



US00D863856S

(12) **United States Design Patent** (10) **Patent No.:** **US D863,856 S**
Webster et al. (45) **Date of Patent:** **** *Oct. 22, 2019**

(54) **SPLIT TANK FAUCETS MULTIPLE COMPARTMENT DECANTER**

(71) Applicants: **Joseph P Webster**, St. Charles, MO (US); **Krank W Krockenberger**, St. Louis, MO (US)

(72) Inventors: **Joseph P Webster**, St. Charles, MO (US); **Krank W Krockenberger**, St. Louis, MO (US)

(73) Assignee: **NEWCO ENTERPRISES, INC.**, St. Charles, MO (US)

(*) Notice: This patent is subject to a terminal disclaimer.

(**) Term: **15 Years**

(21) Appl. No.: **29/505,443**

(22) Filed: **Oct. 30, 2015**

Related U.S. Application Data

(63) Continuation-in-part of application No. 14/756,042, filed on Jul. 24, 2015, and a continuation-in-part of application No. 12/927,014, filed on Nov. 4, 2010, now abandoned.

(51) **LOC (12) Cl.** **07-01**

(52) **U.S. Cl.**
USPC **D7/307; D7/308; D7/313**

(58) **Field of Classification Search**
USPC **D7/301, 306-308, 313, 300; D23/207; 99/275, 279; 222/146.1-146.6, 185.1**
CPC **B67D 1/00; B67D 3/0009; B67D 1/0835; B67D 1/14; A47J 31/007**

See application file for complete search history.

(56) **References Cited**

U.S. PATENT DOCUMENTS

912,281	A *	2/1909	Brunner et al.	B67D 3/0009
				165/140
3,971,304	A *	7/1976	Cvitkovich	A47J 31/50
				99/291
D380,641	S *	7/1997	Randle	D7/306
5,890,629	A *	4/1999	Loew	B67D 3/0009
				222/144
D412,262	S *	7/1999	Roundtree	D7/307
D459,936	S *	7/2002	Woebcke	D7/307
7,128,230	B2 *	10/2006	Jacobson	A47J 31/50
				206/508
D531,444	S *	11/2006	Ohashi	D7/306
D632,919	S *	2/2011	Sang-Ho	D7/306
7,926,413	B2 *	4/2011	Hart	A47J 31/4403
				222/108
D655,124	S *	3/2012	Schenk	D7/307

* cited by examiner

Primary Examiner — Marianne Pandozzi

(74) *Attorney, Agent, or Firm* — Paul M Denk

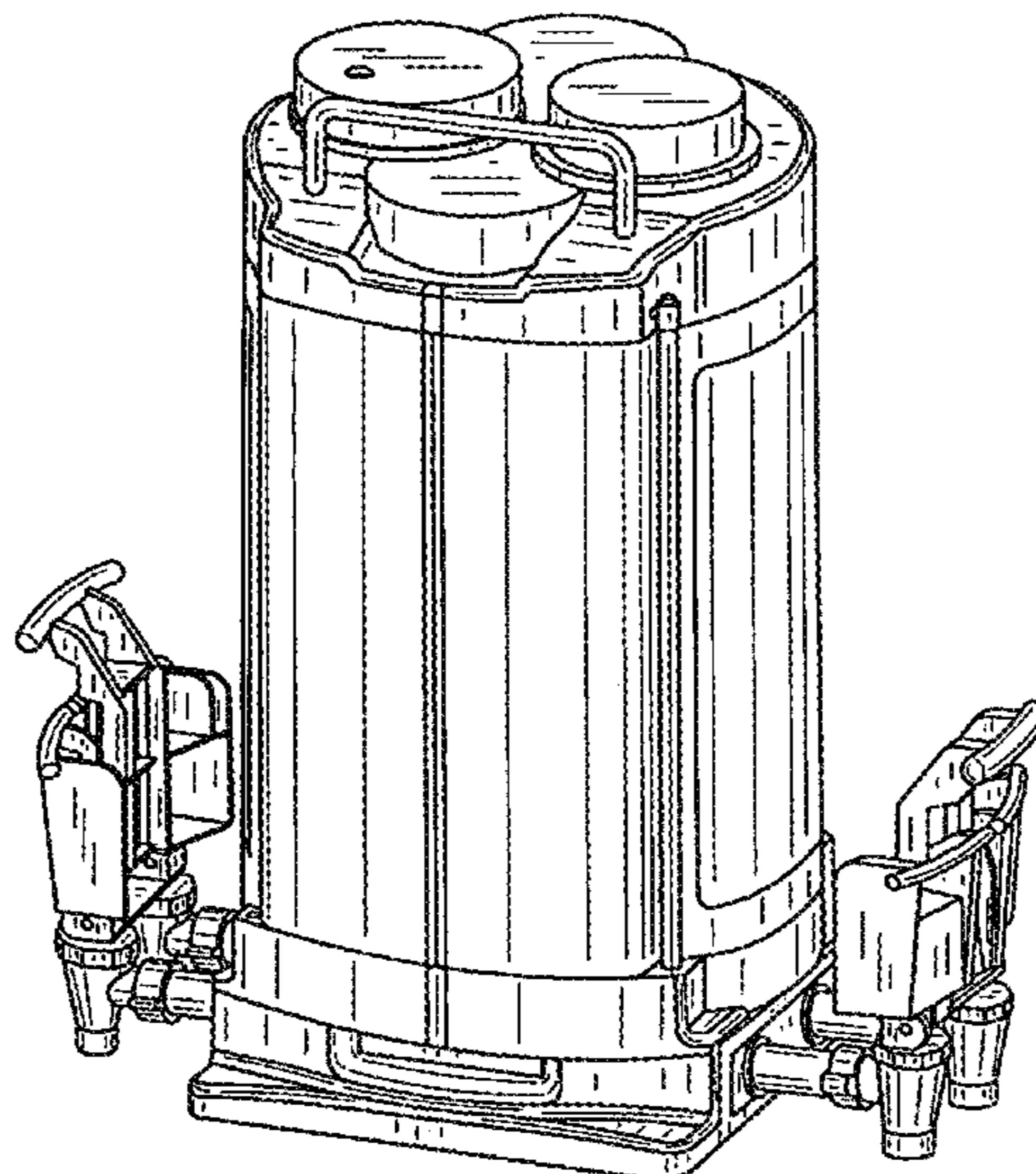
(57) **CLAIM**

The ornamental design for the split tank faucets multiple compartment decanter, as shown and described.

DESCRIPTION

FIG. 1 is a top perspective view of a split tank faucets multiple compartment decanter showing our new design; FIG. 2 is a front view; FIG. 3 is a rear view; FIG. 4 is a left side view; FIG. 5 is a right side view; FIG. 6 is a top plan view; and, FIG. 7 is a bottom view.

1 Claim, 4 Drawing Sheets



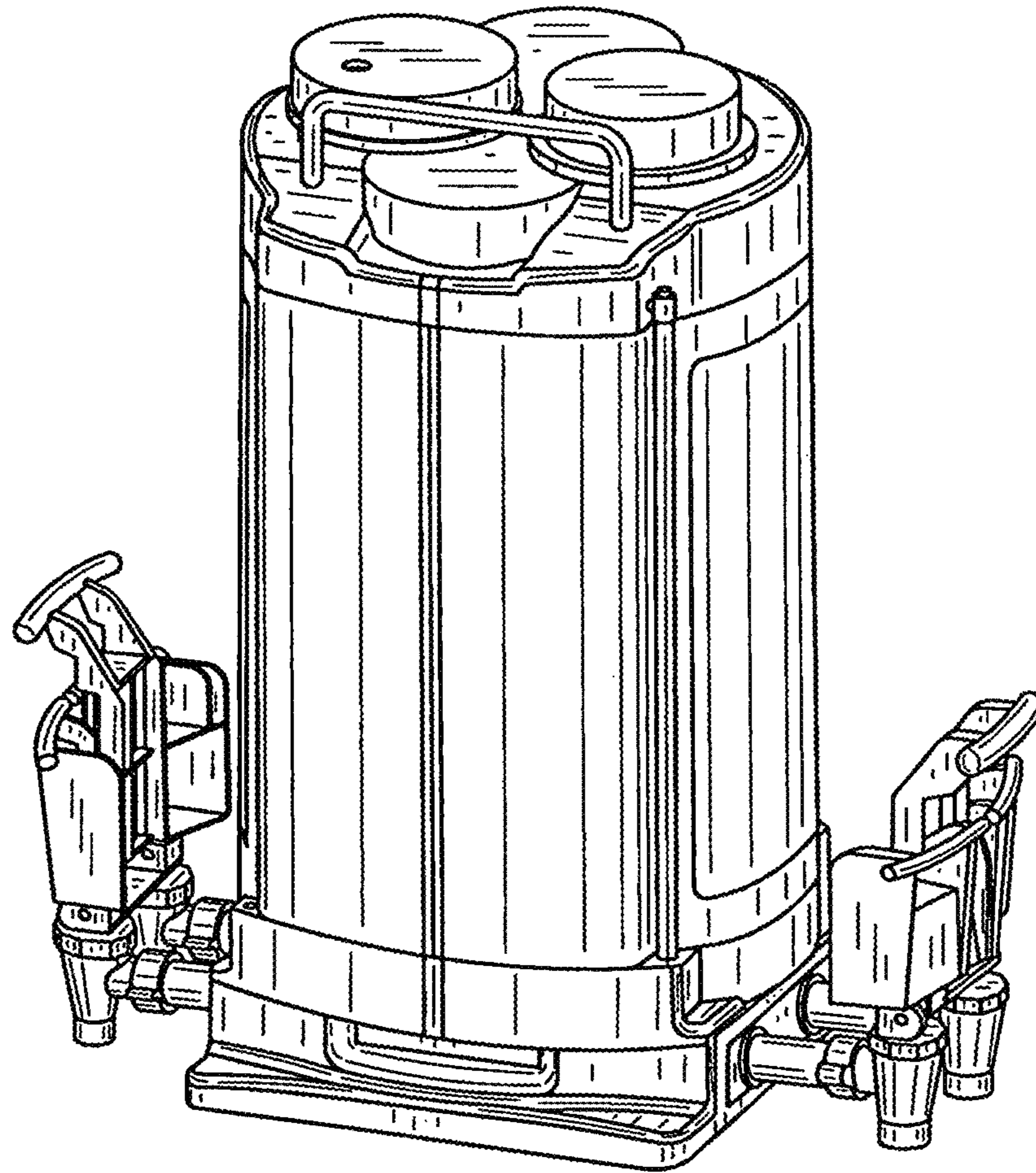


FIG. 1

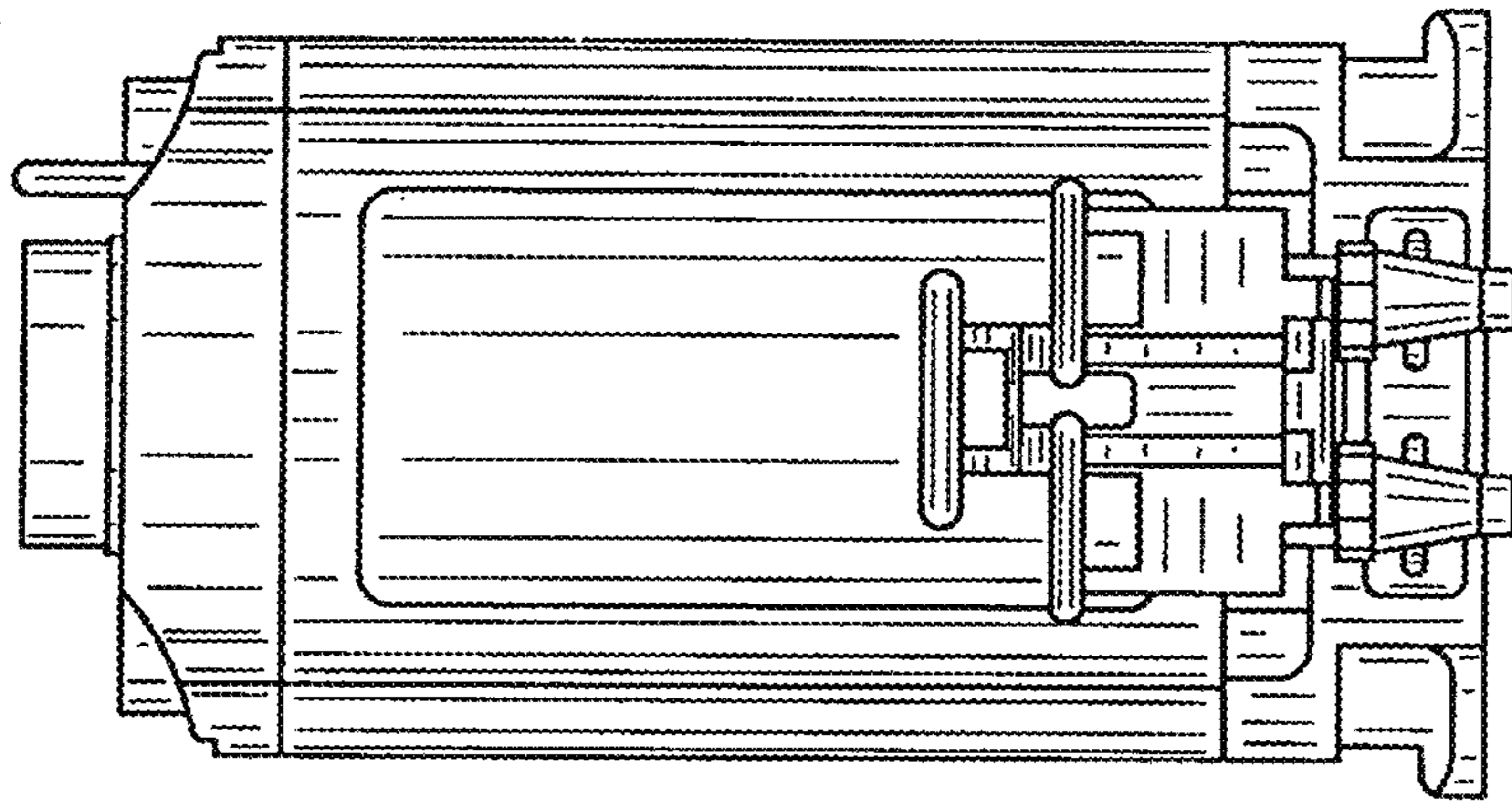


FIG. 3

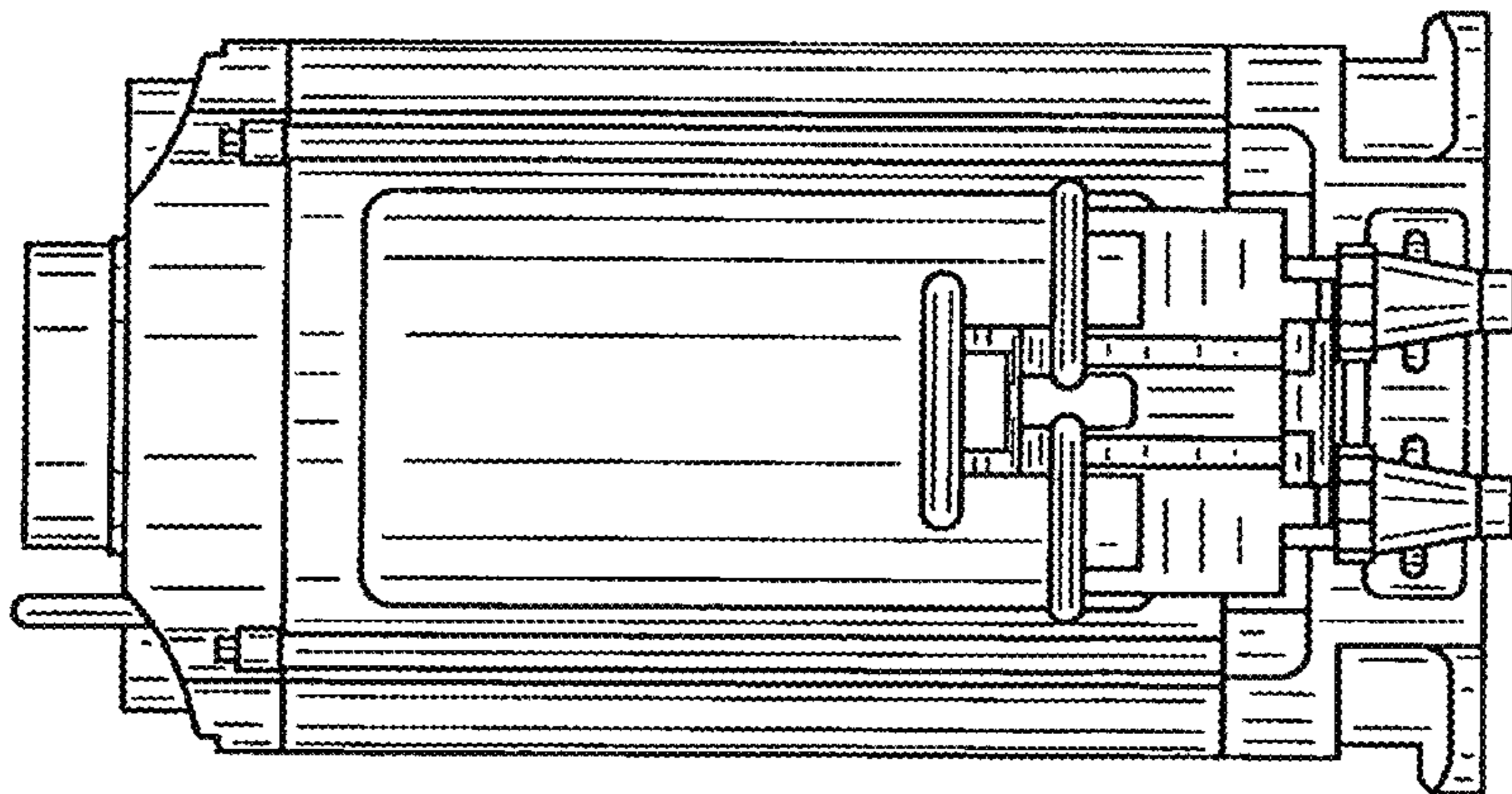


FIG. 2

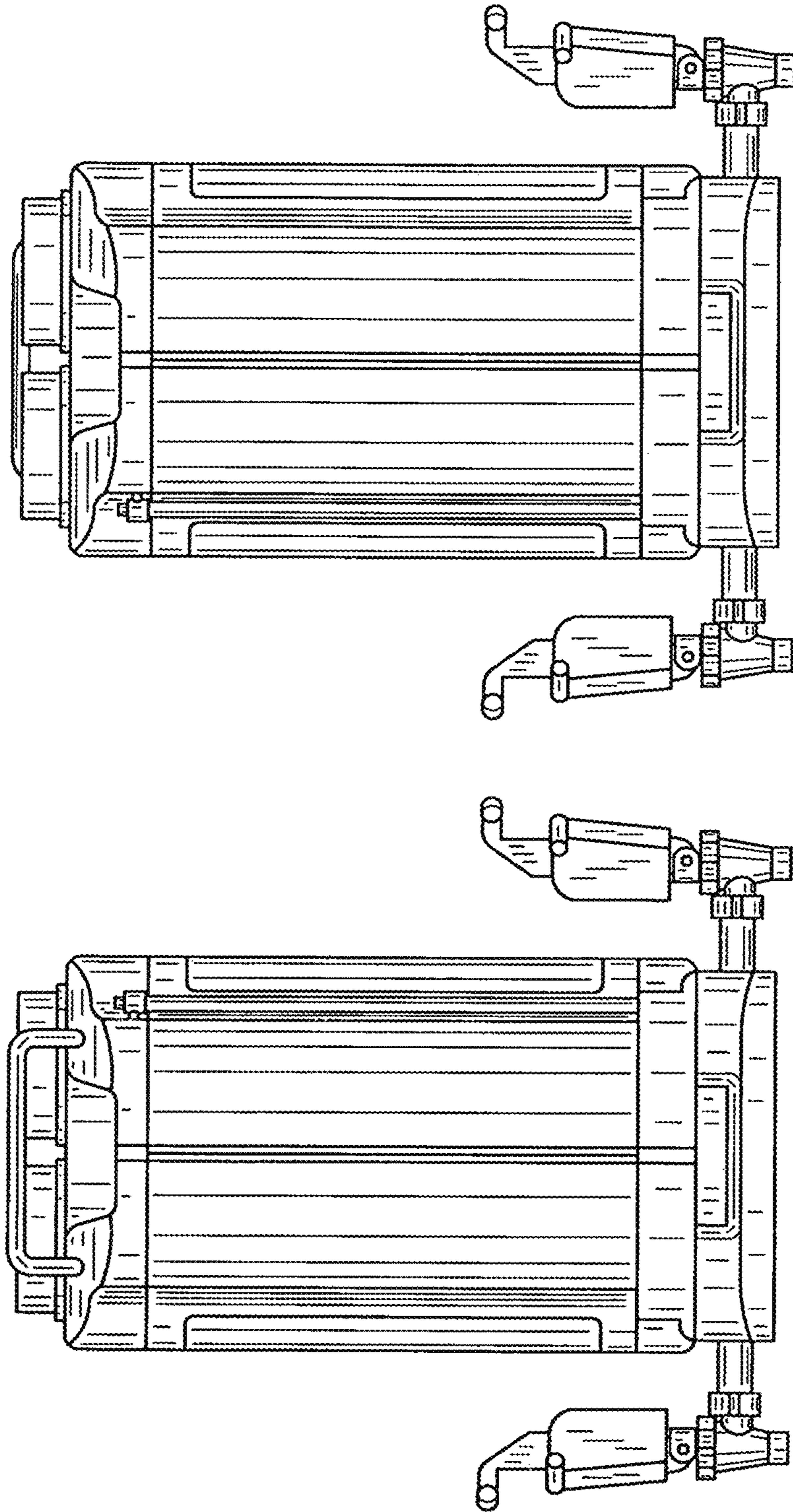


FIG. 5

FIG. 4

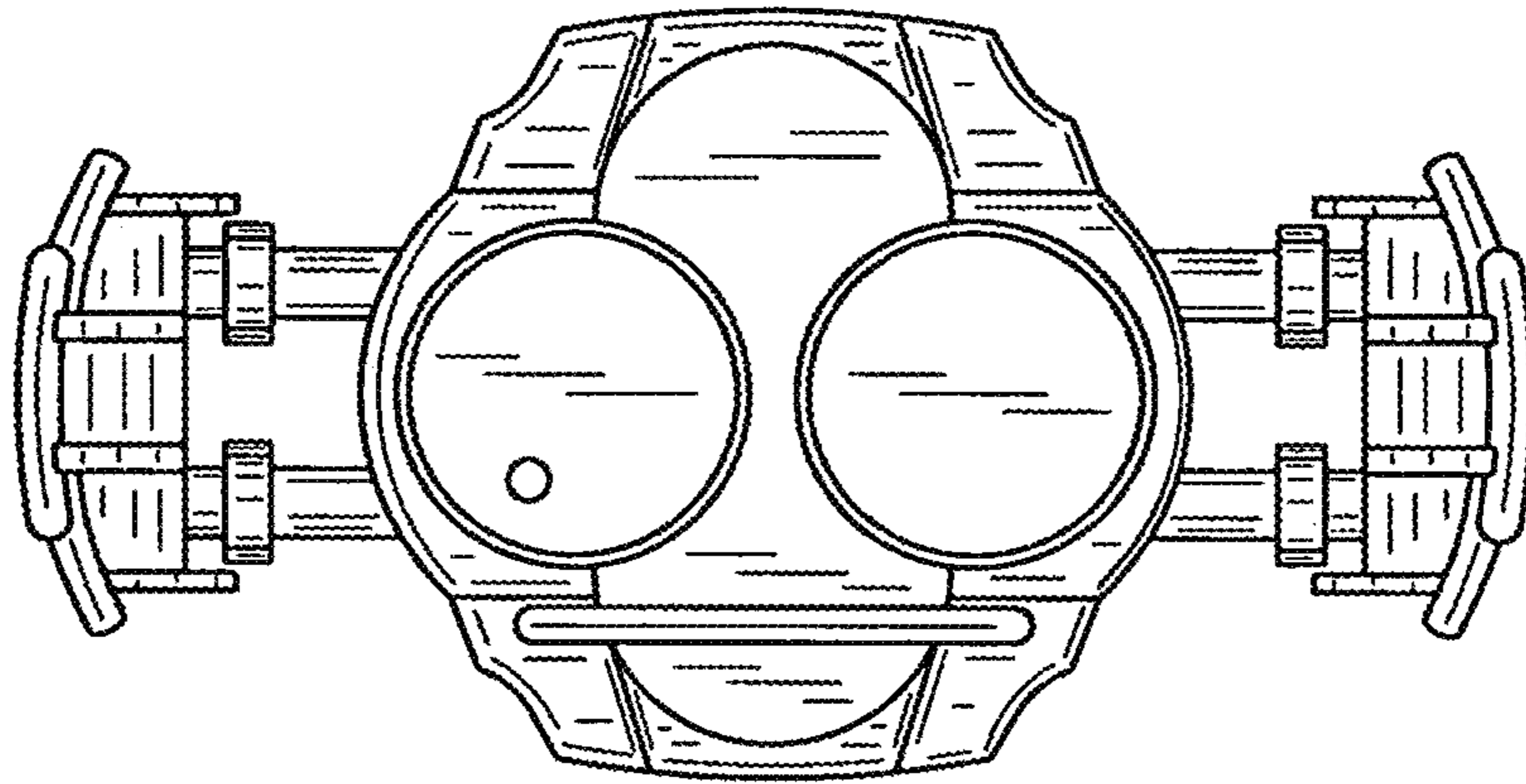


FIG. 6

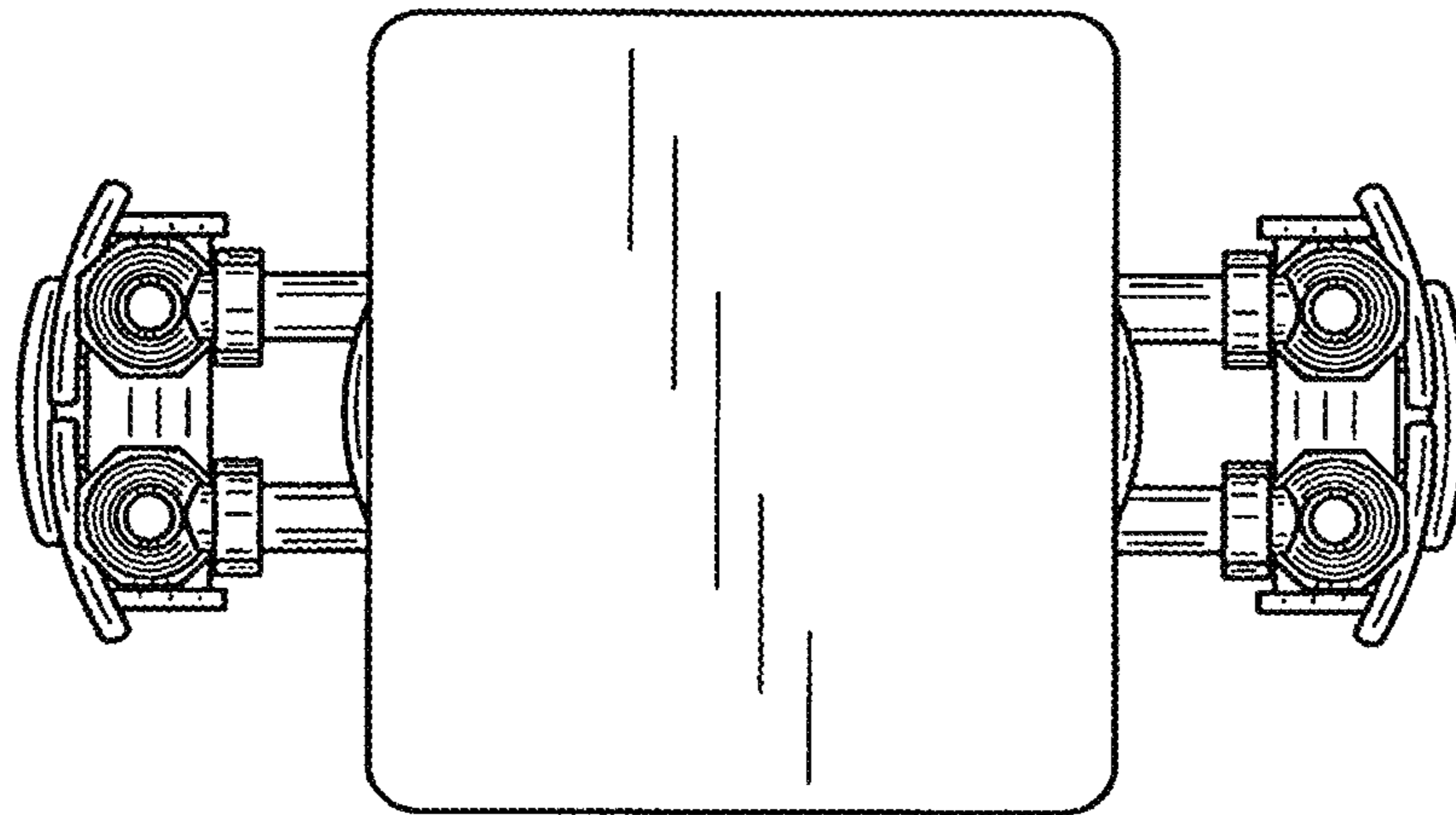


FIG. 7