



US00D863855S

(12) **United States Design Patent** (10) **Patent No.:** **US D863,855 S**
van Oord et al. (45) **Date of Patent:** **** *Oct. 22, 2019**

(54) **DRINK MAKING MACHINE**
(71) Applicant: **MiniBrew Holding B.V.**, Utrecht (NL)
(72) Inventors: **Olivier van Oord**, Utrecht (NL); **Bart van de Kooij**, Utrecht (NL)
(73) Assignee: **Minibrew Holding B.V.**, Utrecht (NL)
(*) Notice: This patent is subject to a terminal disclaimer.
(**) Term: **15 Years**

D543,771 S * 6/2007 Julemont D7/309
D628,007 S * 11/2010 Di Bitonto D7/309
D633,747 S * 3/2011 De Pra D7/309
D677,510 S * 3/2013 Tetreault D7/309
D700,607 S * 3/2014 Cederstrom D14/420
D726,483 S * 4/2015 Lin D7/309
D728,988 S * 5/2015 Warburton D7/306
9,032,866 B2 * 5/2015 White A47J 31/04
99/280
D760,529 S * 7/2016 Hakansson D7/306
D775,887 S * 1/2017 Atkin D7/306
D788,510 S * 6/2017 Steiner D7/306
D793,146 S * 8/2017 Palermo D7/306

* cited by examiner

(21) Appl. No.: **29/571,560**
(22) Filed: **Jul. 19, 2016**

Primary Examiner — Marianne N Pandozzi
(74) *Attorney, Agent, or Firm* — Miller & Martin PLLC

(30) **Foreign Application Priority Data**
Jan. 20, 2016 (EM) 002951293-0001
(51) **LOC (12) Cl.** **07-01**
(52) **U.S. Cl.**
USPC **D7/306; D7/311; D7/310**
(58) **Field of Classification Search**
USPC D7/306–311; 99/295
CPC A47J 31/3614; A47J 31/4403
See application file for complete search history.

(57) **CLAIM**

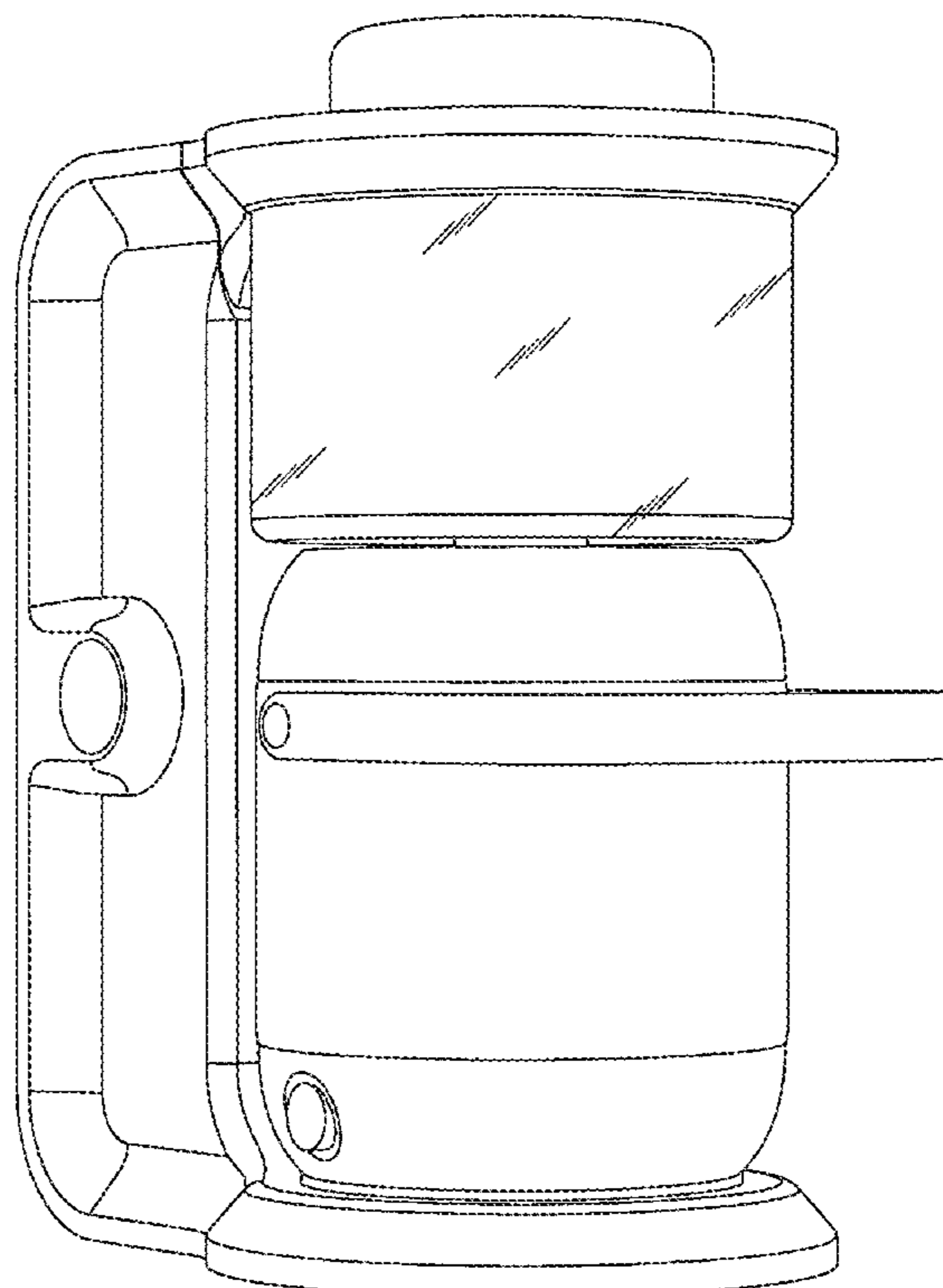
The ornamental design for a drink making machine, as shown and described.

(56) **References Cited**
U.S. PATENT DOCUMENTS
D489,217 S * 5/2004 Seum D7/309
D541,097 S * 4/2007 Leverrier D7/300

DESCRIPTION

FIG. 1 is a front left perspective view of a drink making machine showing my new design;
FIG. 2 is a right side view thereof;
FIG. 3 is a right side perspective view thereof;
FIG. 4 is a rear top left perspective view thereof;
FIG. 5 is a front bottom left side perspective view; and,
FIG. 6 is a rear bottom left side perspective view thereof.

1 Claim, 6 Drawing Sheets



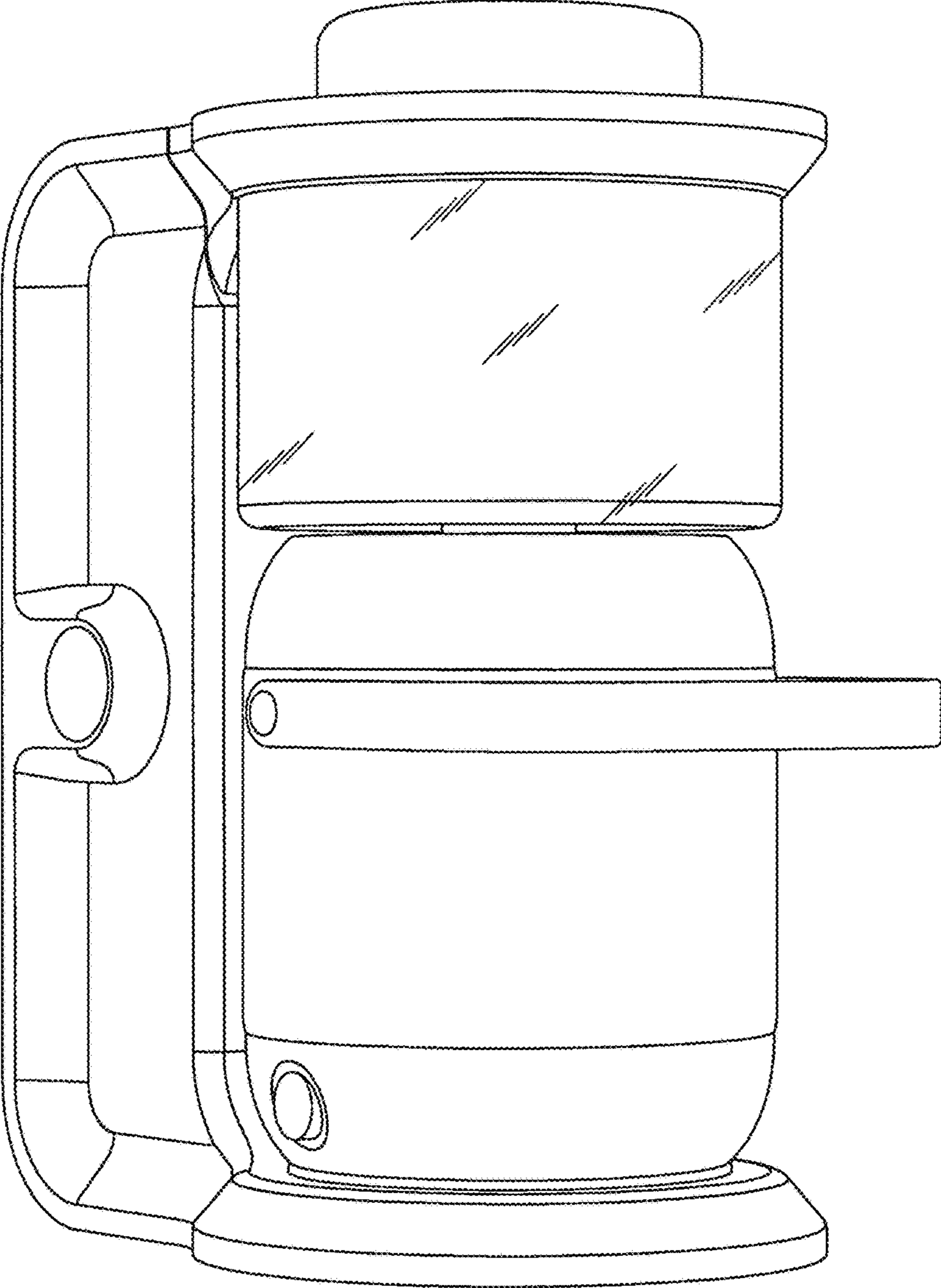


FIG. 1

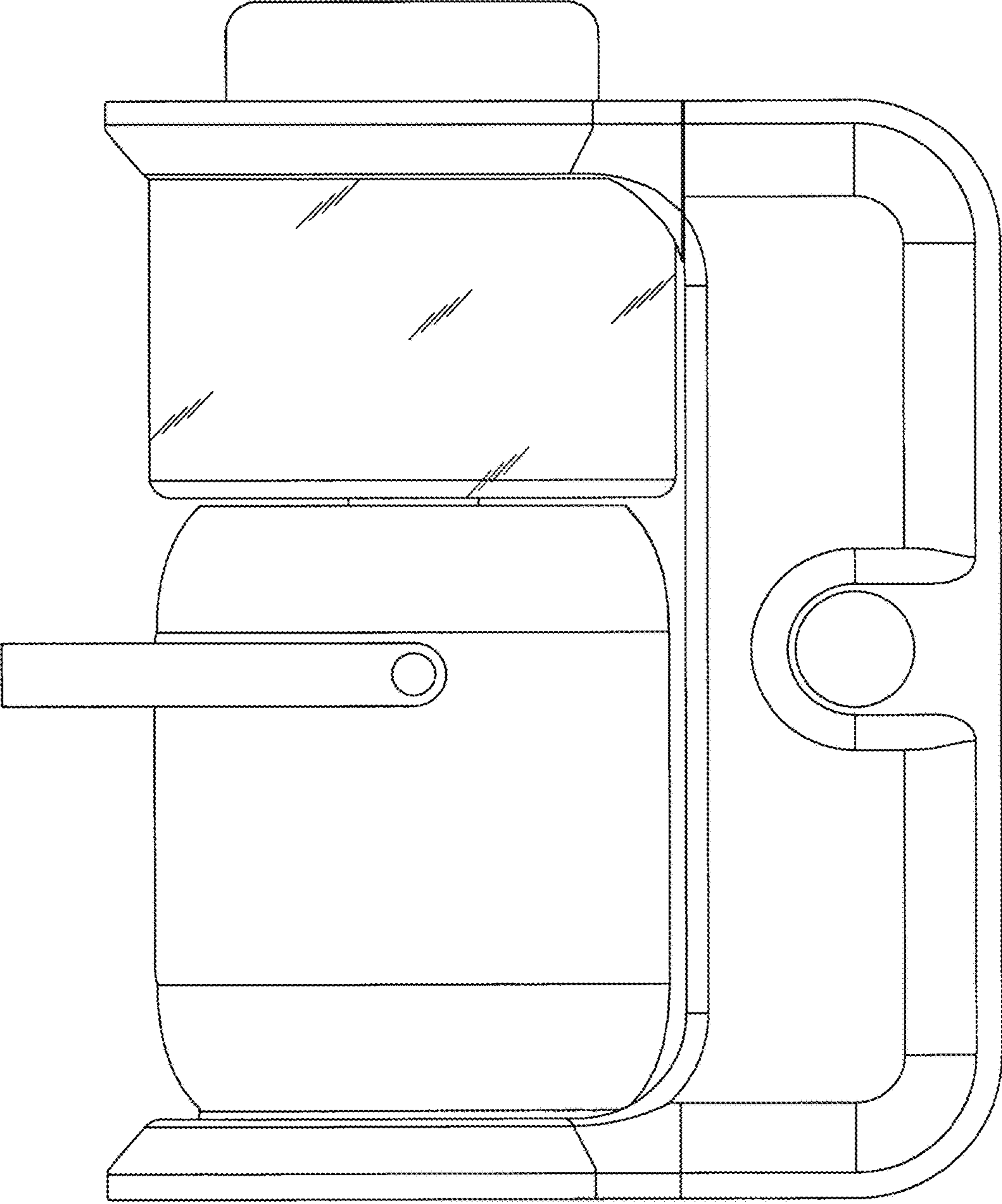


FIG. 2

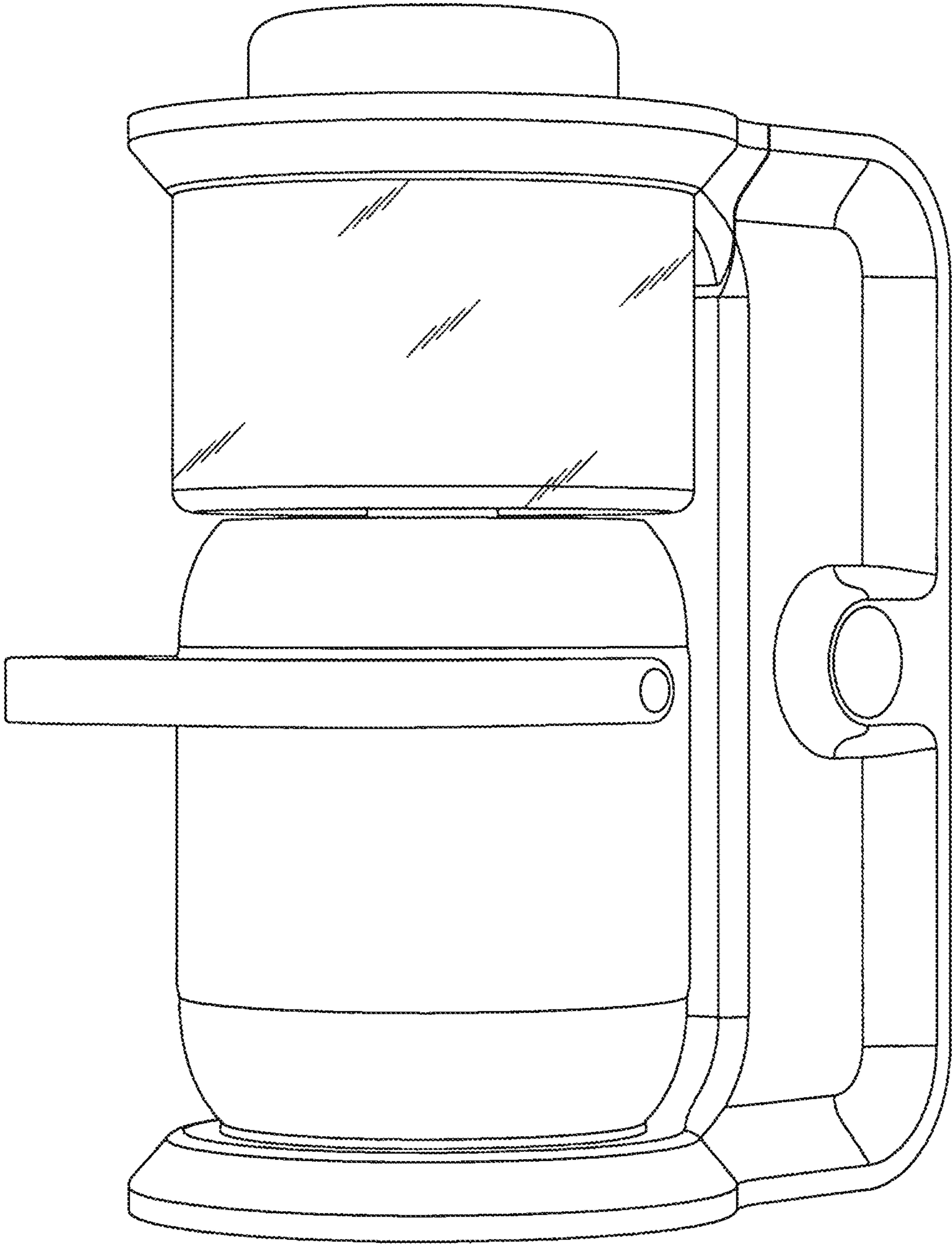


FIG. 3

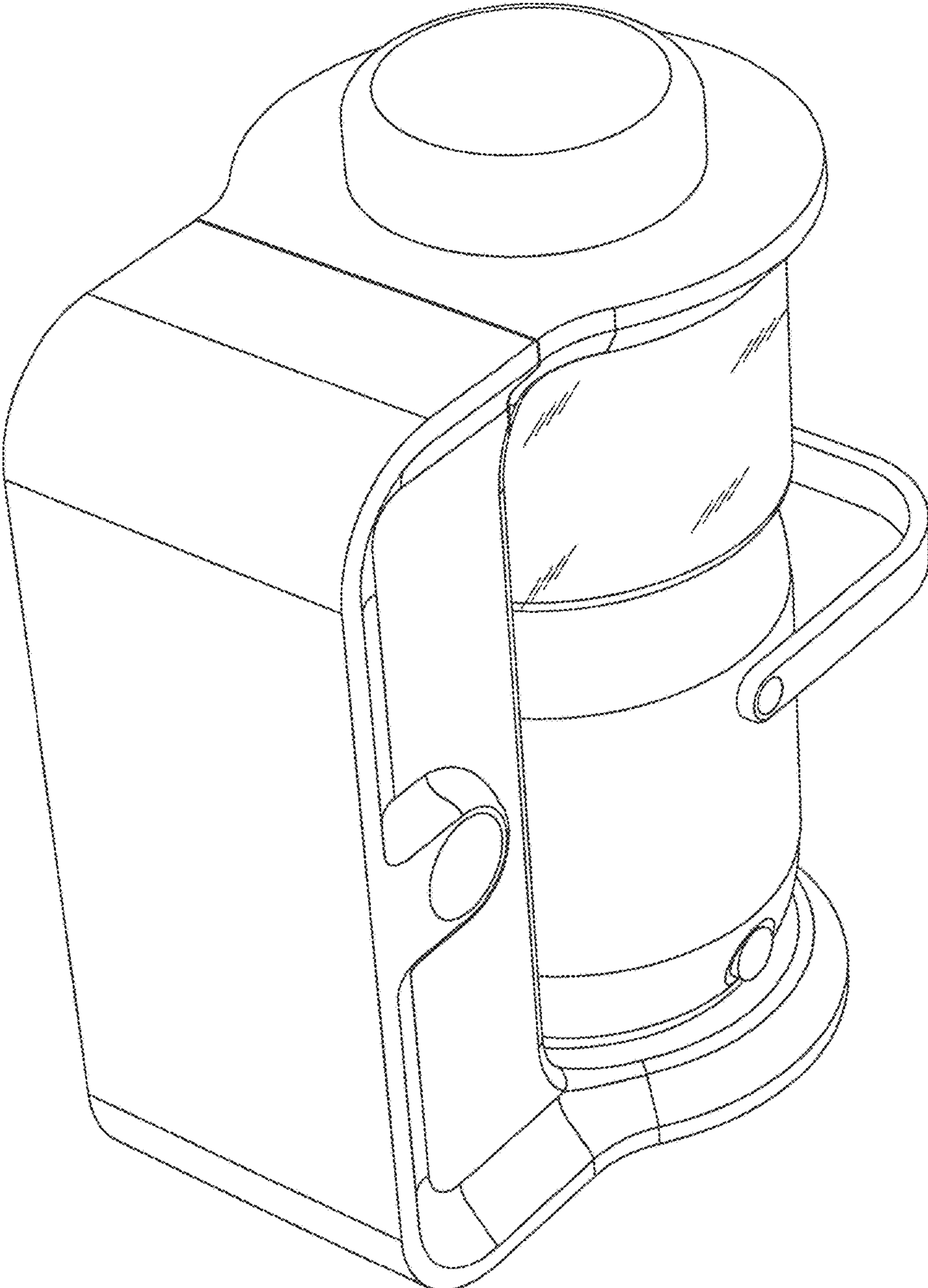


FIG. 4

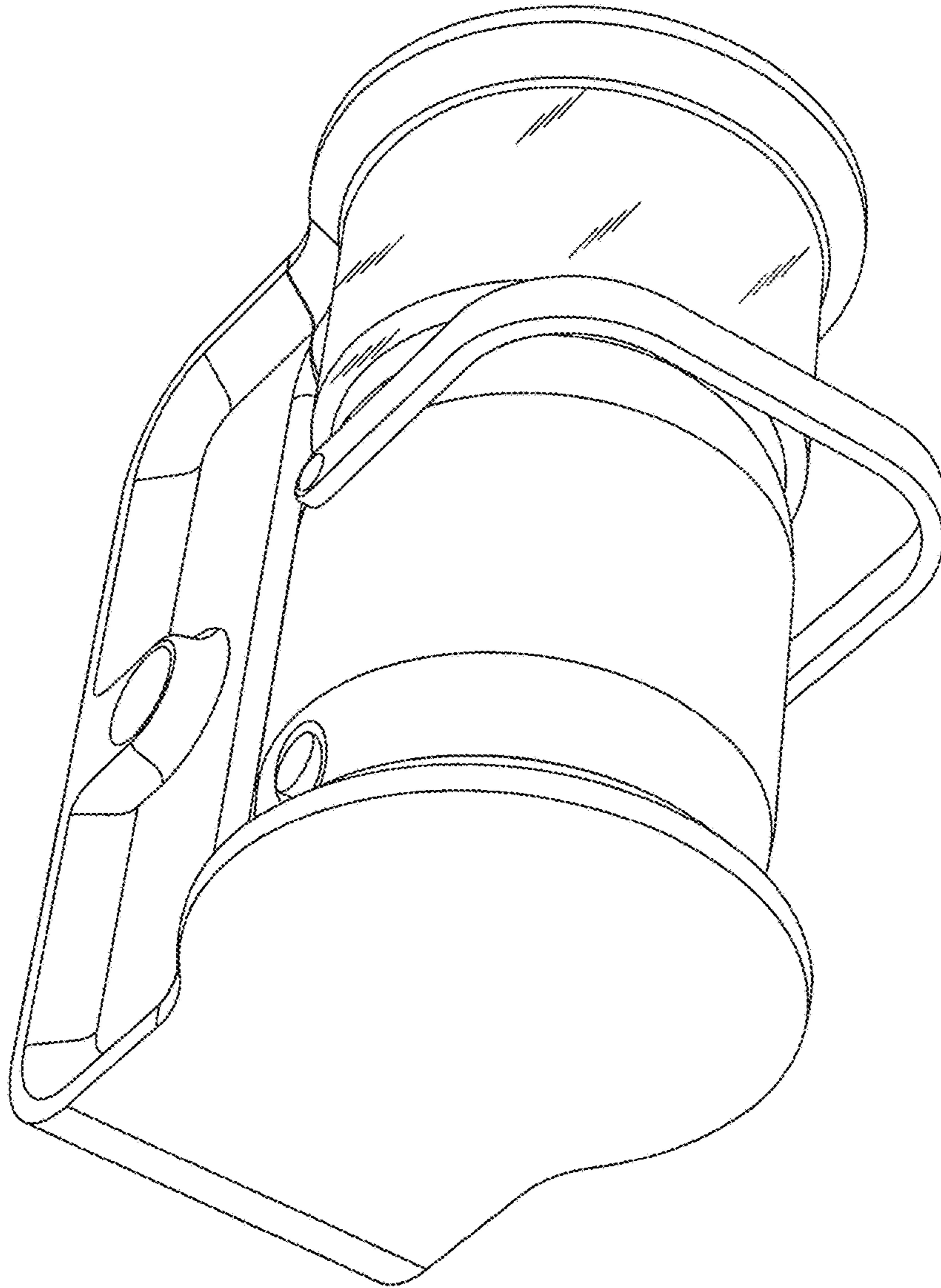


FIG. 5

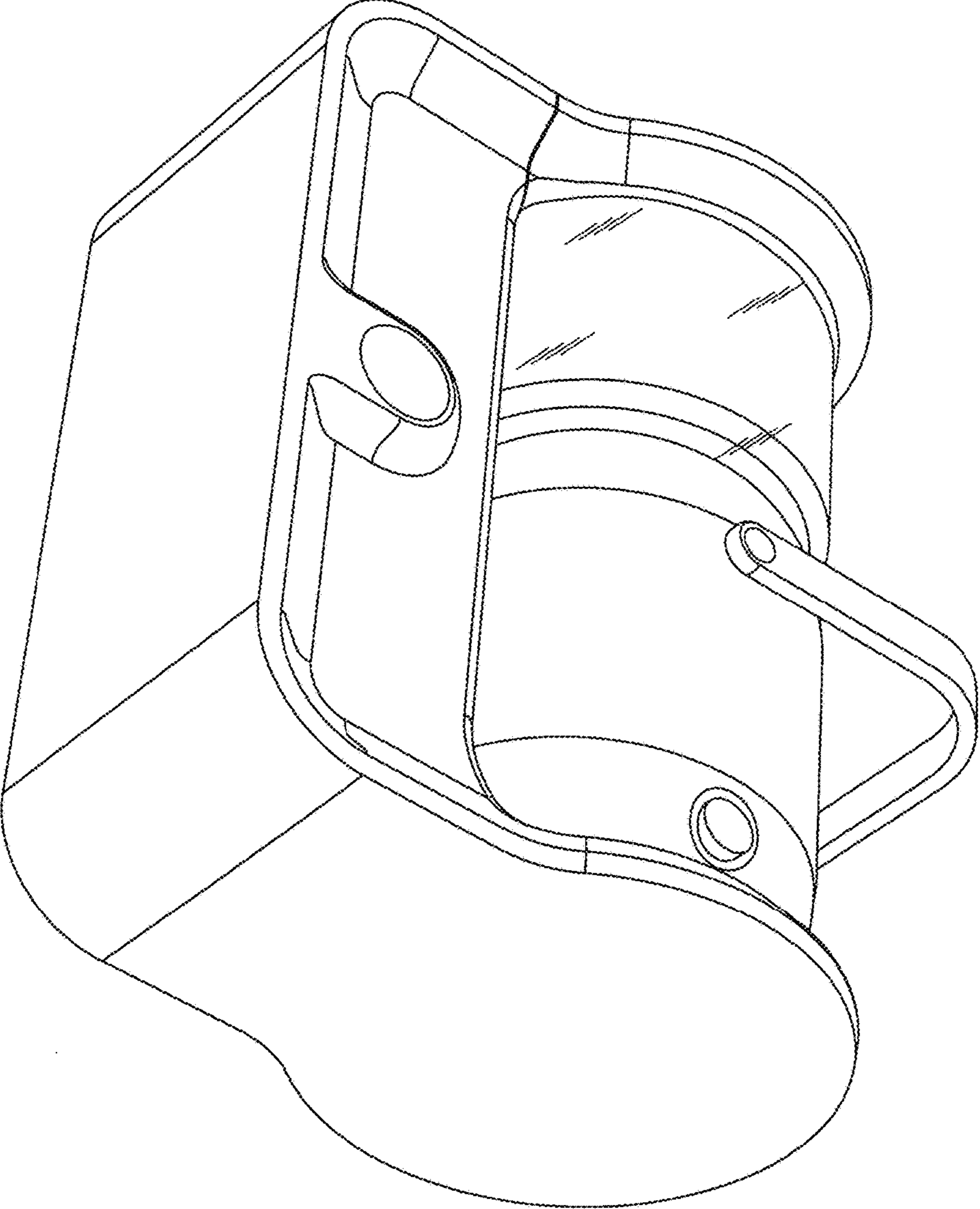


FIG. 6