



US00D863854S

(12) **United States Design Patent** (10) **Patent No.:** **US D863,854 S**
Ostwald et al. (45) **Date of Patent:** **** Oct. 22, 2019**

(54) **CHAIR FRAME**

(71) Applicant: **aeris GmbH**, Haar bei München (DE)

(72) Inventors: **Andreas Ostwald**, Haar bei München (DE); **Dietlind Walger-Hutter**, Haar bei München (DE)

(73) Assignee: **AERIS GMBH**, Haar bei München (DE)

(**) Term: **15 Years**

(21) Appl. No.: **29/614,663**

(22) Filed: **Aug. 22, 2017**

(30) **Foreign Application Priority Data**

Feb. 22, 2017 (EP) 003762038-0001
Feb. 22, 2017 (EP) 003762038-0002
Feb. 22, 2017 (EP) 003762038-0004

(51) **LOC (12) Cl.** **06-01**

(52) **U.S. Cl.**
USPC **D6/708.16**

(58) **Field of Classification Search**
USPC D6/334-336, 364, 365, 366, 371, 372, D6/373, 374, 375, 376, 379, 380, 716, D6/716.1, 716.2, 716.4, 708.16, 708.23, D6/709, 709.2
CPC A47C 3/04; A47C 4/02; A47C 4/03; A47C 5/04; A47C 5/06; A47C 5/12; A47C 7/16
See application file for complete search history.

(56) **References Cited**

U.S. PATENT DOCUMENTS

D181,676 S	*	12/1957	Ristenpart	D6/373
D383,913 S	*	9/1997	Ahlstrom	D6/708.16
D547,562 S	*	7/2007	Su	D6/373
D549,479 S	*	8/2007	Su	D6/373
D555,926 S	*	11/2007	Williams	D6/373
D564,248 S	*	3/2008	Alter Molina	D6/373
D600,464 S	*	9/2009	Olano Jauregui	D6/373
D669,699 S	*	10/2012	Stierli	D6/373
D677,082 S	*	3/2013	Kemnitzer	D6/708.16
D727,649 S	*	4/2015	Ye	D6/373
D728,253 S	*	5/2015	Lievore	D6/373
D802,321 S	*	11/2017	Martinez	D6/373
D825,215 S	*	8/2018	Olofsson	D6/373

* cited by examiner

Primary Examiner — Mimosa De

(74) *Attorney, Agent, or Firm* — Scully Scott Murphy and Presser

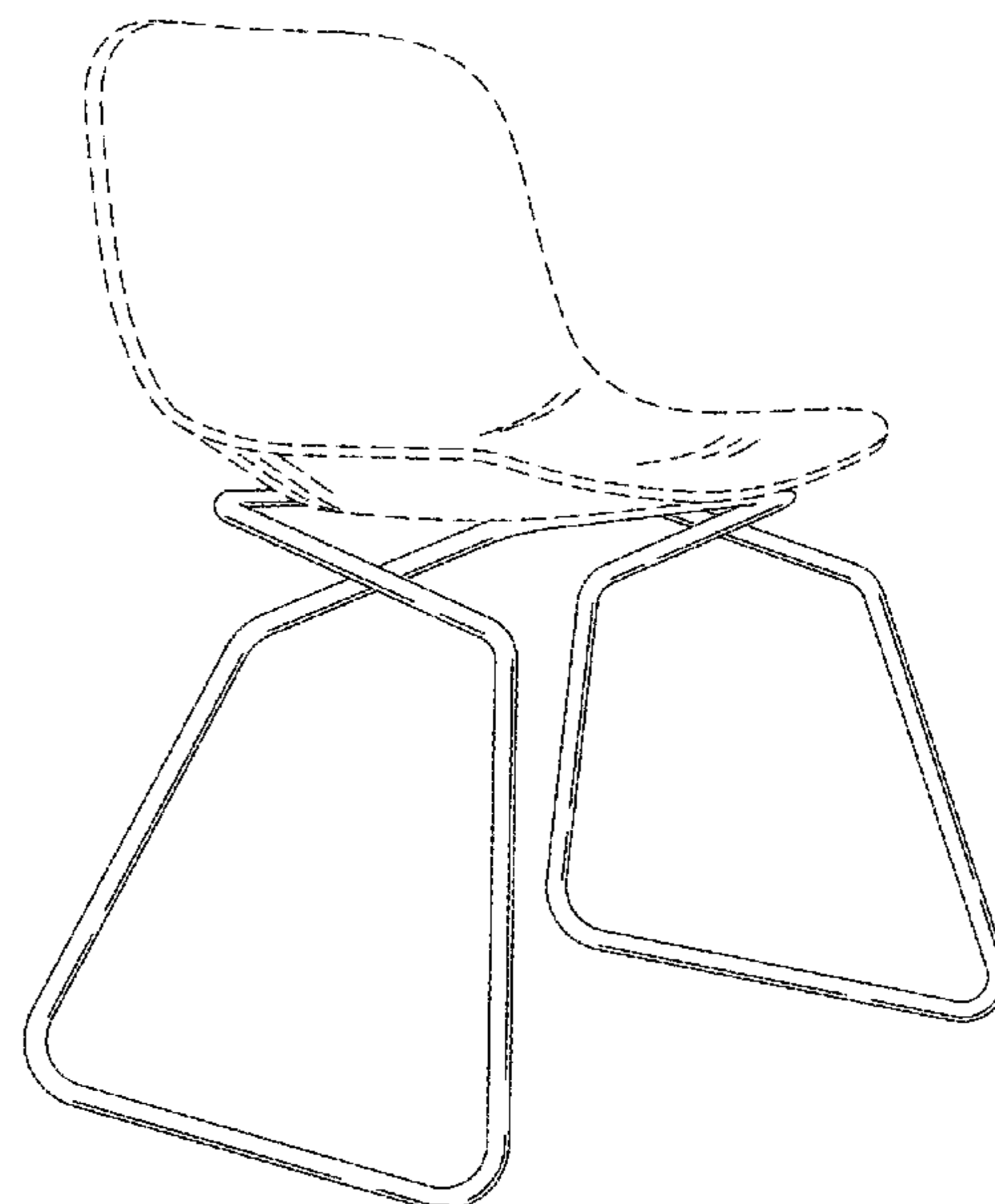
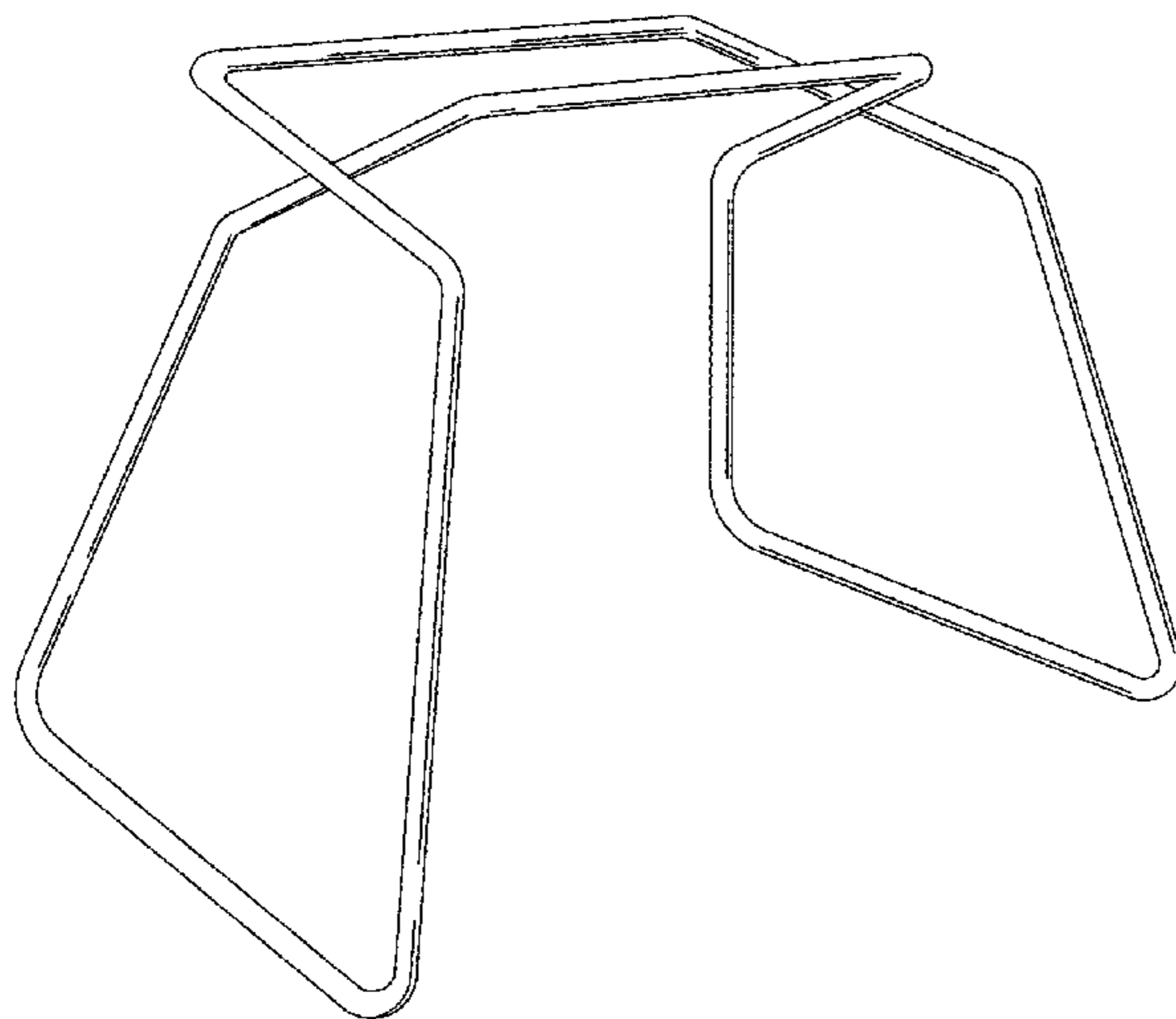
(57) **CLAIM**

The ornamental design for a chair frame, as shown and described.

DESCRIPTION

FIG. 1 is a perspective view of a chair frame showing our new design; FIG. 2 is an alternative perspective view of FIG. 1; and, FIG. 3 is another alternative perspective view of FIG. 1. In the drawings, the dashed lines depict portions of the chair frame, which are environment and form no part of the claimed design; the discontinuous long dashes are shading.

1 Claim, 2 Drawing Sheets



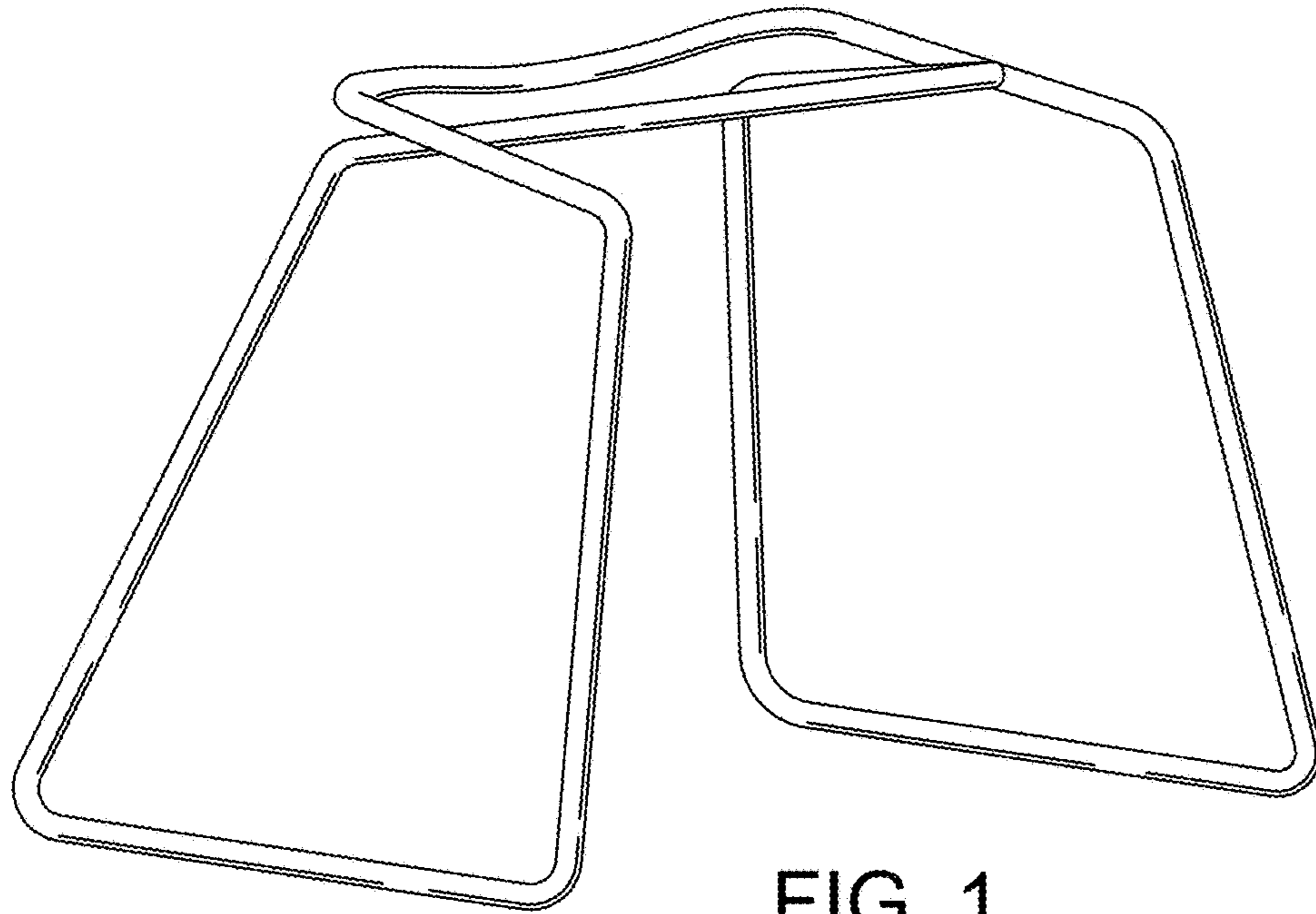


FIG. 1

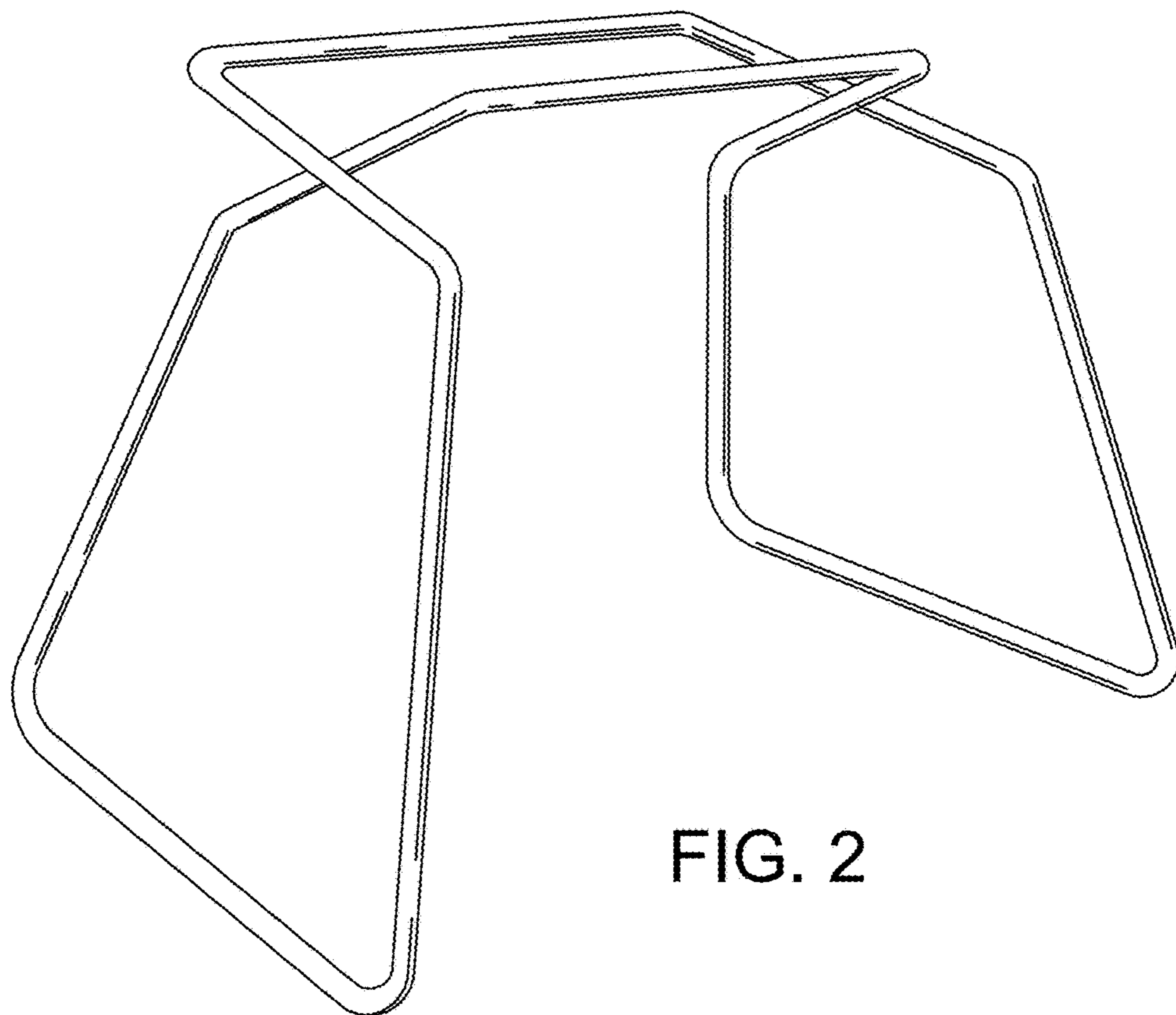


FIG. 2

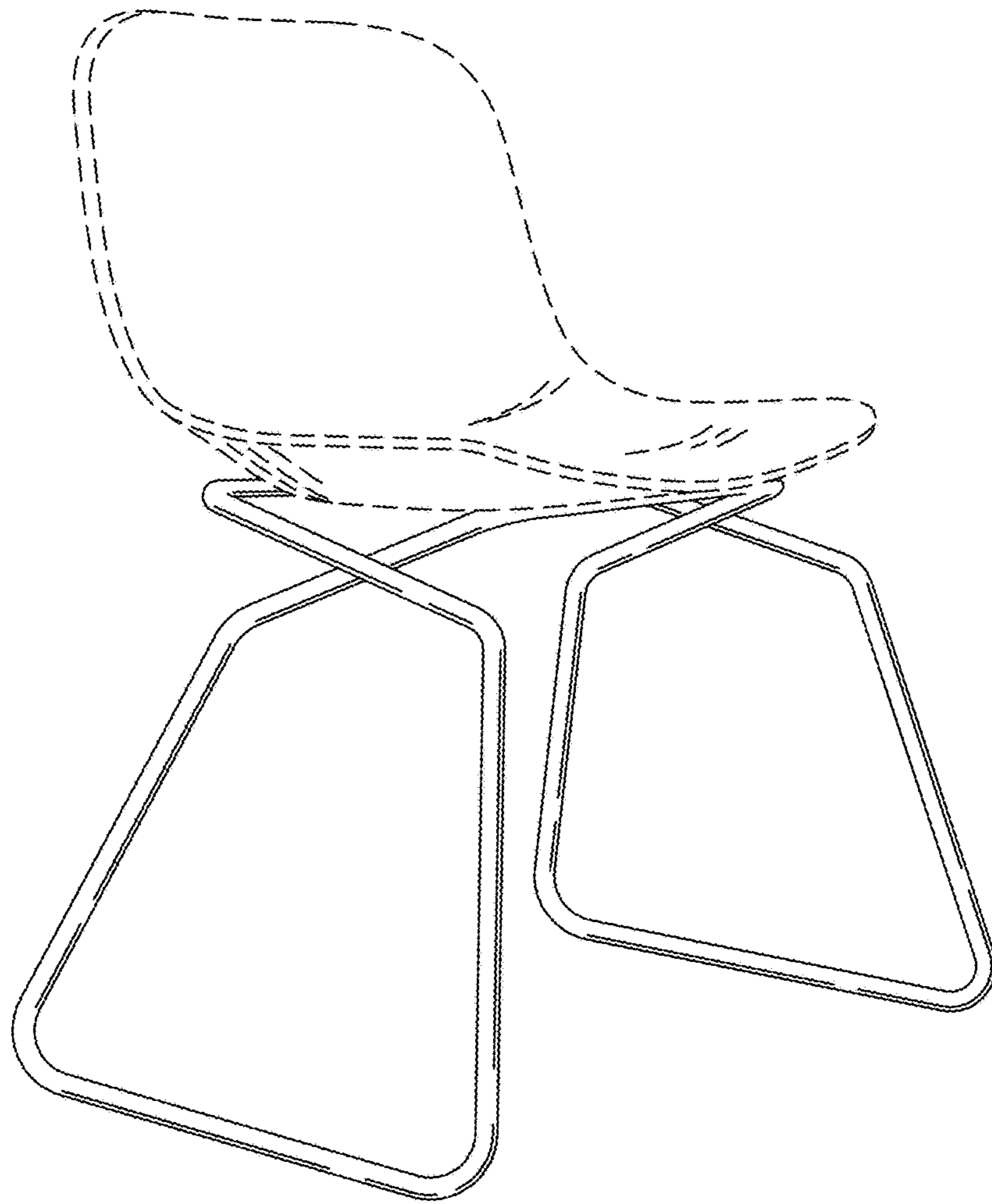


FIG. 3