



US00D863852S

(12) **United States Design Patent** (10) **Patent No.:** **US D863,852 S**
Lizotte (45) **Date of Patent:** **** Oct. 22, 2019**

(54) **SERVICE DESK**
(71) Applicant: **ROUSSEAU MÉTAL INC.**, Quebec (CA)
(72) Inventor: **Gerry Lizotte**, Quebec (CA)
(73) Assignee: **ROUSSEAU MÉTAL INC.**, Quebec (CA)
(**) Term: **15 Years**

D676,587 S * 2/2013 Fisher D26/58
D684,800 S * 6/2013 Johnson D6/699
D730,658 S * 6/2015 Dillon D6/643
D743,716 S * 11/2015 Dillon D6/643
2002/0043907 A1* 4/2002 Picogna A47B 37/02
312/194
2008/0284292 A1* 11/2008 Castelluccio A47B 85/08
312/107
2009/0127986 A1* 5/2009 Carelsen A47B 21/0073
312/204
2013/0152833 A1* 6/2013 Pfaff A47B 9/14
108/144.11

(21) Appl. No.: **29/610,089**
(22) Filed: **Jul. 10, 2017**
(51) **LOC (12) Cl.** **06-03**
(52) **U.S. Cl.**
USPC **D6/698**
(58) **Field of Classification Search**
USPC D6/641, 644, 647, 649, 650, 651.1,
D6/651.2, 655, 656, 656.16, 658, 691,
D6/692, 692.1-692.6, 695, 695.4, 697.1,
D6/698, 699, 699.4, 702, 703, 705.1, 707,
D6/707.2, 707.22
CPC .. A47B 37/00; A47B 3/00; A47B 1/00; A47B
3/06; A47B 3/08; A47B 7/00; A47B
21/00; A47B 23/00; A47B 25/00; A47B
13/08; A47B 3/083; A47B 3/14; A47B
41/00; A47B 17/00; A47B 3/0809; A47B
3/0812; A47B 2013/026; A47B 2200/03;
A47B 2200/00; A47B 2003/0821; A47C
3/045
See application file for complete search history.

OTHER PUBLICATIONS

Service Desk, posted at Productdesignaward.eu, posted on 2016, site visited Nov. 28, 2018. online, available from internet: <https://www.productdesignaward.eu/winners/hm/2016/22-1529-17/>.*

* cited by examiner

Primary Examiner — Mary Ann Calabrese
Assistant Examiner — Catherine Ho
(74) *Attorney, Agent, or Firm* — Muirhead and Saturnelli, LLC

(57) **CLAIM**

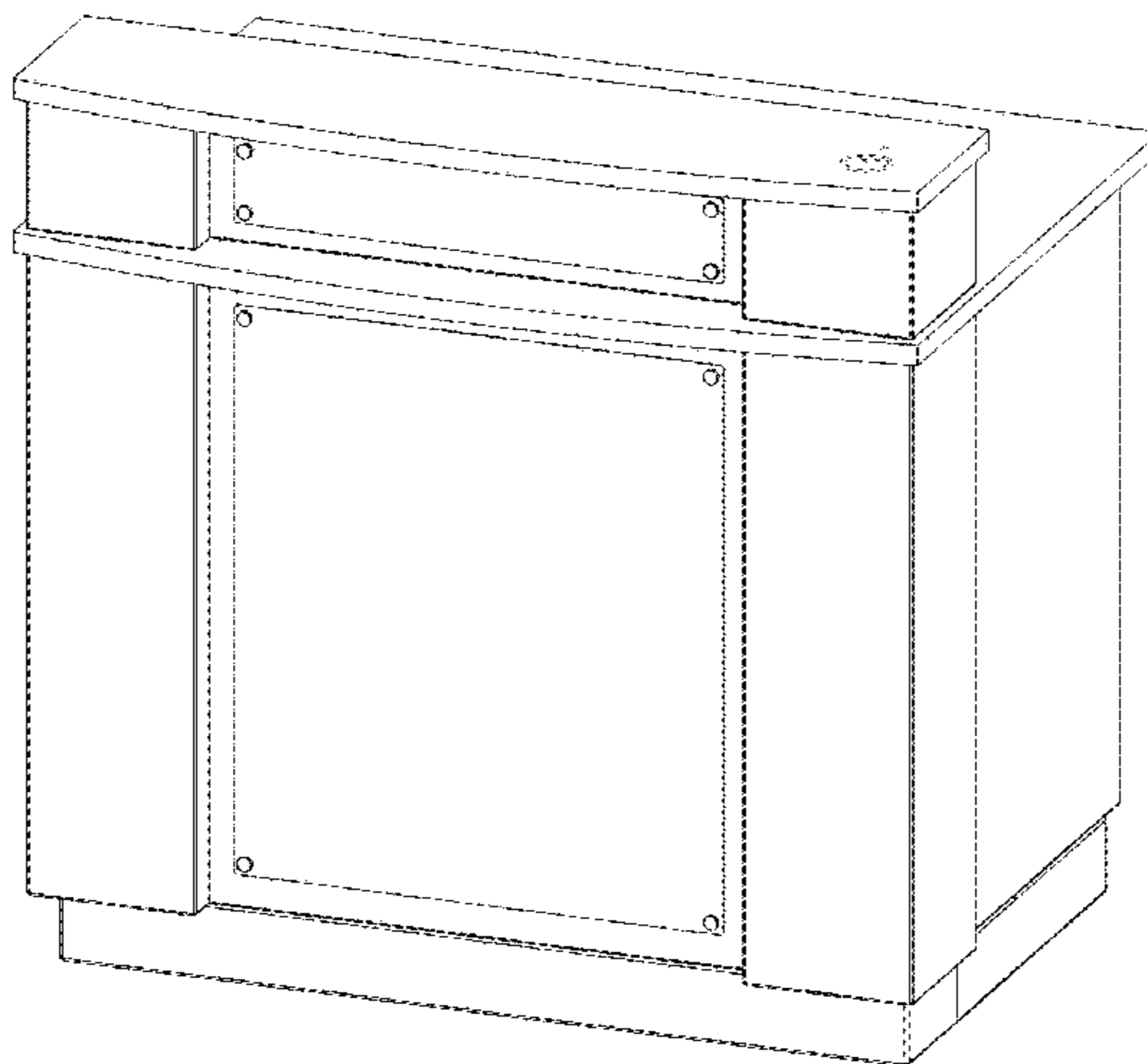
The ornamental design for a service desk, as shown and described.

DESCRIPTION

FIG. 1 is a perspective view of a service desk showing the new design.
FIG. 2 is a front view thereof.
FIG. 3 is a rear view thereof.
FIG. 4 is a left side view thereof.
FIG. 5 is a right side view thereof.
FIG. 6 is a top plan view thereof; and,
FIG. 7 is a bottom plan view thereof.
The broken lines shown represent unclaimed subject matter and form no part of the claimed design.

(56) **References Cited**
U.S. PATENT DOCUMENTS
7,641,294 B1 * 1/2010 Goldberg A47B 17/033
312/196
8,322,291 B2 * 12/2012 Ceballos-Godefroy
A47B 3/10
108/38

1 Claim, 7 Drawing Sheets



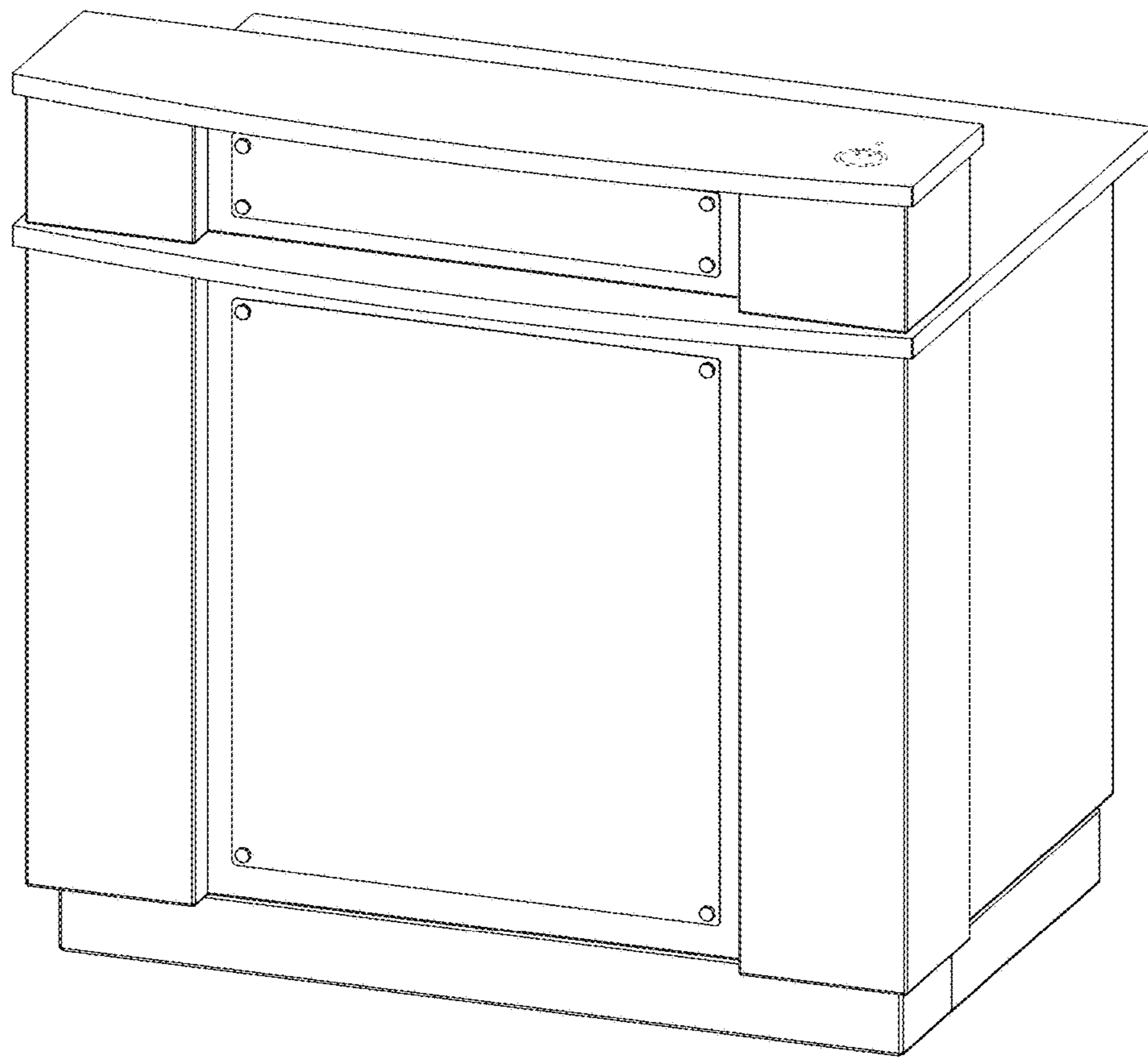


FIG. 1

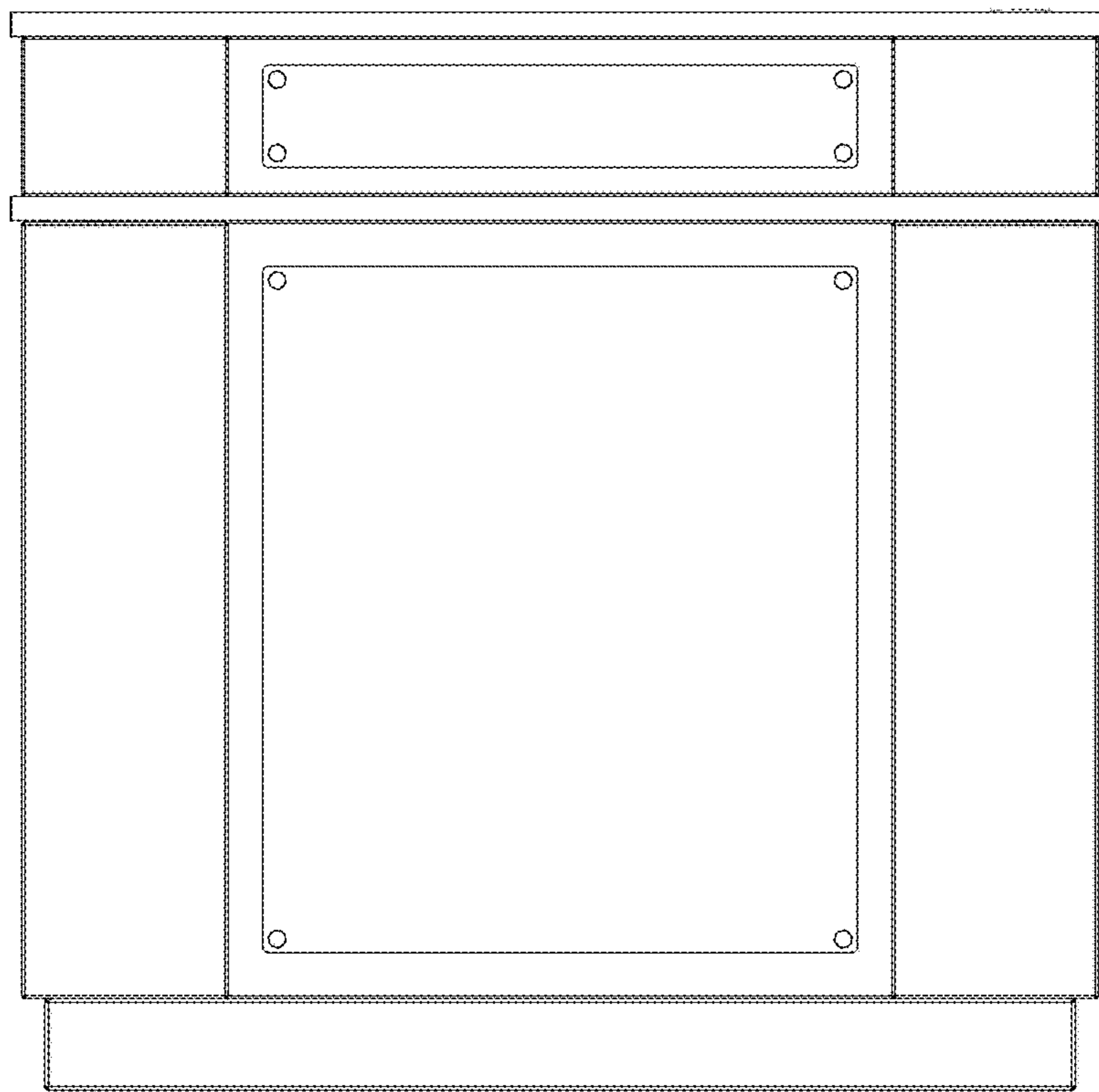


FIG. 2

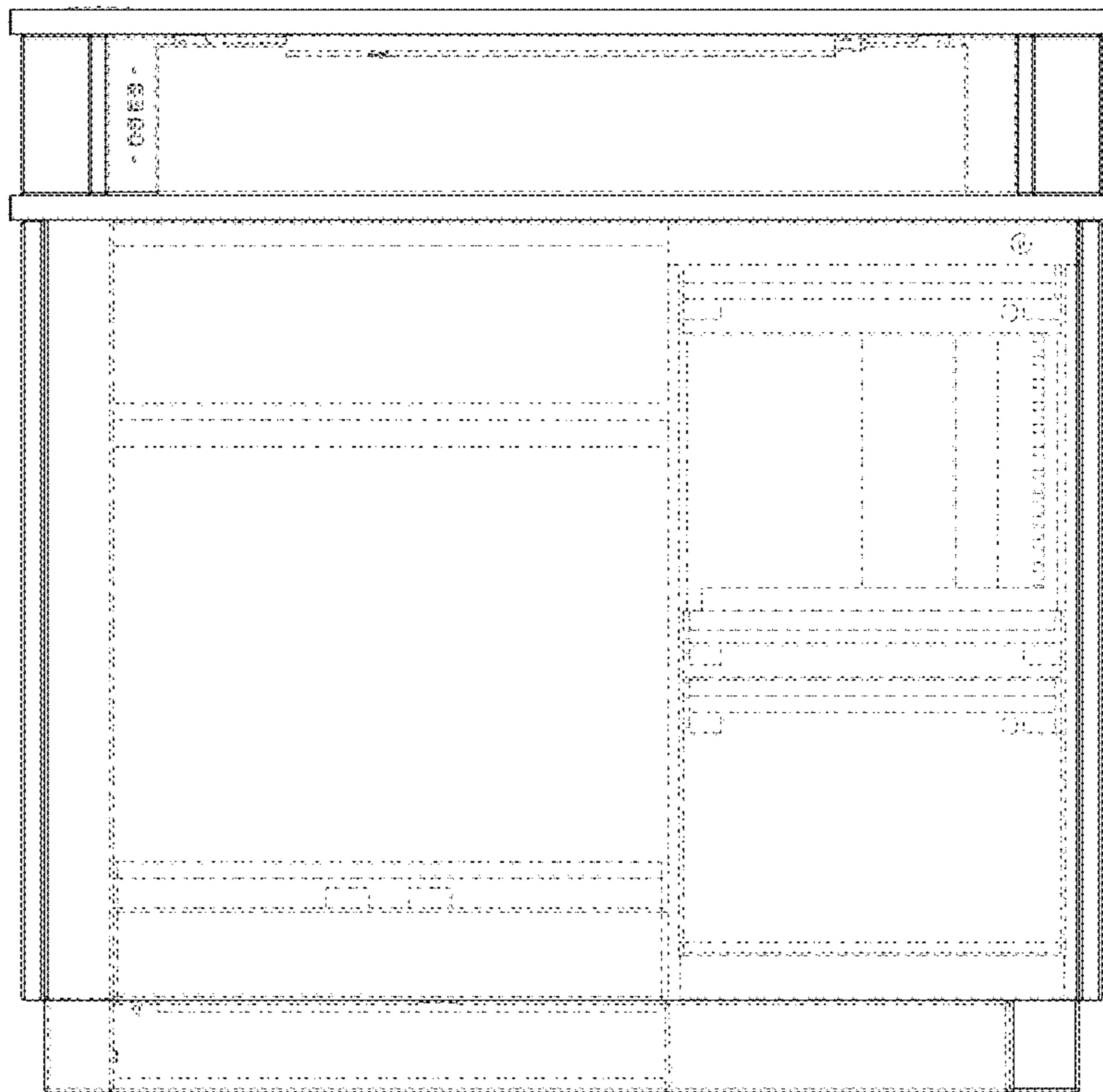


FIG. 3

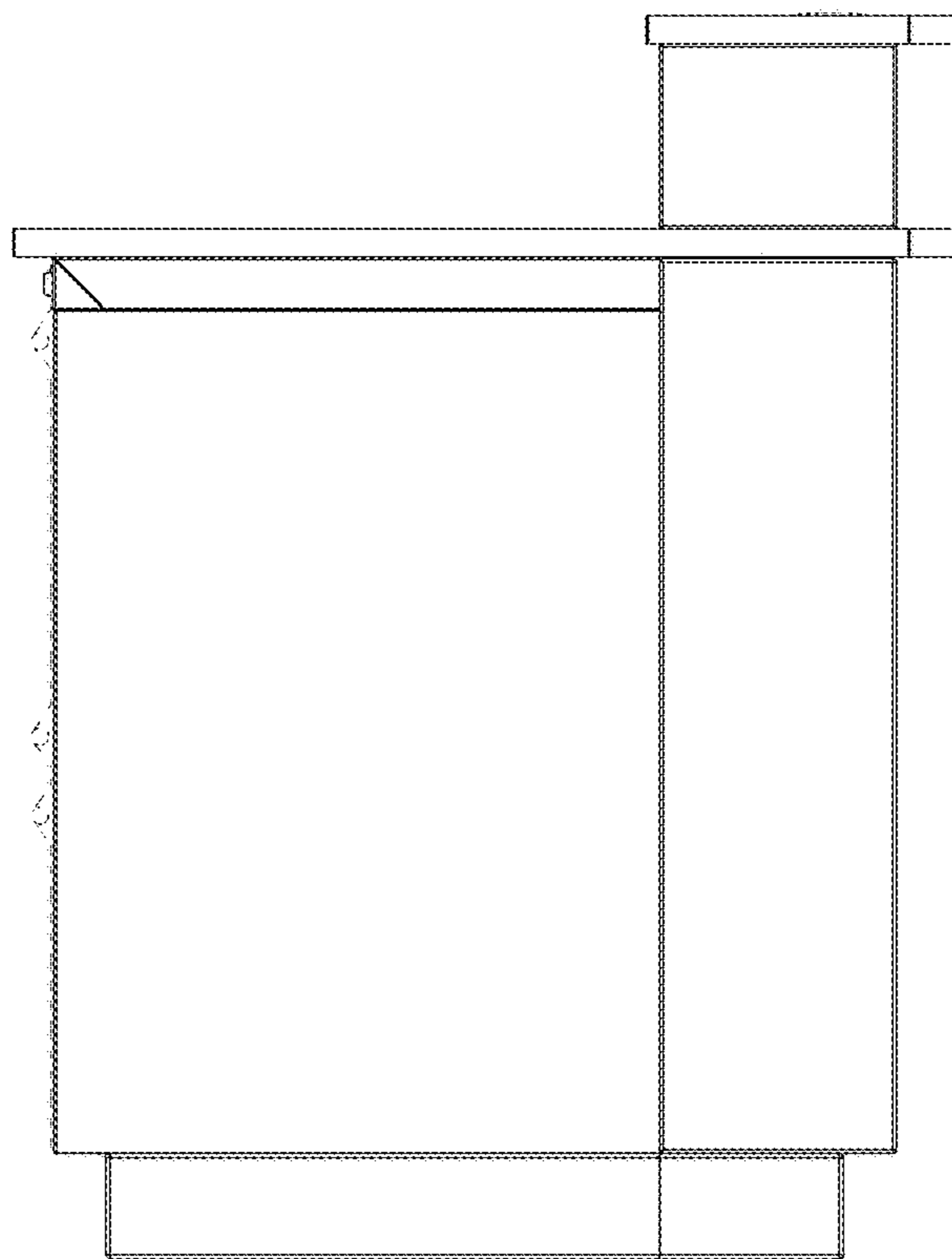


FIG. 4

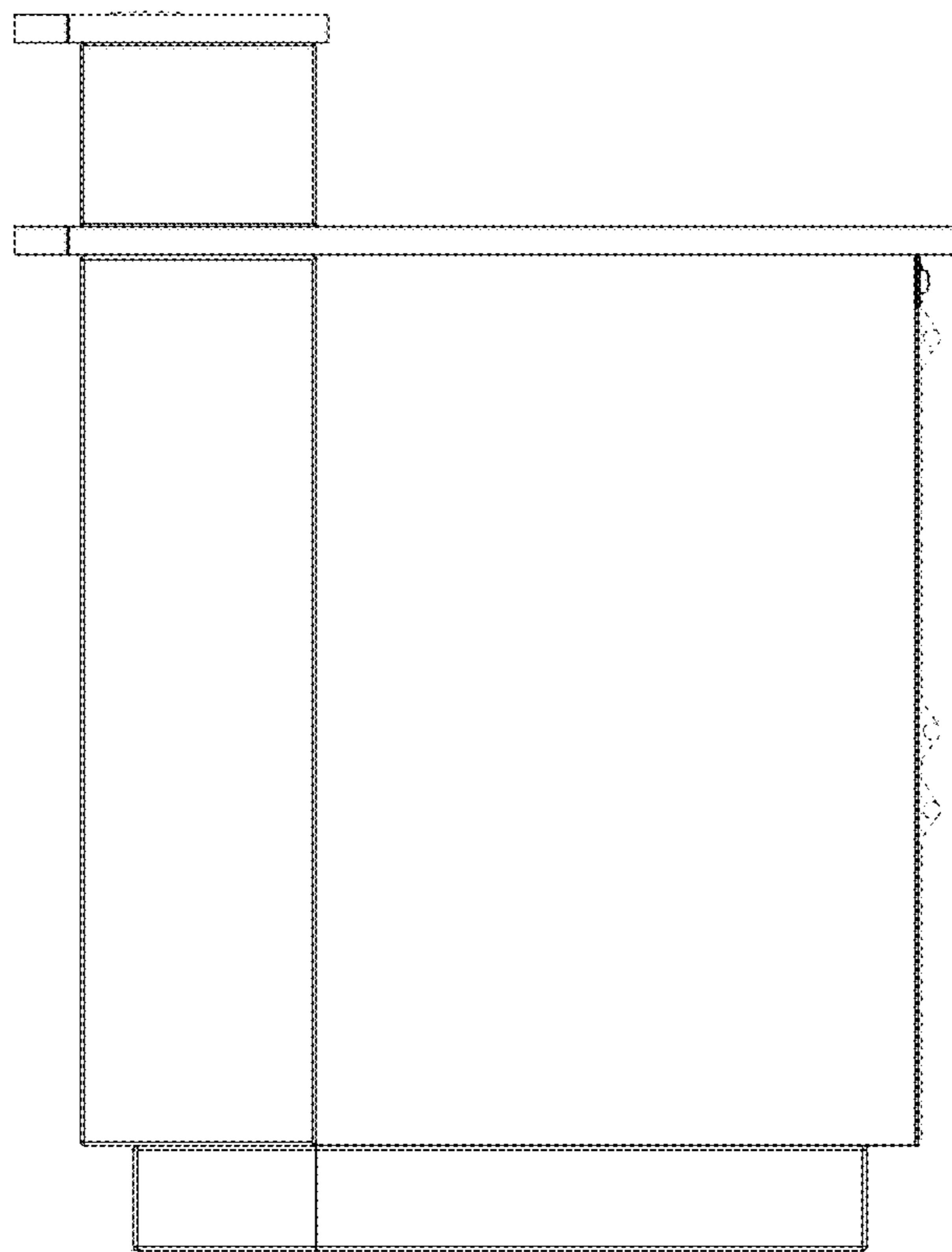


FIG. 5

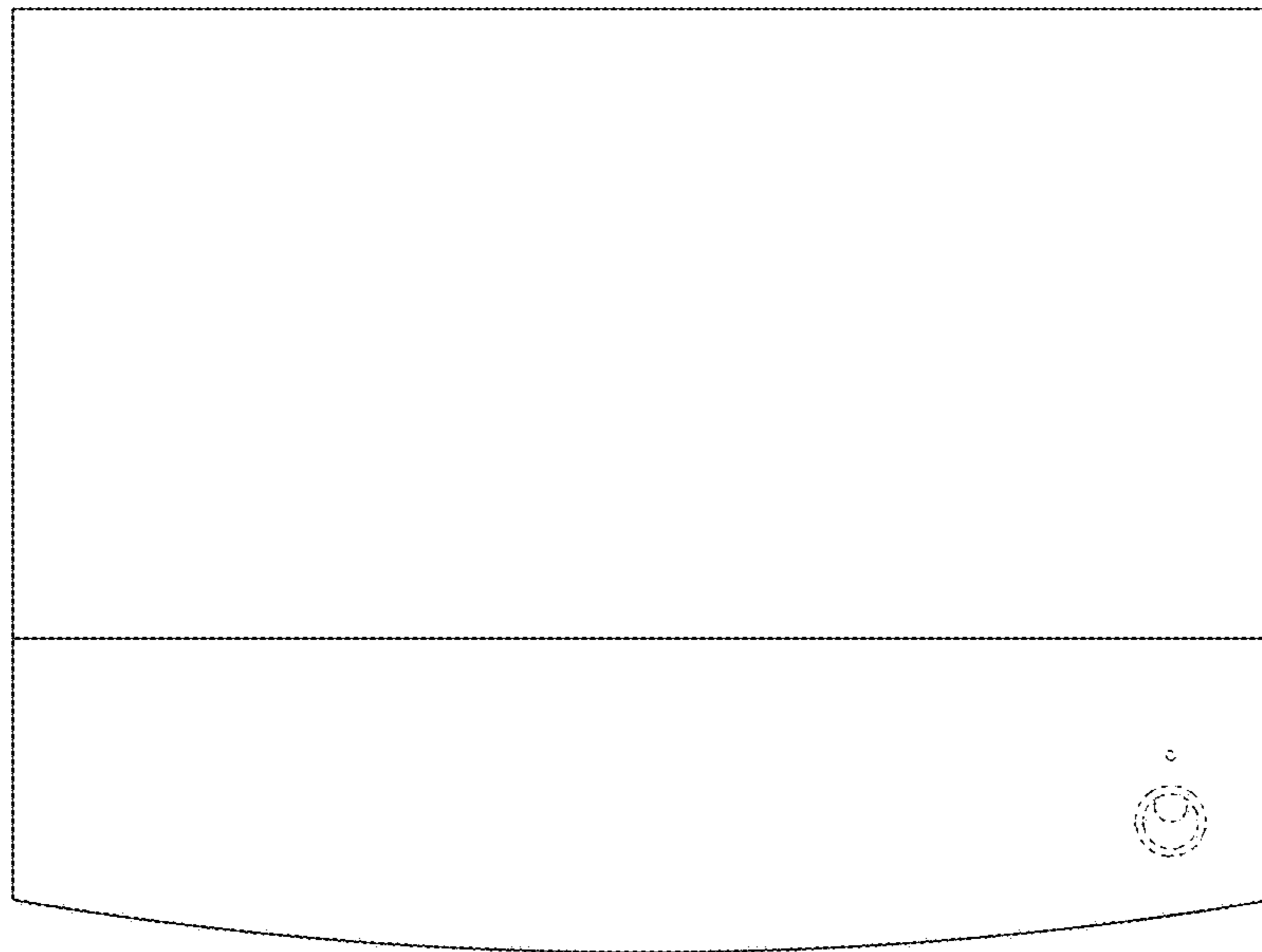


FIG. 6

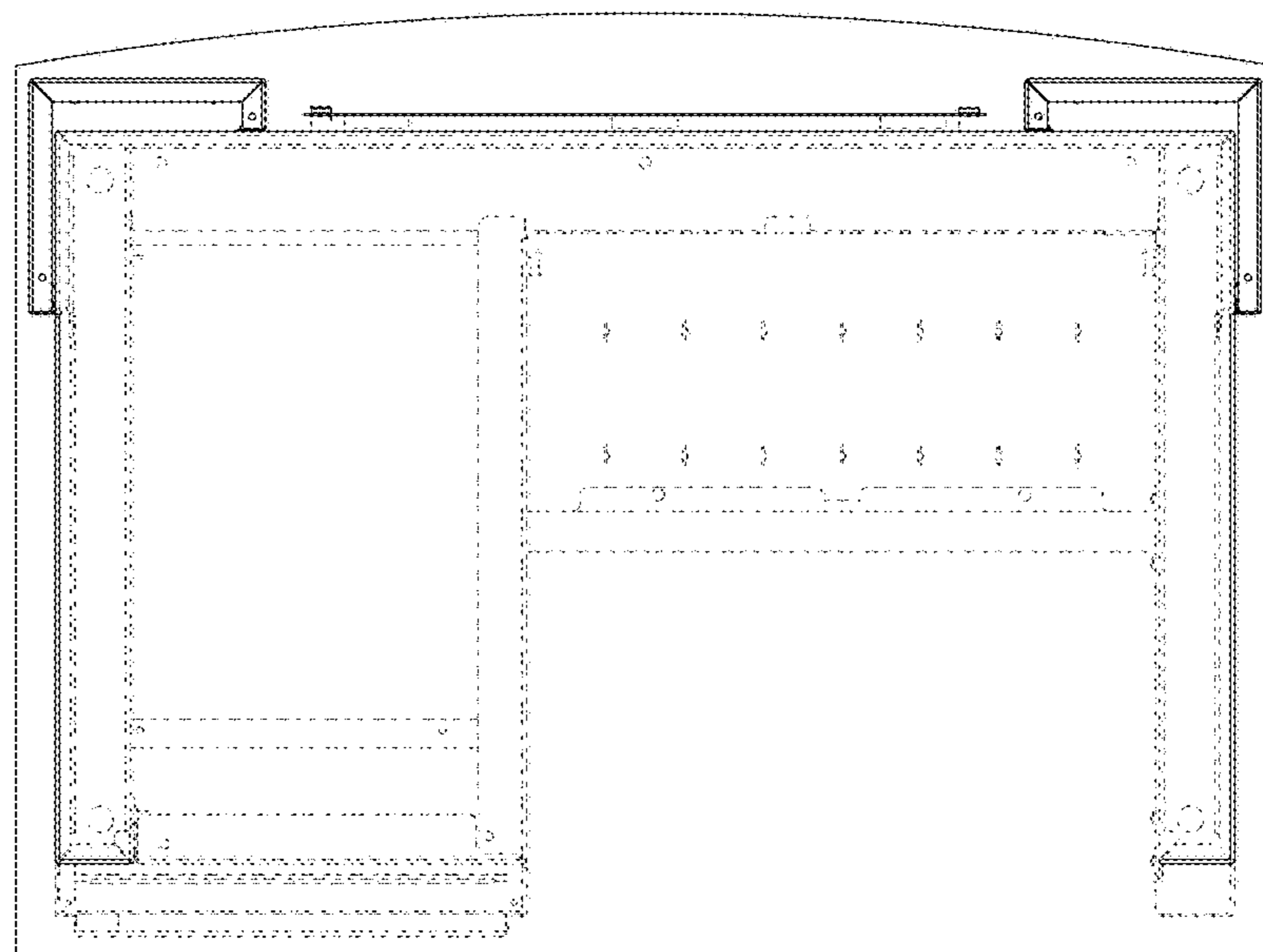


FIG. 7