



US00D863851S

(12) **United States Design Patent**
Zünkeler

(10) **Patent No.:** **US D863,851 S**

(45) **Date of Patent:** **** Oct. 22, 2019**

(54) **TABLE**

(71) Applicant: **Benjamin Zünkeler**, St. Louis, MO
(US)

(72) Inventor: **Benjamin Zünkeler**, St. Louis, MO
(US)

(**) Term: **15 Years**

(21) Appl. No.: **29/625,877**

(22) Filed: **Nov. 13, 2017**

(51) **LOC (12) Cl.** **06-03**

(52) **U.S. Cl.**
USPC **D6/697**

(58) **Field of Classification Search**
USPC D6/349, 353, 650, 650.1, 656, 656.15,
D6/641, 642, 686, 687, 696, 696.1-696.7,
(Continued)

(56) **References Cited**

U.S. PATENT DOCUMENTS

829,457 A 8/1906 Briggs
881,278 A 3/1908 Acheson
(Continued)

FOREIGN PATENT DOCUMENTS

CN 205285506 U 6/2016
DE 19501567 A1 5/1996
(Continued)

OTHER PUBLICATIONS

Written Opinion of the International Searching Authority (Federal Institute of Industrial Property of Moscow) in related patent application PCT/US2018/060570 and having dated May 7, 2019.

Primary Examiner — Mary Ann Calabrese

(74) *Attorney, Agent, or Firm* — Hassan Abbas Shakir; Shakir Law PLLC

(57) **CLAIM**

The ornamental design of the table, as shown and described.

DESCRIPTION

FIG. 1 is a front isometric view of the table in a first tabletop position;

FIG. 2 is a front view of the table in the first tabletop position;

FIG. 3 is a rear view of the table in the first tabletop position;

FIG. 4 is a bottom view of the table in the first tabletop position;

FIG. 5 is a top view of the table in the first tabletop position;

FIG. 6 is a left-side view of the table in the first tabletop position;

FIG. 7 is a right-side view of the table in the first tabletop position;

FIG. 8 is an isometric view of the table being transitioned from the first tabletop position to a second tabletop position;

FIG. 9 is a left side view of the table with the table top in an intermediate position while being transitioned from the first tabletop position to a second tabletop position;

FIG. 10 is a front isometric view of the table in the second tabletop position;

FIG. 11 is a front view of the table in the second tabletop position;

FIG. 12 is a rear view of the table in the second tabletop position;

FIG. 13 is a bottom view of the table in the second tabletop position;

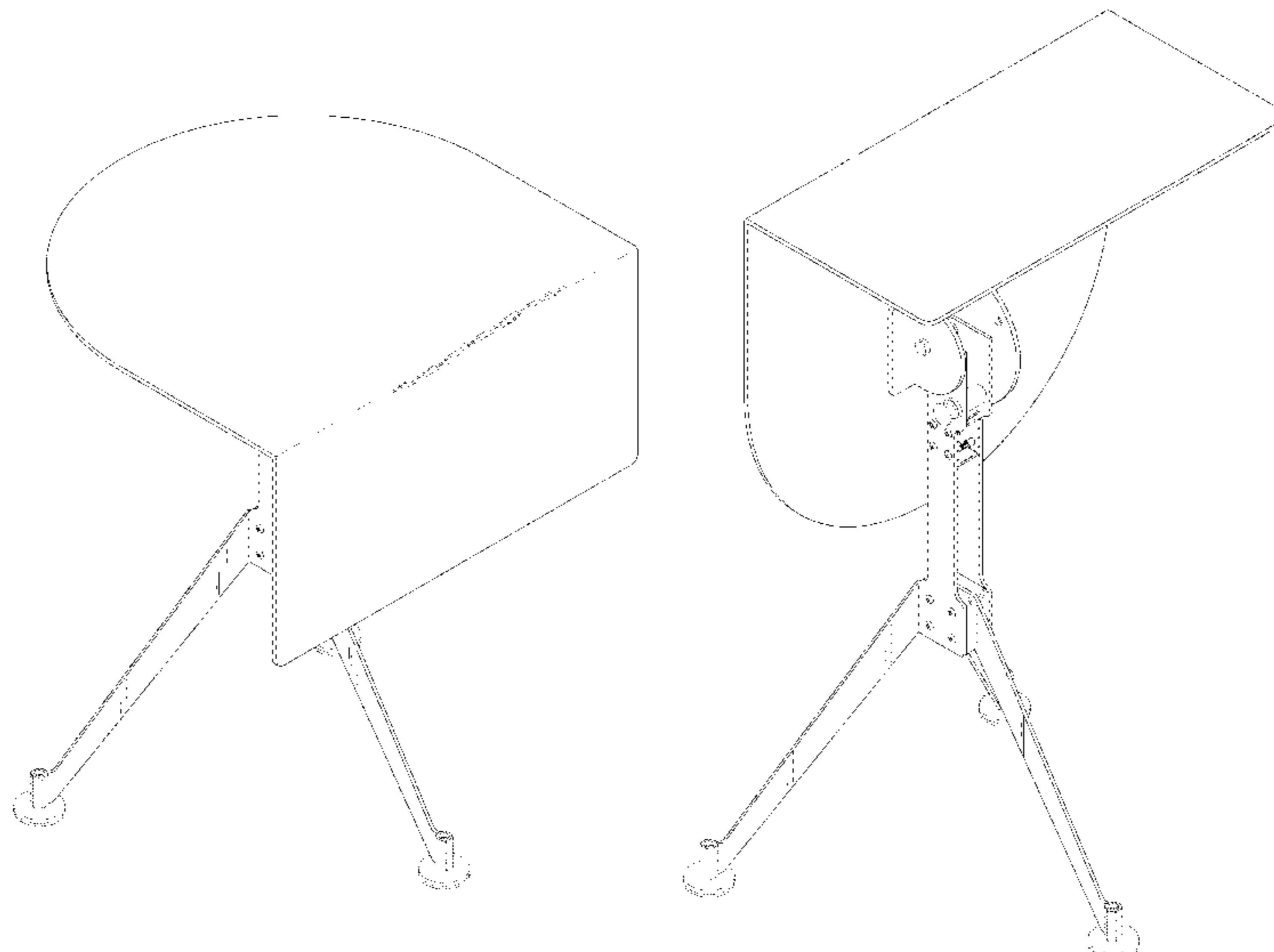
FIG. 14 is a top view of the table in the second tabletop position;

FIG. 15 is a left-side view of the table in the second tabletop position; and,

FIG. 16 is a right-side view of the table in the second tabletop position;

The broken lines in the drawings form no part of the design claimed being claimed.

1 Claim, 16 Drawing Sheets



US D863,851 S

Page 2

(58) **Field of Classification Search**

USPC D6/697, 697.1, 697.2, 703.1, 707.19,
D6/707.22
CPC A47B 1/04; A47B 3/00; A47B 3/08; A47B
3/0803; A47B 2003/0806; A47B 7/00;
A47B 9/00; A47B 13/00; A47B 13/02;
A47B 13/023; A47B 13/08; A47B 17/06;
A47B 21/00; A47B 27/00; A47B 27/18;
A47B 31/00; A47B 85/00

See application file for complete search history.

(56) **References Cited**

U.S. PATENT DOCUMENTS

D157,381 S * 2/1950 Kramer D6/650
2,539,700 A * 1/1951 Pieper A47B 27/18
108/2
2,576,287 A 11/1951 English
3,199,825 A 8/1965 Bellows
3,292,972 A 12/1966 Krueger
3,557,791 A 1/1971 Duffy
4,154,173 A * 5/1979 Chesnut A47B 27/00
108/6
4,180,002 A * 12/1979 Huempfer A61G 13/04
108/6

D273,741 S * 5/1984 Koves A61G 13/04
D6/312
D275,353 S * 9/1984 Dunbar A47B 27/00
D6/656.1
D382,735 S * 8/1997 Zapf A47B 27/18
D6/703.1
6,164,211 A 12/2000 Faris
7,293,786 B2 * 11/2007 Burton A47B 31/00
280/47.371
D613,526 S * 4/2010 Priestman A47B 31/00
D6/697.1
8,707,521 B1 4/2014 Mack
D764,847 S * 8/2016 Strater D6/707.19
D817,651 S * 5/2018 Siebert D6/353
10,051,960 B1 8/2018 Siebert et al.
2002/0117091 A1 8/2002 Stem
2009/0283021 A1 11/2009 Wong
2013/0284077 A1 * 10/2013 Copeland A47B 3/00
108/117

FOREIGN PATENT DOCUMENTS

RU 2129829 C1 5/1999
RU 98095 U 10/2010

* cited by examiner

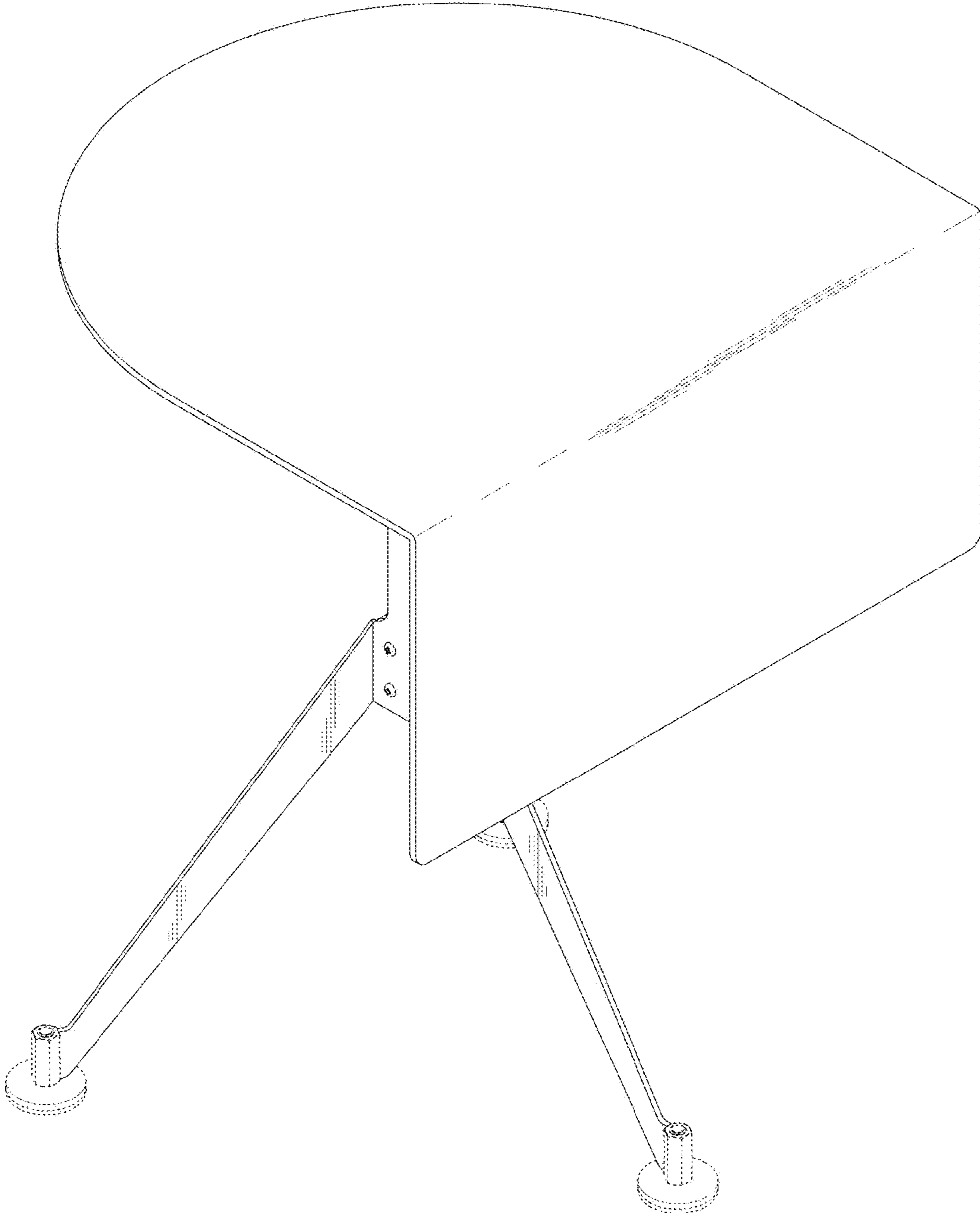


FIG. 1

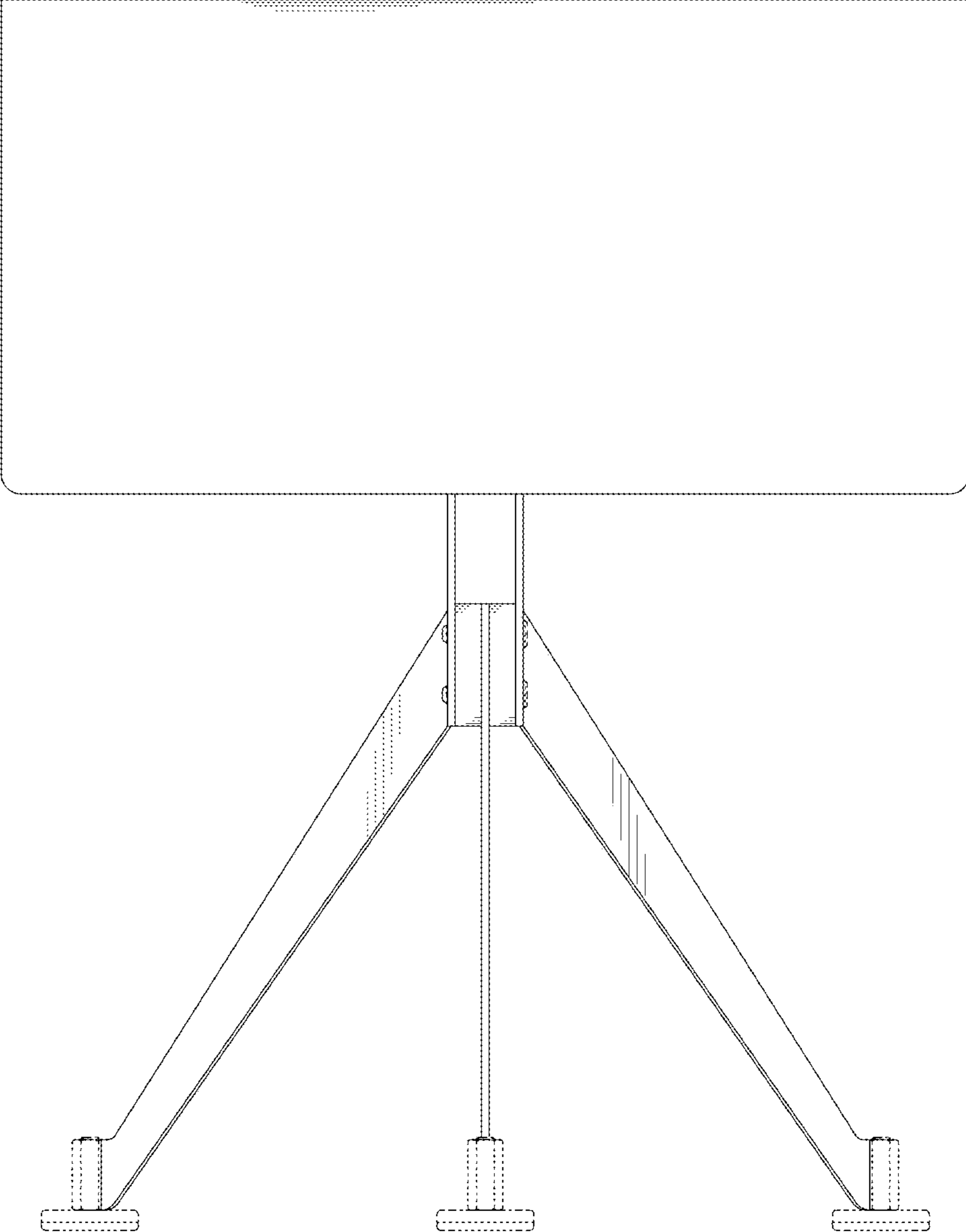


FIG. 2

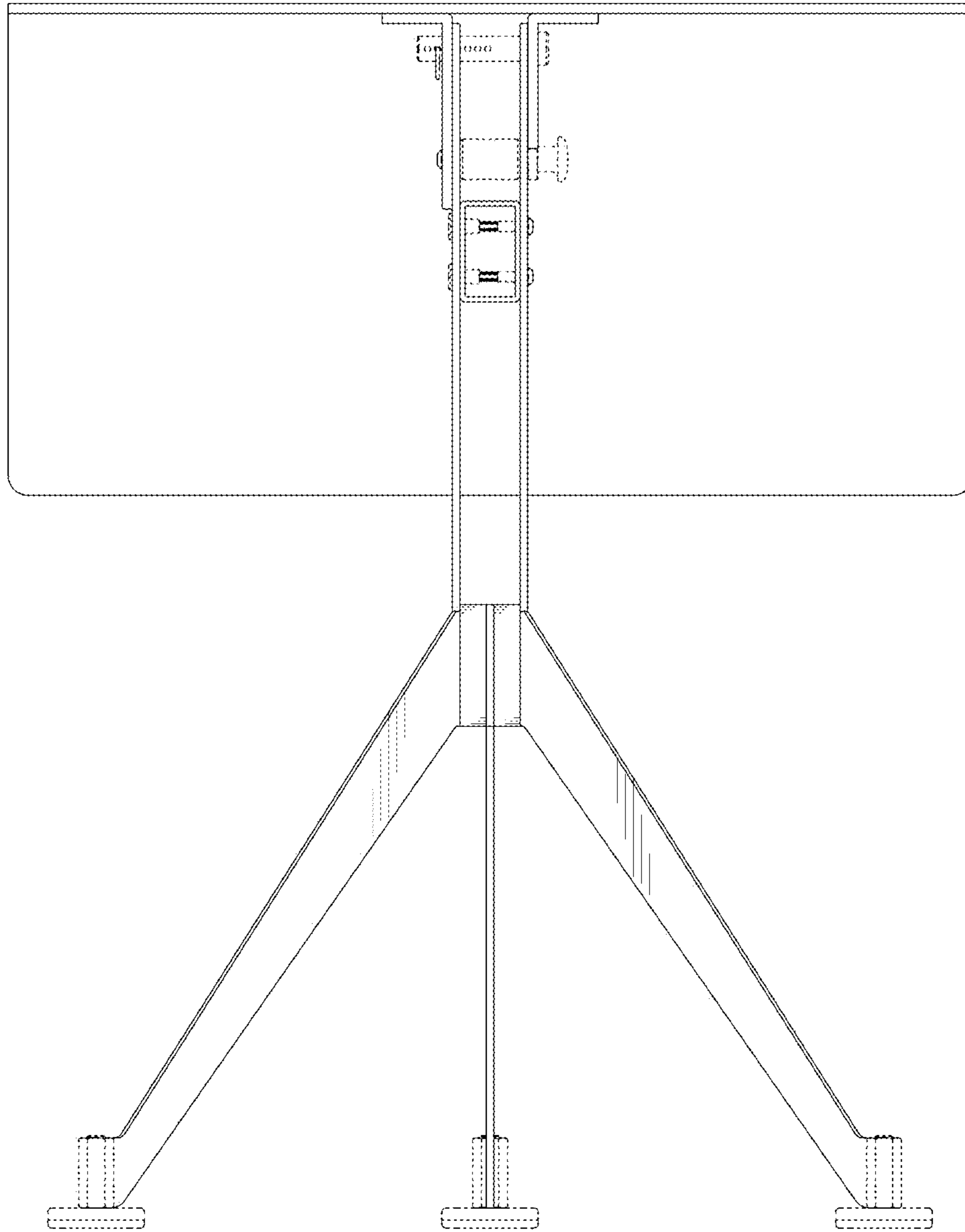


FIG. 3

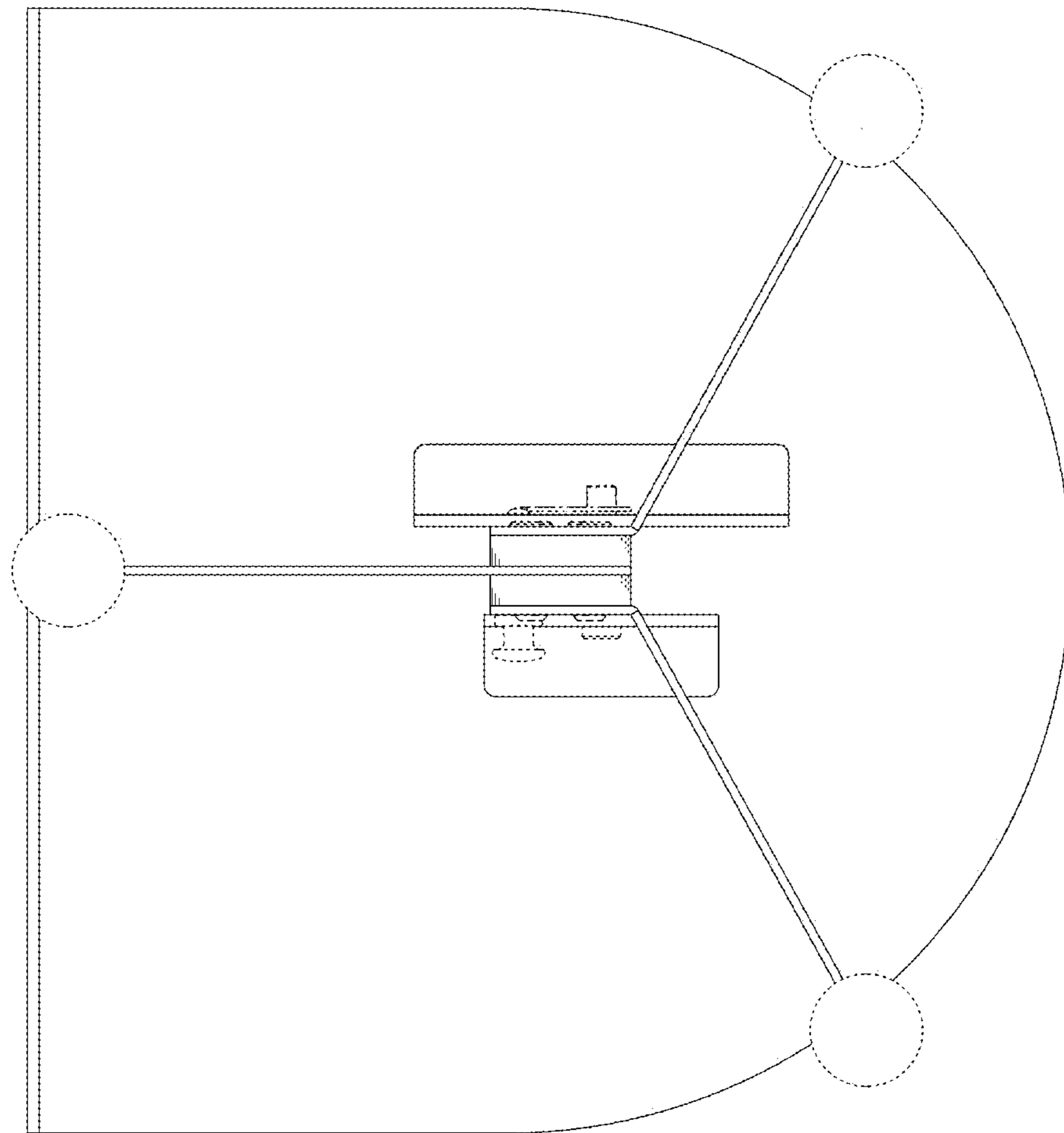


FIG. 4

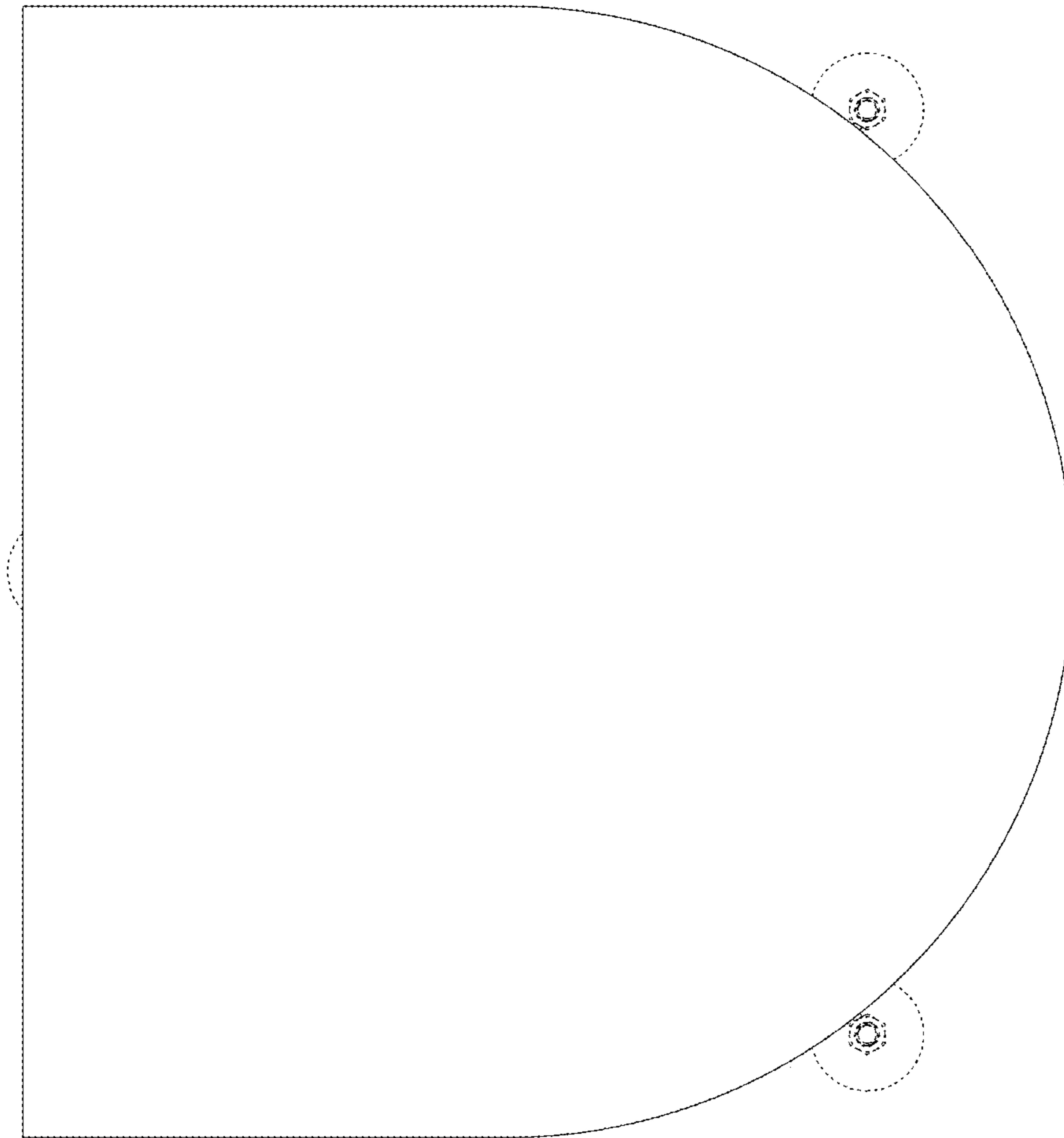


FIG. 5

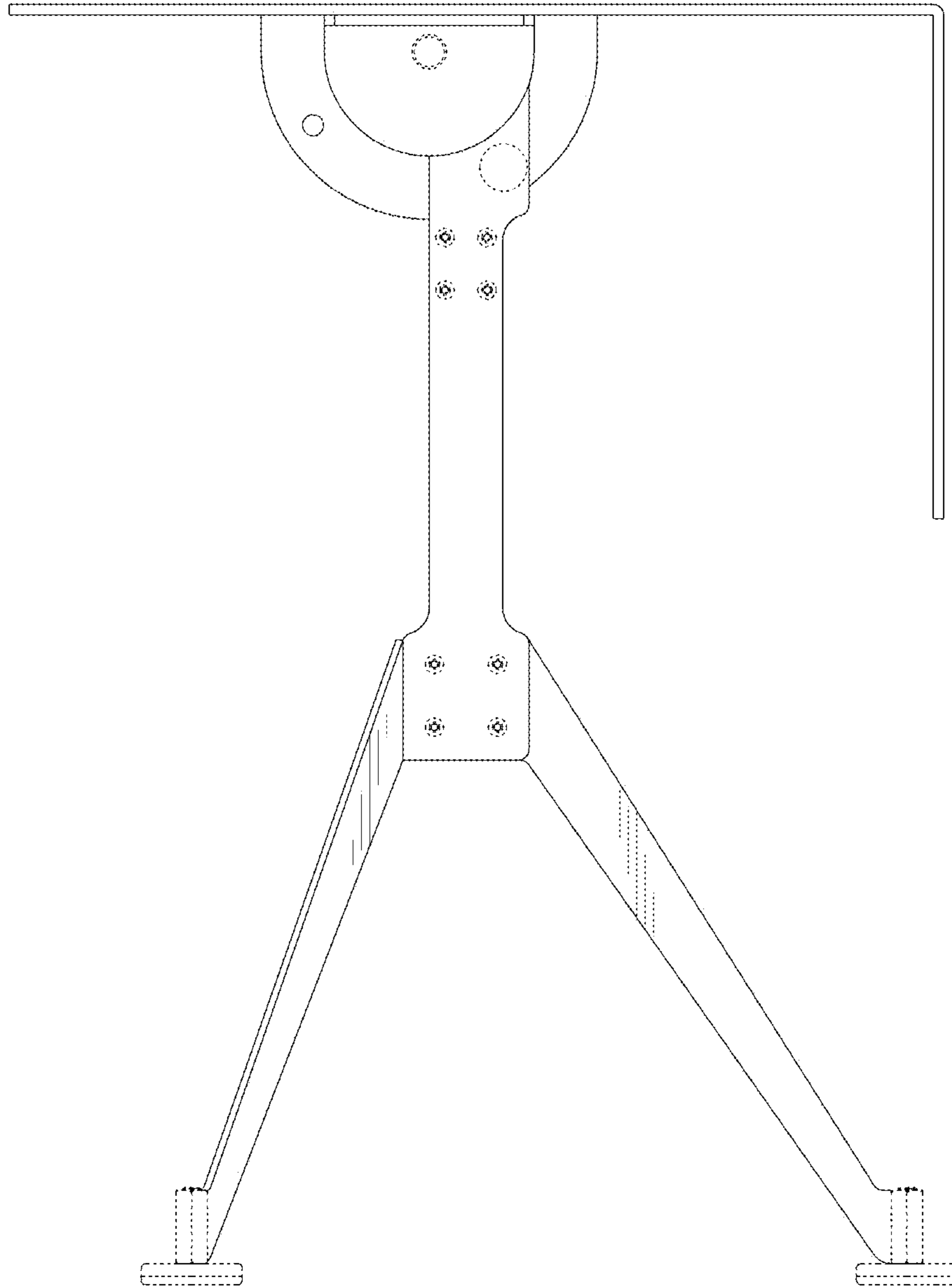


FIG. 6

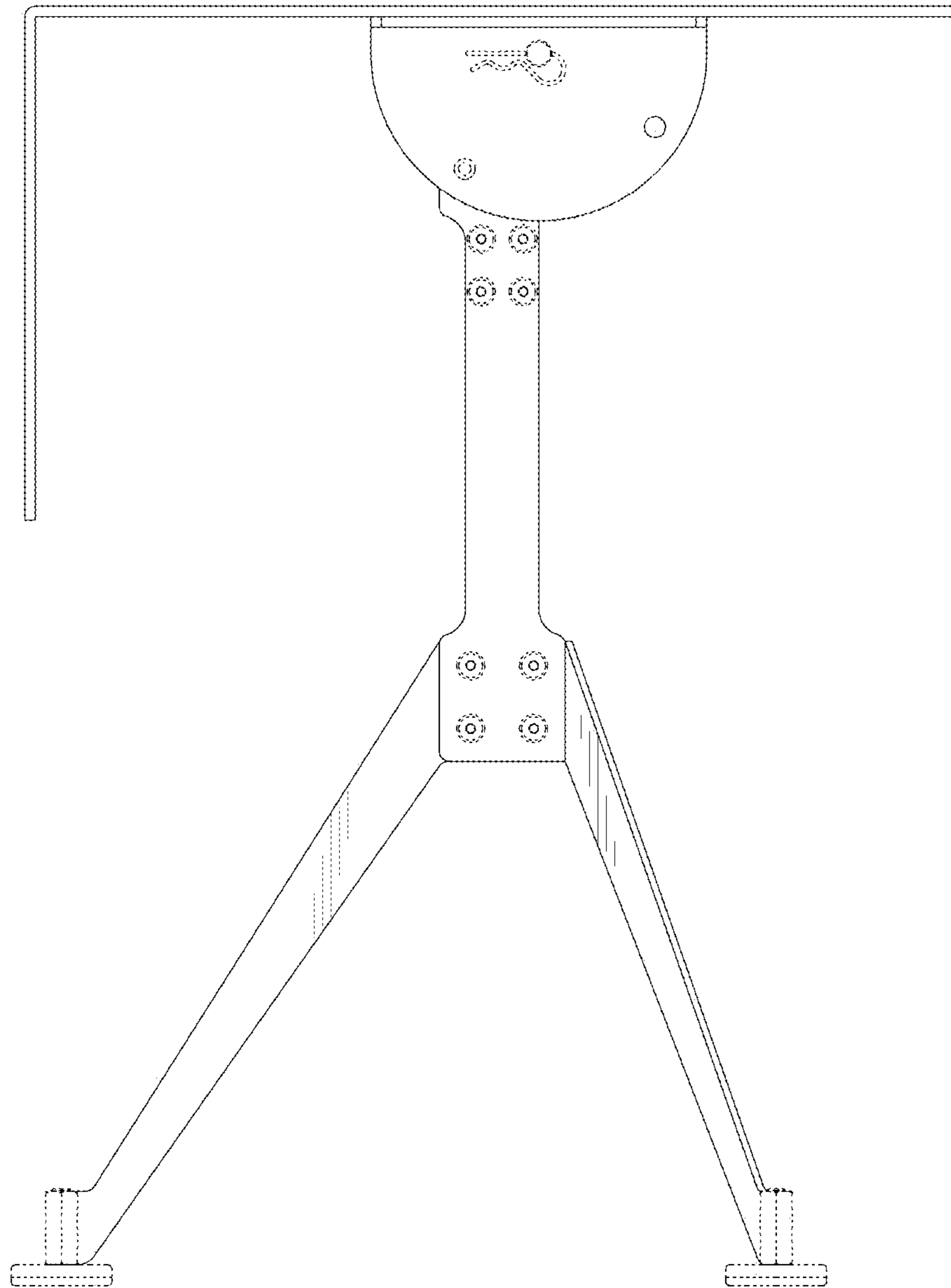


FIG. 7

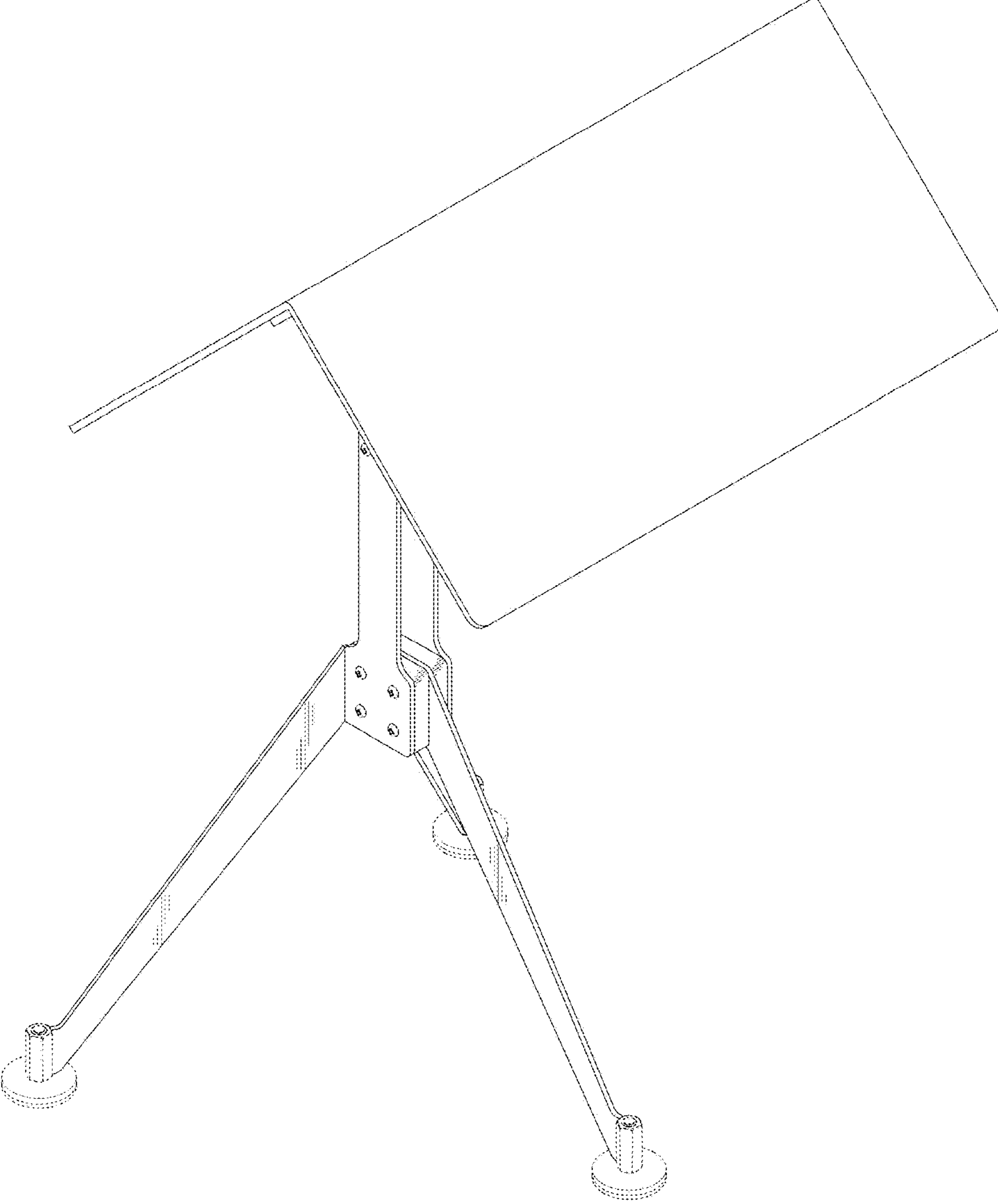


FIG. 8

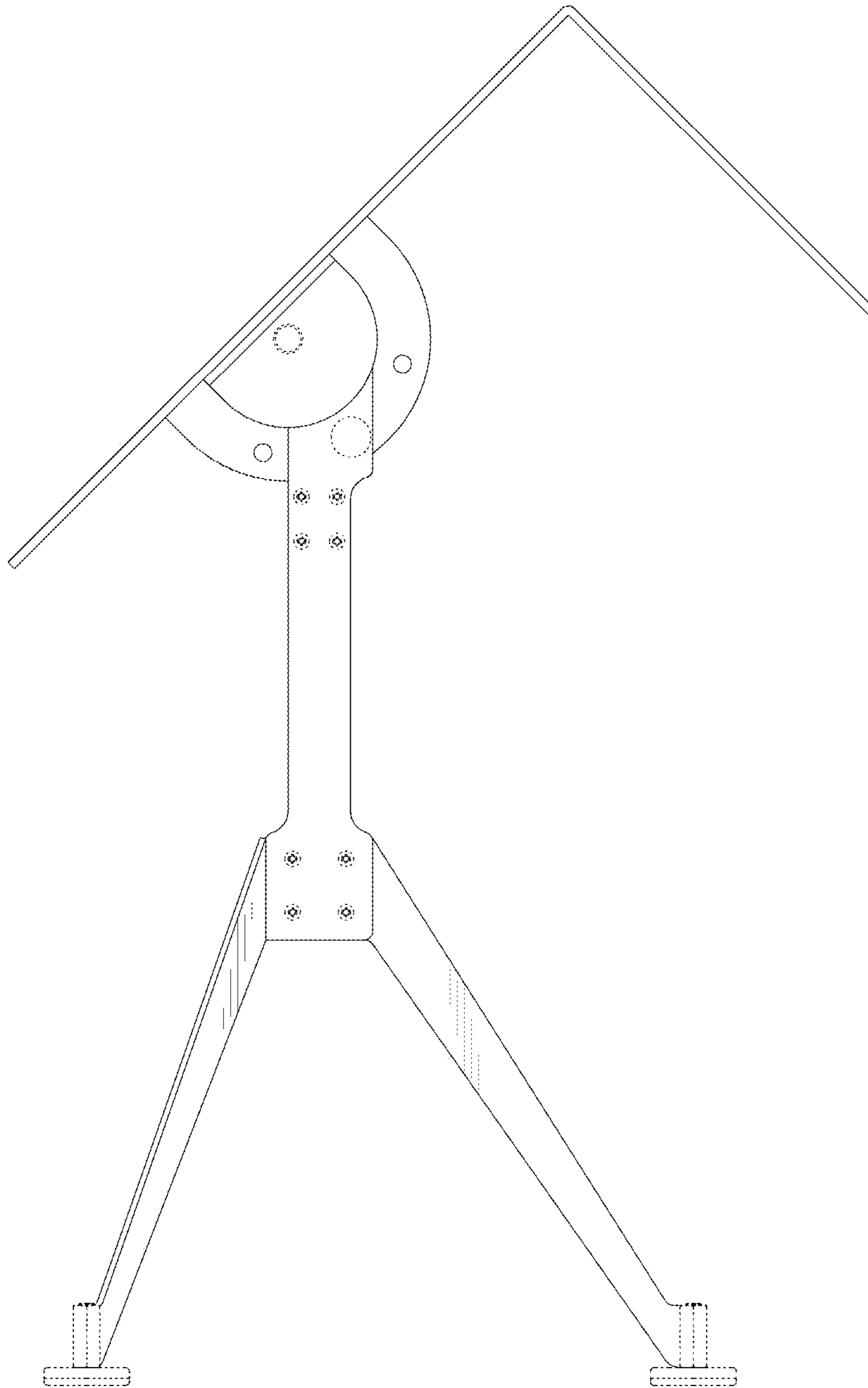


FIG. 9

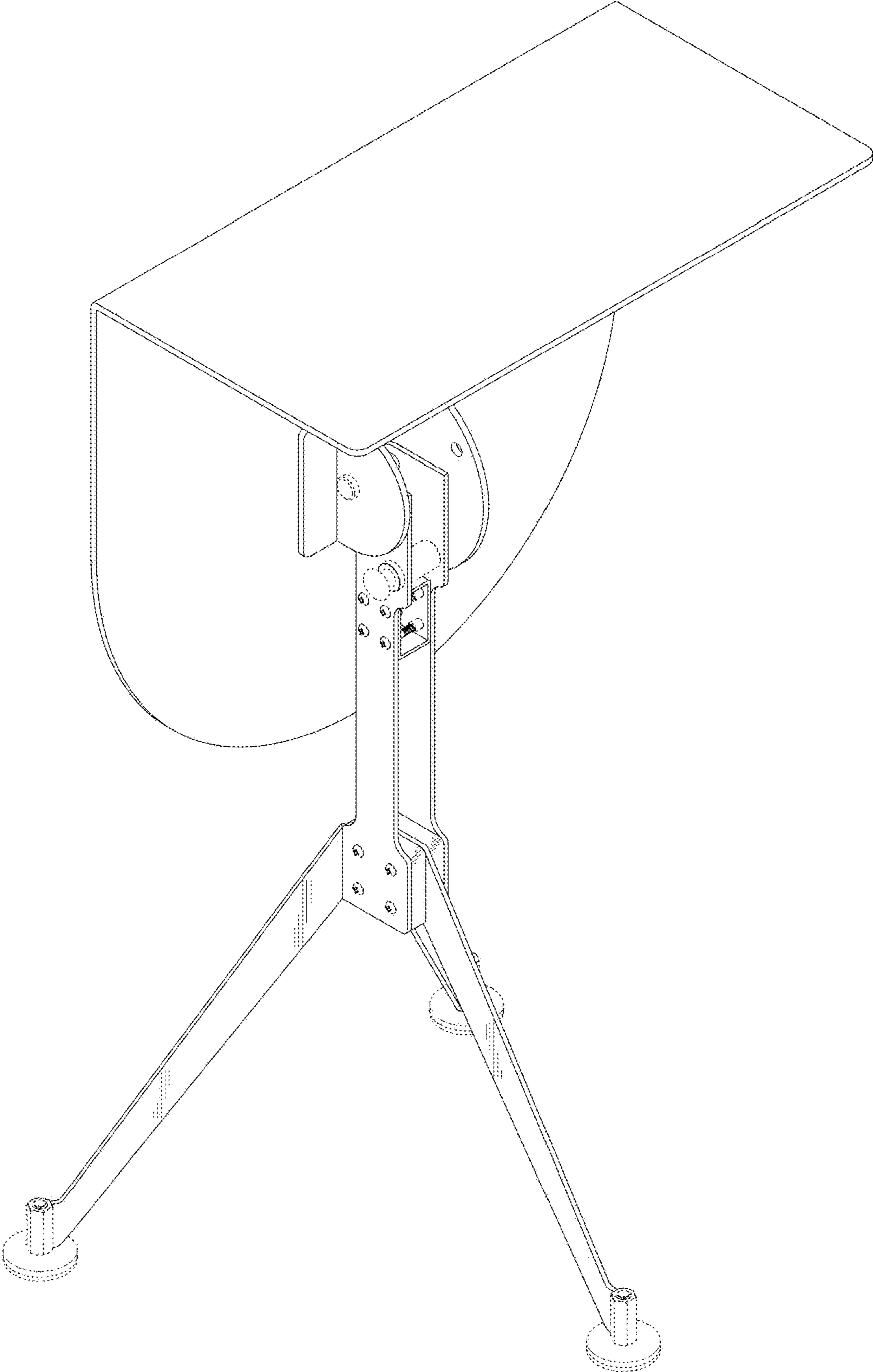


FIG. 10

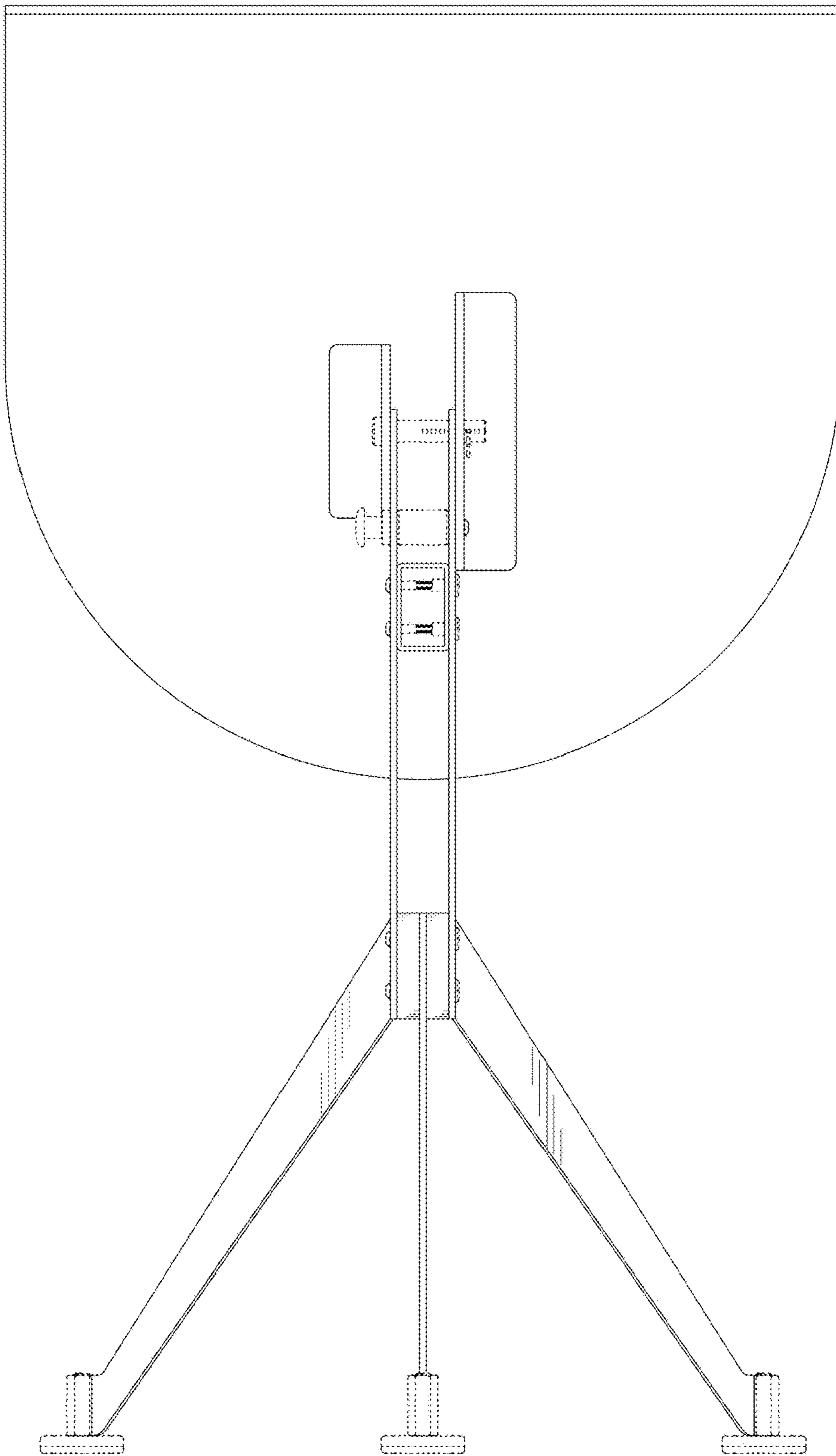


FIG. 11

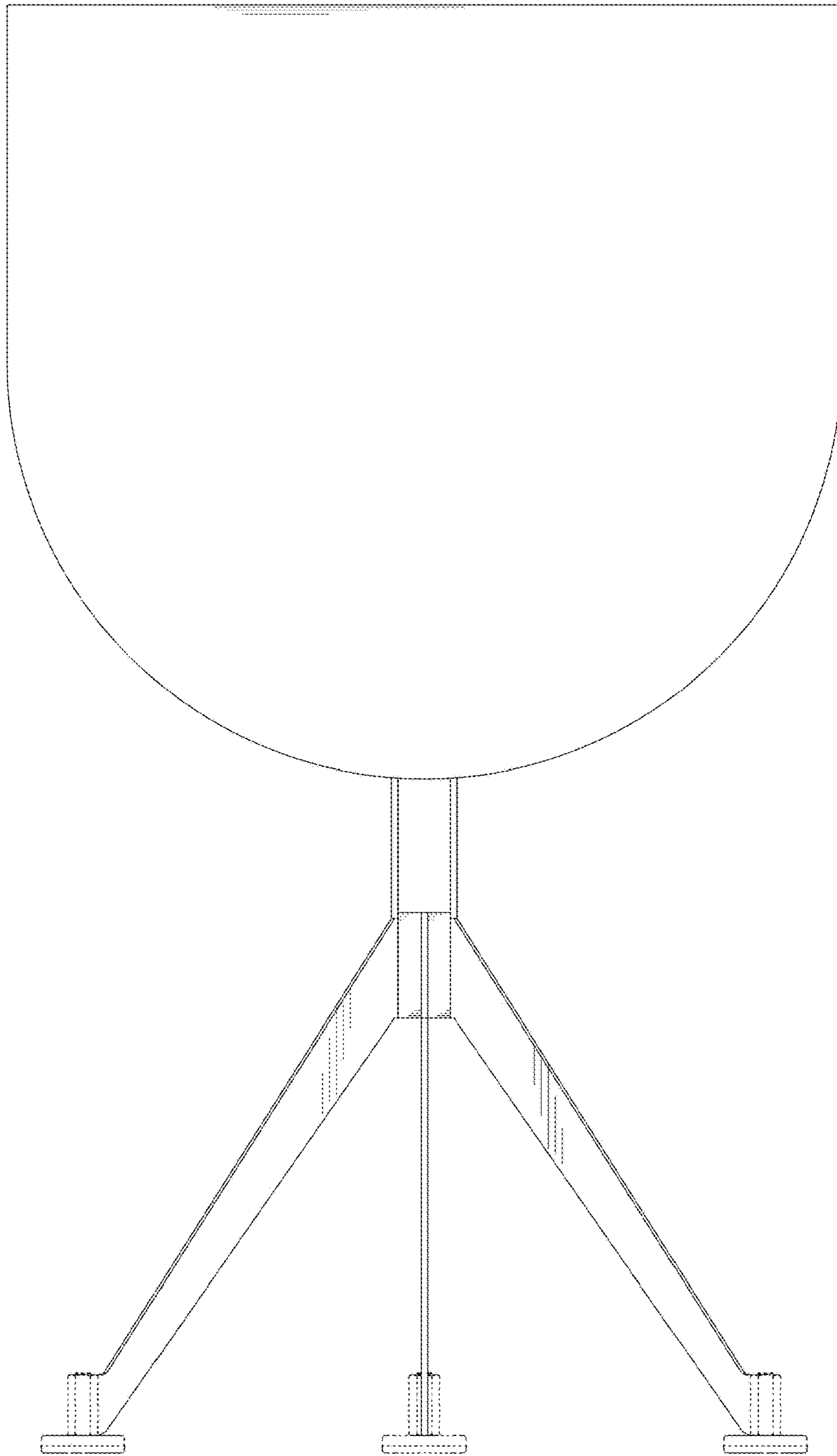


FIG. 12

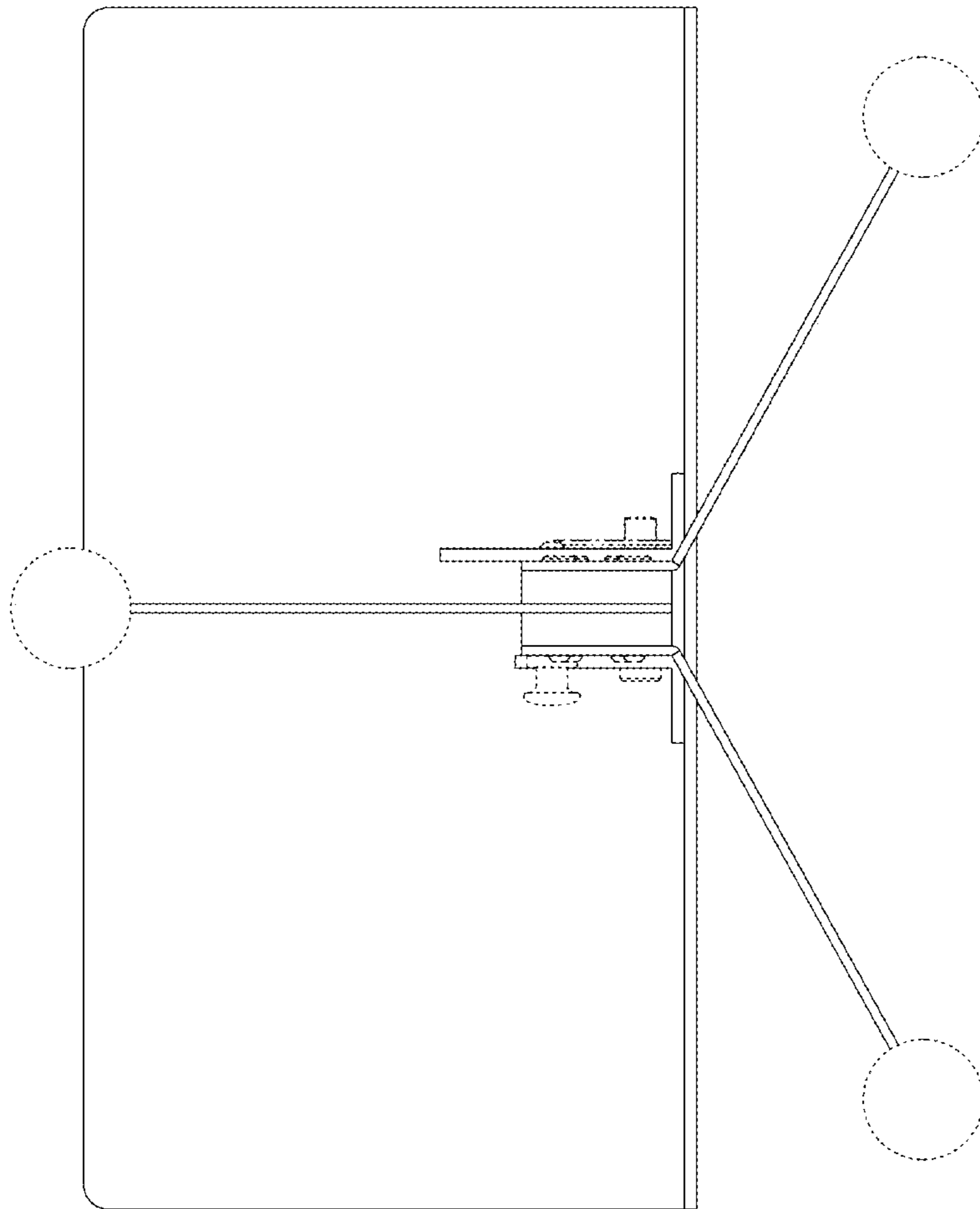


FIG. 13

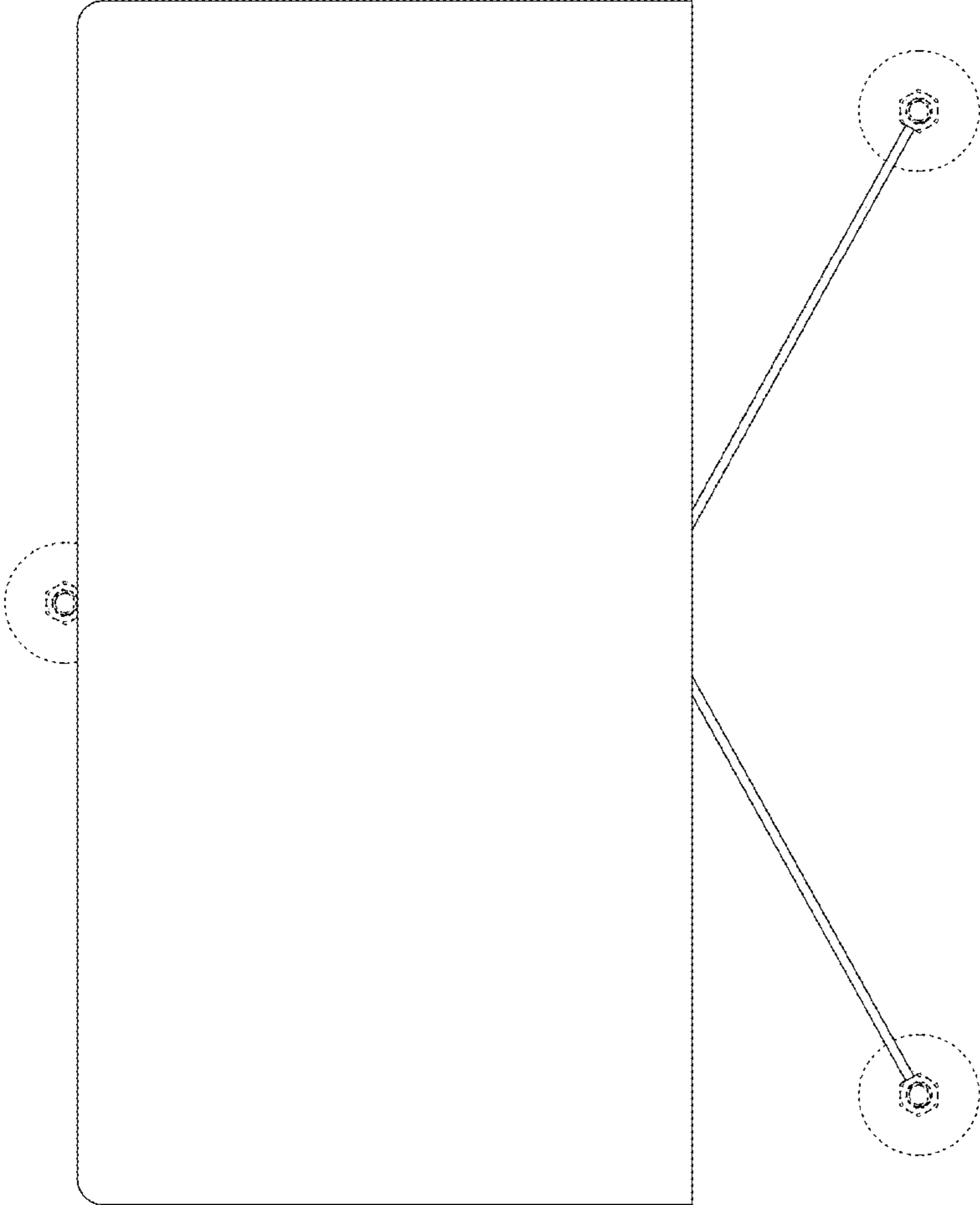


FIG. 14

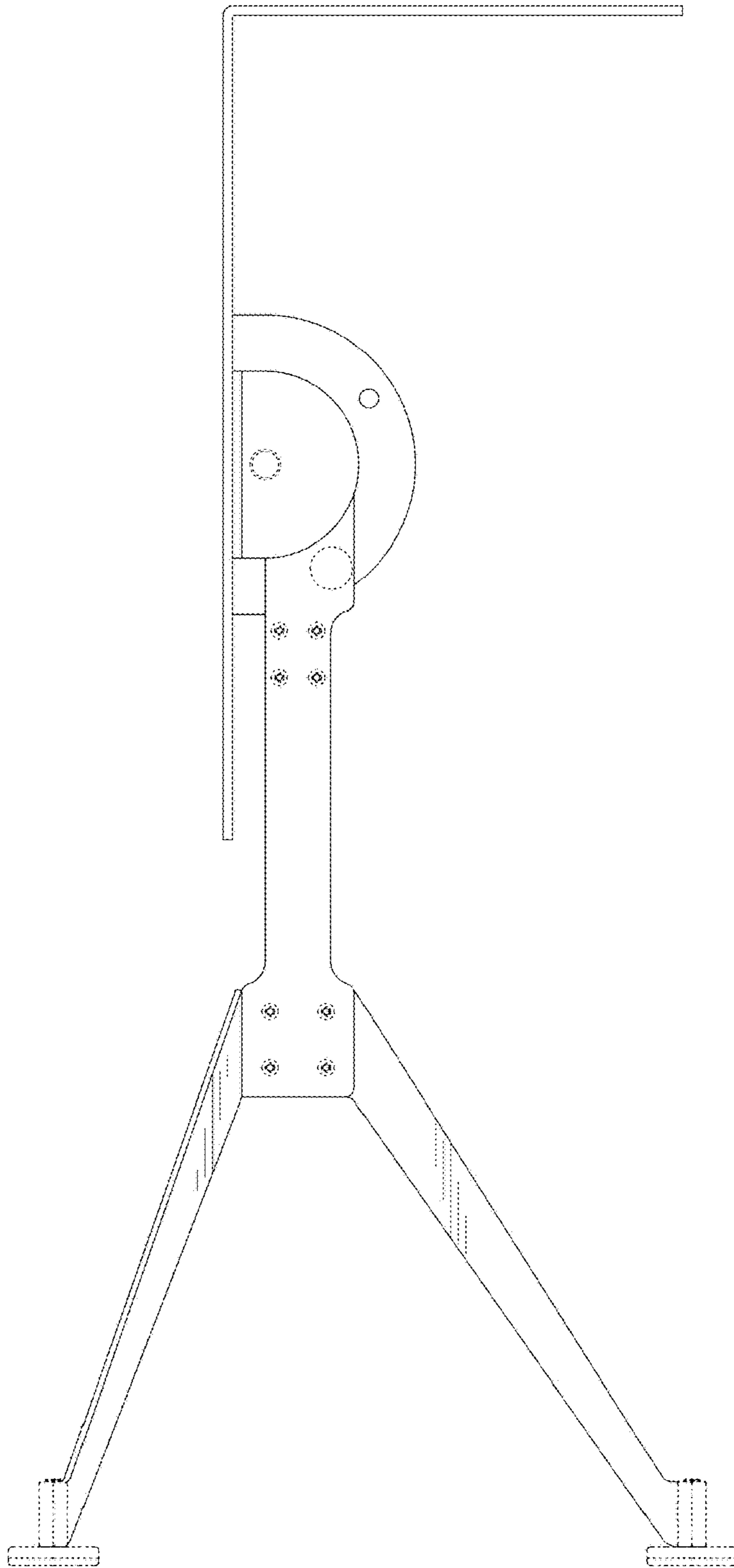


FIG. 15

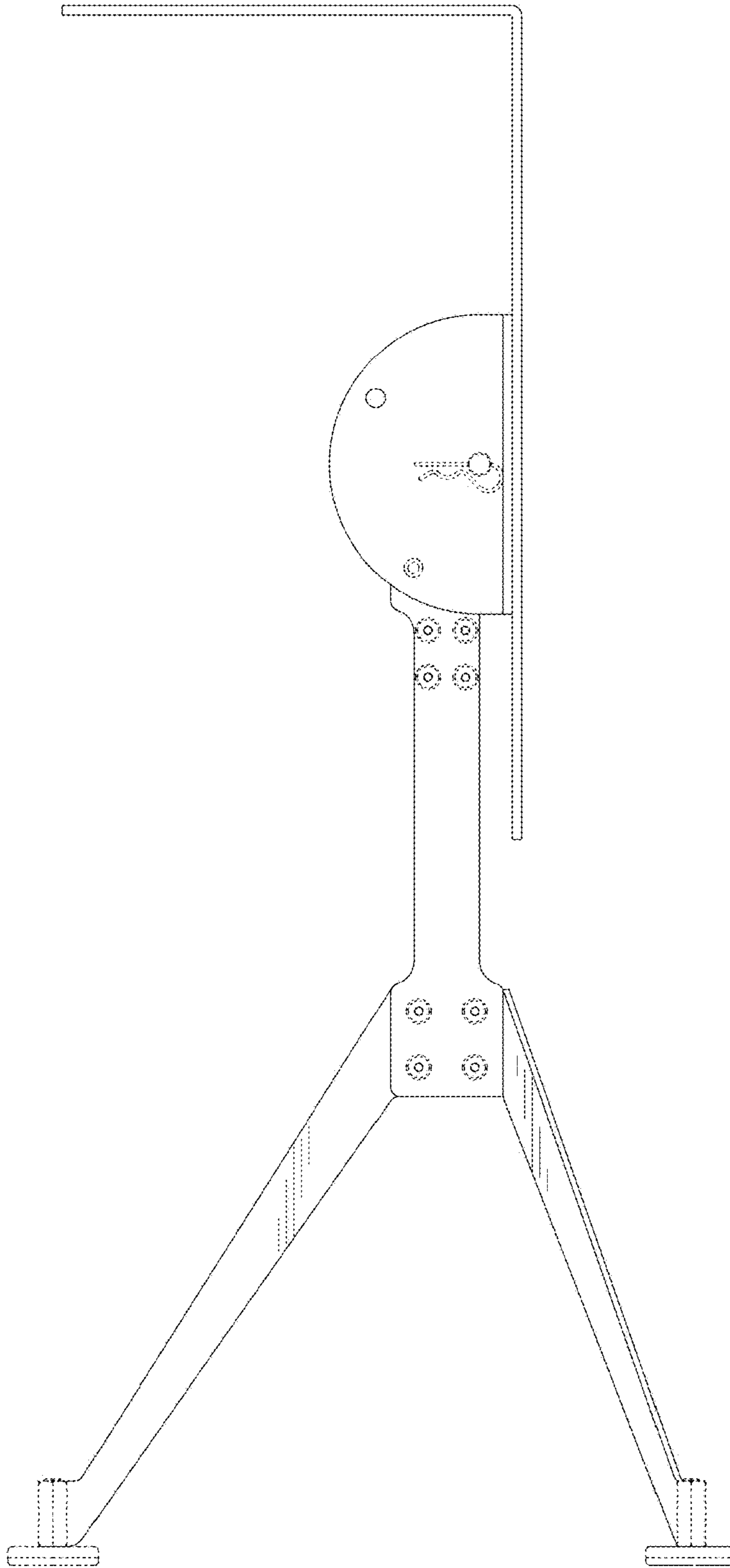


FIG. 16