



US00D863850S

(12) **United States Design Patent**  
**Hendifar et al.**

(10) **Patent No.:** **US D863,850 S**

(45) **Date of Patent:** **\*\* Oct. 22, 2019**

- (54) **TABLE**
  - (71) Applicant: **APPARATUS, LLC**, New York, NY (US)
  - (72) Inventors: **Gabriel Hendifar**, Rhinebeck, NY (US); **Jeremy R. Anderson**, New York, NY (US)
  - (73) Assignee: **APPARATUS LLC**, New York, NY (US)
  - (\*\*) Term: **15 Years**
  - (21) Appl. No.: **29/639,756**
  - (22) Filed: **Mar. 8, 2018**
  - (51) **LOC (12) Cl.** ..... **06-03**
  - (52) **U.S. Cl.**  
USPC ..... **D6/694**; D6/696
  - (58) **Field of Classification Search**  
USPC ..... D6/349, 641, 685, 686, 690, 692, 696, D6/696.1-696.7, 697, 697.1, 697.2  
CPC ..... A47B 7/00; A47B 13/00; A47B 13/02; A47B 13/04; A47B 13/06; A47B 13/08; A47B 13/12; A47B 21/00; A47B 2200/0001; A47B 2200/0011; A47B 2200/002
- See application file for complete search history.

- 5,483,904 A \* 1/1996 Kelly ..... A47B 13/08 108/156
- D470,346 S \* 2/2003 Stanton ..... D6/688.11
- 2003/0215375 A1\* 11/2003 Peddicord ..... A47B 13/02 422/275

**OTHER PUBLICATIONS**

PARS Console table—ApparatusStudio.com <https://apparatusstudio.com/products/pars/> retrieved from the internet on Aug. 1, 2019.\*

\* cited by examiner

*Primary Examiner* — Mary Ann Calabrese

(74) *Attorney, Agent, or Firm* — Gottlieb, Rackman & Reisman, P.C.

(57) **CLAIM**

The ornamental design for a table, as shown and described.

**DESCRIPTION**

FIG. 1 is a perspective view showing our new design; FIG. 2 is a front elevational view thereof; FIG. 3 is a rear elevational view thereof; FIG. 4 is a left side elevational view thereof; FIG. 5 is a right side elevational view thereof; FIG. 6 is a top plan view thereof; and, FIG. 7 is a bottom plan view thereof.

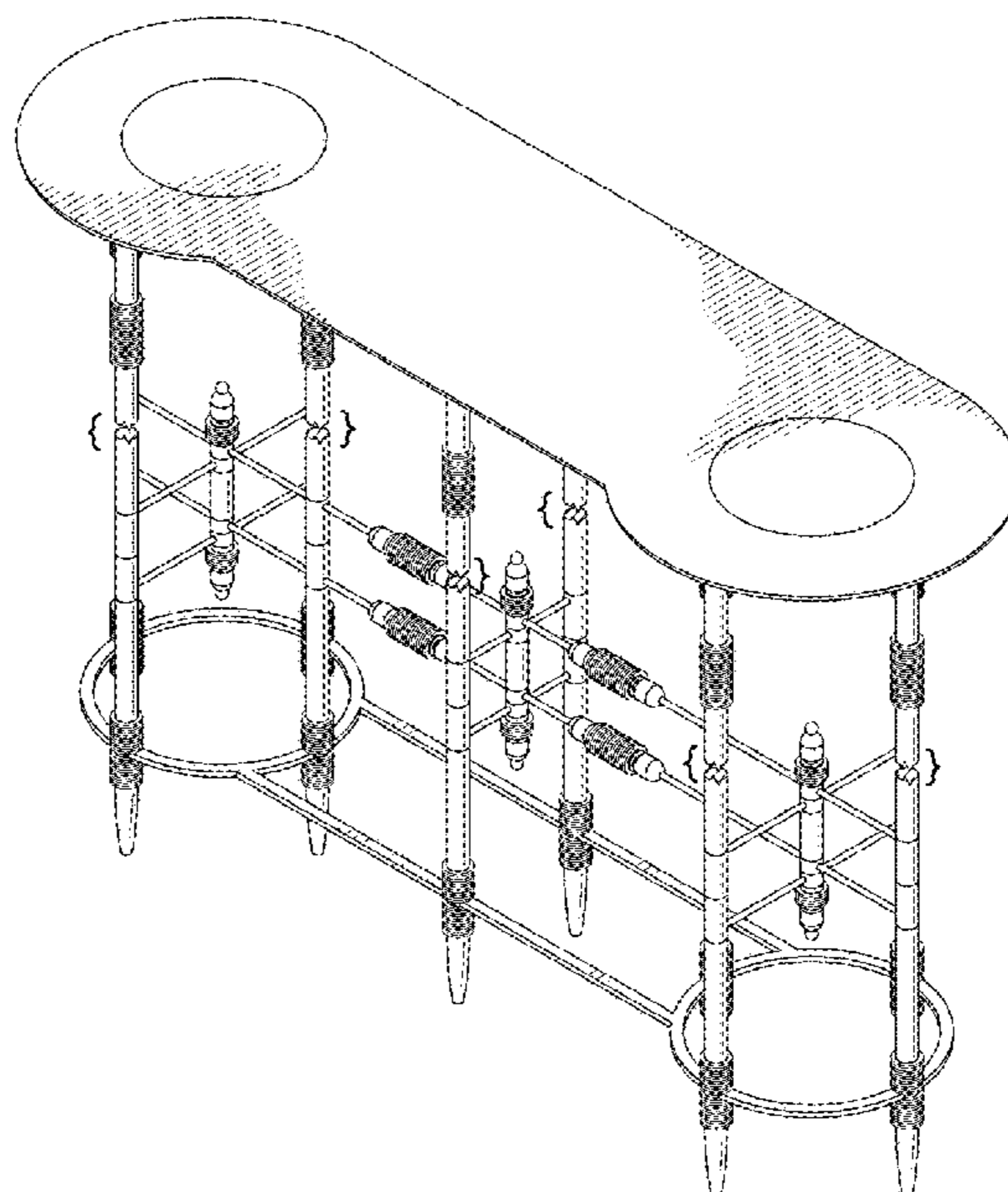
The break lines in FIGS. 1-5 are to indicate that the appearance of any portion of the table between the break lines forms no part of the claimed design.

**1 Claim, 7 Drawing Sheets**

(56) **References Cited**

**U.S. PATENT DOCUMENTS**

- D249,855 S \* 10/1978 Levell ..... D6/692
- D300,886 S \* 5/1989 Johnson, Jr. .... A47B 13/02 D6/403



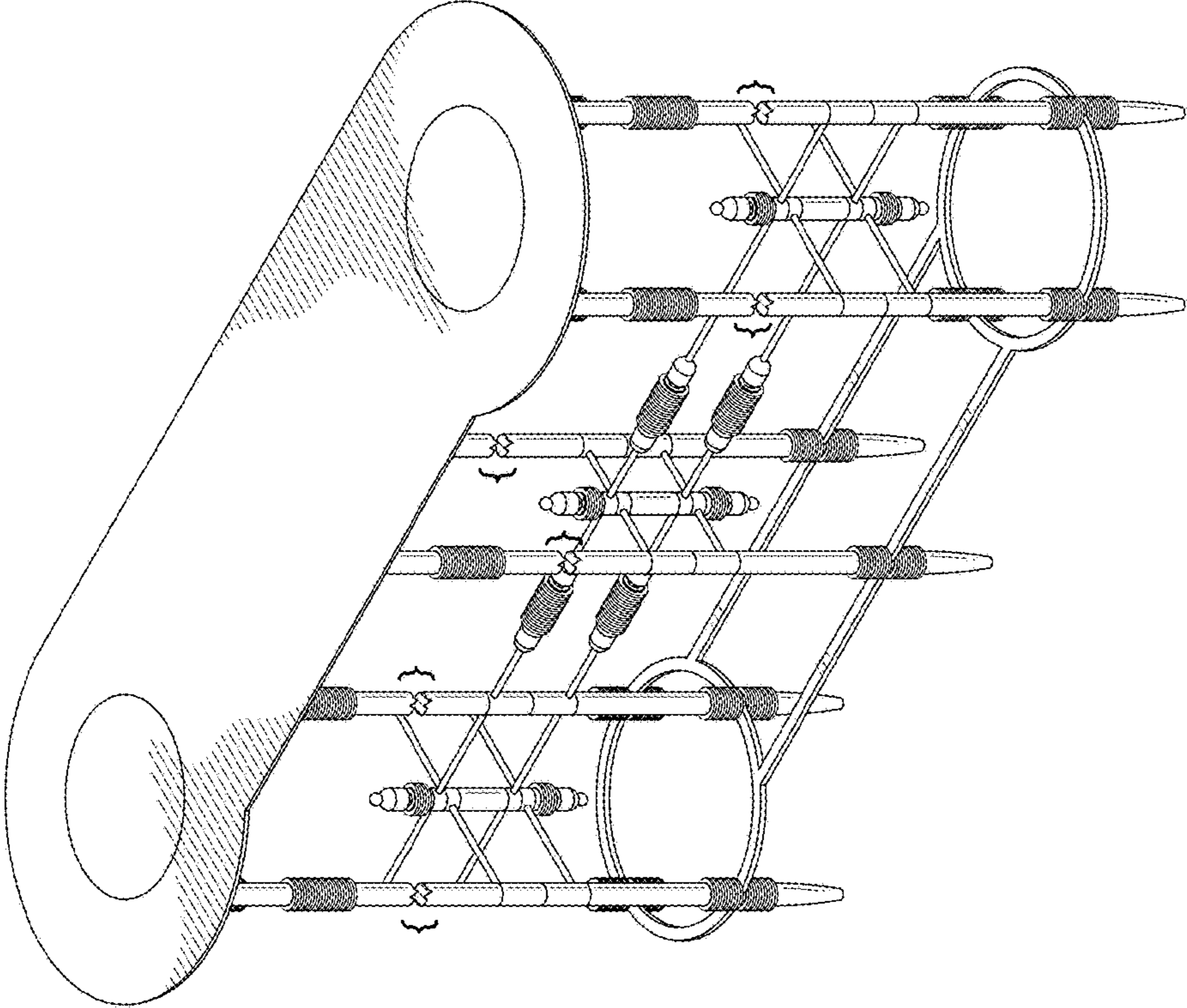


FIG.1

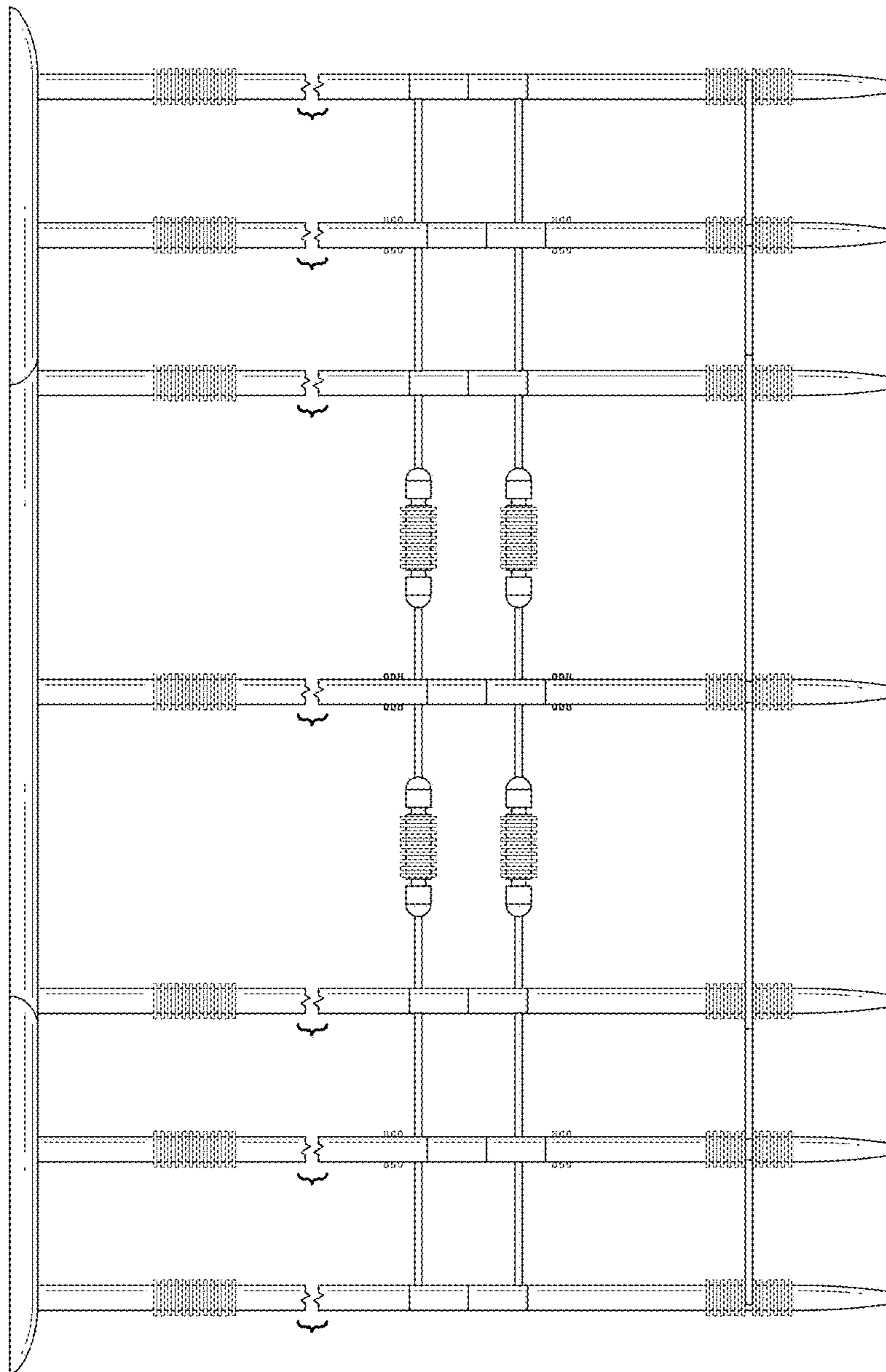


FIG.2

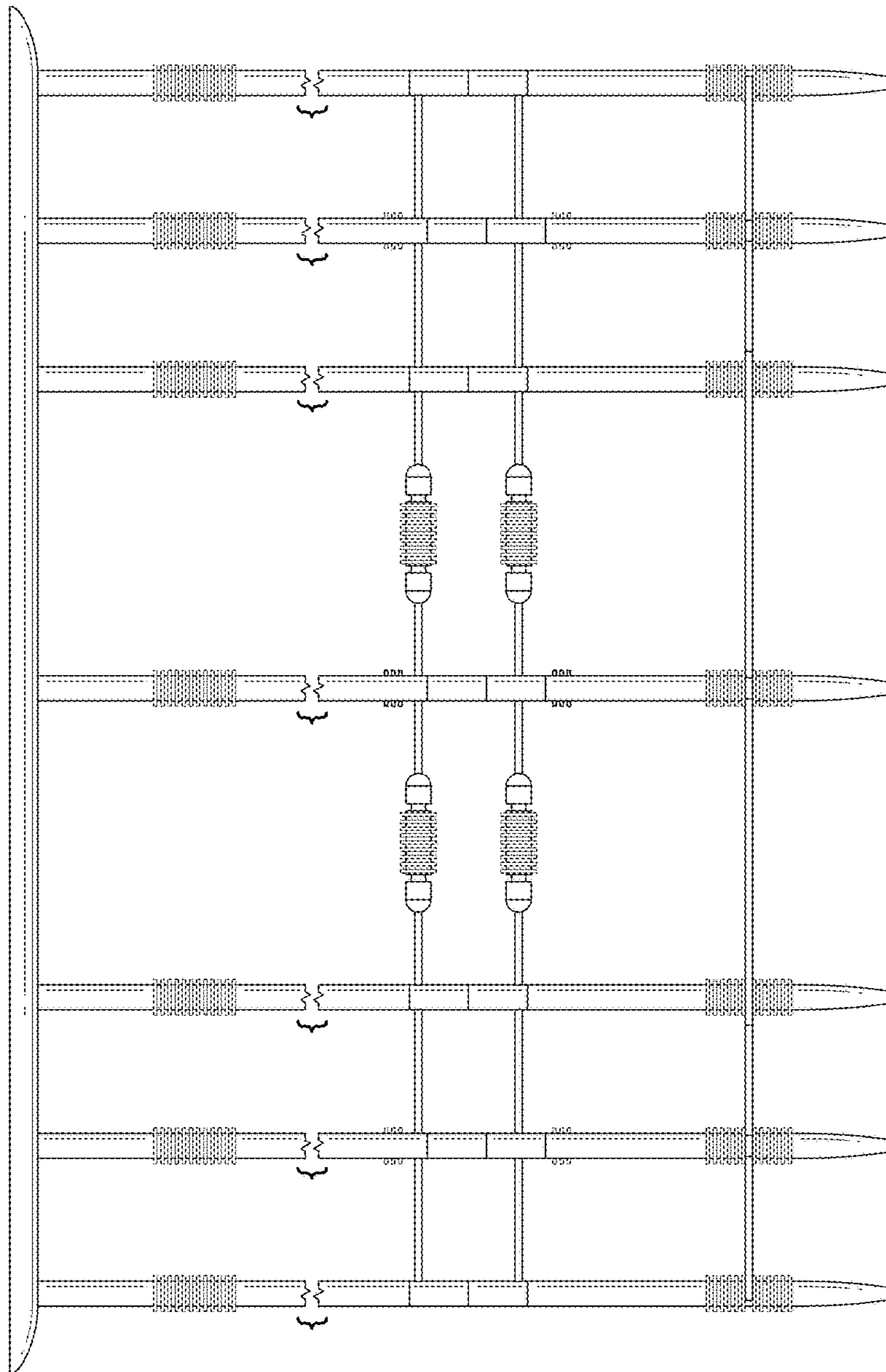


FIG.3

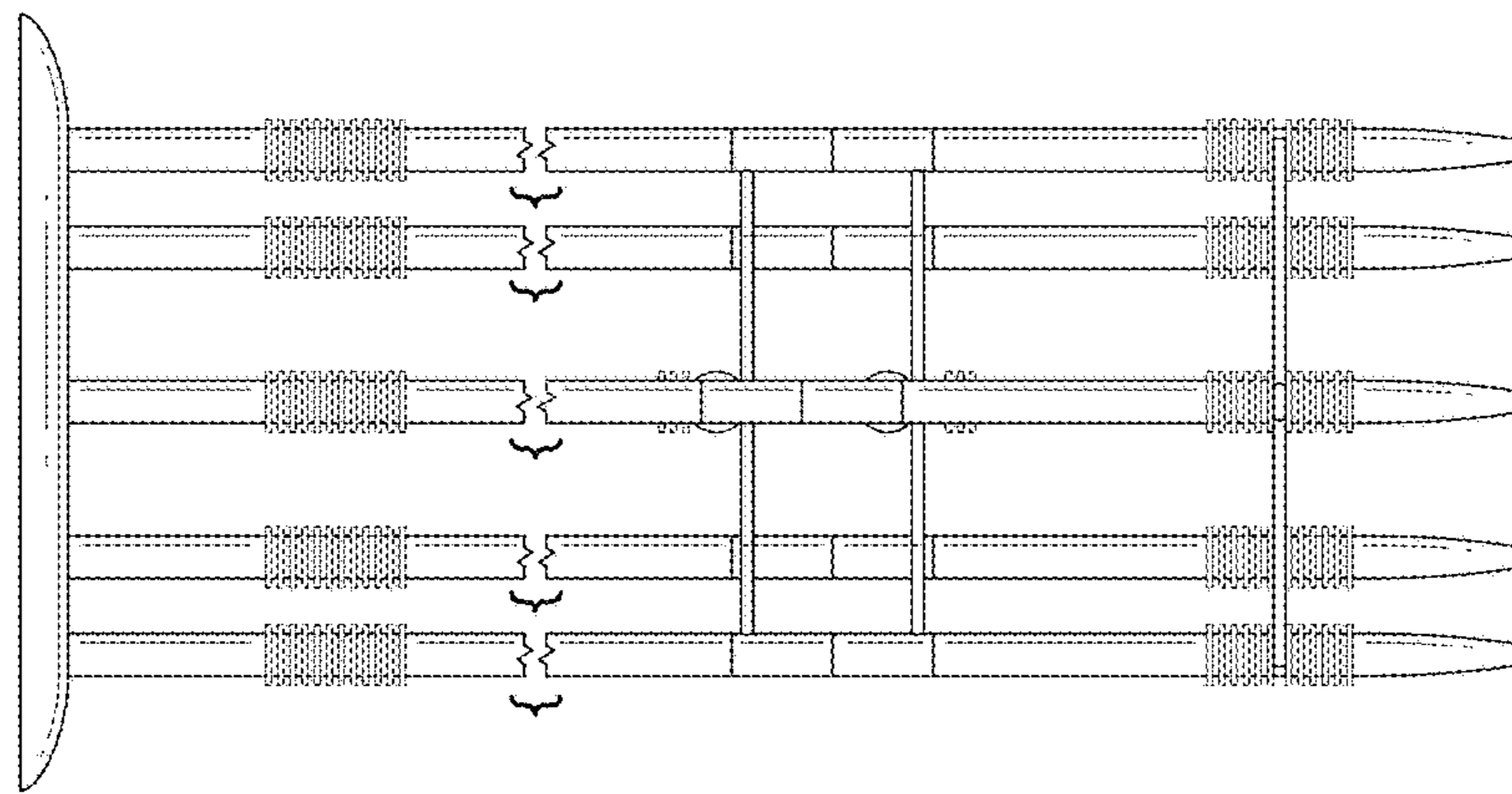


FIG.4

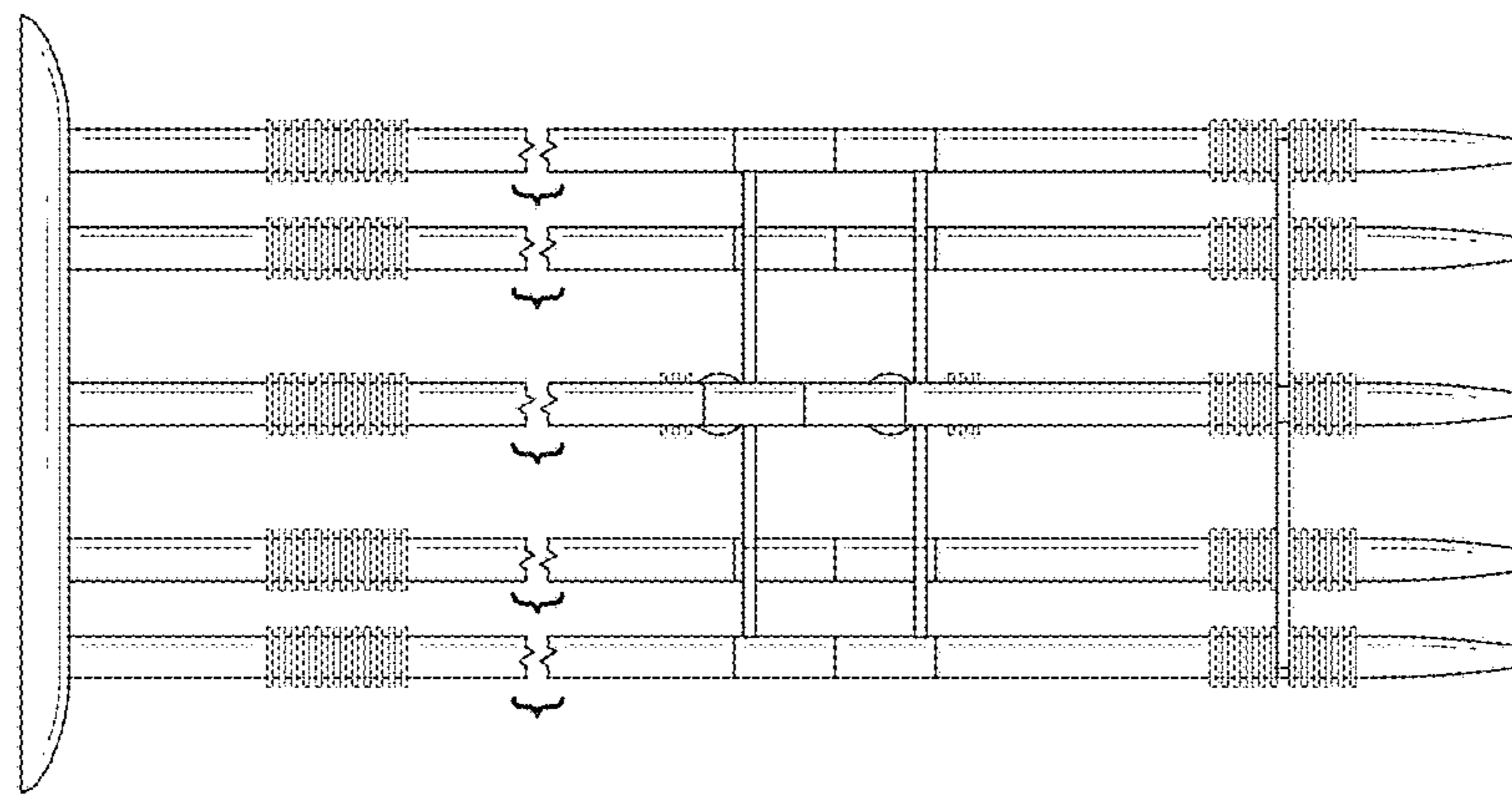


FIG. 5

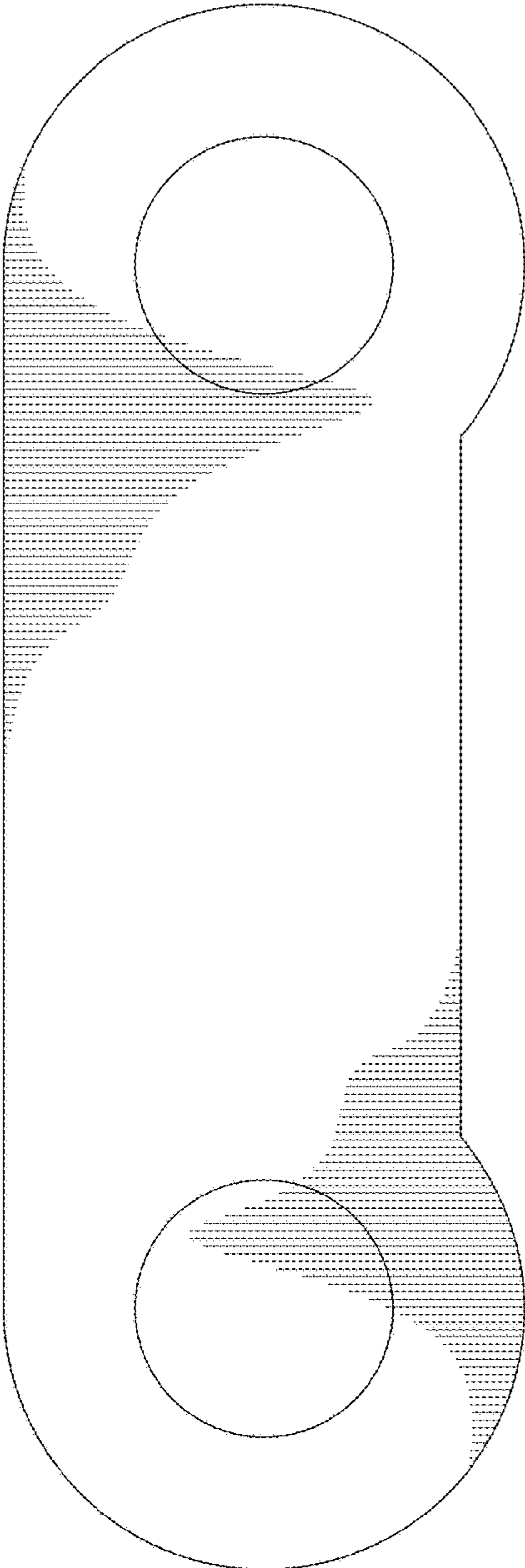


FIG.6

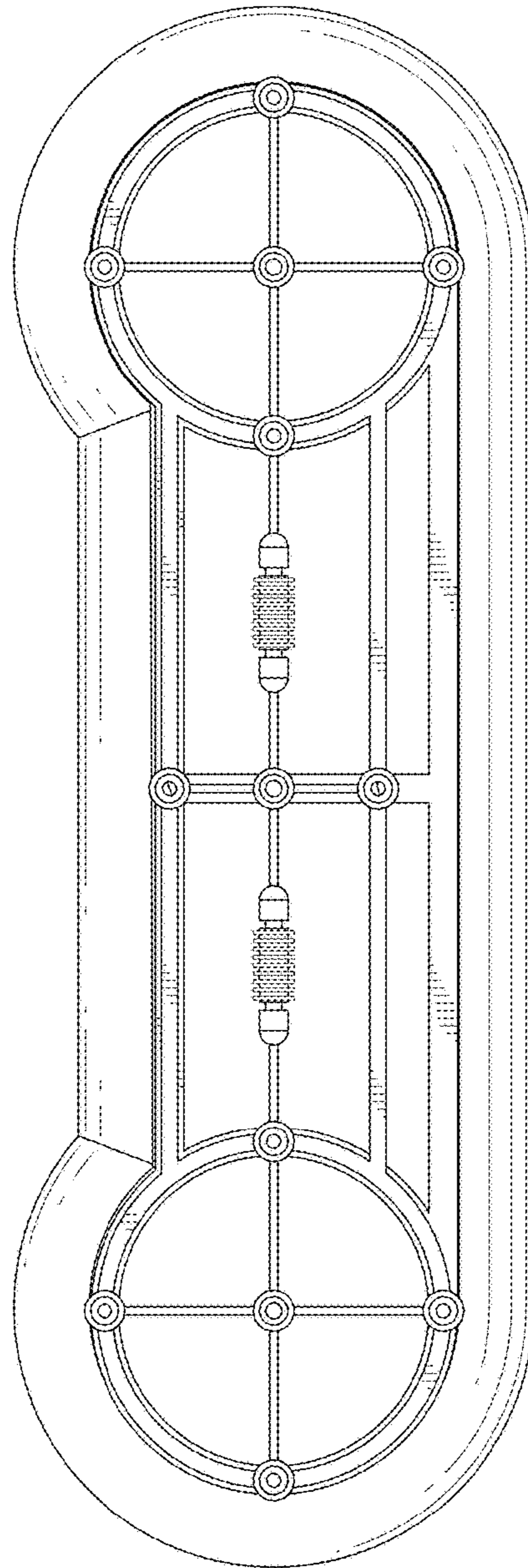


FIG. 7