



US00D863847S

(12) **United States Design Patent**  
**Shemer**

(10) **Patent No.:** **US D863,847 S**  
(45) **Date of Patent:** **\*\* Oct. 22, 2019**

(54) **TABLE**  
(71) Applicant: **KETER PLASTIC LTD., Herzelyia**  
(IL)  
(72) Inventor: **Eran Shemer, Tel Aviv (IL)**  
(73) Assignee: **KETER PLASTIC LTD., Herzelyia**  
(IL)

D263,910 S \* 4/1982 Robertson ..... A47B 7/00  
D6/691.1  
D385,728 S \* 11/1997 Mulligan ..... D6/691.1  
6,231,015 B1 \* 5/2001 Kun ..... A47C 16/00  
108/118  
D829,476 S \* 10/2018 Bernardi ..... A47B 95/043  
D6/691.1  
D832,606 S \* 11/2018 Shemer ..... D6/349  
2010/0043679 A1 \* 2/2010 Laws ..... A47B 95/043  
108/64

(\*\*) Term: **15 Years**  
(21) Appl. No.: **29/613,439**  
(22) Filed: **Aug. 10, 2017**

\* cited by examiner  
*Primary Examiner* — Mary Ann Calabrese  
(74) *Attorney, Agent, or Firm* — Vorys, Sater, Seymour & Pease LLP

(30) **Foreign Application Priority Data**  
Feb. 12, 2017 (IL) ..... 59945  
(51) **LOC (12) Cl.** ..... **06-03**  
(52) **U.S. Cl.**  
USPC ..... **D6/691**  
(58) **Field of Classification Search**  
USPC ..... D6/349, 641, 642, 685, 686, 691,  
D6/691.1–691.9, 692, 702, 708, 711  
CPC ..... A47B 7/00; A47B 13/00; A47B 13/003;  
A47B 13/02; A47B 13/04; A47B 13/06;  
A47B 13/08; A47B 13/12; A47B 21/00;  
A47B 2200/0001; A47B 2200/0011  
See application file for complete search history.

(56) **References Cited**  
U.S. PATENT DOCUMENTS  
3,049,386 A \* 8/1962 Prud Homme ..... A47B 7/00  
108/153.1  
4,190,001 A \* 2/1980 Cecala ..... A47B 13/04  
108/161

(57) **CLAIM**  
The ornamental design for a table, as shown and described.

**DESCRIPTION**  
FIG. 1 is an isometric view of a table;  
FIG. 2 is a right side elevational view of the design as seen in FIG. 1, the left side elevational view being identical to FIG. 2;  
FIG. 3 is a front elevational view of the design as seen in FIG. 1, the rear elevational view being identical to FIG. 3;  
FIG. 4 is a top plan view of the design as seen in FIG. 1; and, FIG. 5 is a bottom plan view of the design as seen in FIG. 1.  
The broken lines in the drawings and the areas shown in white overlay within them show portions of the table that form no part of the claimed design.

**1 Claim, 5 Drawing Sheets**



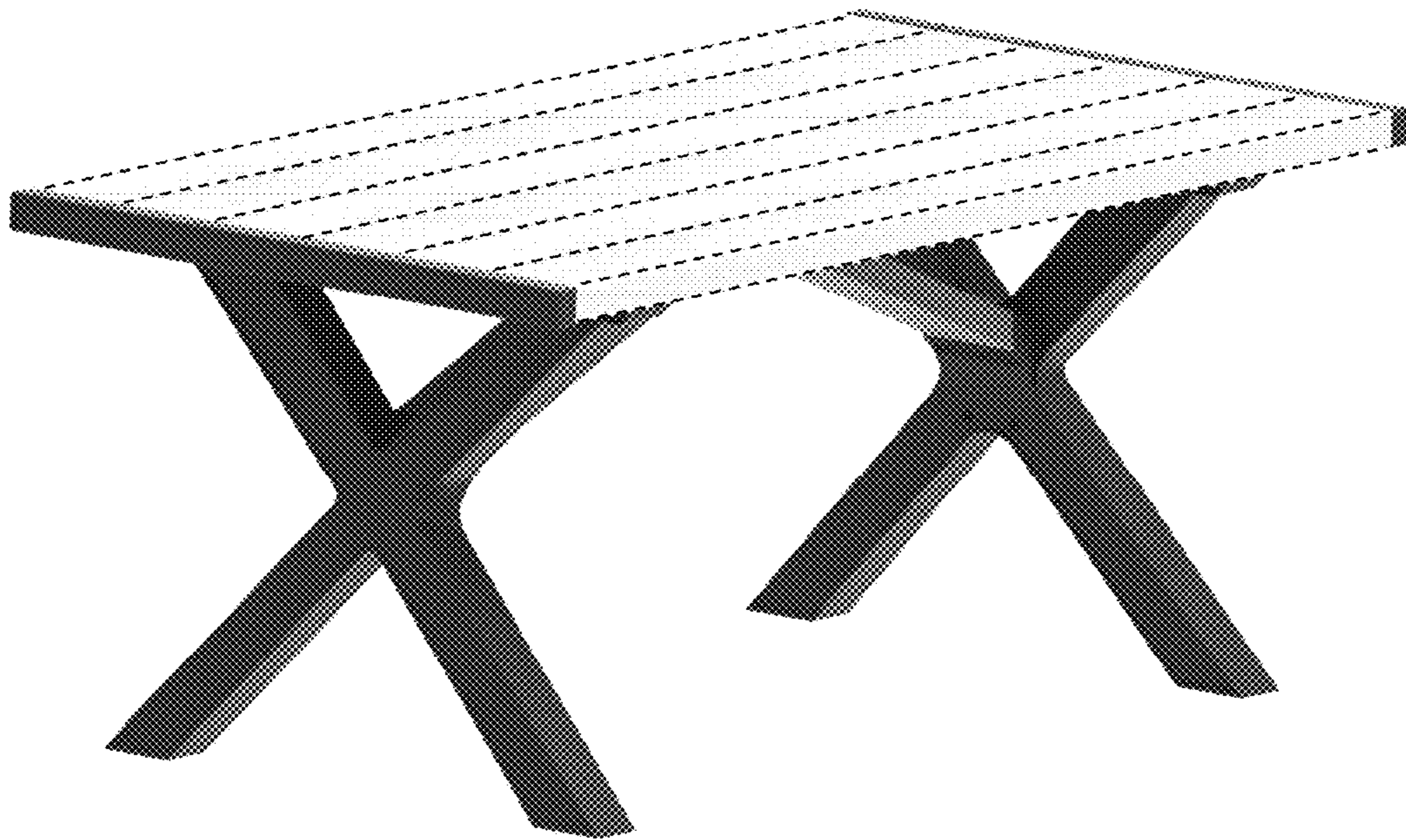


FIG. 1

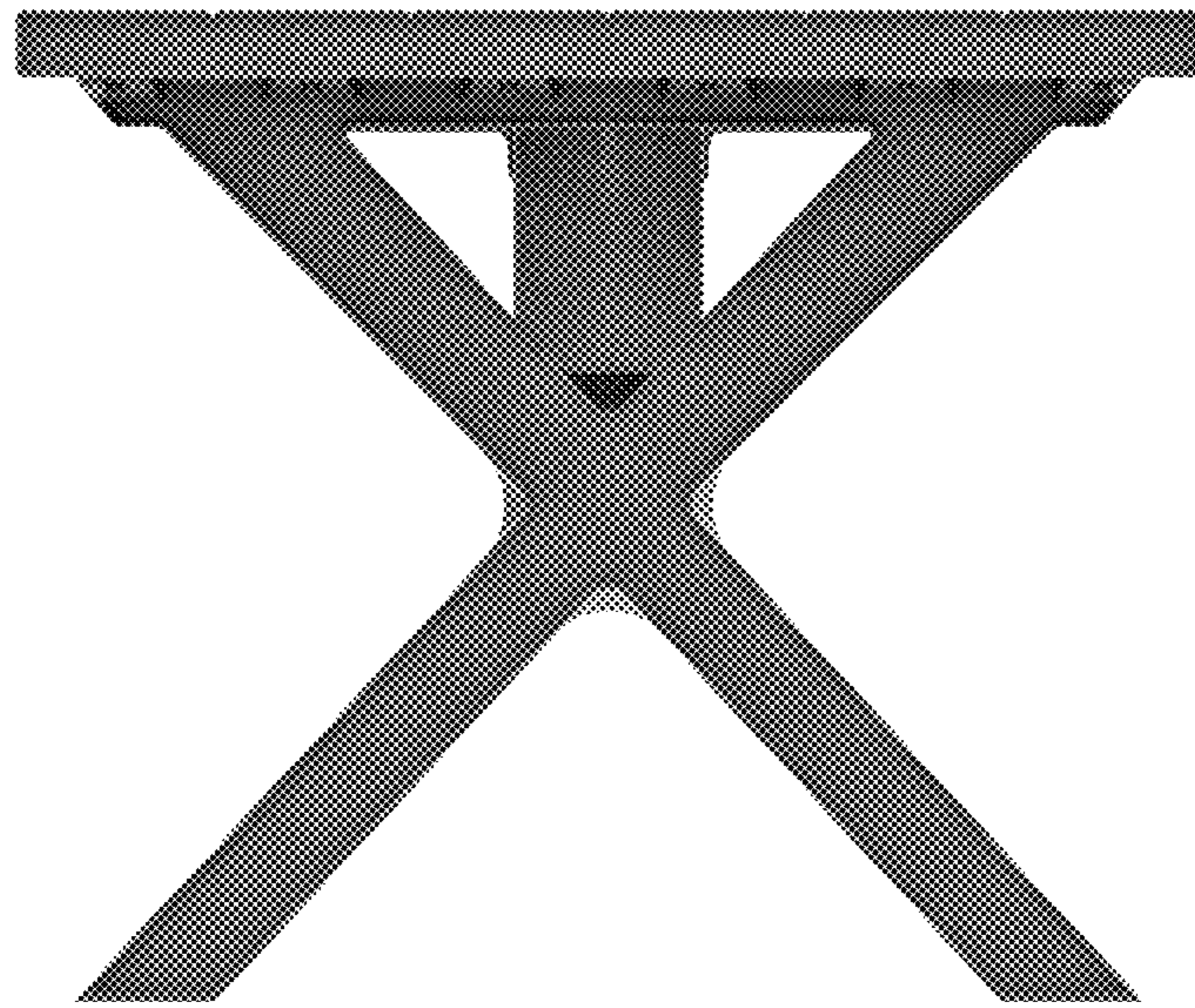


FIG. 2

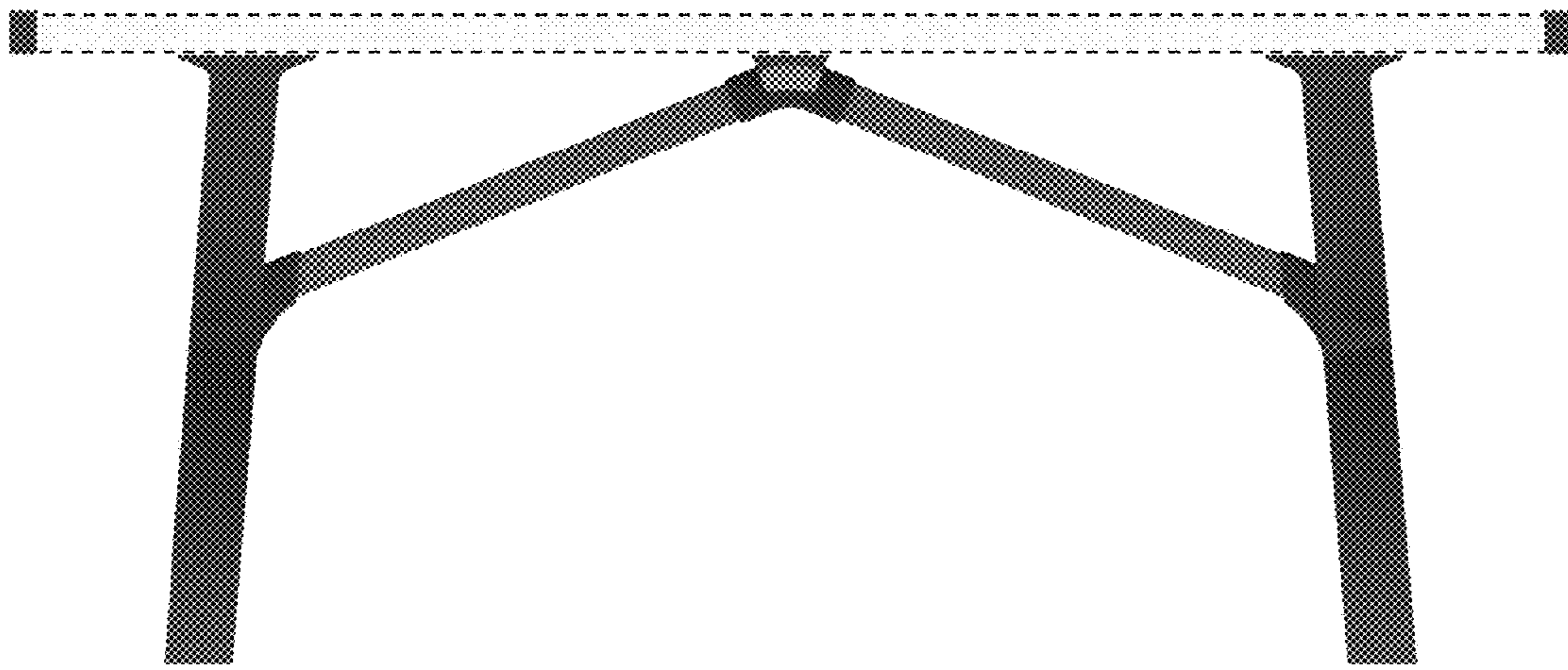


FIG. 3



FIG. 4

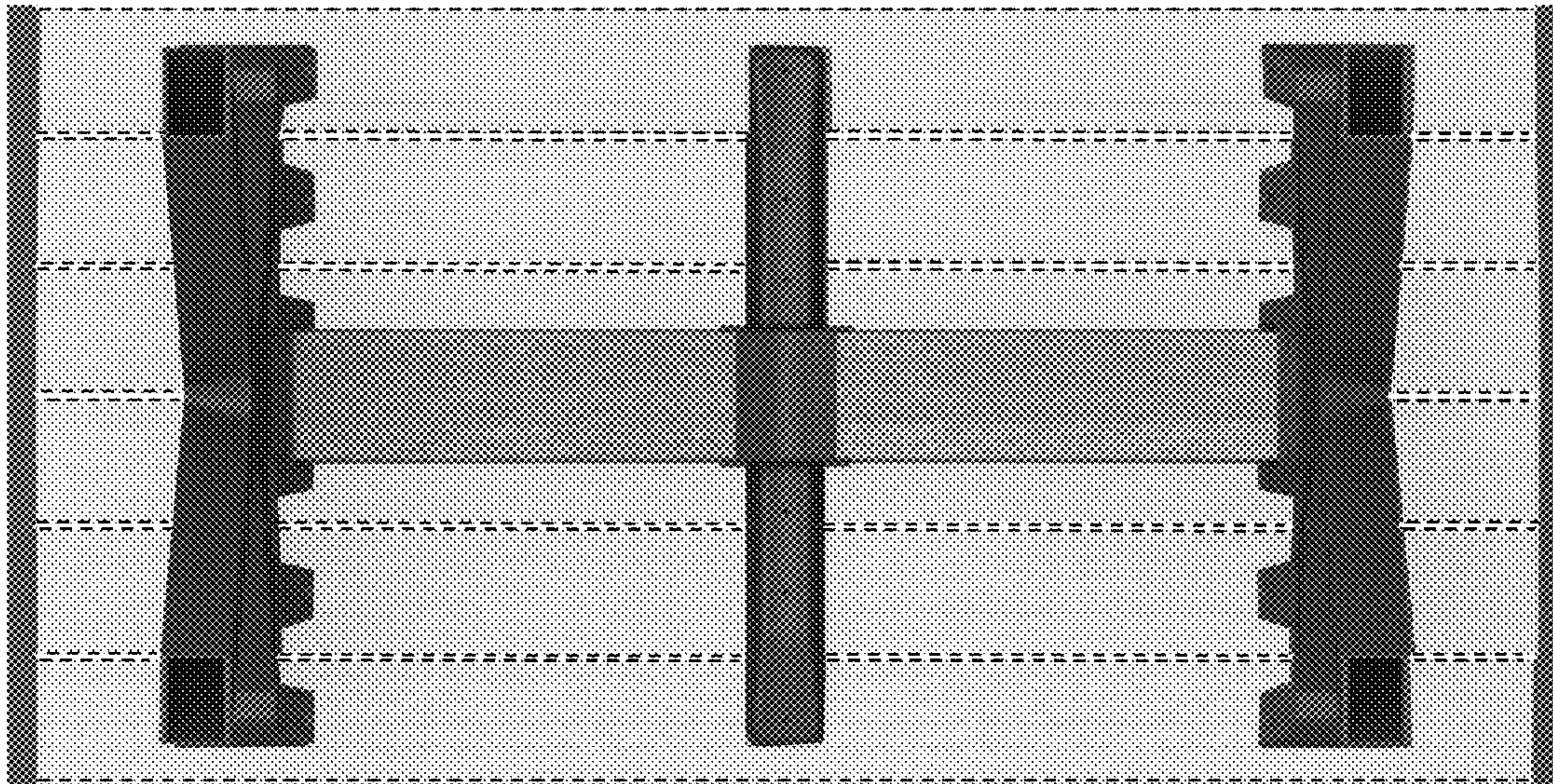


FIG. 5