



US00D863846S

(12) **United States Design Patent**
Nath et al.

(10) **Patent No.:** **US D863,846 S**
(45) **Date of Patent:** **** Oct. 22, 2019**

(54) **ENDOSCOPE CASE STAND**

(71) Applicant: **Medivators Inc.**, Minneapolis, MN
(US)
(72) Inventors: **Anoopam Nath**, St. Louis Park, MN
(US); **Thomas E. Eibs**, Minnetonka,
MN (US); **Duane Johnson**, St. Paul,
MN (US); **Jacob Huseby**, St. Paul, MN
(US)
(73) Assignee: **Medivators Inc.**, Minneapolis, MN
(US)

(**) Term: **15 Years**

(21) Appl. No.: **29/668,512**

(22) Filed: **Oct. 31, 2018**

(51) **LOC (12) Cl.** **06-06**

(52) **U.S. Cl.**
USPC **D6/682.3**

(58) **Field of Classification Search**
USPC D6/672-673, 678, 680, 682, 682.3;
D17/9, 20; D14/229, 447
CPC .. A47F 7/00; A47F 7/0042; A47F 5/10; A47F
5/16

See application file for complete search history.

(56) **References Cited**

U.S. PATENT DOCUMENTS

D308,537 S *	6/1990	Clark	D18/59
D647,667 S *	10/2011	Siklosi	D30/130
D760,000 S *	6/2016	Brandes	D6/682.3
D796,277 S *	9/2017	Stiffel	D7/701
D797,451 S *	9/2017	Levy	D3/304
D837,624 S *	1/2019	Tang	D8/71

* cited by examiner

Primary Examiner — Kelley A Donnelly

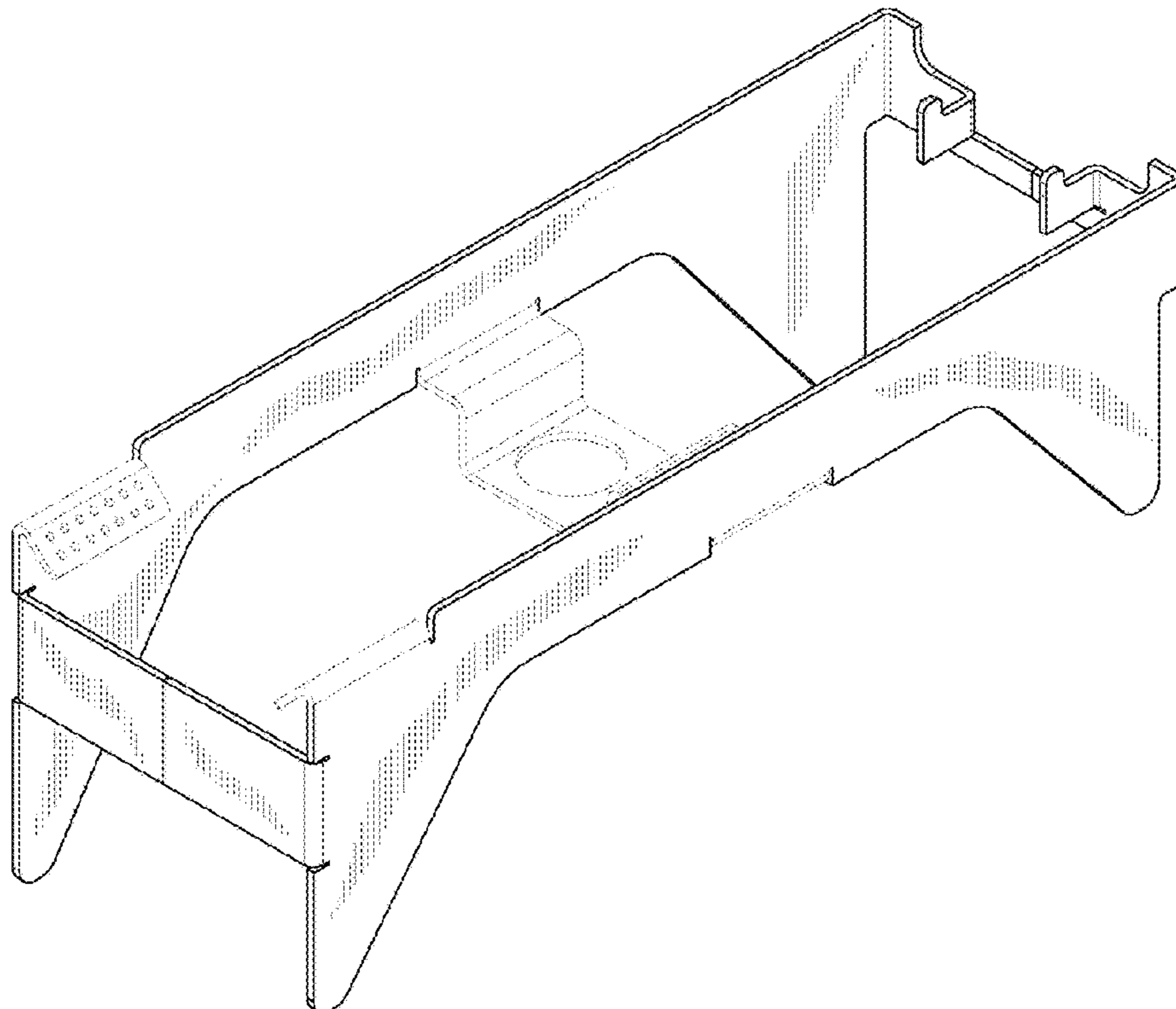
(57) **CLAIM**

The ornamental design for an endoscope case stand, as shown and described.

DESCRIPTION

FIG. 1 is a perspective view of an endoscope case stand; FIG. 2 is a top view of the endoscope case stand; FIG. 3 is a bottom view of the endoscope case stand; FIG. 4 is a side view of the endoscope case stand; FIG. 5 is a side view of the endoscope case stand; FIG. 6 is a front view of the endoscope case stand; and, FIG. 7 is a back view of the endoscope case stand. The broken lines in the figures are for illustrative purposes and form no part of the claimed design.

1 Claim, 6 Drawing Sheets



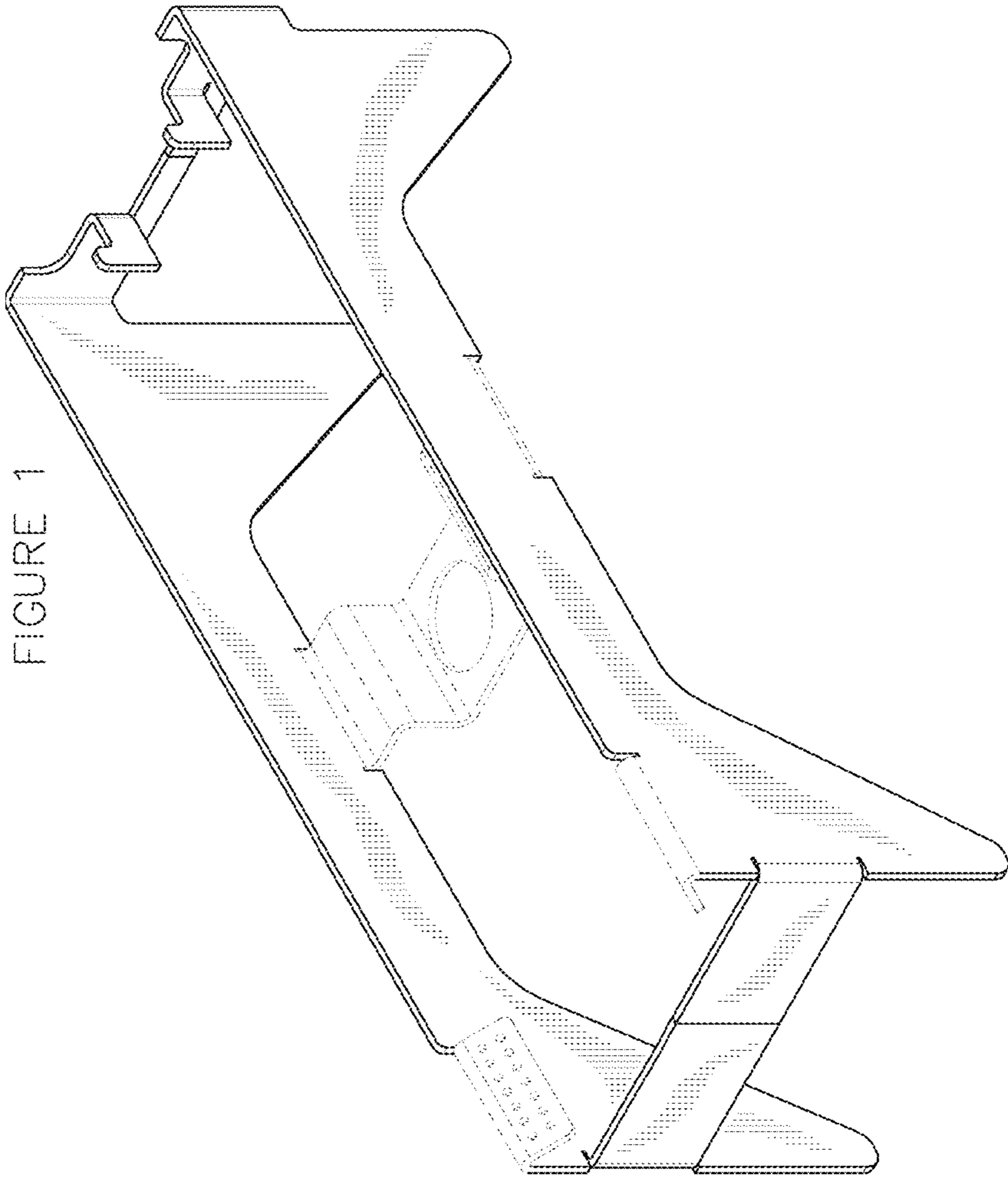


FIGURE 1

FIGURE 2

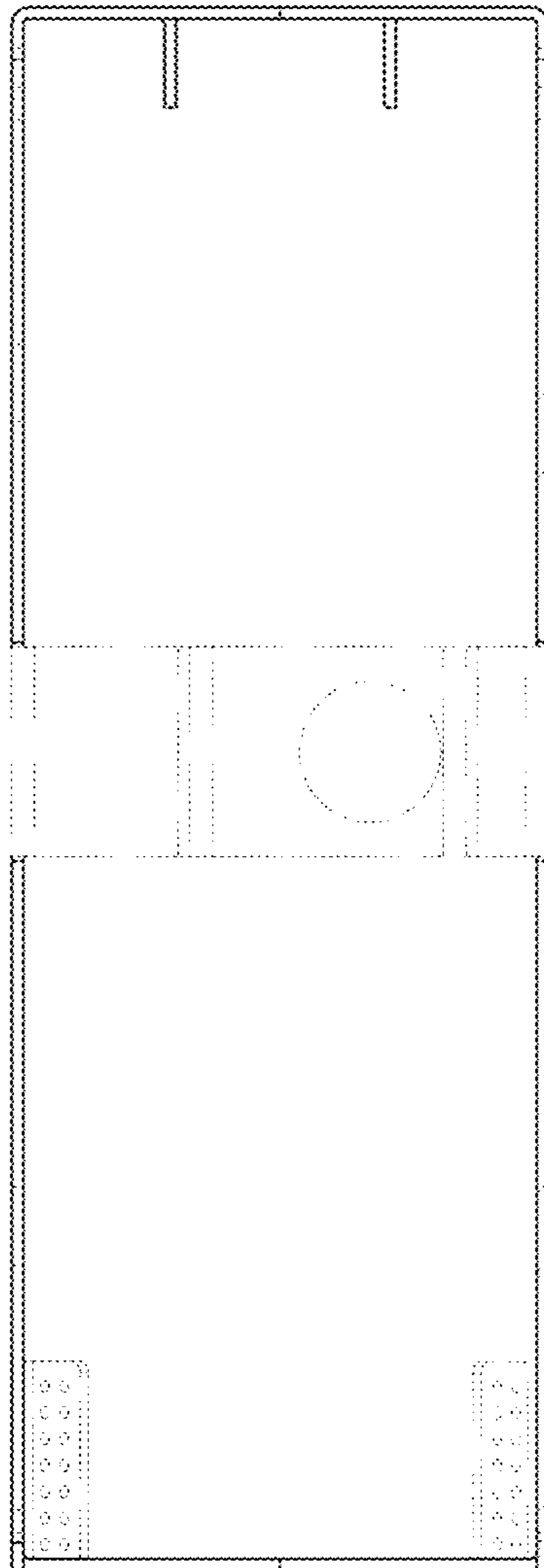


FIGURE 3

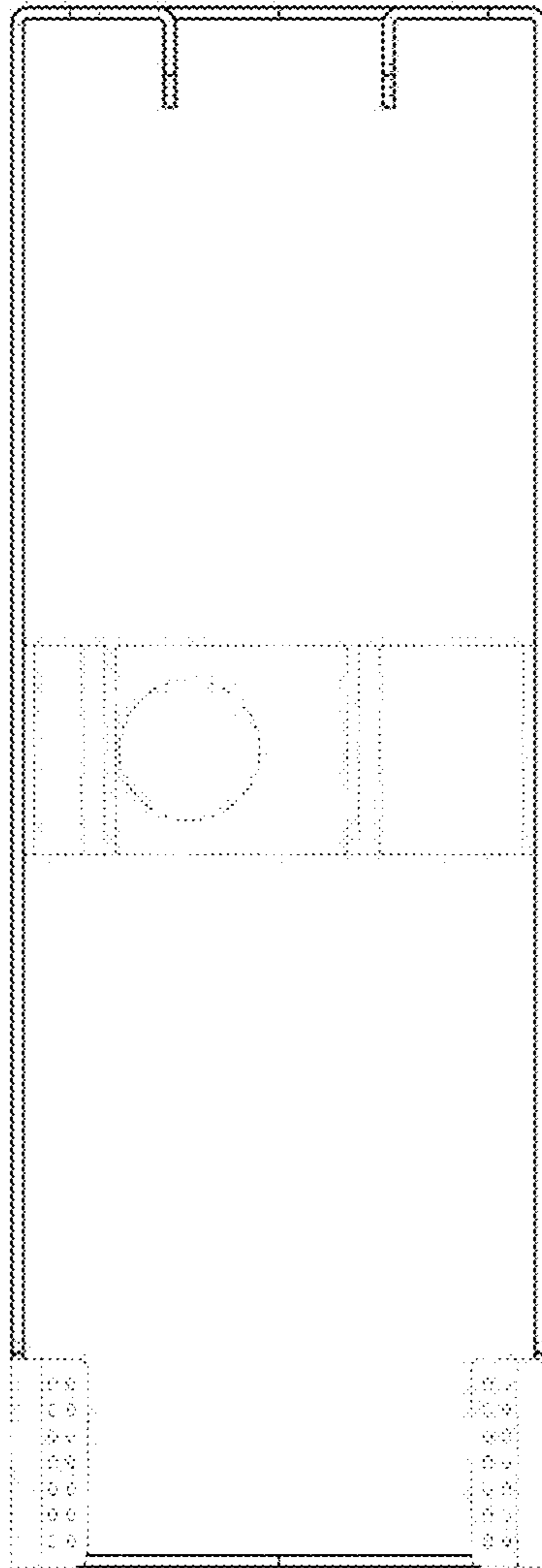


FIGURE 4

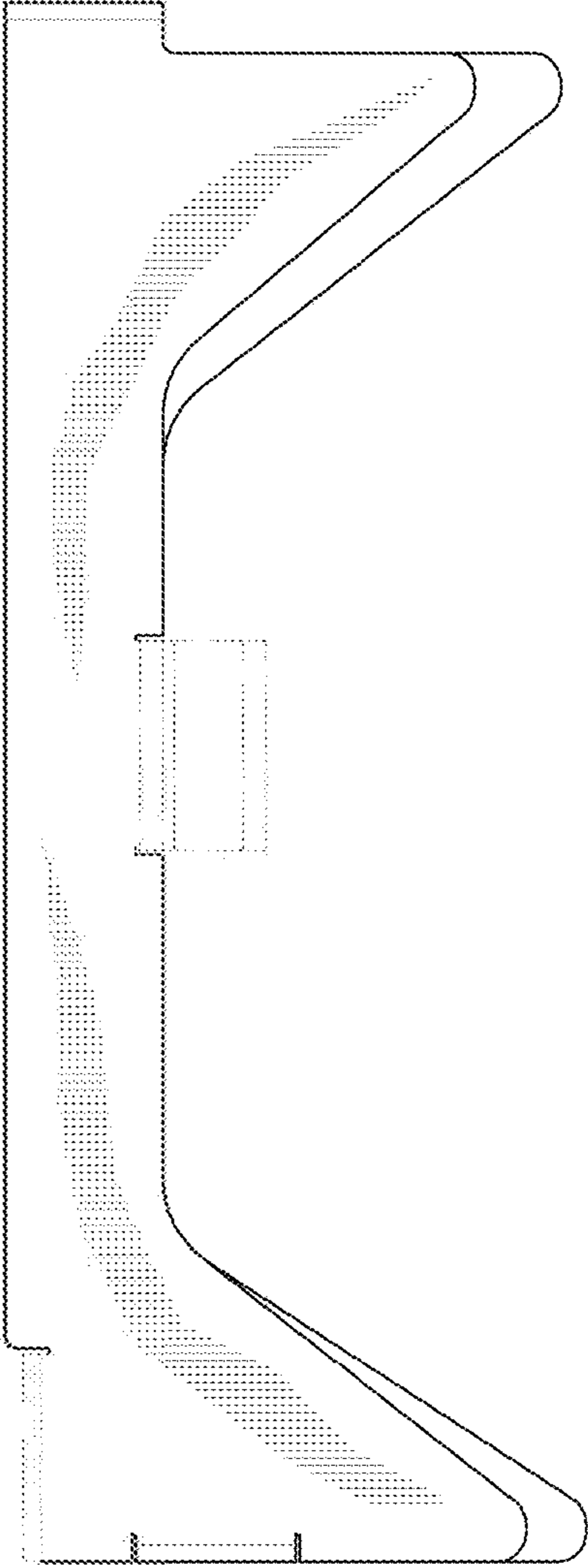


FIGURE 5

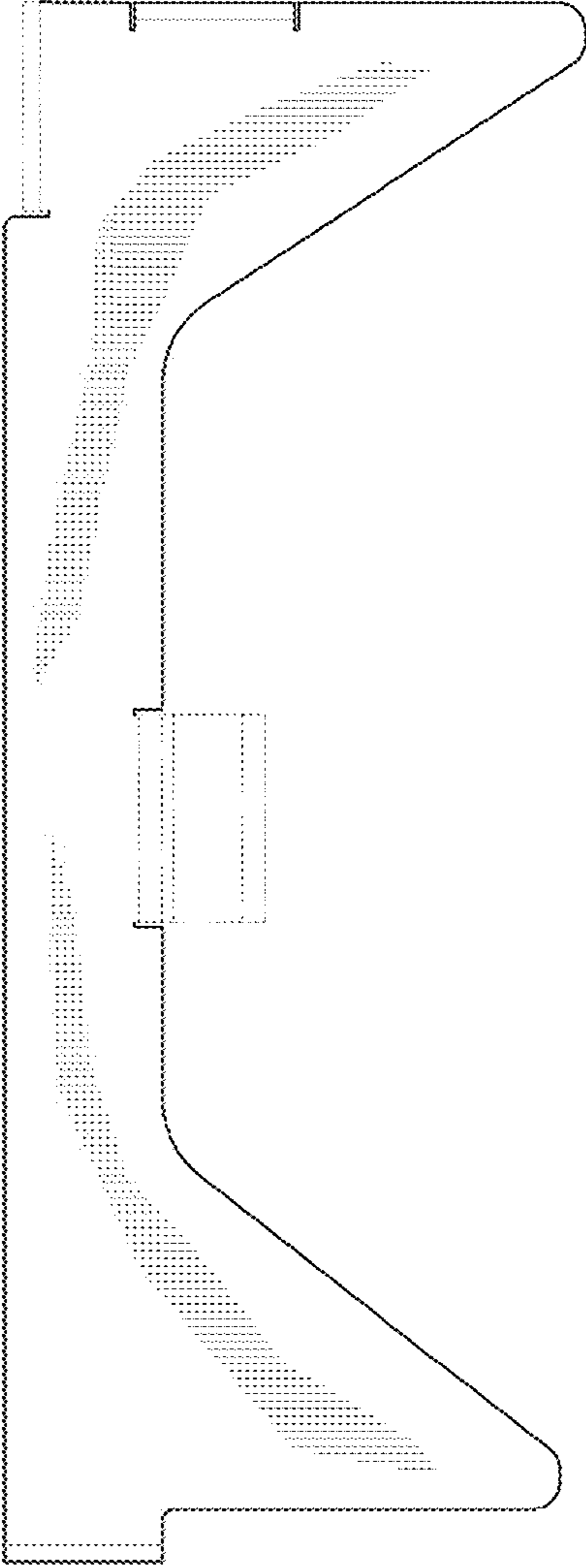


FIGURE 7

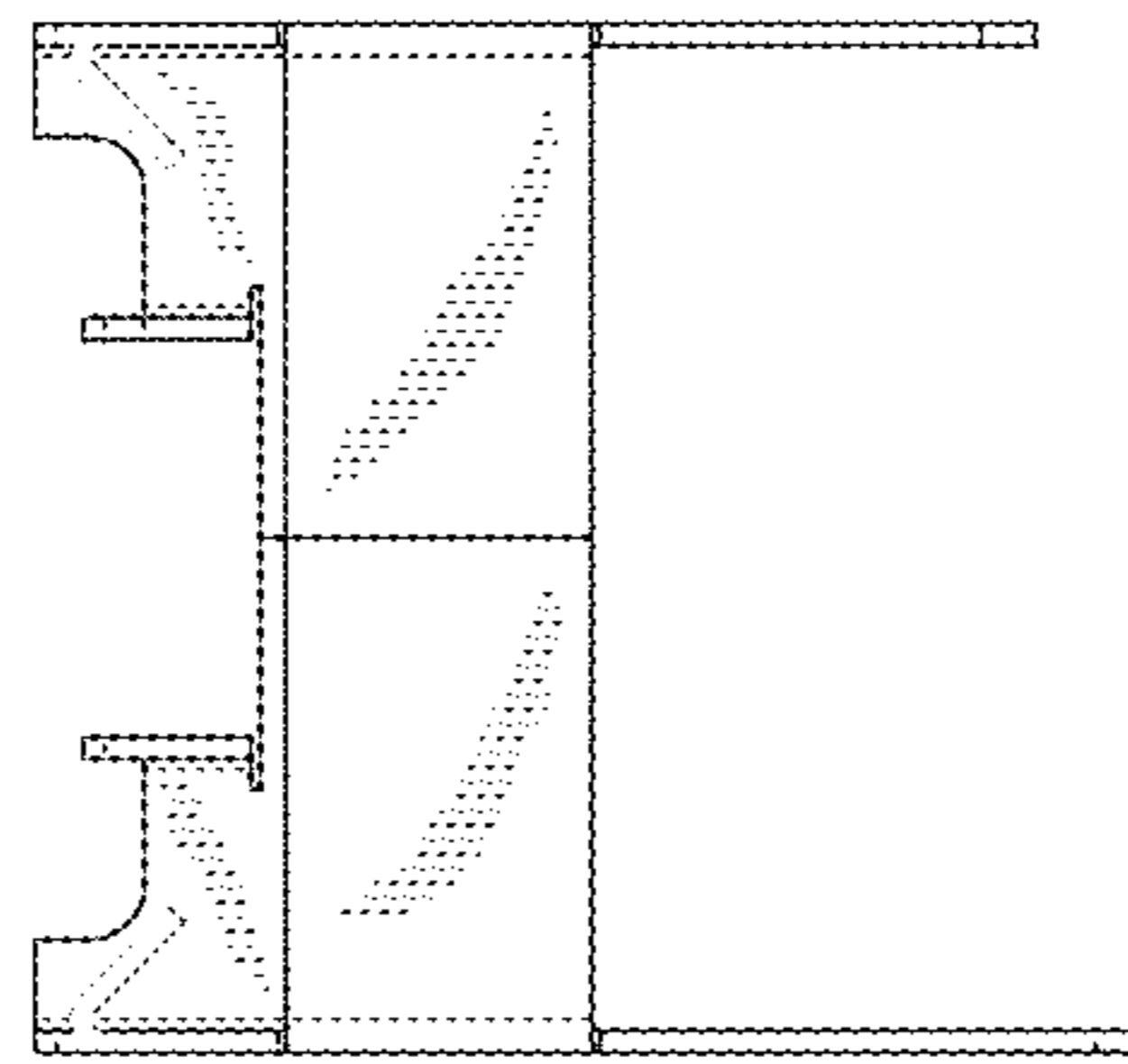


FIGURE 6

