

US00D863845S

(12) **United States Design Patent** (10) **Patent No.:** **US D863,845 S**
Santarelli (45) **Date of Patent:** **** Oct. 22, 2019**

(54) **GREETING CARD PICK STRIP PANEL**

(74) *Attorney, Agent, or Firm* — Christine Flanagan

(71) Applicant: **American Greetings Corporation**,
Cleveland, OH (US)

(57) **CLAIM**

The ornamental design for a greeting card pick strip panel,
as shown and described.

(72) Inventor: **Anthony Santarelli**, North Olmsted,
OH (US)

DESCRIPTION

(73) Assignee: **American Greetings Corporation**,
Cleveland, OH (US)

FIG. 1 is a perspective view of the greeting card pick strip
panel of the present invention, showing greeting cards in the
various pockets.

(**) Term: **15 Years**

FIG. 2 is a perspective view of the greeting card pick strip
panel of FIG. 1, without greeting cards.

(21) Appl. No.: **29/660,388**

FIG. 3 is a front elevation view of the greeting card pick strip
panel of FIG. 2.

(22) Filed: **Aug. 21, 2018**

FIG. 4 is a rear elevation view of the greeting card pick strip
panel of FIG. 2.

(51) **LOC (12) Cl.** **06-06**

FIG. 5 is a right side elevation view of the greeting card pick
strip panel of FIG. 2.

(52) **U.S. Cl.**

FIG. 6 is a left side elevation view of the greeting card pick
strip panel of FIG. 2.

USPC **D6/682.2**

FIG. 7 is a top plan view of the greeting card pick strip panel
of FIG. 2.

(58) **Field of Classification Search**

FIG. 8 is a bottom plan view of the greeting card pick strip
panel of FIG. 2.

USPC D6/672, 675, 675.1, 675.4, 682, 682.1,
D6/682.2, 683, 683.1

FIG. 9 is a perspective view of a second embodiment of the
greeting card pick strip panel of the present invention.

CPC .. A47F 1/00; A47F 1/04; A47F 5/0018; A47F
5/0884; A47F 5/103; A47F 7/0007; A47F
7/0028

FIG. 10 is a front elevation view of the greeting card pick
strip panel of FIG. 9.

See application file for complete search history.

FIG. 11 is a rear elevation view of the greeting card pick
strip panel of FIG. 9.

(56) **References Cited**

FIG. 12 is a right side elevation view of the greeting card
pick strip panel of FIG. 9.

U.S. PATENT DOCUMENTS

FIG. 13 is a left side elevation view of the greeting card pick
strip panel of FIG. 9.

3,139,133 A * 6/1964 Spector A45C 7/0095

FIG. 14 is a top plan view of the greeting card pick strip
panel of FIG. 9; and,

190/111

FIG. 15 is a bottom plan view of the greeting card pick strip
panel of FIG. 9.

D276,004 S * 10/1984 Mink D3/299

The broken lines are for the purpose of illustrating the
environment of the design only and form no part of the
claimed design.

D294,757 S * 3/1988 Kahane D3/244

D305,282 S * 1/1990 Schmidt D6/302

D312,836 S * 12/1990 Svec D19/33

D325,480 S * 4/1992 Krautsack D6/680

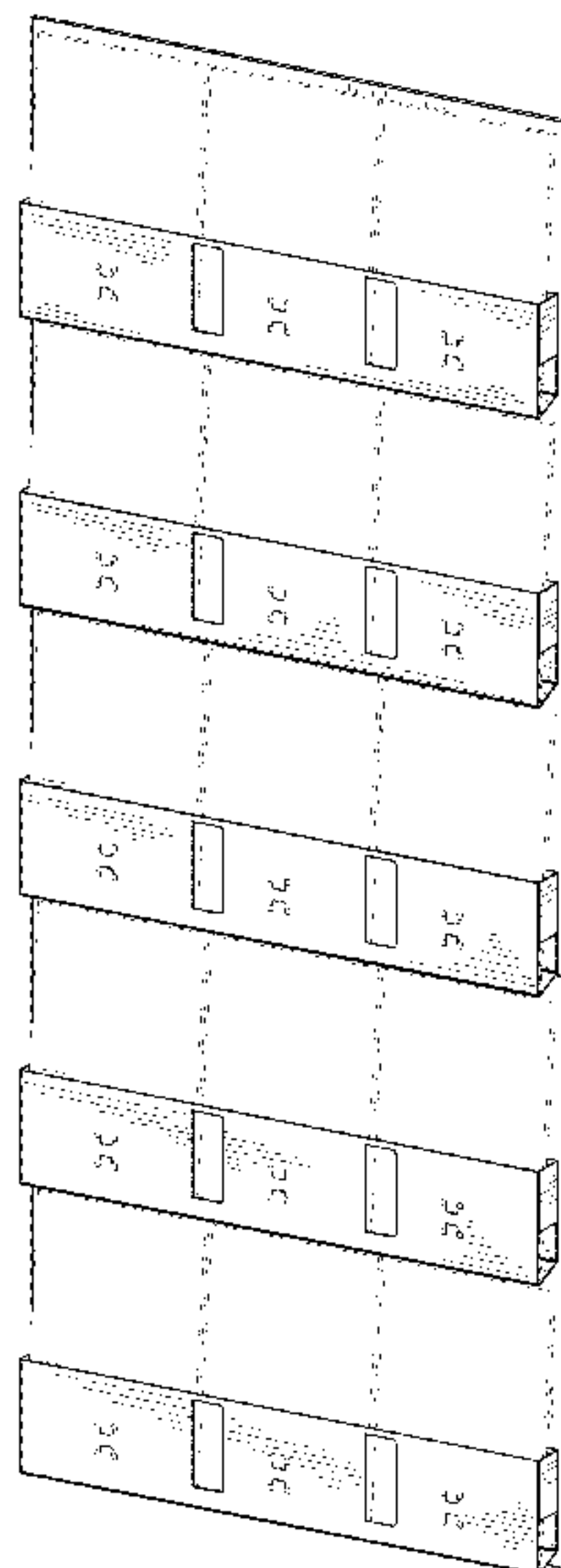
D332,697 S * 1/1993 Schildkraut D3/303

D340,156 S * 10/1993 Bonazza D6/683.1

(Continued)

Primary Examiner — Kelley A Donnelly

1 Claim, 9 Drawing Sheets



(56)

References Cited

U.S. PATENT DOCUMENTS

D370,140	S	*	5/1996	Gaietto	D6/675.3
D400,737	S	*	11/1998	DePottay	D6/682.4
D412,253	S	*	7/1999	Brozak, Jr.	D6/683.1
D427,000	S	*	6/2000	Brown	D6/629
D434,570	S	*	12/2000	Thorne	D6/301
D453,422	S	*	2/2002	Morgan	D6/301
D453,428	S	*	2/2002	Beer	D6/407
D478,234	S	*	8/2003	Beer	D6/407
D488,937	S	*	4/2004	Gillet	D20/10
D506,878	S	*	7/2005	Powell	D6/301
D587,468	S	*	3/2009	van der Lande	D6/303
D588,367	S	*	3/2009	Yager	D6/301
D595,918	S	*	7/2009	Walter	D34/27
D607,255	S	*	1/2010	Sunseri	D6/571
D627,167	S	*	11/2010	Kittrell	D3/299
D715,534	S	*	10/2014	Reaux	D3/203.1
8,915,354	B1		12/2014	Smith		
9,578,978	B2		2/2017	Frost		
9,629,484	B2		4/2017	Brozak		
D801,048	S	*	10/2017	Yeh	D3/299

* cited by examiner

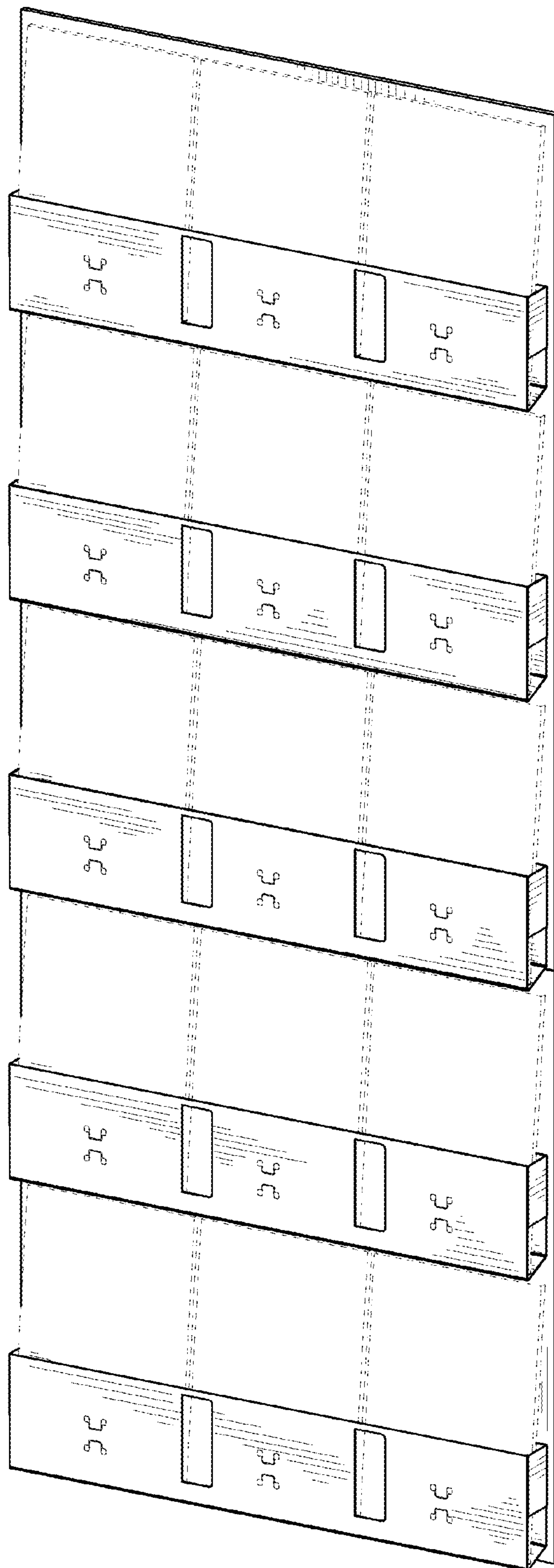
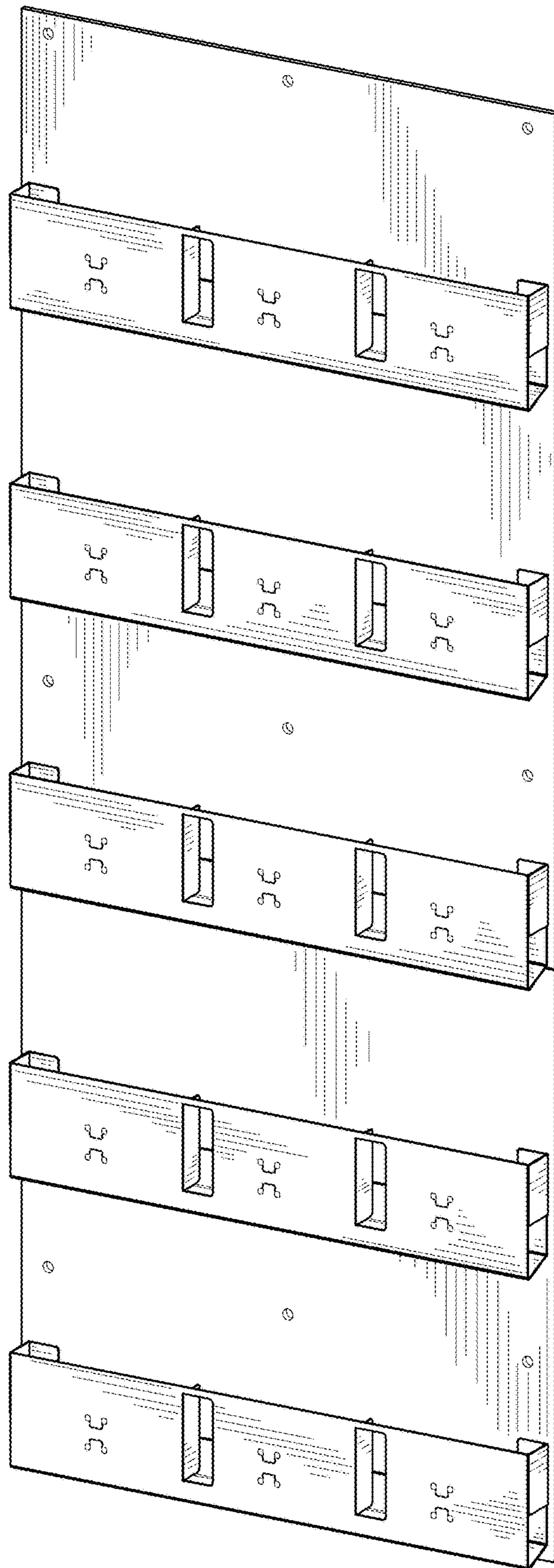


Fig. 1

Fig. 2



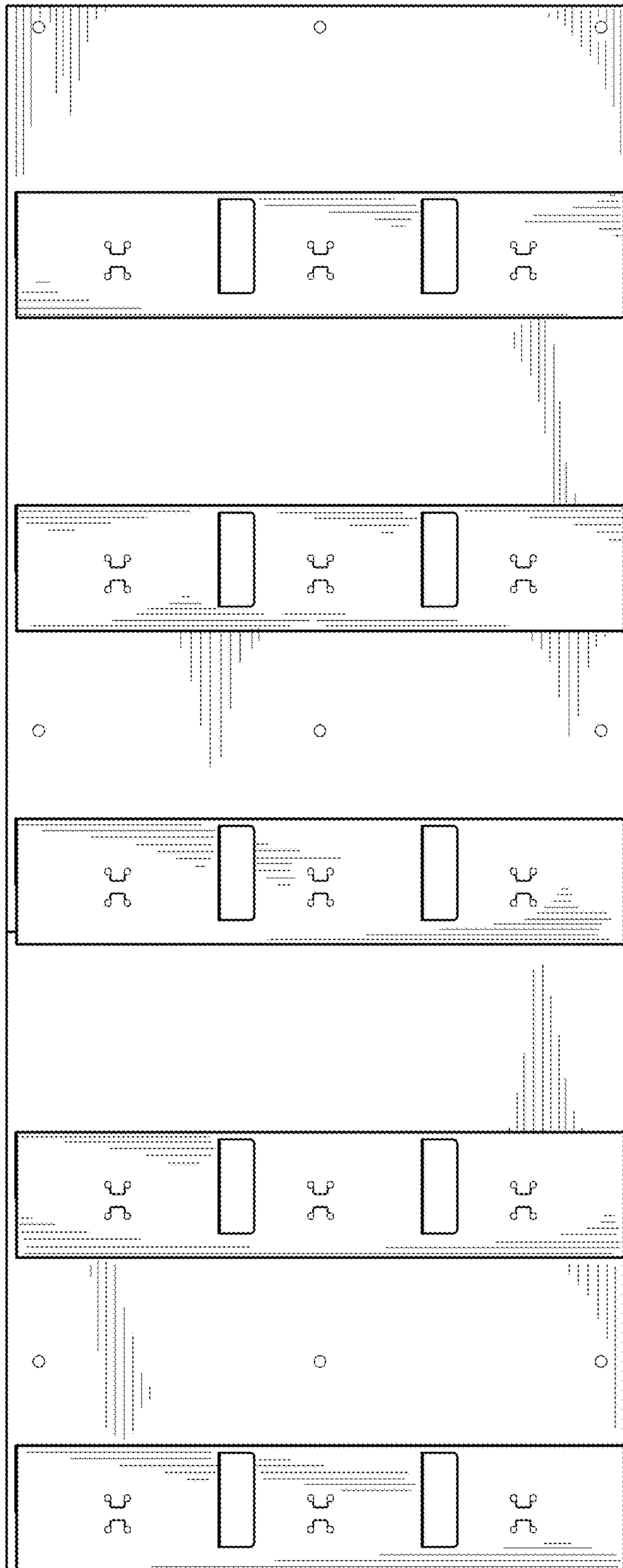


Fig. 3

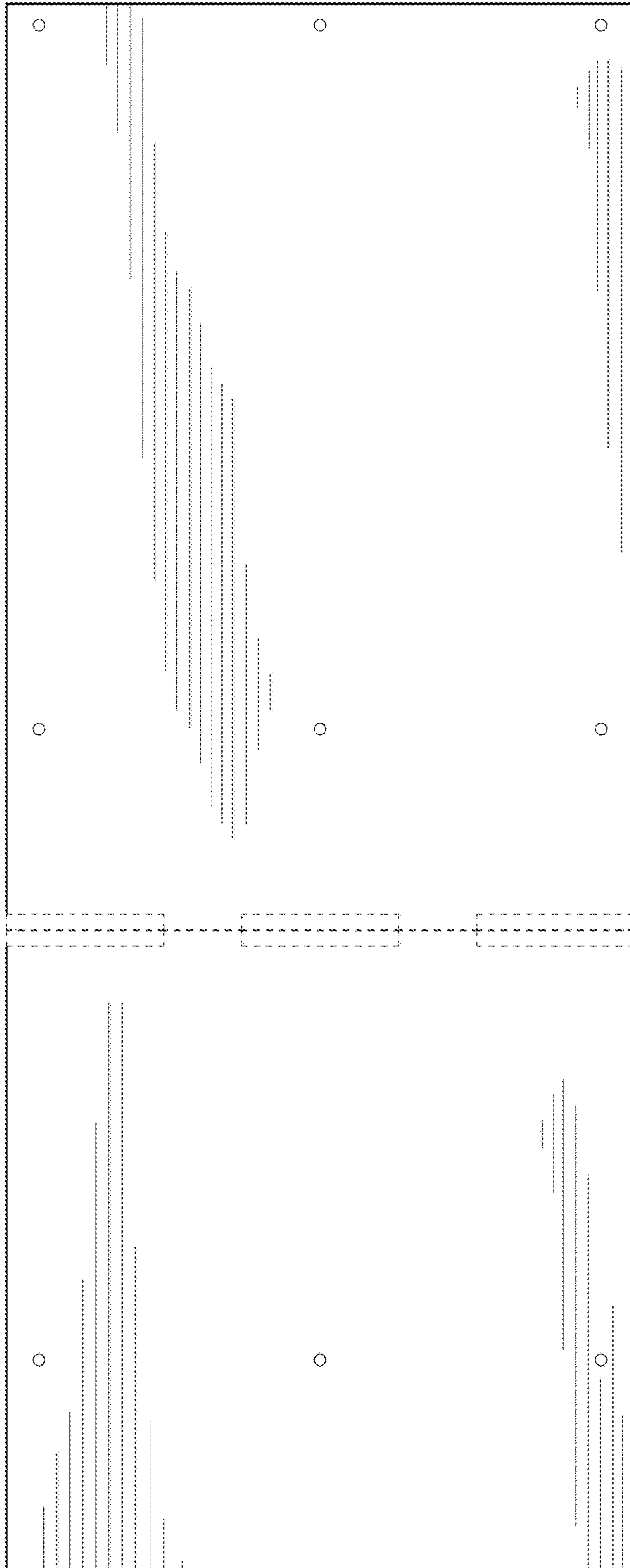


Fig. 4



Fig. 5

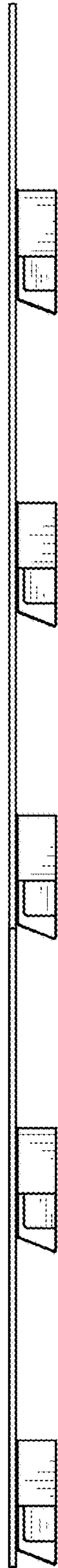


Fig. 6

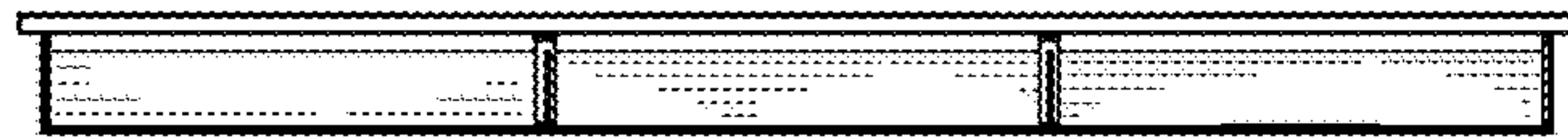


Fig. 7



Fig. 8

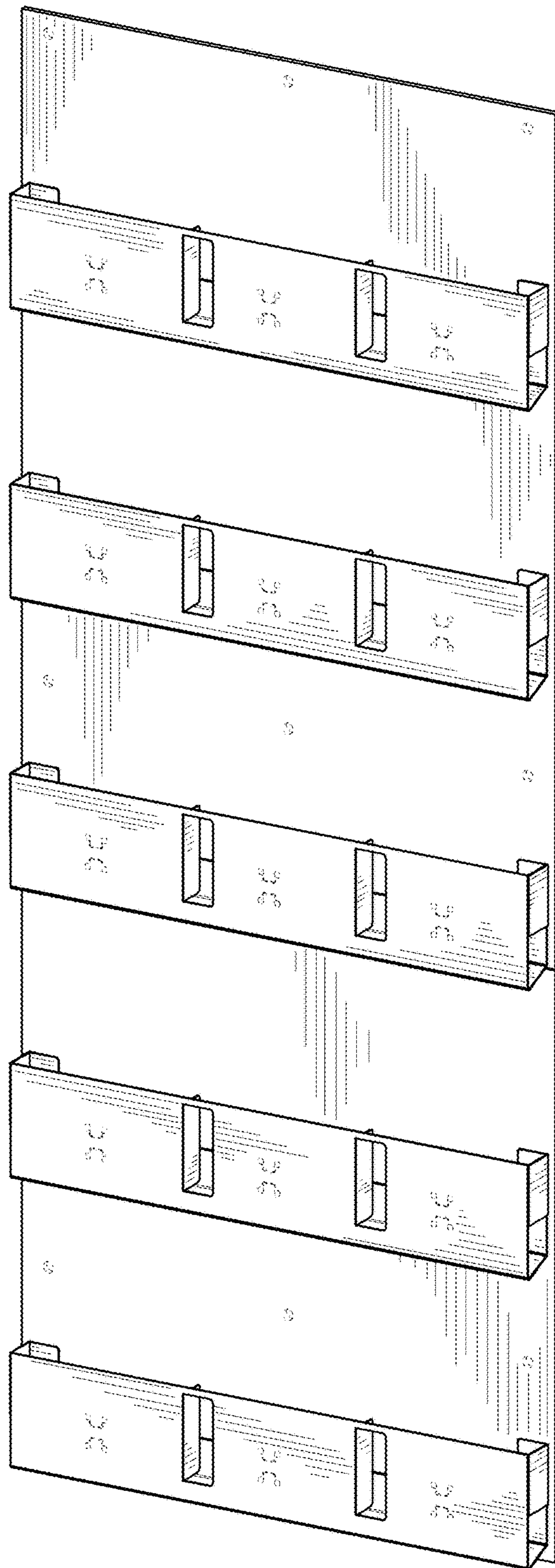


Fig. 9

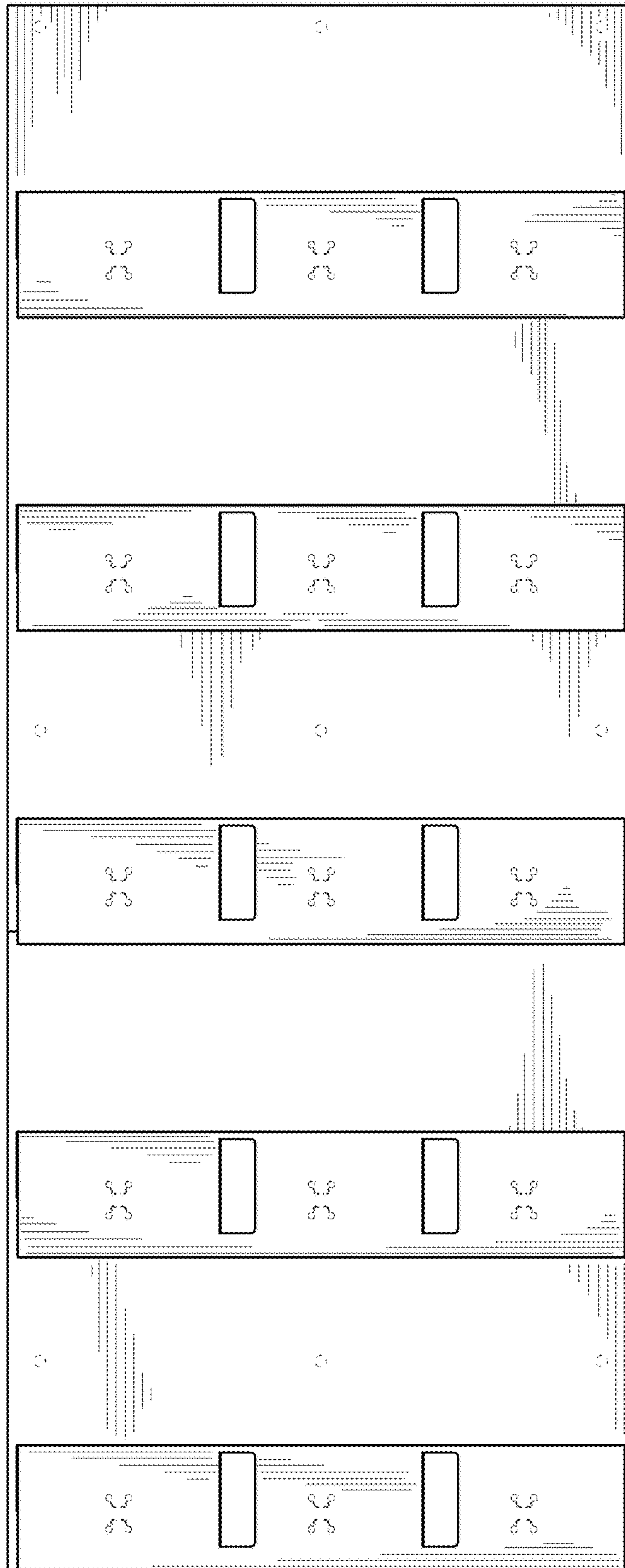


Fig. 10

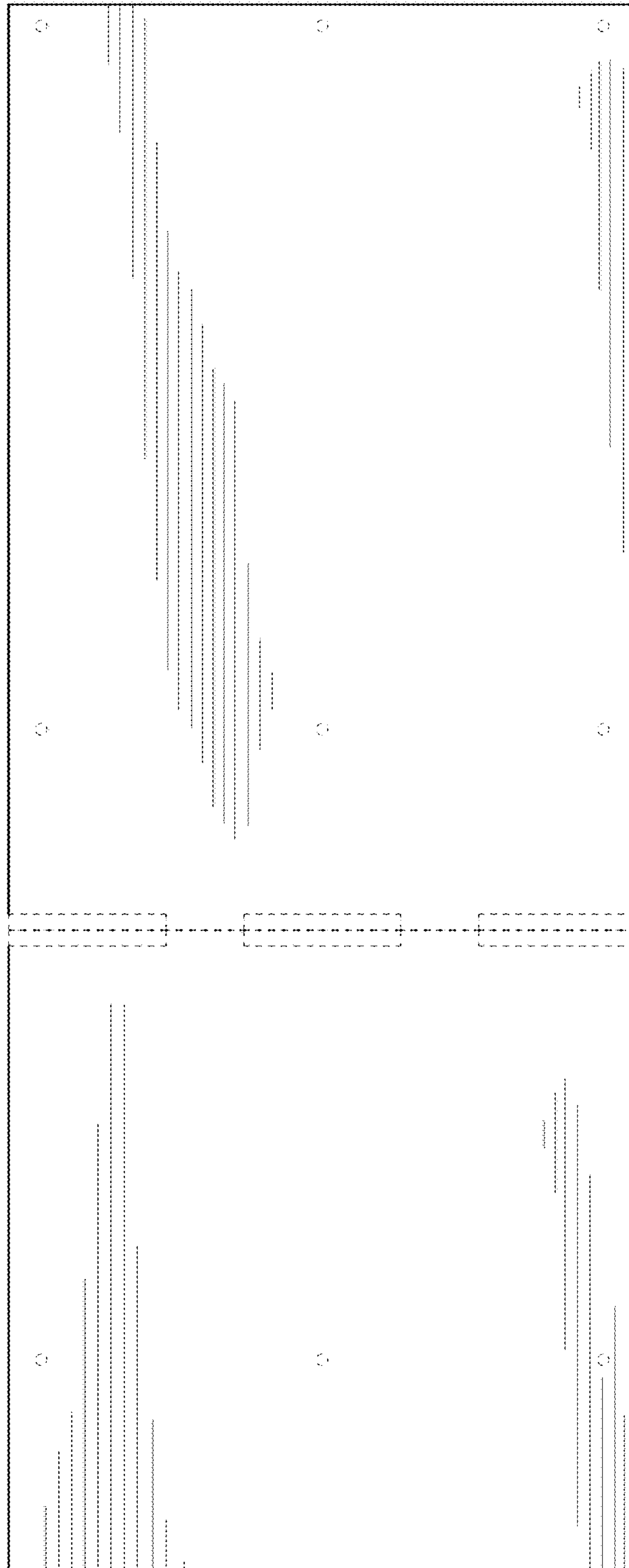


Fig. 11



Fig. 12



Fig. 13

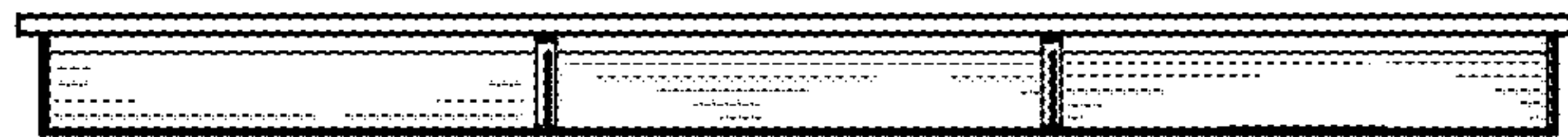


Fig. 14



Fig. 15