



US00D863842S

(12) **United States Design Patent**
Vandenham et al.

(10) **Patent No.:** **US D863,842 S**
(45) **Date of Patent:** **** Oct. 22, 2019**

(54) **MODULAR CABINET SYSTEM**

(71) Applicant: **NewAge Products, Inc.**, Vaughan (CA)

(72) Inventors: **Robert Vandenham**, North York (CA);
Parag Shah, Toronto (CA); **Frank Spano**, Toronto (CA)

(73) Assignee: **NEWAGE PRODUCTS, INC.**,
Vaughan, Ontario (CA)

(**) Term: **15 Years**

(21) Appl. No.: **29/623,674**

(22) Filed: **Oct. 26, 2017**

Related U.S. Application Data

(62) Division of application No. 29/551,920, filed on Jan. 19, 2016, now Pat. No. Des. 807,085.

(51) **LOC (12) Cl.** **06-04**

(52) **U.S. Cl.**

USPC **D6/671.1**

(58) **Field of Classification Search**

USPC D3/279, 283–284, 286, 297, 318–319,
D3/905; D6/336, 662, 663, 664.1, 671,
D6/671.1, 668, 668.1, 668.2, 669, 671.2,
D6/671.3, 671.4, 702, 705, 705.5;
D34/19, 20, 21

CPC A47B 43/00; A47B 47/0091; A47B 49/00;
A47B 49/002; A47B 67/00; A47B 67/04;
A47B 77/02; A47B 81/002; A47B 87/02;
A47B 88/04; A47B 88/0411; A47B
88/20;

(Continued)

(56) **References Cited**

U.S. PATENT DOCUMENTS

3,023,068 A 2/1962 Haag
3,247,312 A 4/1966 Alessi

(Continued)

FOREIGN PATENT DOCUMENTS

CN 200977653 Y 11/2007
CN 102848369 A 1/2013

(Continued)

OTHER PUBLICATIONS

English language abstract of CN 204700864U extracted from espacenet.com database on Jun. 23, 2016, 1 page; and English language translation of CN 204700864U, 17 pages.

(Continued)

Primary Examiner — Ricky Pham

(74) *Attorney, Agent, or Firm* — Howard & Howard
Attorneys PLLC

(57) **CLAIM**

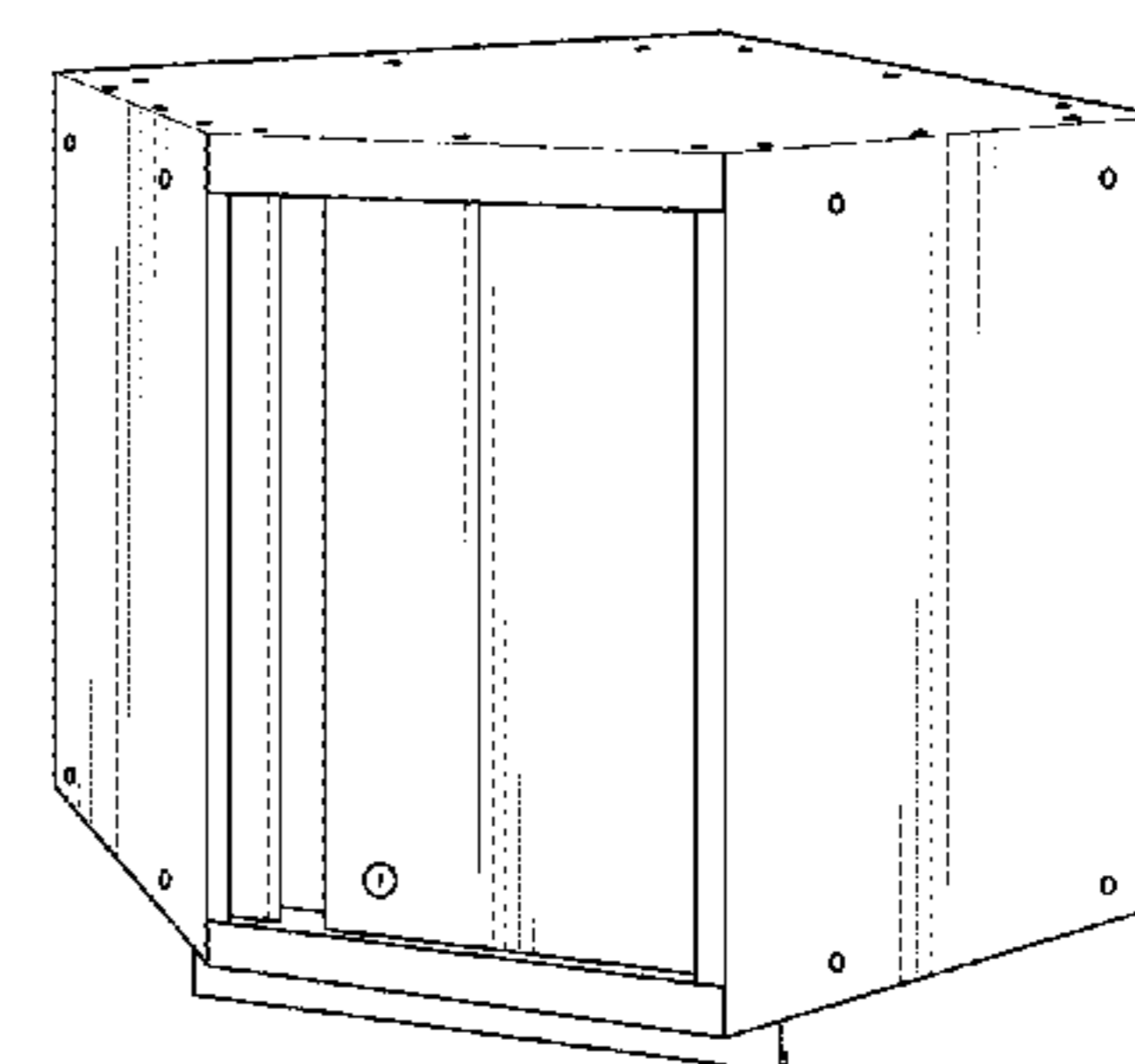
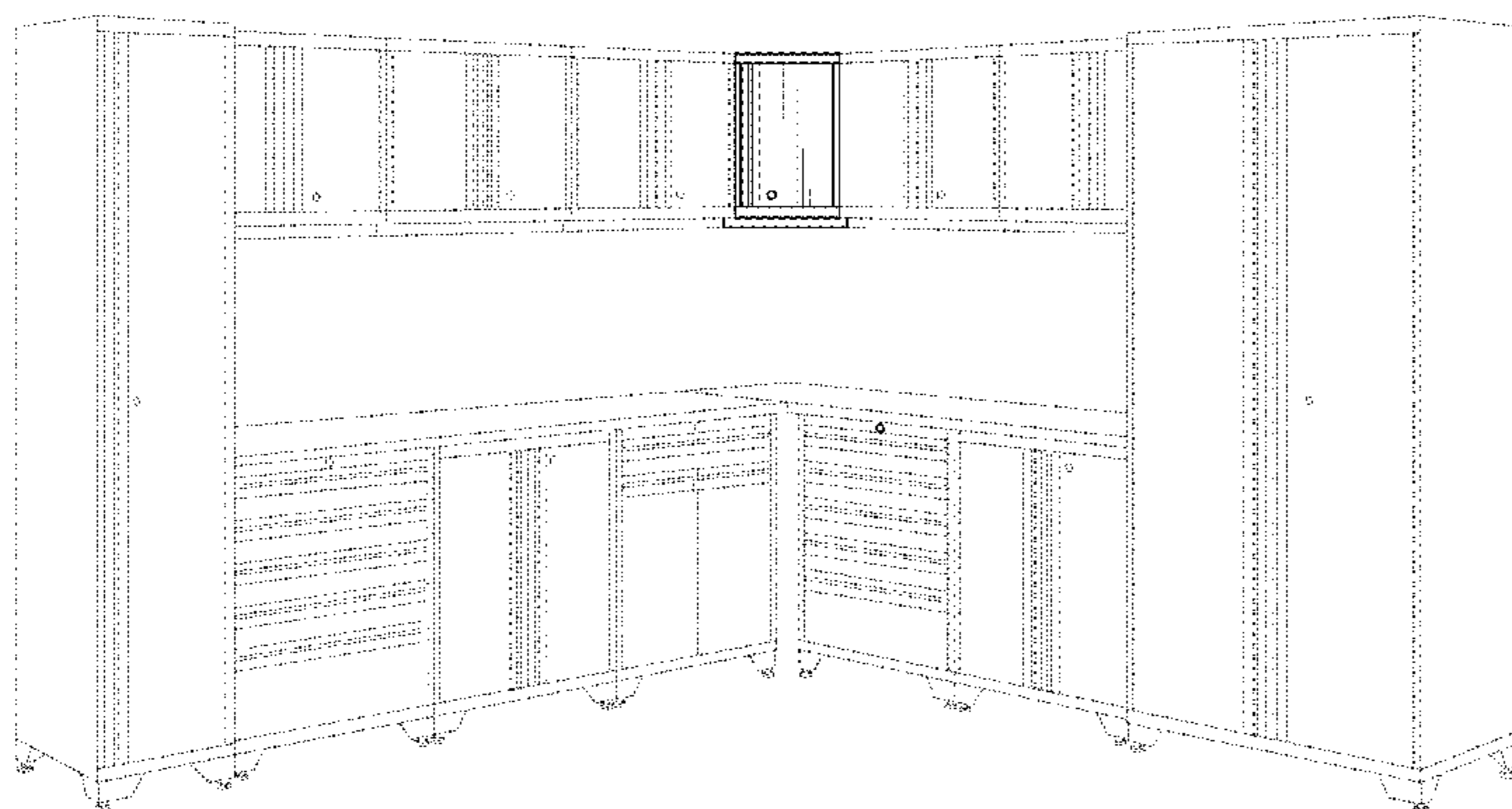
The ornamental design for a modular cabinet system, as shown and described.

DESCRIPTION

FIG. 1 is a perspective view of a modular cabinet system; FIG. 2 is a perspective view of a corner cabinet of the modular cabinet system of FIG. 1; FIG. 3 is a front elevational view of the corner cabinet of FIG. 2; FIG. 4 is a rear elevational view of the corner cabinet of FIG. 2; FIG. 5 is a left side elevational view of the corner cabinet of FIG. 2; FIG. 6 is a right side elevational view of the corner cabinet of FIG. 2; FIG. 7 is a top plan view of the corner cabinet of FIG. 2; and, FIG. 8 is a bottom plan view of the corner cabinet of FIG. 2.

The broken lines shown in the drawings are for illustrative purposes only and form no part of the claimed design.

1 Claim, 3 Drawing Sheets



(58) **Field of Classification Search**
 CPC A47B 2210/00; A47B 2210/004; A47B
 2210/0078; A47B 2210/0008; A47F 3/00;
 B62B 3/00; B25H 3/00; B25H 3/003;
 B25H 3/006; B25H 3/02; B25H 3/021
 See application file for complete search history.

(56) **References Cited**
 U.S. PATENT DOCUMENTS

| | | | | |
|-----------|------|---------|------------------|-------------------------------|
| 3,356,434 | A | 12/1967 | Theodores | |
| D224,492 | S | 8/1972 | Inhelder | |
| D102,998 | S | 2/1973 | Tashjian | |
| 3,892,452 | A * | 7/1975 | Williams | A47B 47/0091 312/107 |
| 3,926,486 | A * | 12/1975 | Sasnett | A47B 77/02 312/198 |
| D284,243 | S | 6/1986 | Barber | |
| 4,728,161 | A * | 3/1988 | Murphy | A47B 81/002 312/238 |
| D356,703 | S | 3/1995 | Dickinson | |
| D379,004 | S | 4/1997 | Keijser et al. | |
| D384,846 | S | 10/1997 | Zaidman et al. | |
| D387,035 | S | 12/1997 | Hartel et al. | |
| D390,835 | S | 2/1998 | Mayfield, III | |
| D407,385 | S | 3/1999 | Belanger et al. | |
| 5,926,376 | A | 7/1999 | Cho | |
| D423,817 | S | 5/2000 | Holcomb et al. | |
| D427,454 | S | 7/2000 | Munch et al. | |
| D431,733 | S | 10/2000 | Zimmerman | |
| D459,614 | S | 7/2002 | Grosfillex | |
| 6,640,572 | B2 * | 11/2003 | Doran | A47B 77/02 62/263 |
| D499,276 | S | 12/2004 | Grosfillex | |
| D518,310 | S | 4/2006 | Mehmen et al. | |
| D518,984 | S | 4/2006 | Schmidt et al. | |
| D520,264 | S | 5/2006 | Mehmen et al. | |
| D520,784 | S | 5/2006 | Schmidt et al. | |
| 7,048,347 | B1 | 5/2006 | Liu | |
| D543,741 | S | 6/2007 | Gaska et al. | |
| D549,501 | S | 8/2007 | Gaska et al. | |
| D550,004 | S | 9/2007 | Gaska et al. | |
| D576,421 | S | 9/2008 | Grabowski et al. | |
| D576,940 | S | 9/2008 | Maynard | |
| D577,523 | S | 9/2008 | Mehmen | |
| D580,195 | S | 11/2008 | Daino et al. | |
| D609,936 | S | 2/2010 | Haimoff | |
| D613,973 | S | 4/2010 | Holcomb | |
| D643,165 | S | 8/2011 | Song et al. | |
| D645,427 | S | 9/2011 | Delakowitz | |
| D651,829 | S * | 1/2012 | Ma | D6/702 |
| D658,217 | S | 4/2012 | Wenning | |
| D663,134 | S | 7/2012 | Wu | |
| D663,495 | S | 7/2012 | Song et al. | |
| D666,034 | S | 8/2012 | Gaska et al. | |
| D668,078 | S | 10/2012 | Daino et al. | |
| D670,510 | S | 11/2012 | Daino et al. | |
| D673,387 | S | 1/2013 | Pazhoor | |
| D686,437 | S | 7/2013 | Johnson et al. | |
| D711,169 | S | 8/2014 | Anderson et al. | |
| D711,673 | S | 8/2014 | Lim | |
| D734,069 | S | 7/2015 | Zhao | |
| D734,070 | S | 7/2015 | Zhao | |
| D734,071 | S | 7/2015 | Zhao | |
| D734,072 | S | 7/2015 | Zhao | |
| D734,073 | S | 7/2015 | Zhao | |

| | | | | |
|--------------|------|---------|------------------|------------------------------|
| D743,358 | S | 11/2015 | Cagliani et al. | |
| D760,518 | S | 7/2016 | Shah et al. | |
| D765,445 | S | 9/2016 | Persson | |
| 9,630,036 | B2 | 4/2017 | Strum et al. | |
| D803,602 | S | 11/2017 | Hightower et al. | |
| D807,084 | S | 1/2018 | Waldner | |
| D807,085 | S * | 1/2018 | Vandenhame | A47B 77/02 D6/671.1 |
| D821,118 | S * | 6/2018 | Chiao | A47B 43/00 D6/671 |
| D830,740 | S | 10/2018 | Shah et al. | |
| D837,539 | S | 1/2019 | Nicoll et al. | |
| D837,542 | S * | 1/2019 | Nicoll | A47B 81/002 D6/336 |
| 2002/0153814 | A1 | 10/2002 | Robideau | |
| 2003/0127956 | A1 | 7/2003 | Stoever | |
| 2013/0063003 | A1 * | 3/2013 | Liu | A47B 43/00 312/205 |
| 2016/0128471 | A1 | 5/2016 | Chang | |

FOREIGN PATENT DOCUMENTS

| | | | | |
|----|-----------|---|---------|--|
| CN | 202784064 | U | 3/2013 | |
| CN | 302846152 | S | 6/2014 | |
| CN | 302846153 | S | 6/2014 | |
| CN | 302846154 | S | 6/2014 | |
| CN | 302869741 | S | 7/2014 | |
| CN | 302892641 | S | 7/2014 | |
| CN | 302892642 | S | 7/2014 | |
| CN | 302892643 | S | 7/2014 | |
| CN | 302892644 | S | 7/2014 | |
| CN | 302892645 | S | 7/2014 | |
| CN | 302892646 | S | 7/2014 | |
| CN | 302892647 | S | 7/2014 | |
| CN | 302892648 | S | 7/2014 | |
| CN | 302921462 | S | 8/2014 | |
| CN | 302921463 | S | 8/2014 | |
| CN | 104493796 | A | 4/2015 | |
| CN | 104493798 | A | 4/2015 | |
| CN | 104552196 | A | 4/2015 | |
| CN | 104626078 | A | 5/2015 | |
| CN | 104626079 | A | 5/2015 | |
| CN | 204354098 | U | 5/2015 | |
| CN | 204354099 | U | 5/2015 | |
| CN | 204354101 | U | 5/2015 | |
| CN | 204354102 | U | 5/2015 | |
| CN | 204354103 | U | 5/2015 | |
| CN | 204698125 | U | 10/2015 | |
| CN | 204700856 | U | 10/2015 | |
| CN | 204700864 | U | 10/2015 | |

OTHER PUBLICATIONS

NewAge Products Inc., "Pro Series Garage Storage Cabinets" downloaded from <http://newageproducts.com/ca/cabinets-landing/pro-bold-series-landing/pro-series-product/> on May 26, 2016, 8 pages.

NewAge Products Inc., "Bold Series Garage Cabinets for Storage" downloaded from <http://newageproducts.com/uk/bold-series-product/> on May 26, 2016, 13 pages.

Design U.S. Appl. No. 29/623,672, filed Oct. 26, 2017, 57 pages.

Design U.S. Appl. No. 29/623,673, filed Oct. 26, 2017, 57 pages.

Design U.S. Appl. No. 29/623,670, filed Oct. 26, 2017, 57 pages.

Design U.S. Appl. No. 29,623,677, filed Oct. 26, 2017, 57 pages.

* cited by examiner

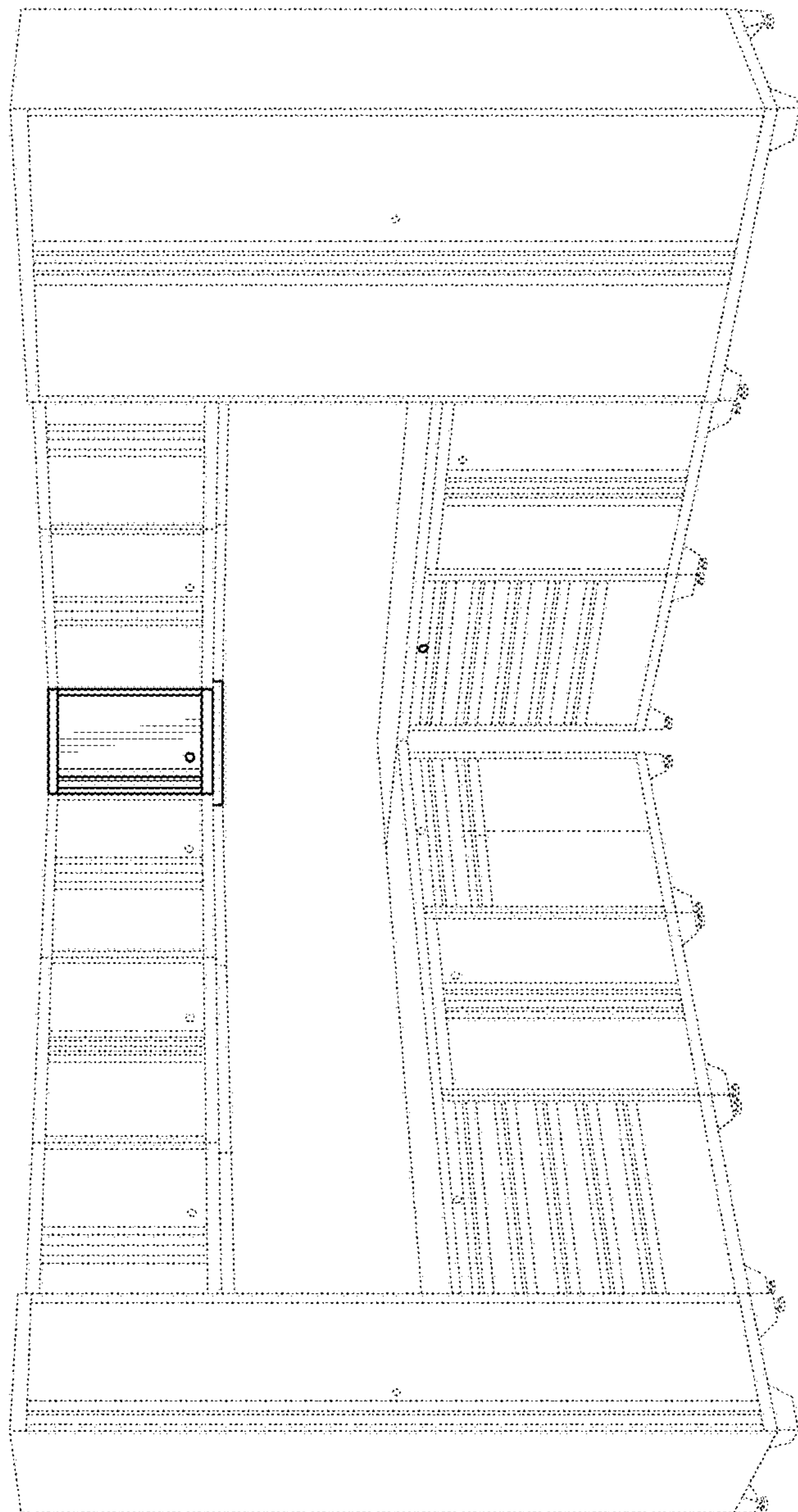


FIG. 1

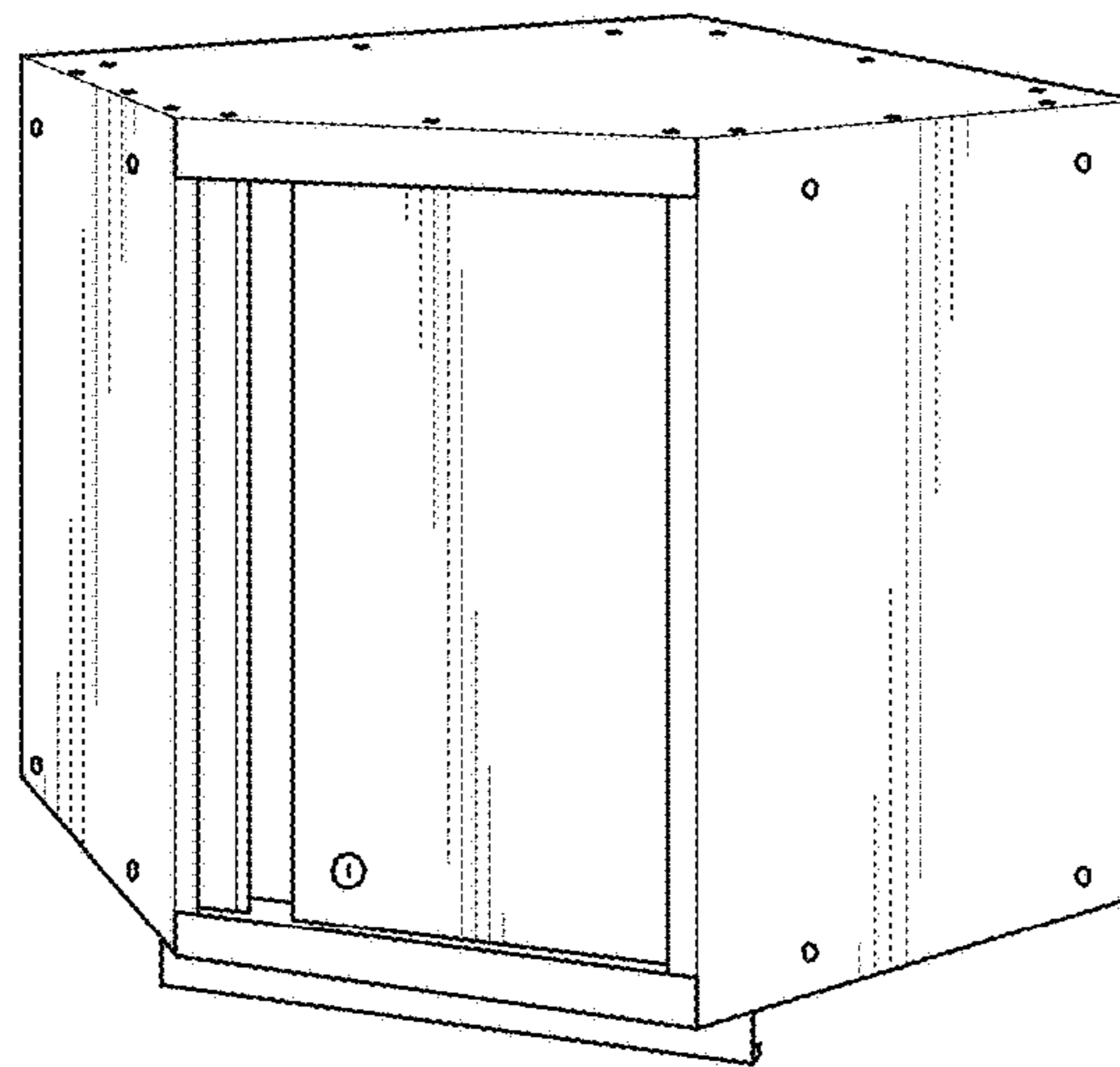


FIG. 2

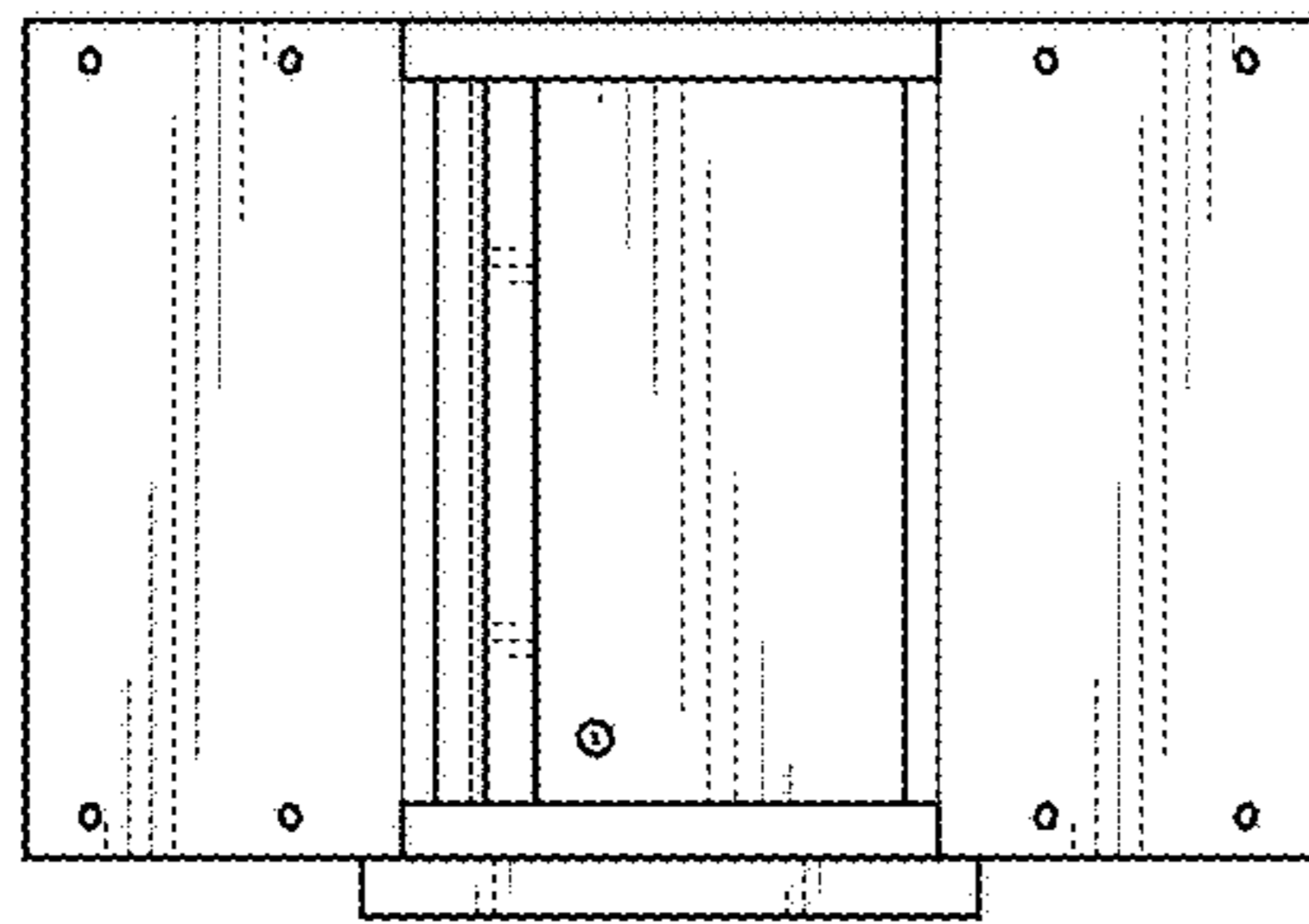


FIG. 3

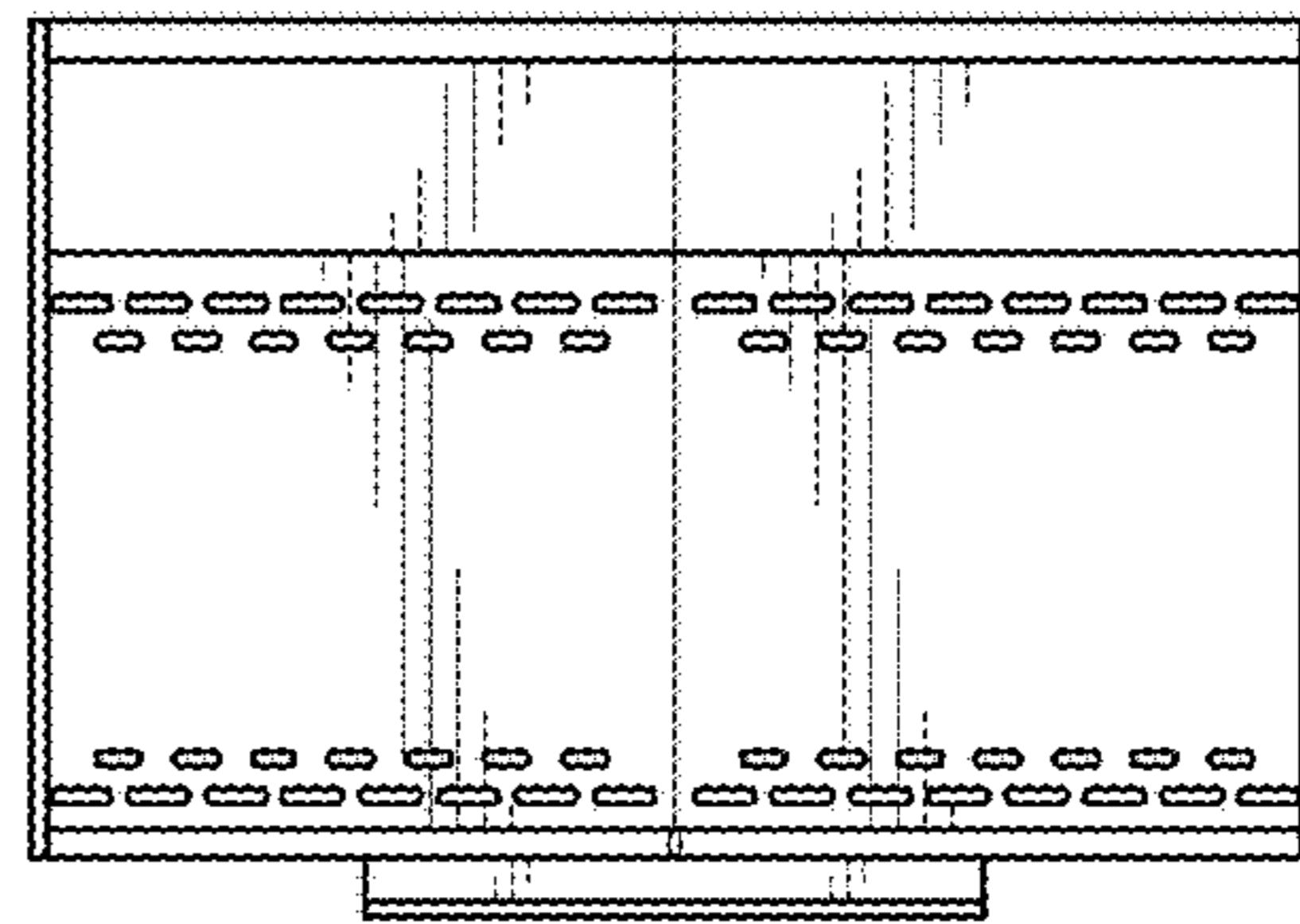


FIG. 4

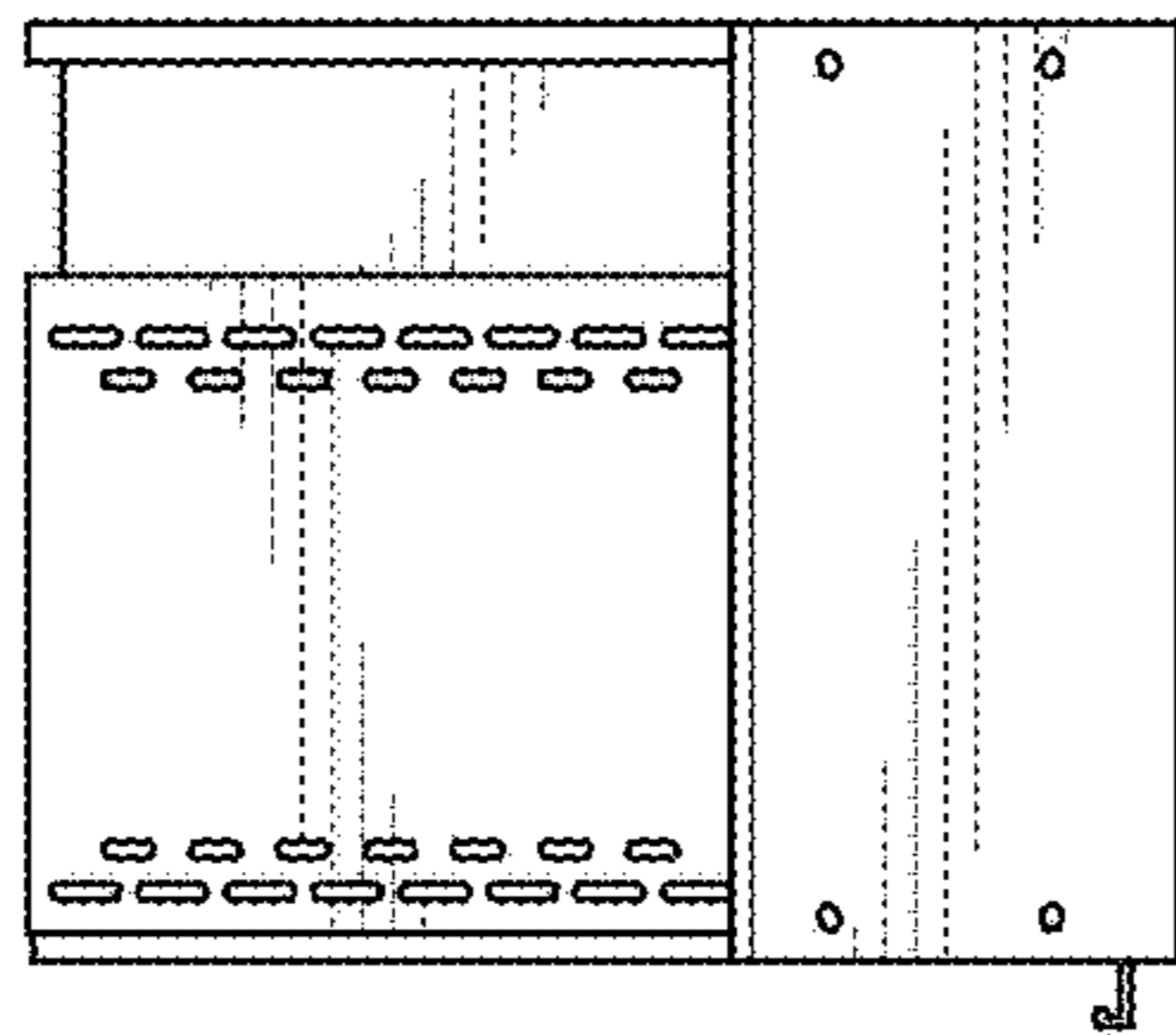


FIG. 5

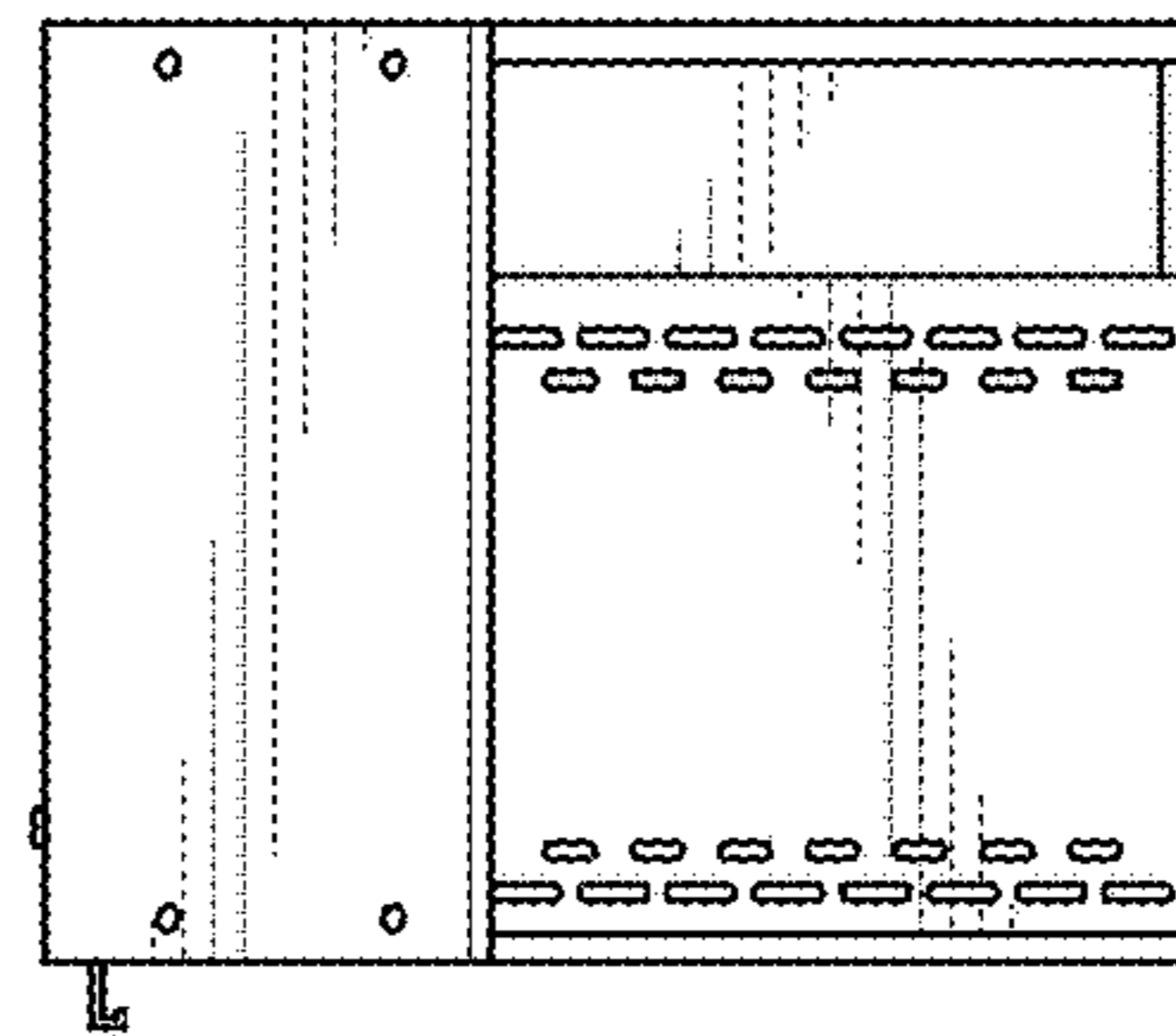


FIG. 6

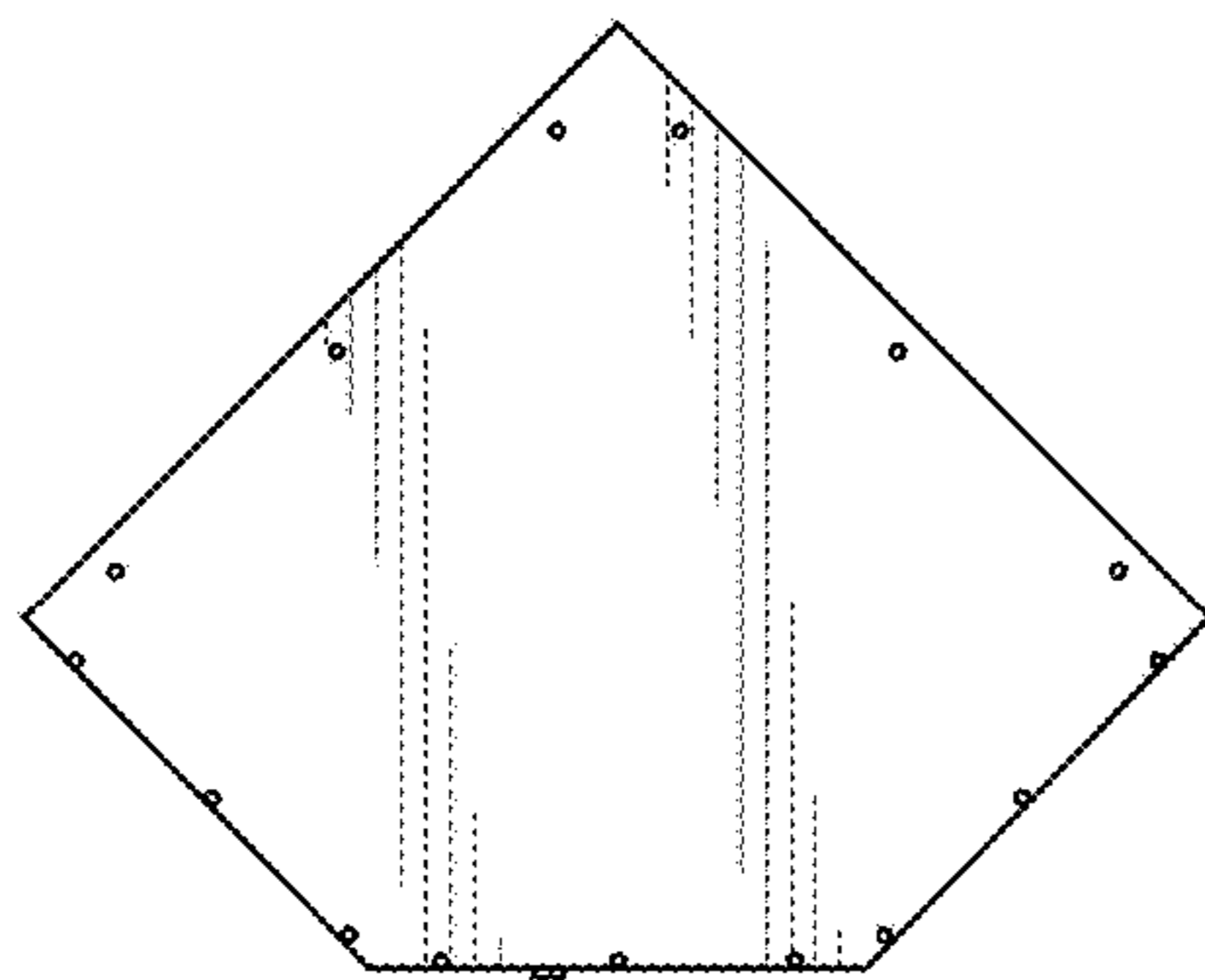


FIG. 7

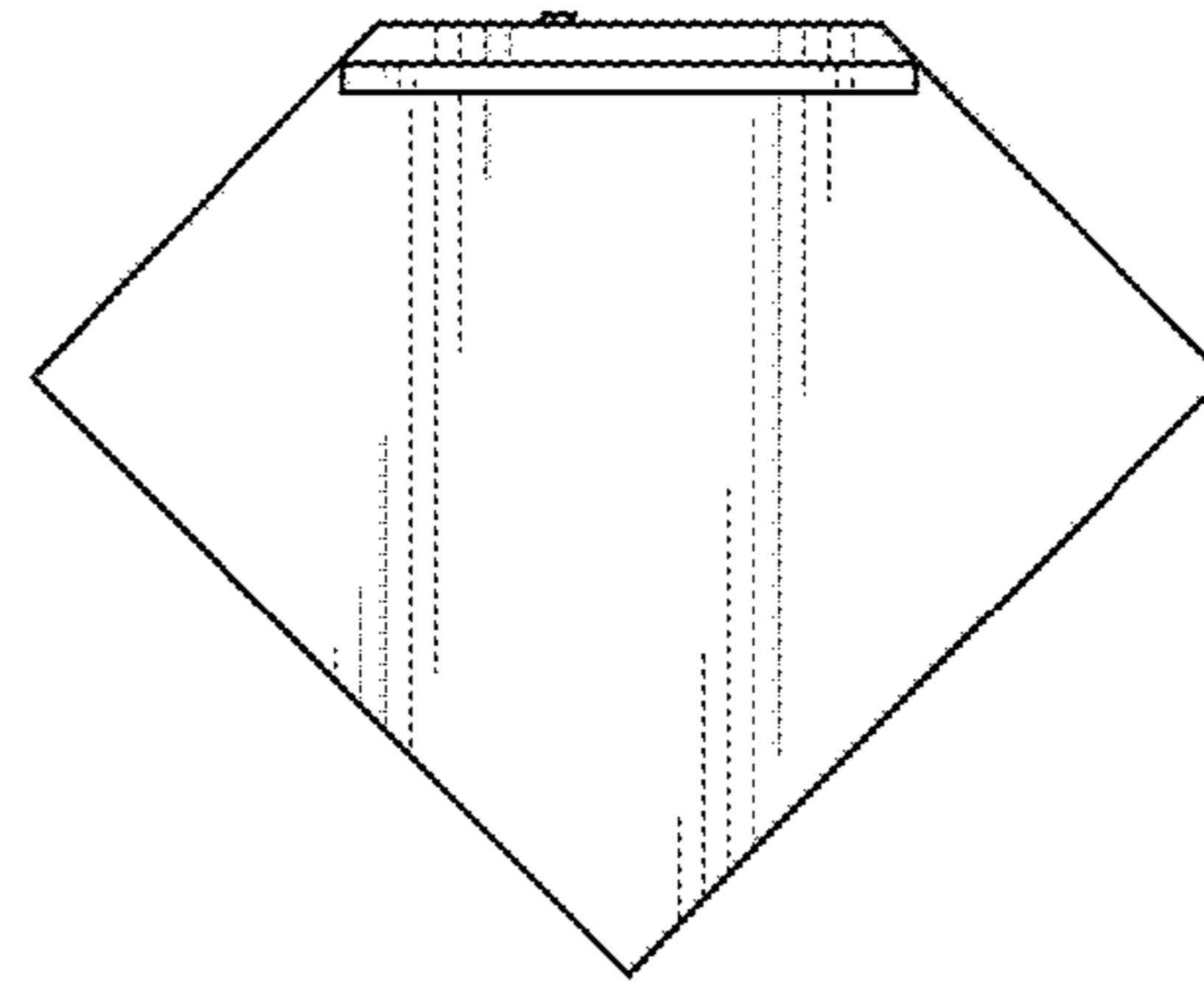


FIG. 8