

US00D863841S

(12) **United States Design Patent**
Dumouchel et al.

(10) **Patent No.:** **US D863,841 S**

(45) **Date of Patent:** **** Oct. 22, 2019**

(54) **DRESSER**

(71) Applicant: **Williams-Sonoma, Inc.**, San Francisco, CA (US)

(72) Inventors: **Jean-Paul Dumouchel**, San Francisco, CA (US); **Luc Pitre**, Redwood City, CA (US); **Kasey Hovencamp**, San Francisco, CA (US); **Allison Spanpanato**, San Francisco, CA (US)

(73) Assignee: **Williams-Sonoma, Inc.**, San Francisco, CA (US)

(**) Term: **15 Years**

(21) Appl. No.: **29/657,147**

(22) Filed: **Jul. 19, 2018**

(51) **LOC (12) Cl.** **06-04**

(52) **U.S. Cl.**
USPC **D6/671**

(58) **Field of Classification Search**
USPC D6/657, 662, 663, 669, 671, 671.1, 672, D6/675, 675.1

CPC A47B 46/00; A47B 47/00; A47B 47/022; A47B 47/02; A47B 47/04; A47B 55/00; A47B 67/00; A47B 67/02; A47B 67/04
See application file for complete search history.

(56) **References Cited**

U.S. PATENT DOCUMENTS

D116,245 S * 8/1939 Shurcliff D6/671.1
D182,838 S * 5/1958 Lubberts et al. D6/671.1

D235,717 S * 7/1975 Donner D6/671
D286,959 S * 12/1986 Doezema D6/671
D301,417 S * 6/1989 Wistehuff D6/671.1
D301,528 S * 6/1989 Wistehuff D6/671.1
D455,290 S * 4/2002 O'Hare D6/671.1
D455,291 S * 4/2002 Jeup D6/671.1
D600,474 S * 9/2009 Lowsky D6/671.1
D728,280 S * 5/2015 Weatherly D6/671.1
D813,573 S * 3/2018 Hannoosh D6/671
D816,376 S * 5/2018 Burden D6/671
D818,744 S * 5/2018 Burden D6/663

* cited by examiner

Primary Examiner — R. Johnson

(74) *Attorney, Agent, or Firm* — Cook Alex Ltd.; R. Blake Johnston

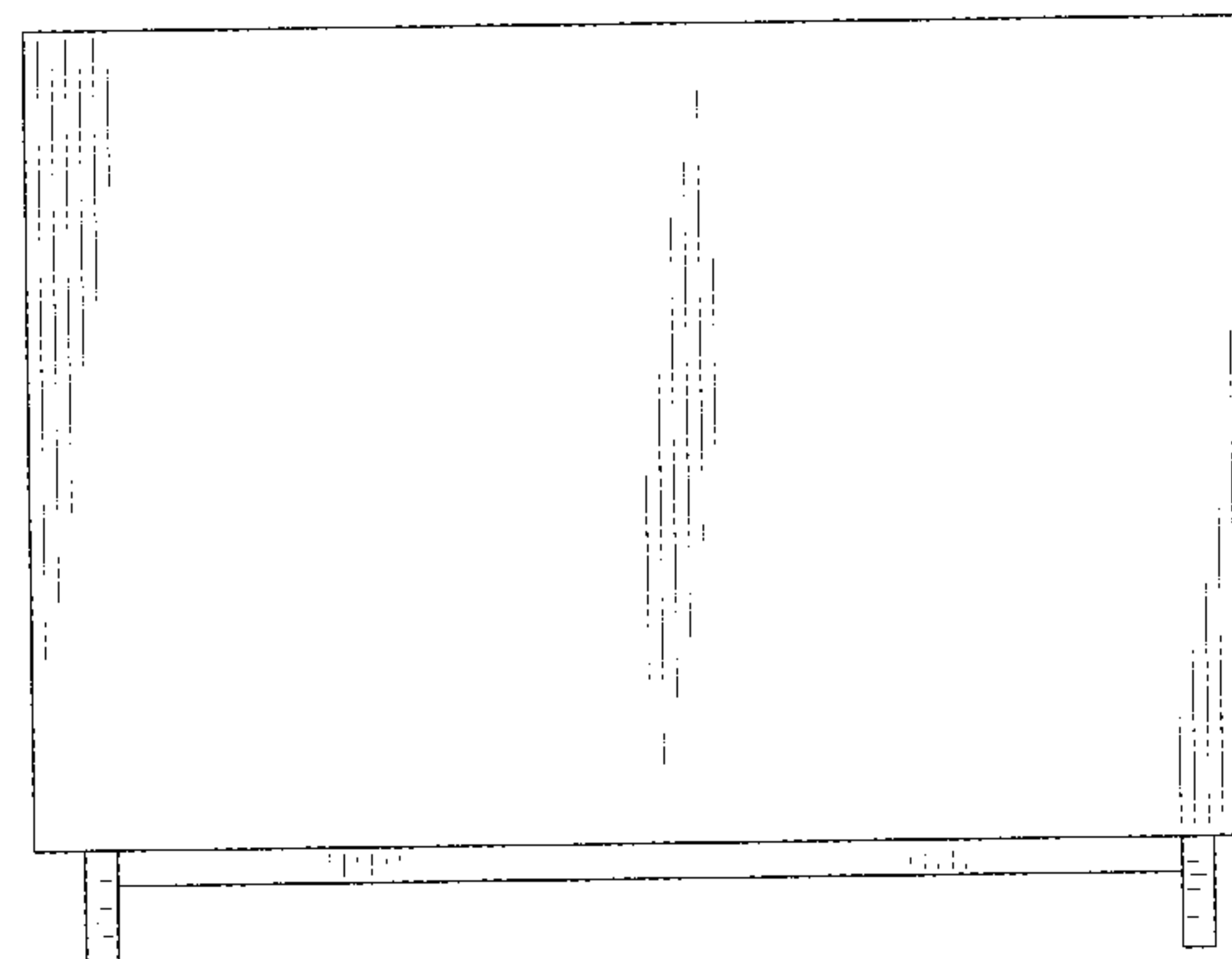
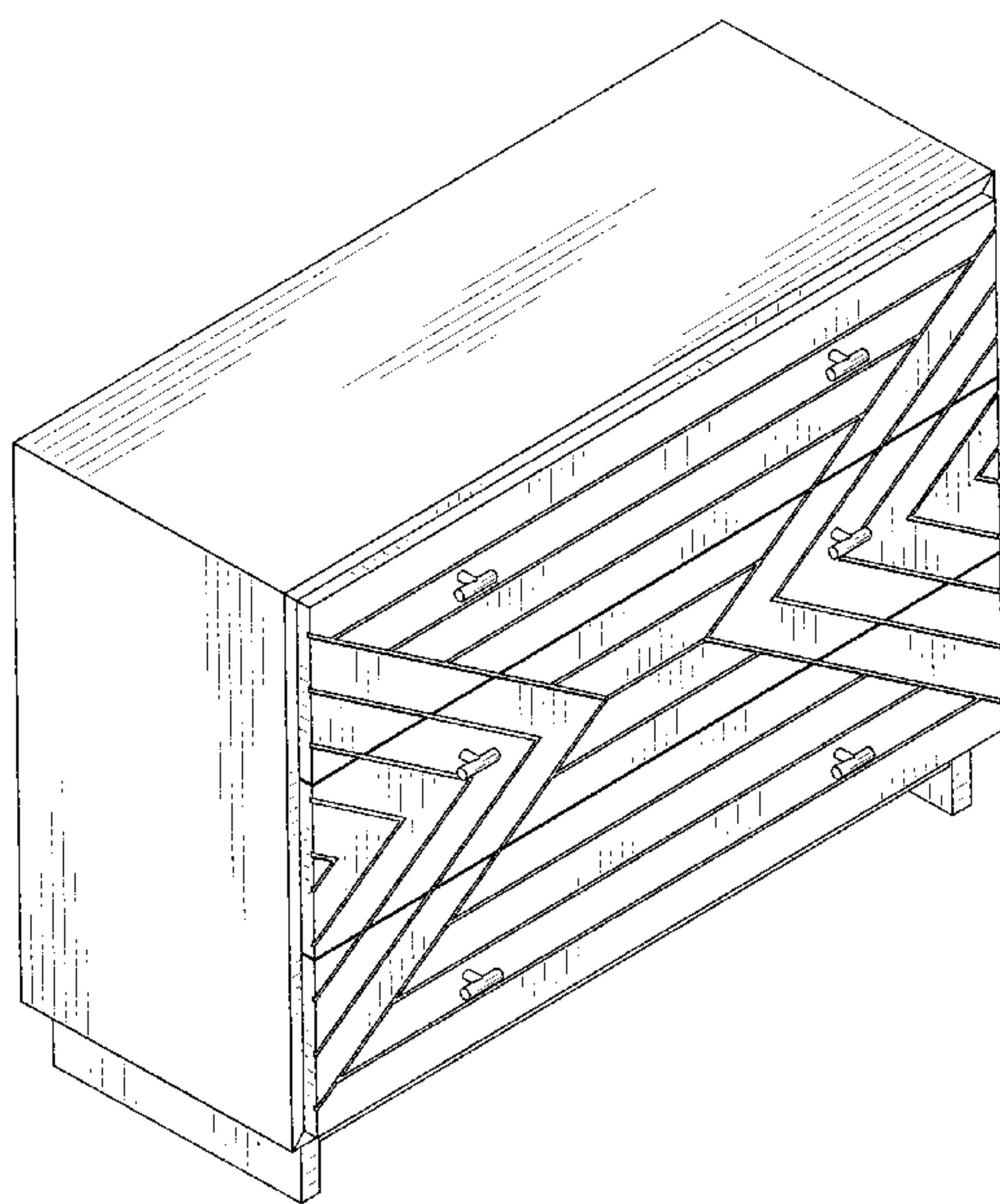
(57) **CLAIM**

The ornamental design for a dresser, as shown and described.

DESCRIPTION

FIG. 1 is a perspective view of the dresser;
FIG. 2 is a front elevational view of the dresser;
FIG. 3 is a rear elevational view of the dresser;
FIG. 4 is a left side elevational view of the dresser;
FIG. 5 is a right side elevational view of the dresser;
FIG. 6 is a top plan view of the dresser; and,
FIG. 7 is a bottom plan view of the dresser.

1 Claim, 5 Drawing Sheets



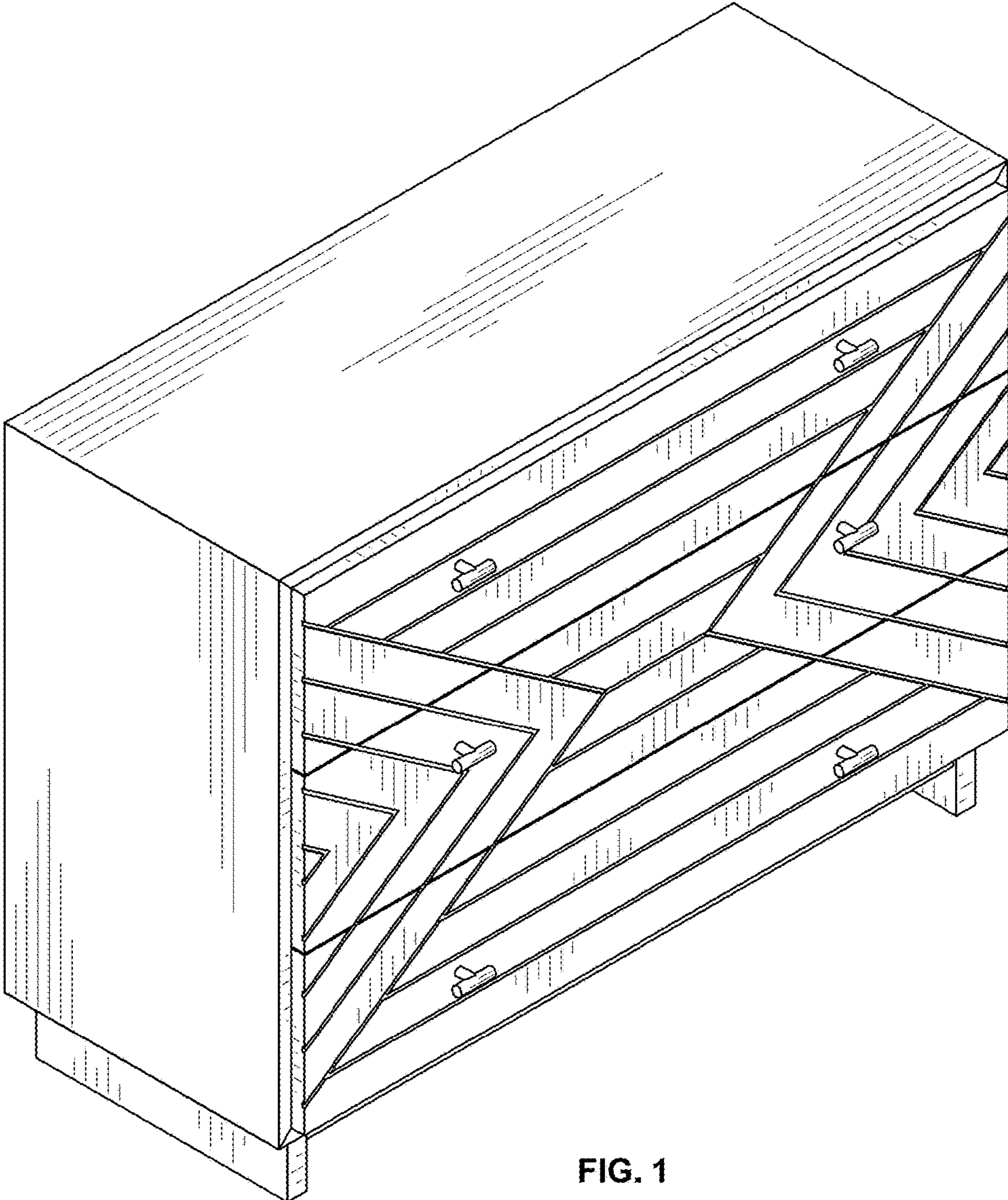


FIG. 1

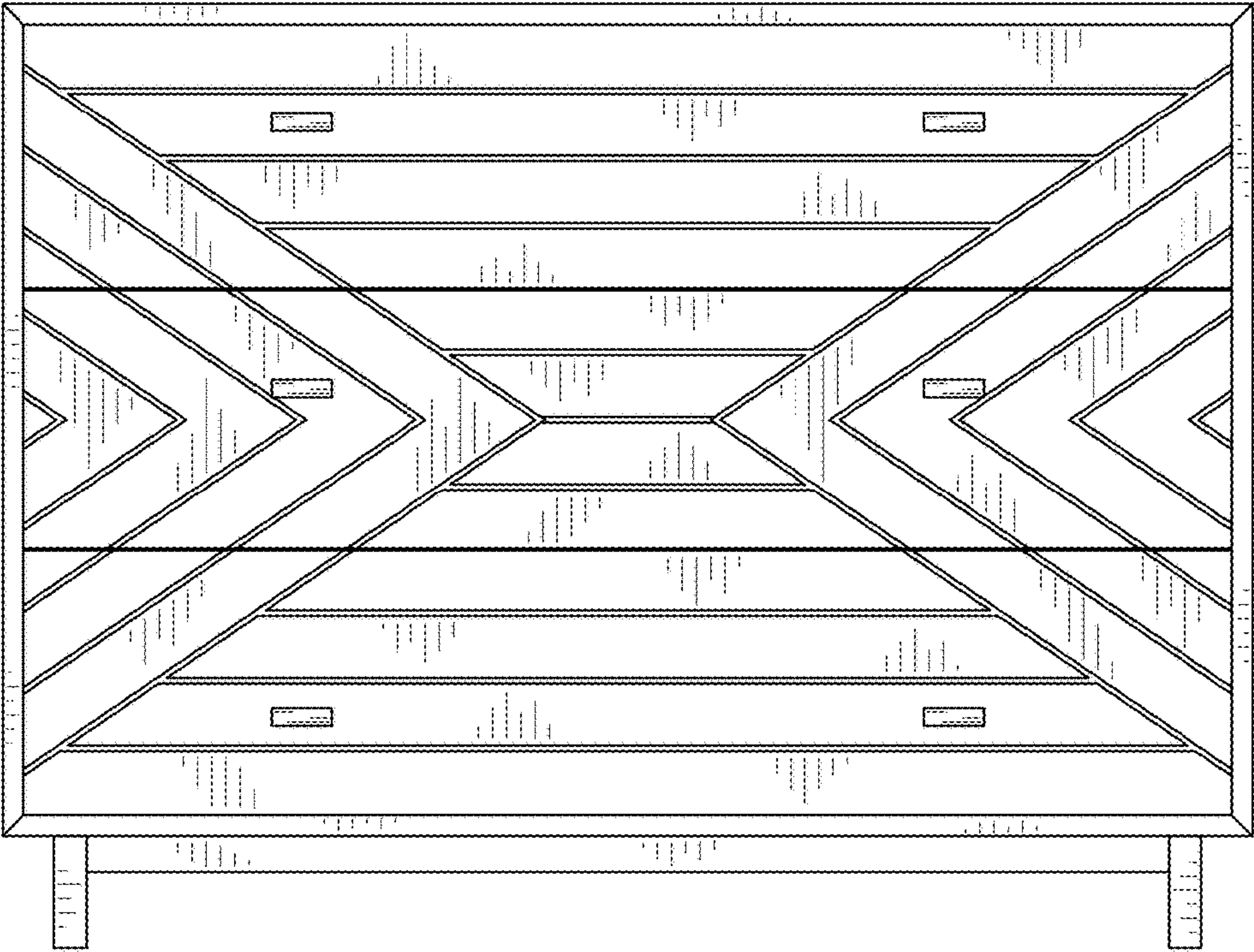


FIG. 2

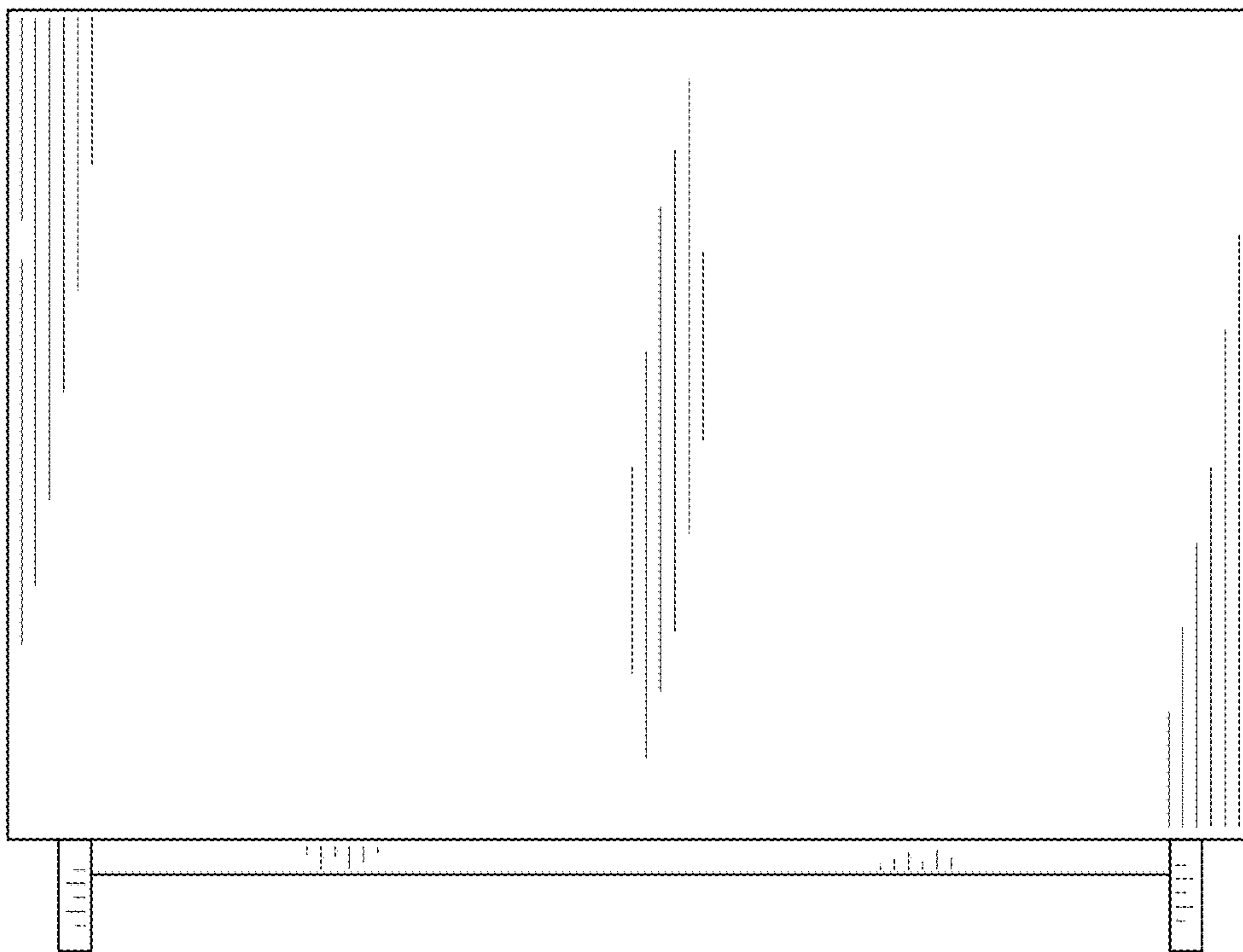


FIG. 3

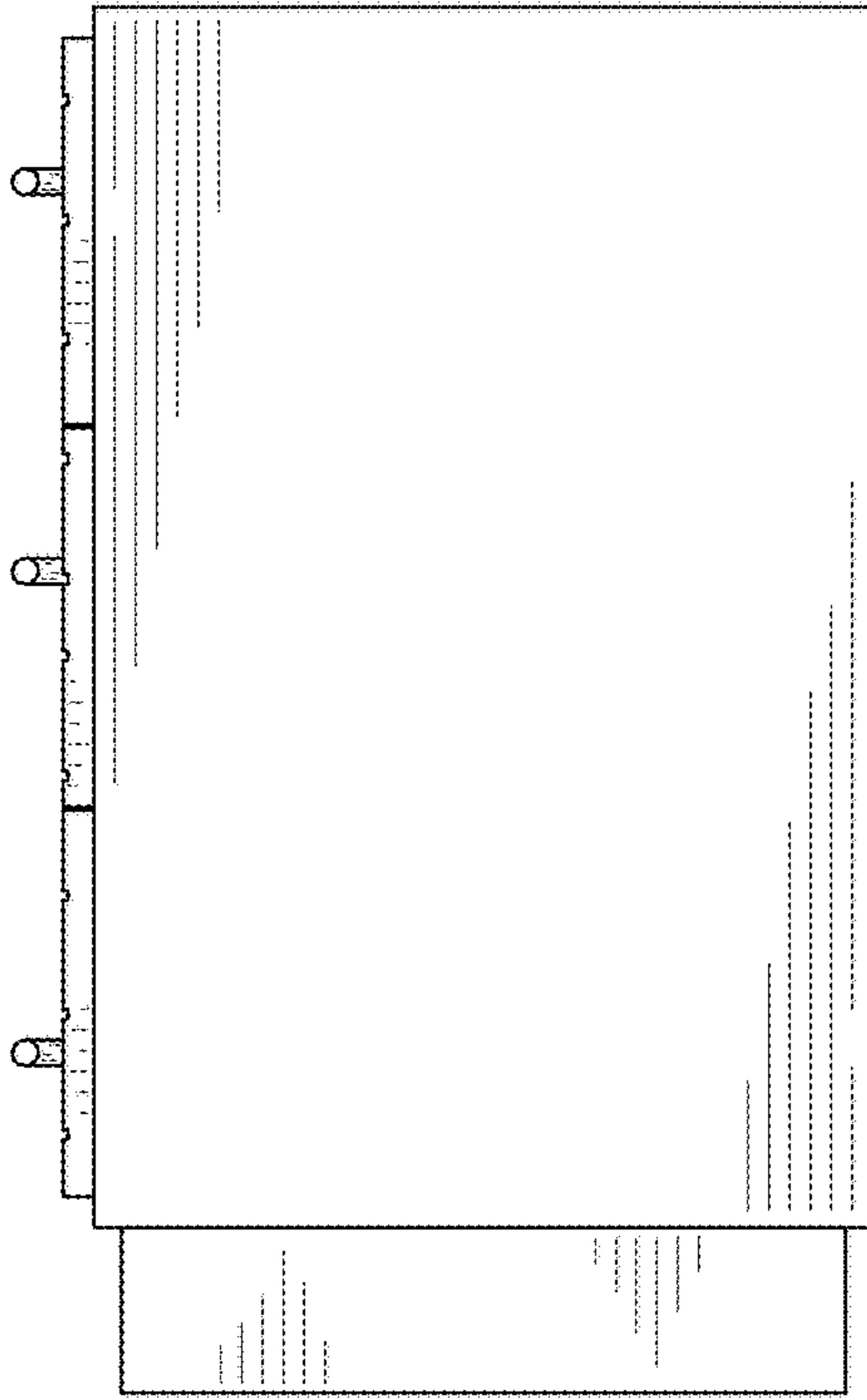


FIG. 4

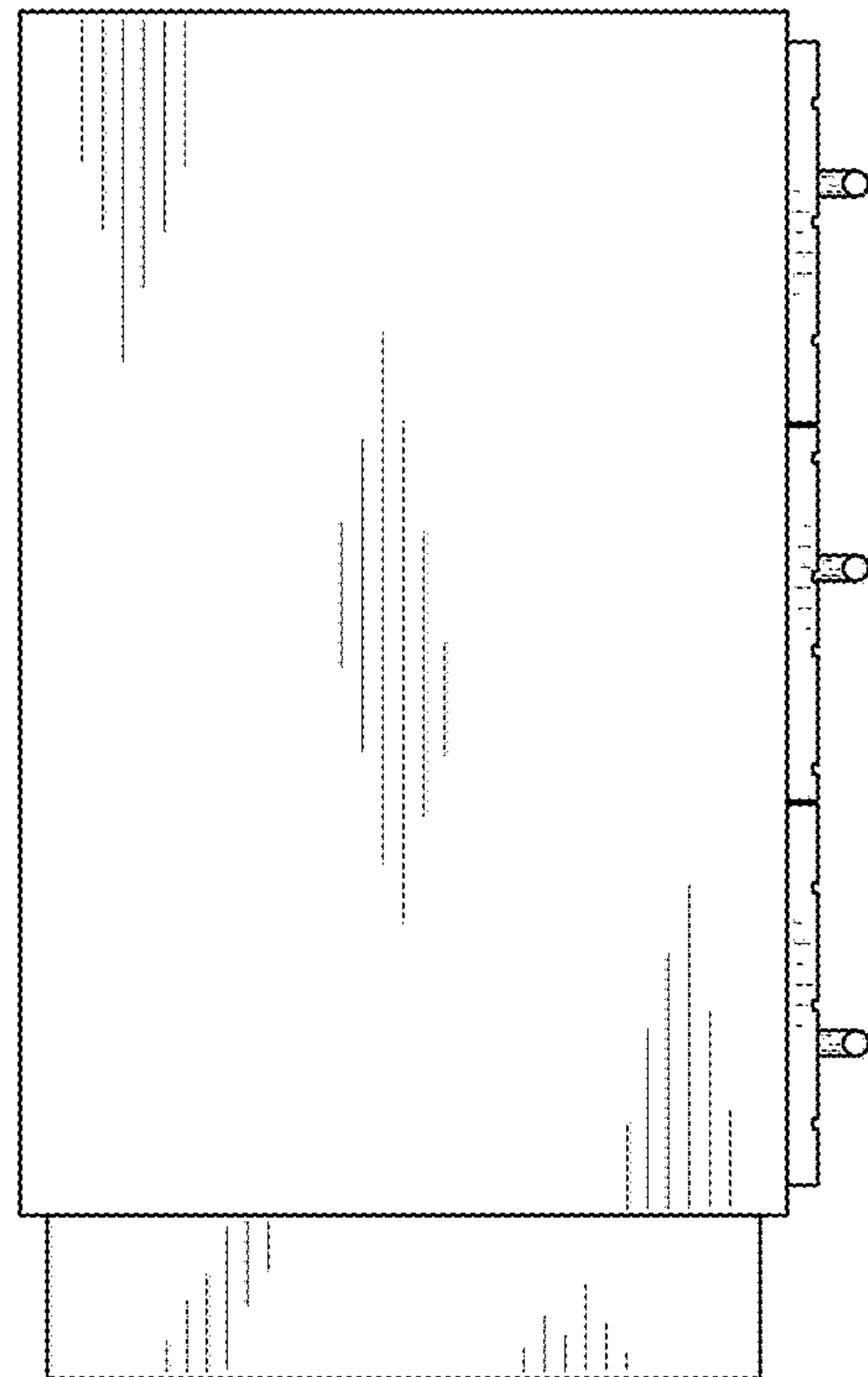


FIG. 5

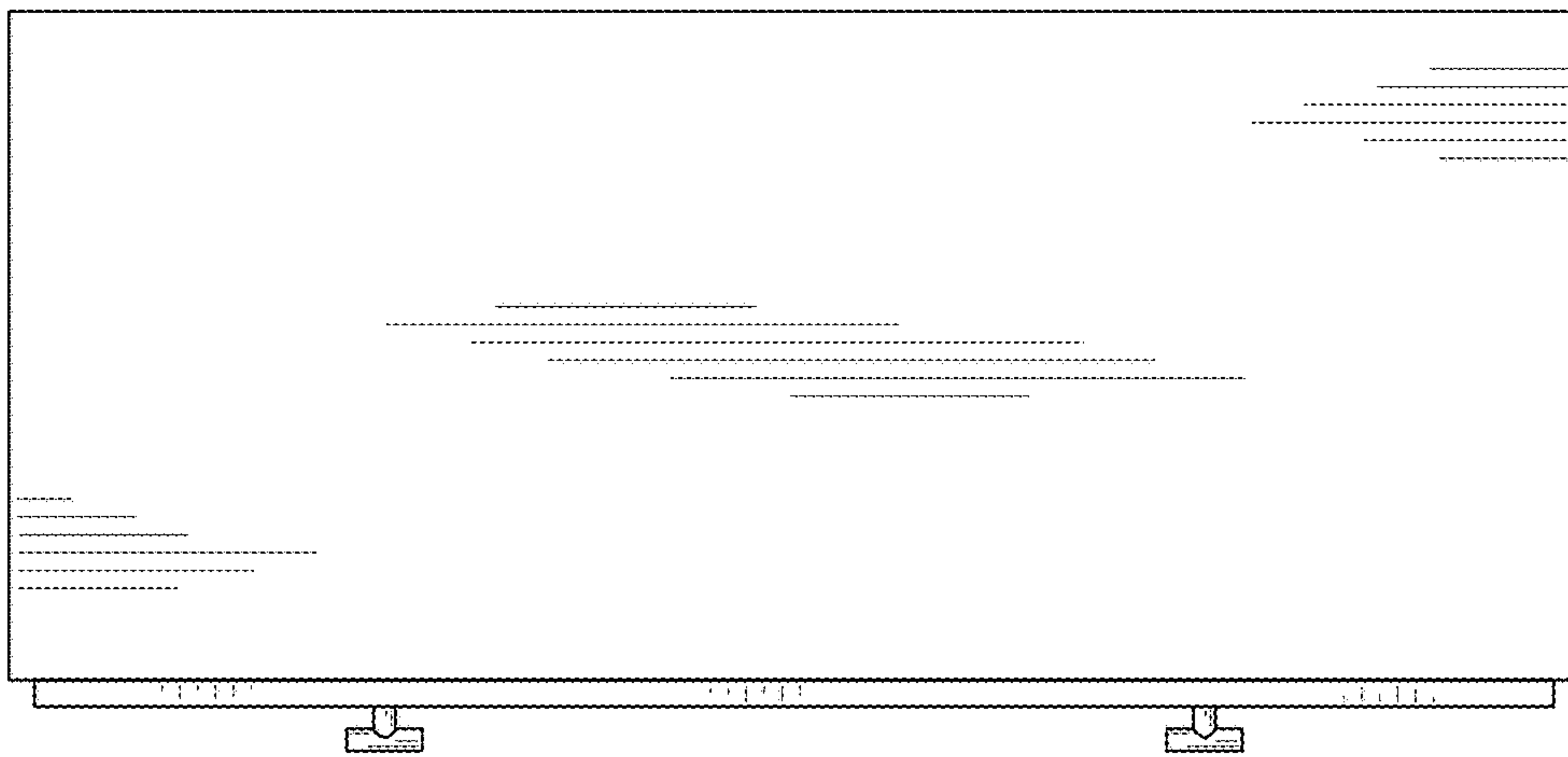


FIG. 6



FIG. 7