



US00D863838S

(12) **United States Design Patent** (10) **Patent No.:** **US D863,838 S**
Song (45) **Date of Patent:** **** Oct. 22, 2019**

(54) **FLOOR MIRROR WITH ORGANIZER**

(71) Applicant: **AMEZIEL INC**, Ontario, CA (US)

(72) Inventor: **Chuan Song**, Zhengzhou (CN)

(**) Term: **15 Years**

(21) Appl. No.: **29/624,404**

(22) Filed: **Oct. 31, 2017**

(51) **LOC (12) Cl.** **06-04**

(52) **U.S. Cl.**

USPC **D6/664.1**

(58) **Field of Classification Search**

USPC D6/663, 559-561, 699, 334-336, 349, D6/351, 352, 358, 360, 364, 365, 366, D6/374, 375, 379, 380, 611, 657, 662.1, D6/672, 674, 675, 675.1, 675.3, 683, D6/683.1, 685, 691, 691.5, 702, 708, D6/708.2, 708.21, 708.25, 716, D6/716.1-716.4, 664.1, 668.2; D3/304, D3/307, 309; D7/333; D23/286, 343; D24/227-230; D25/48.4, 113, 163; D13/184

CPC A47B 81/005; A47B 81/00; A47B 67/02; A47B 77/02; A47B 47/05; A47B 87/005; A47B 96/16; A47B 43/003; A47B 46/00; A47B 67/005; A47B 67/00; A47B 97/00; A47G 1/12; A47G 1/00; A47G 29/12; A47G 1/02; A47G 29/14; B42F 17/00; G09F 1/12; A47F 3/002; A47F 5/08; A47F 5/03; A47F 7/02; A45C 11/16; B60N 2/60; B60N 2/2881; B60N 2/6018; B60N 2/6036; E05C 19/001; E04H 1/1238

See application file for complete search history.

(56) **References Cited**

U.S. PATENT DOCUMENTS

1,980,730 A * 11/1934 Matchette A47B 96/16 211/119.004
D237,234 S * 10/1975 Wertz D6/559

RE31,409 E * 10/1983 Crist A47G 29/12 211/87.01
4,477,130 A * 10/1984 Frantz E05C 19/001 16/388
D383,937 S * 9/1997 Myers D6/559
(Continued)

OTHER PUBLICATIONS

Costway Mirrored Jewelry Cabinet . . . Jul. 26, 2016, rakuten.com, site visited Apr. 1, 2019 <<https://www.rakuten.com/shop/costway/product/HB84526/>> (Year: 2016).*

Primary Examiner — Kevin K Rudzinski
Assistant Examiner — Paul D Bohannon
(74) *Attorney, Agent, or Firm* — Tsz Lung Yeung

(57) **CLAIM**

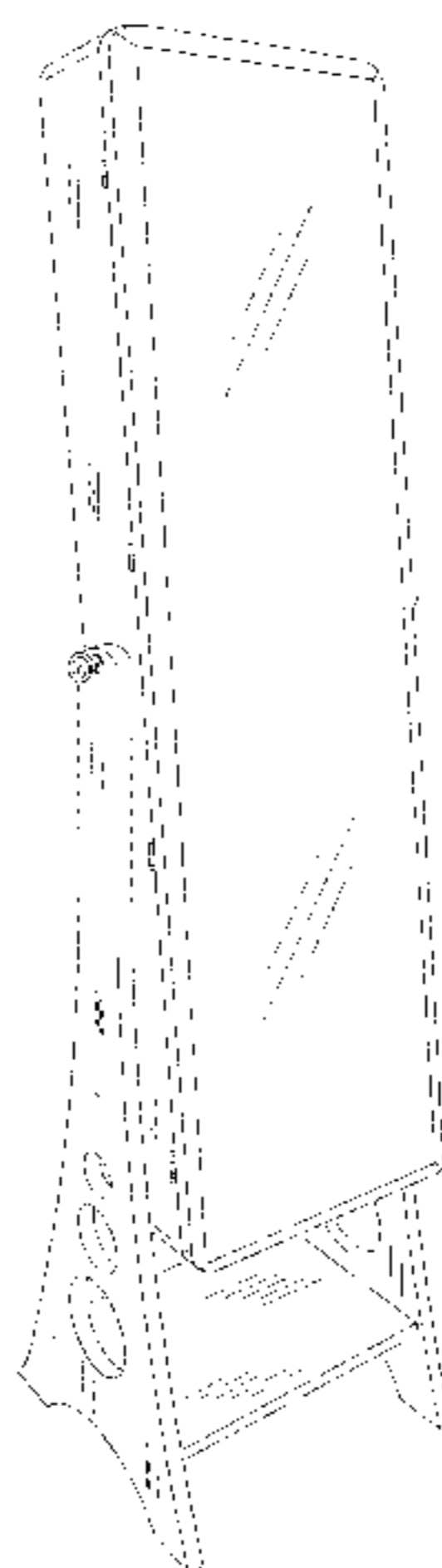
The ornamental design for a floor mirror with organizer, as shown and described.

DESCRIPTION

FIG. 1 is a perspective view of a floor mirror with organizer showing my new design;
FIG. 2 is a front view thereof;
FIG. 3 is a rear view thereof;
FIG. 4 is a right end view thereof;
FIG. 5 is a left end view thereof;
FIG. 6 is a top view thereof;
FIG. 7 is a bottom view thereof;
FIG. 8 is perspective view thereof, showing an open position;
FIG. 9 is a front view thereof;
FIG. 10 a rear view thereof;
FIG. 11 is a right end view thereof;
FIG. 12 is a left end view thereof;
FIG. 13 is a top view thereof; and,
FIG. 14 is a bottom view thereof.

The broken lines showing portions of the floor mirror with organizer form no part of the claimed design.

1 Claim, 12 Drawing Sheets



(56)

References Cited

U.S. PATENT DOCUMENTS

5,681,100 A * 10/1997 Powell A47B 67/005
248/474
D516,834 S * 3/2006 Masseth, Jr. D6/663
D528,840 S * 9/2006 Greiner D6/559
D606,772 S * 12/2009 Meade, III D6/663
7,651,178 B2 * 1/2010 Greiner A47B 67/02
248/140
D667,237 S * 9/2012 Greiner D6/668.2
D684,128 S * 6/2013 Krietzman D13/184
D707,989 S * 7/2014 Bezborodko D6/663
D707,990 S * 7/2014 Bezborodko D6/663
D712,686 S * 9/2014 Day D6/663
D728,977 S * 5/2015 Wittenberg A47G 1/00
D6/663
D743,358 S * 11/2015 Cagliani D13/184
2005/0093405 A1 * 5/2005 Greiner A47B 67/02
312/321.5
2012/0223626 A1 * 9/2012 Thomas E06B 7/34
312/242

* cited by examiner

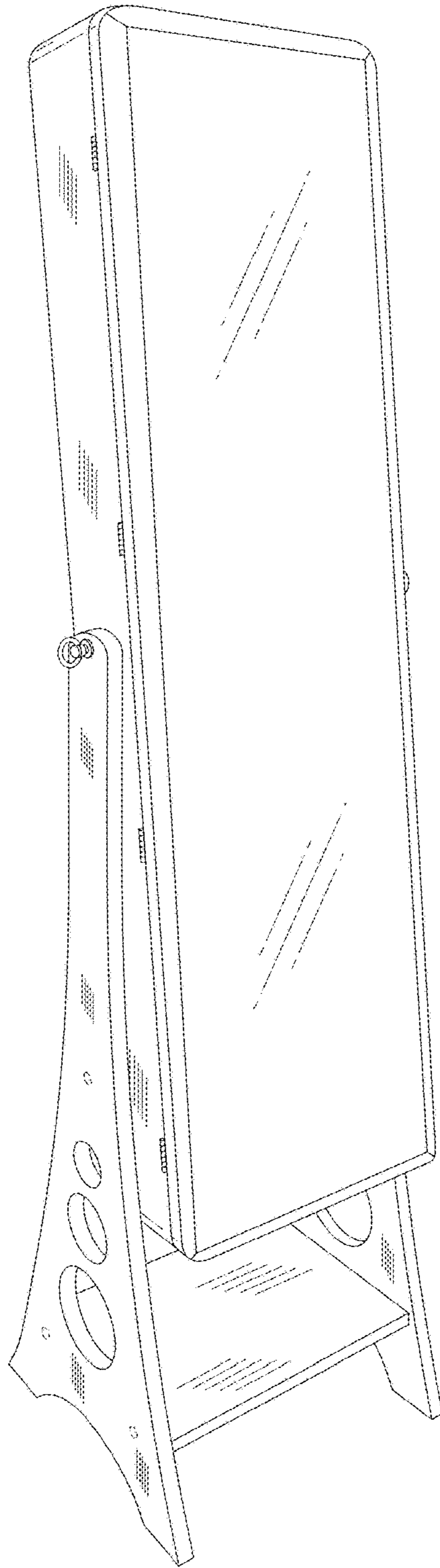


FIG. 1

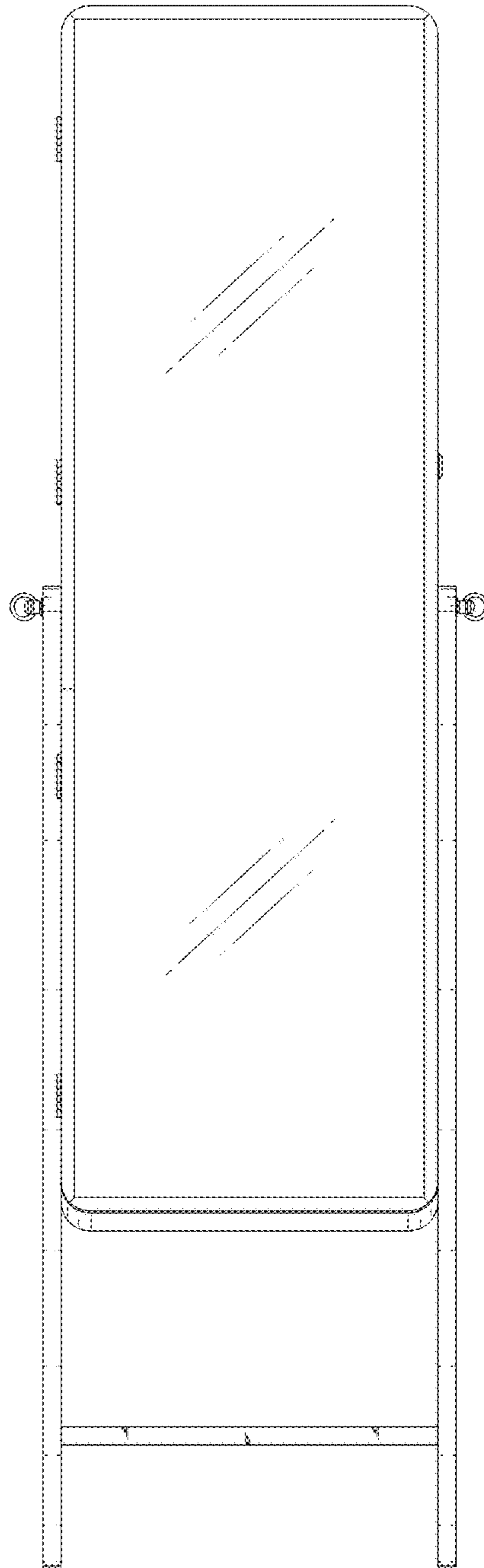


FIG. 2

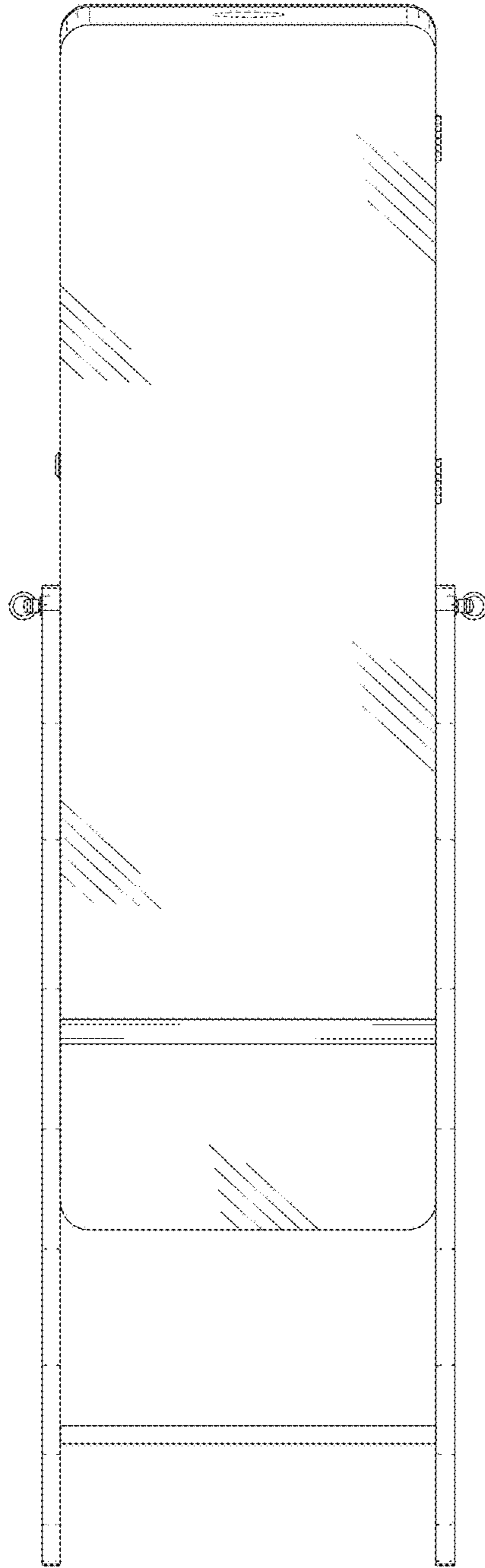


FIG. 3

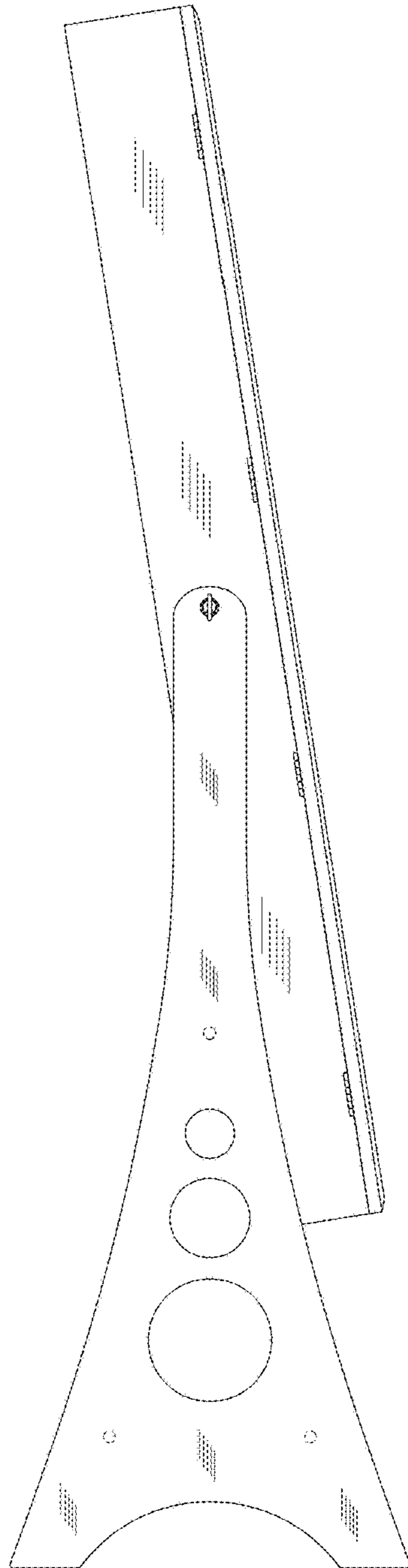


FIG. 4

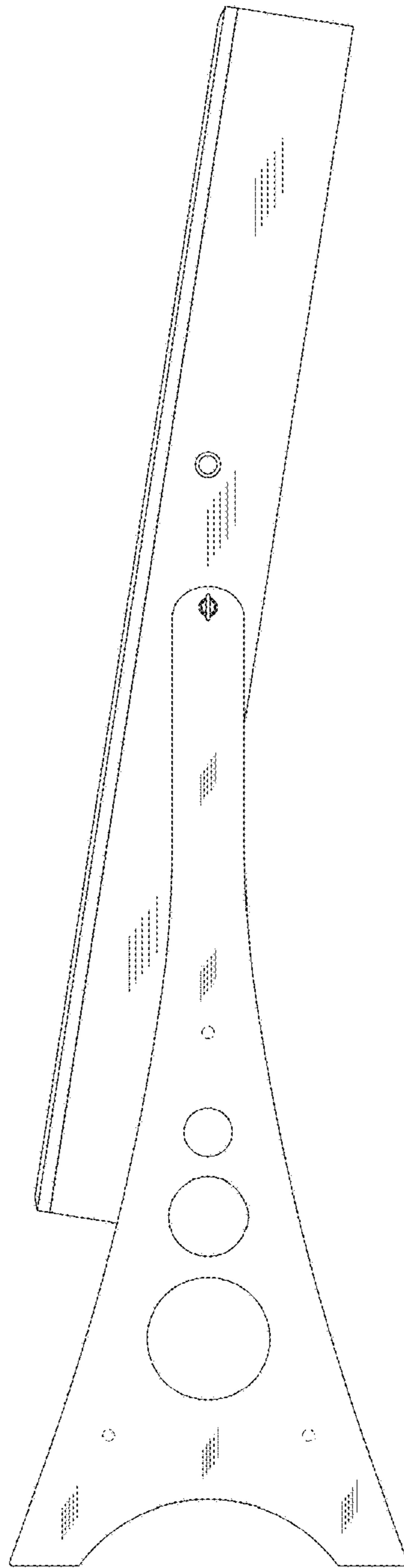


FIG. 5

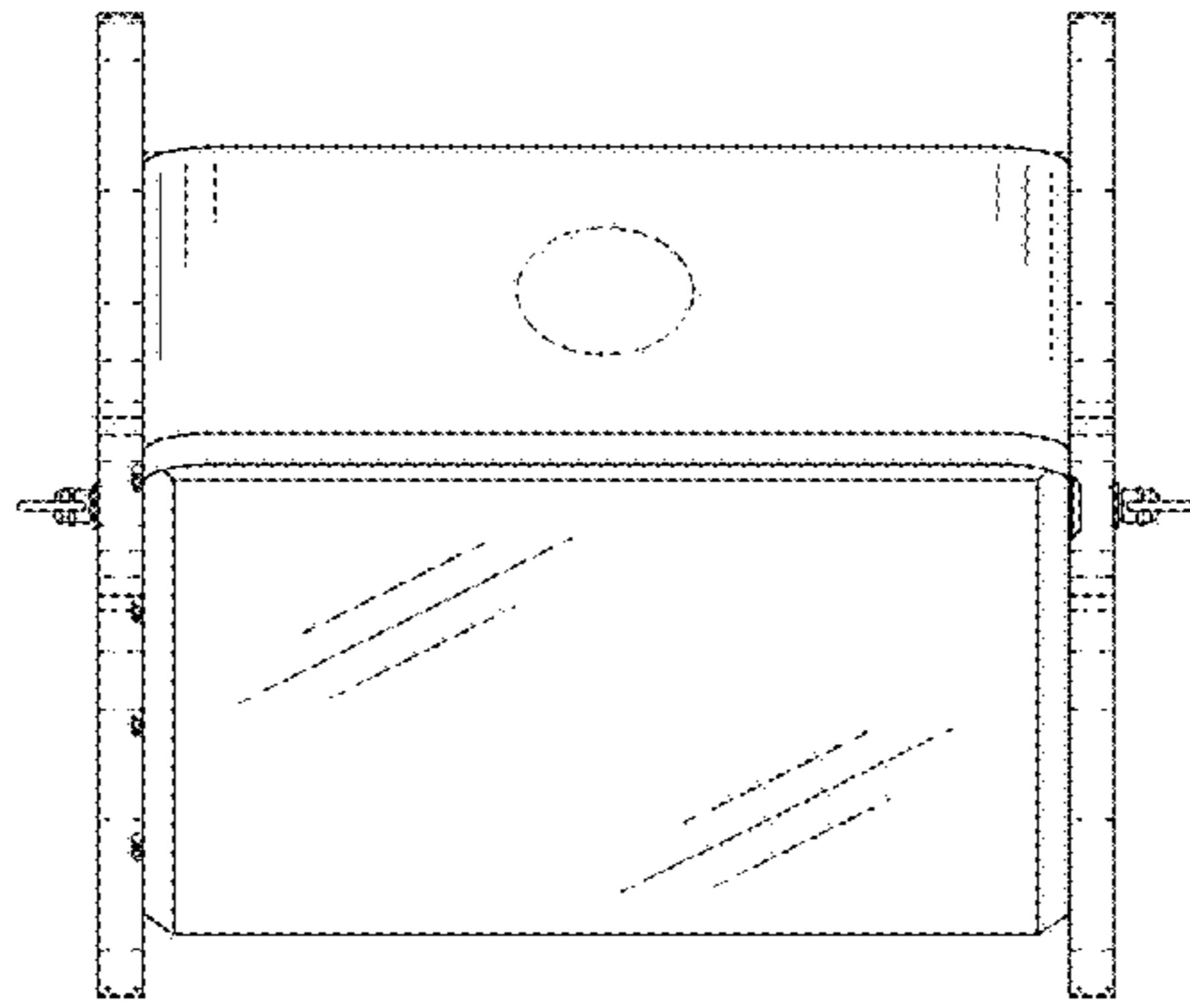


FIG. 6

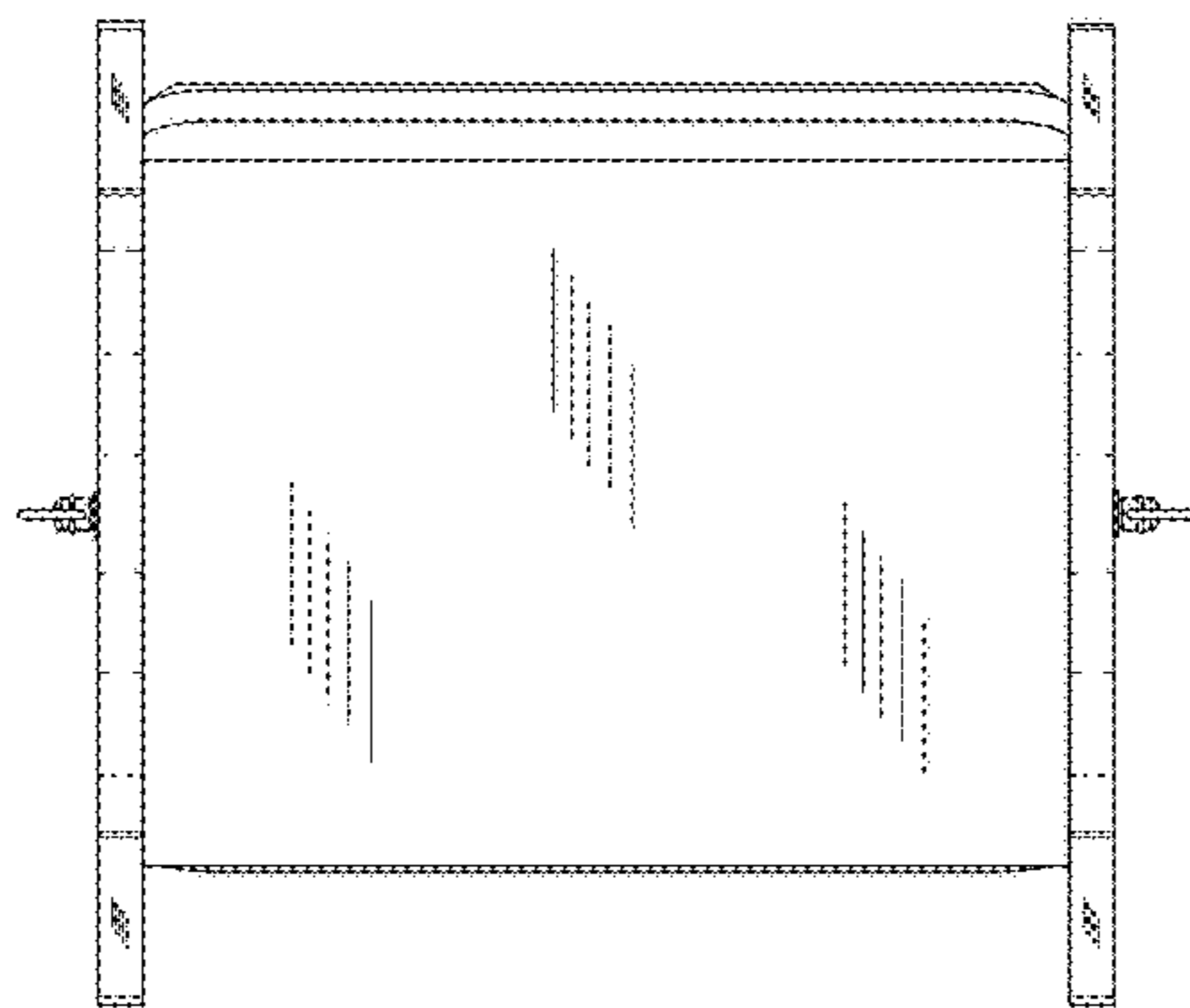


FIG. 7

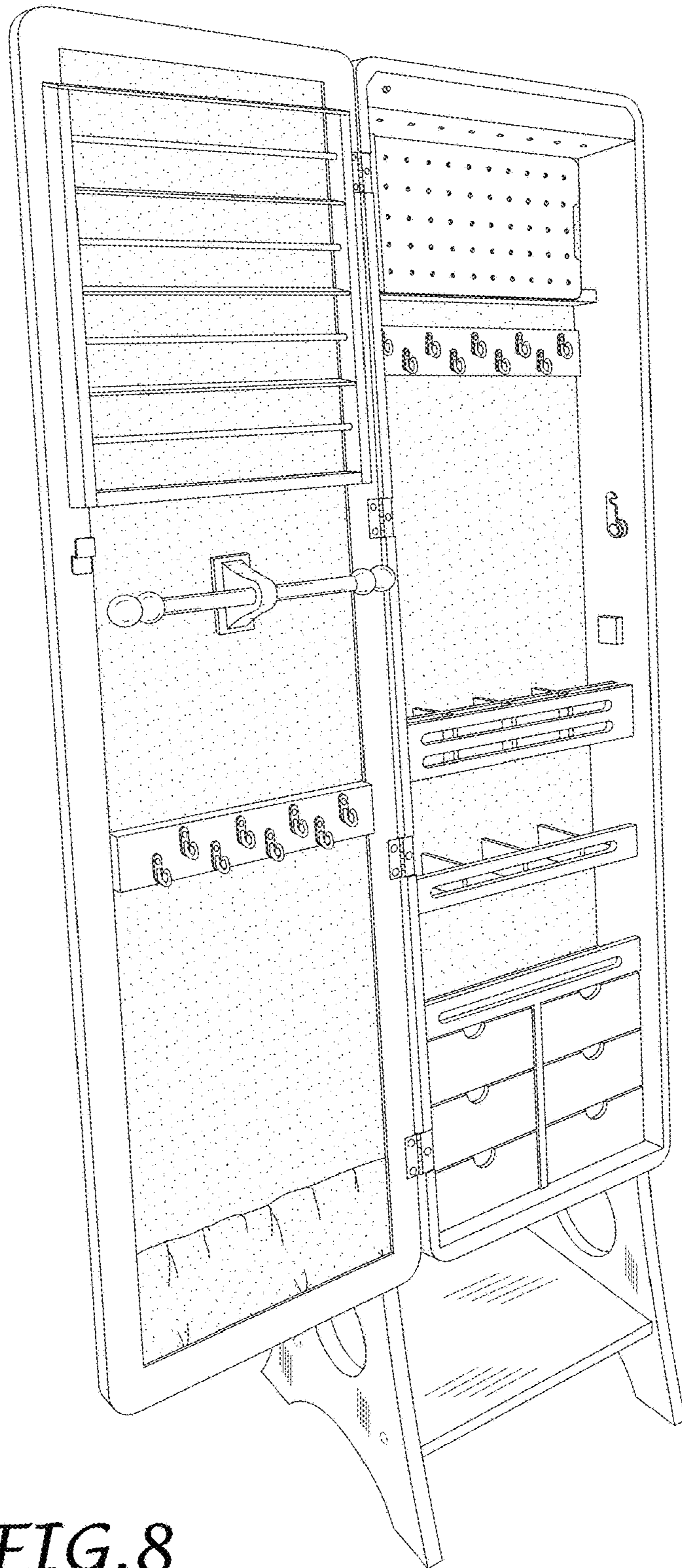


FIG. 8

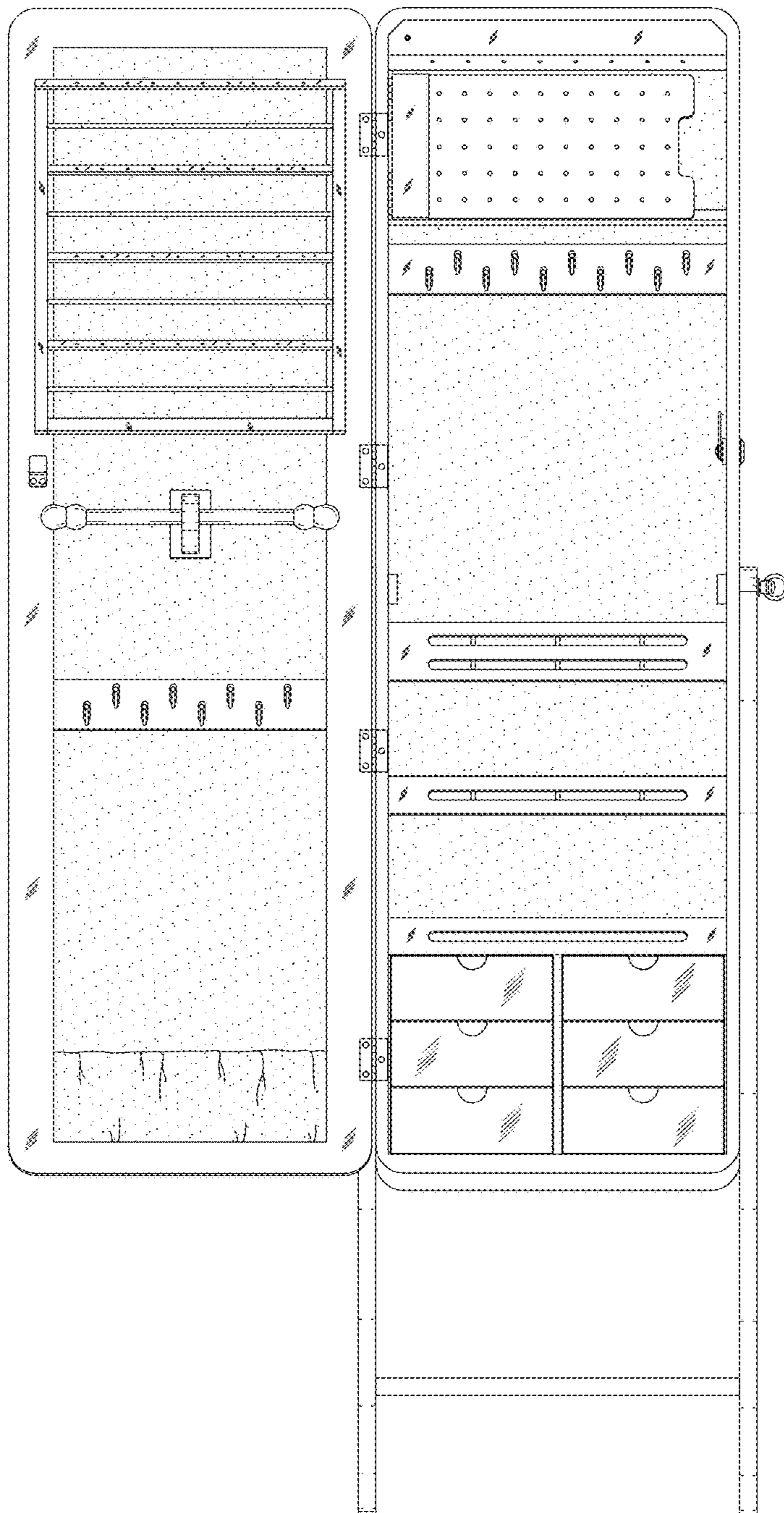


FIG. 9

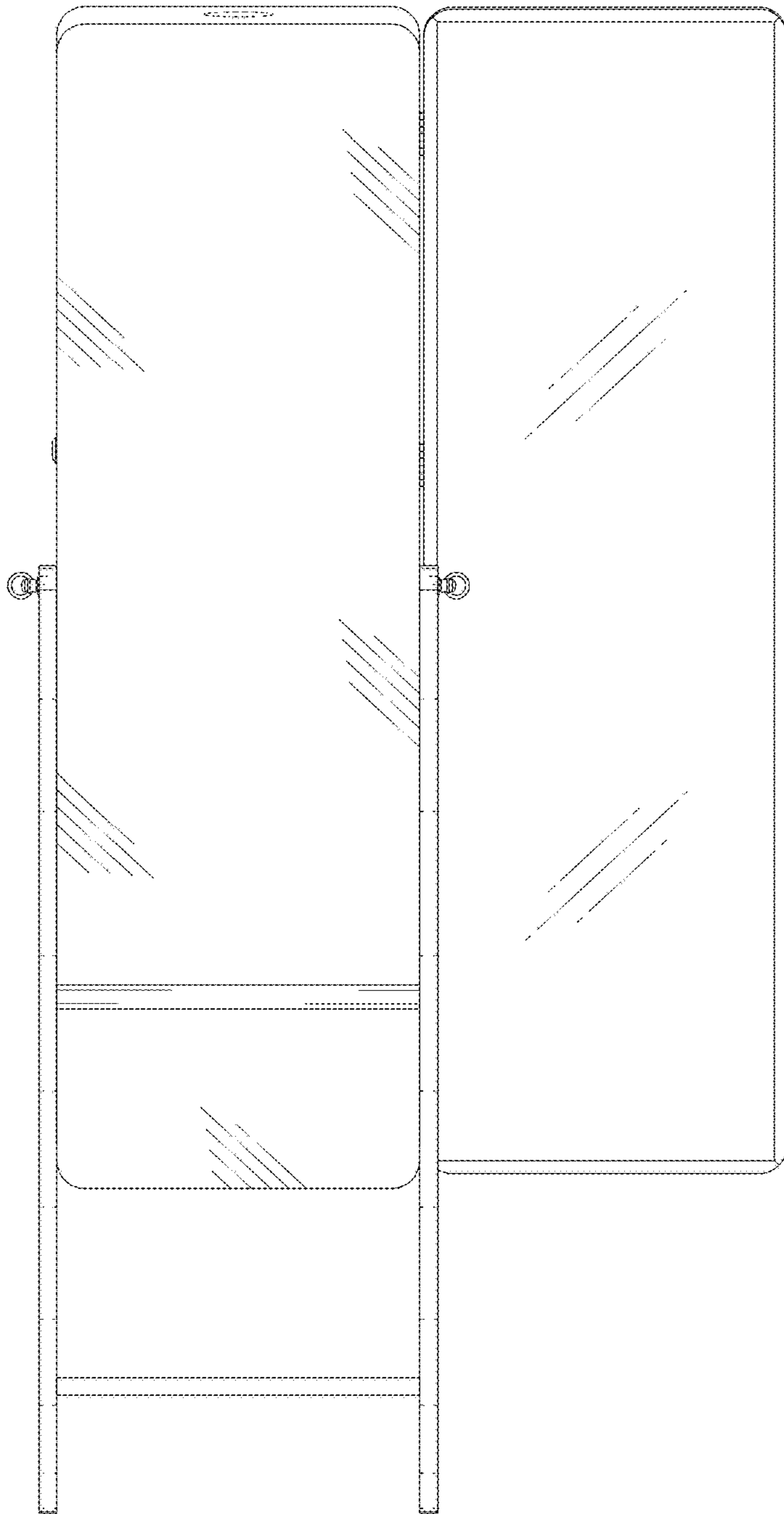


FIG. 10

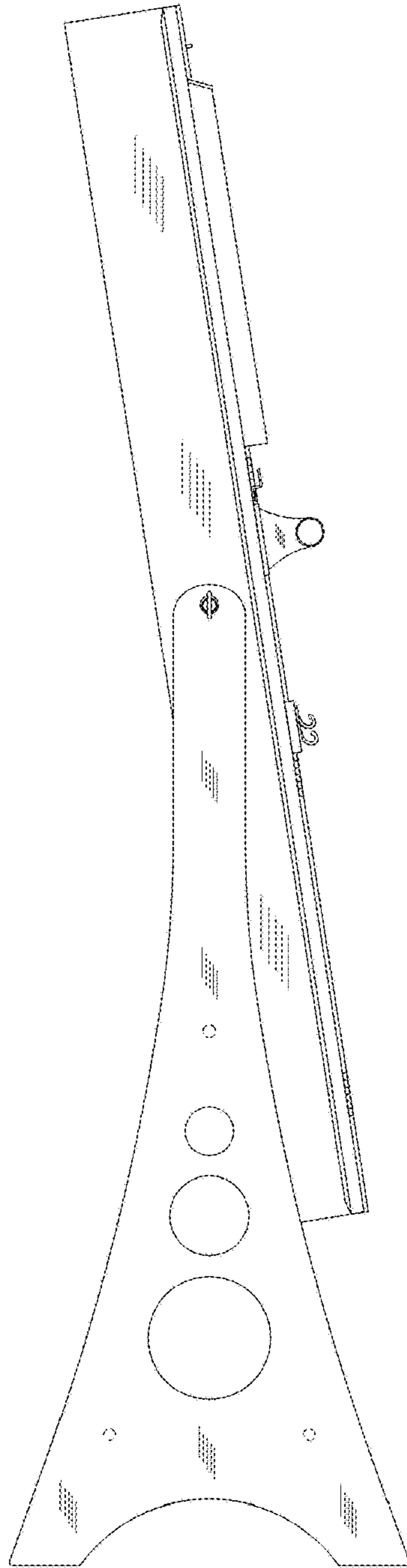


FIG. 11

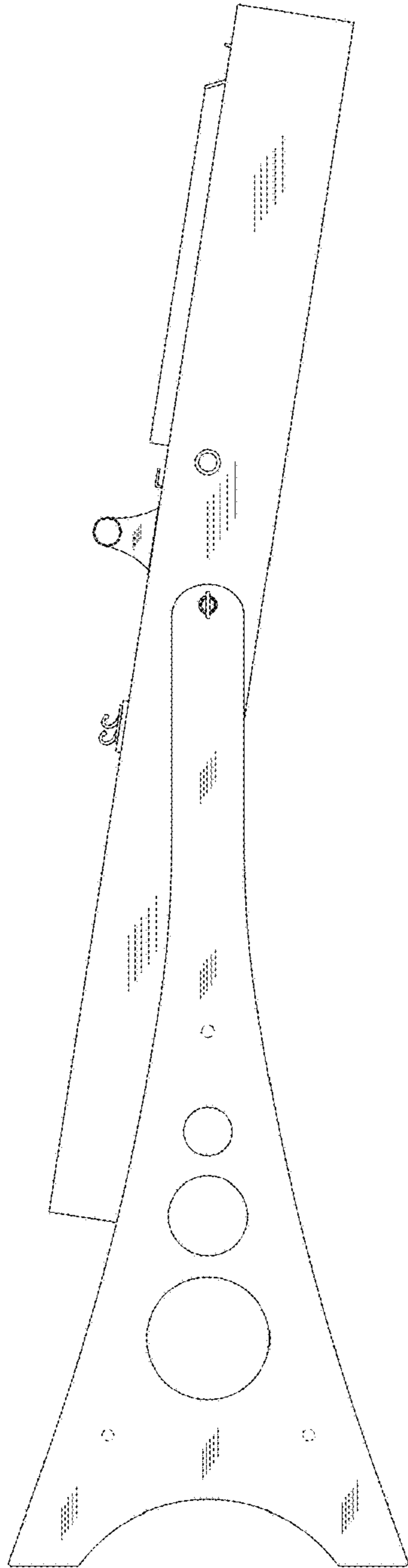


FIG. 12

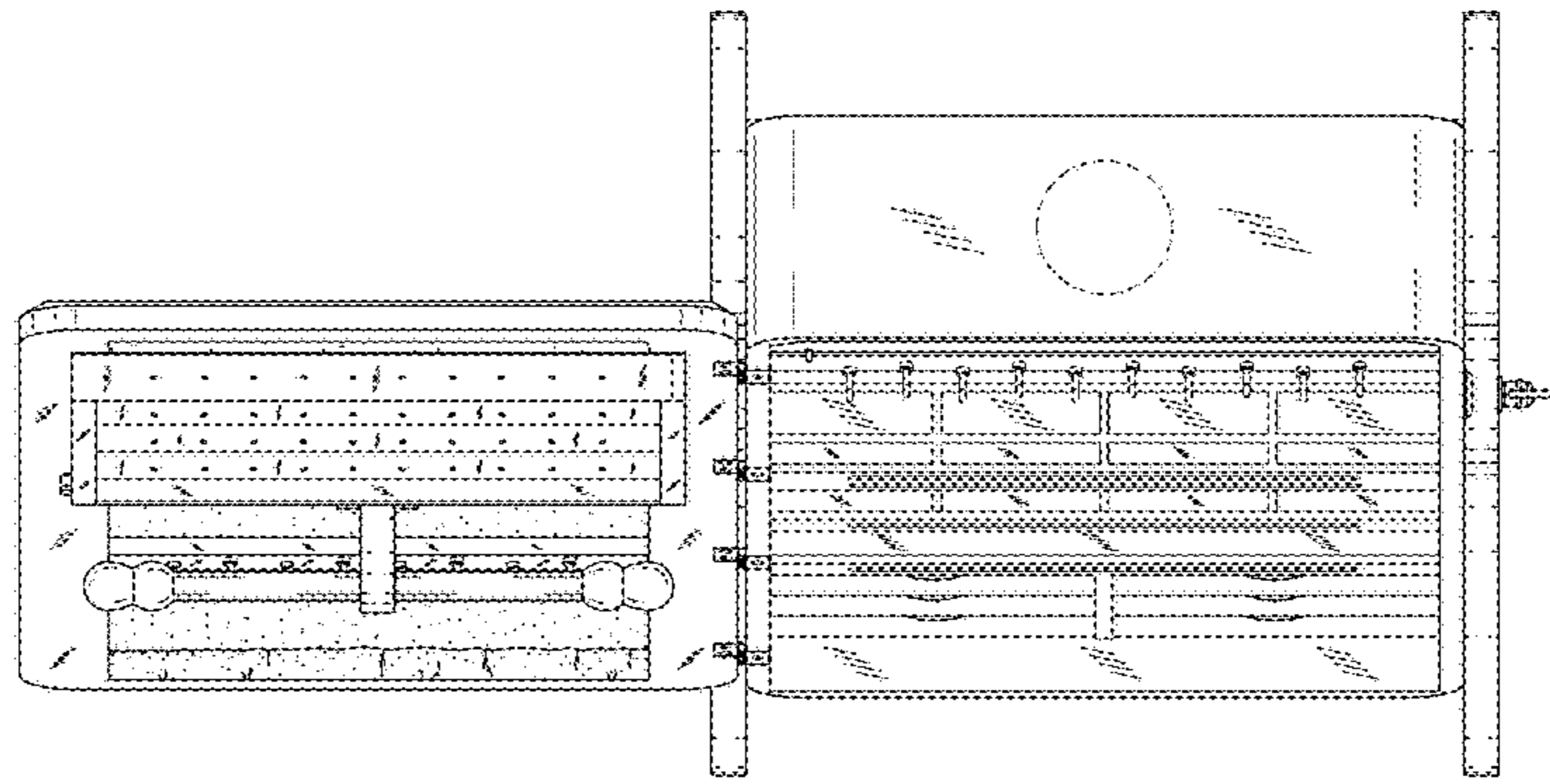


FIG. 13

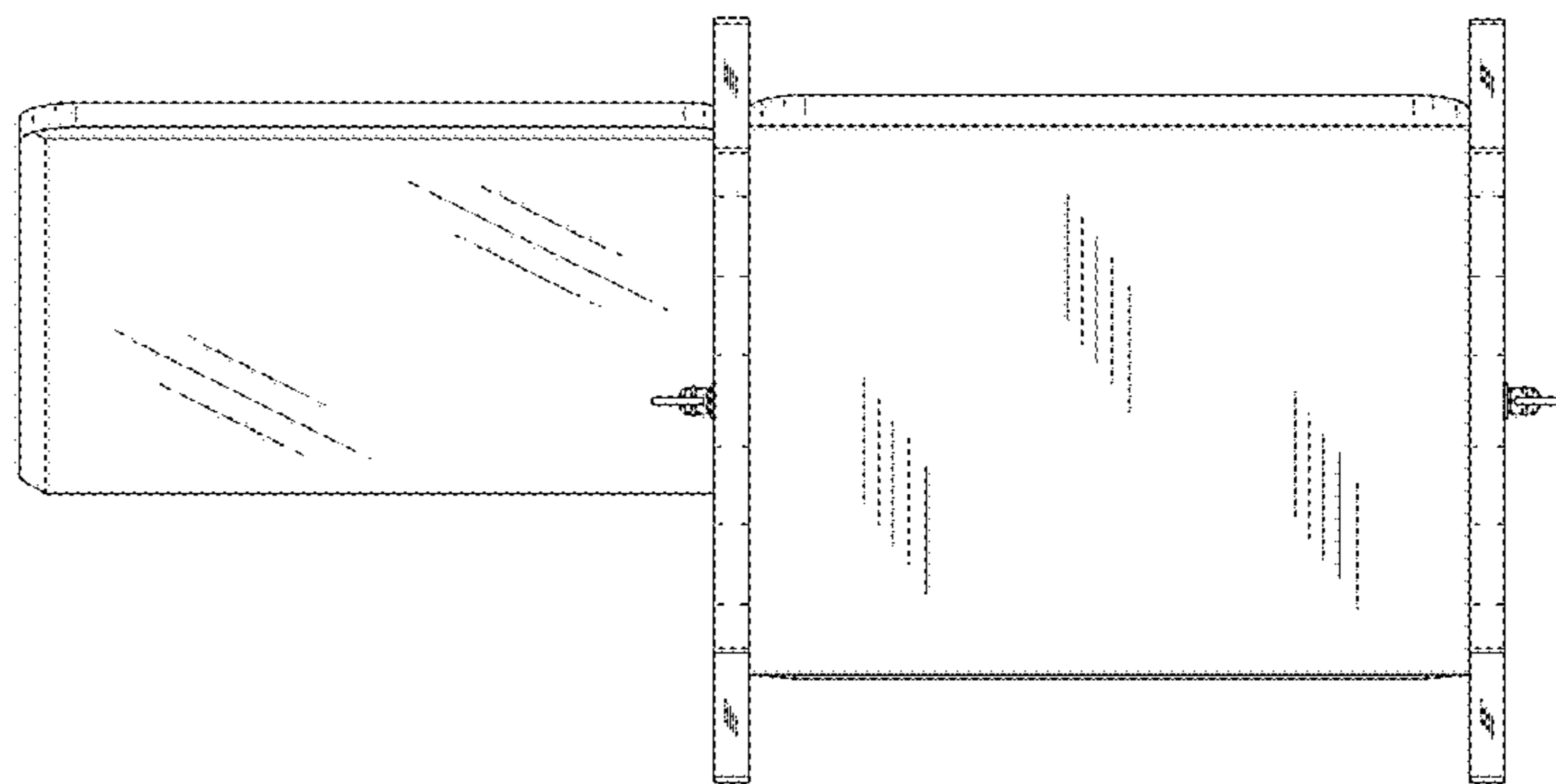


FIG. 14