



US00D863836S

(12) **United States Design Patent**
Saotome

(10) **Patent No.:** **US D863,836 S**
(45) **Date of Patent:** **** Oct. 22, 2019**

(54) **STORAGE FURNITURE**
(71) Applicant: **Okamura Corporation**, Yokohama-shi,
Kanagawa (JP)
(72) Inventor: **Hiroshi Saotome**, Yokohama (JP)
(73) Assignee: **Okamura Corporation**, Yokohama-shi,
Kanagawa (JP)
(**) Term: **15 Years**
(21) Appl. No.: **29/622,453**

3,289,145 A * 11/1966 Frompovicz H01R 13/28
174/153 G
4,688,131 A * 8/1987 Noda G11B 17/02
360/137
4,879,889 A * 11/1989 DeForrest, Sr. E05B 67/38
70/56
5,391,156 A * 2/1995 Hildwein A61B 17/29
411/503
5,399,809 A * 3/1995 Takenouchi H01L 23/49527
174/261
5,588,621 A * 12/1996 Collins, Jr. G06K 7/10
235/462.43
5,779,500 A * 7/1998 Tokuwa H01R 13/743
439/544

(22) Filed: **Oct. 17, 2017**

(30) **Foreign Application Priority Data**

Apr. 17, 2017 (JP) 2017-008214
May 16, 2017 (JP) 2017-010439

(51) **LOC (12) Cl.** **06-04**

(52) **U.S. Cl.**
USPC **D6/663**

(58) **Field of Classification Search**
USPC D6/407, 657, 661, 663, 664, 664.1,
D6/668.2, 671, 671.1, 671.4, 675, 675.1,
D6/675.5, 683.1, 691.1, 691.8, 691.9,
D6/702, 703; D14/168, 184; D15/85
CPC ... A47B 47/024; A47B 87/008; A47B 87/002;
A47B 88/48; A47B 88/90; A47F 9/00;
A47F 3/0413; A47F 5/116; A47F 5/0018;
Y10T 428/24694; F25D 21/14; F25D
23/069; F25D 2400/10
See application file for complete search history.

(56) **References Cited**

U.S. PATENT DOCUMENTS

116,981 A * 7/1871 Mitchell B65B 67/12
248/97
3,255,937 A * 6/1966 Jarrett B65D 35/08
222/480

(Continued)

Primary Examiner — Kevin K Rudzinski

Assistant Examiner — Paul D Bohannon

(74) *Attorney, Agent, or Firm* — Banner & Witcoff, Ltd.

(57) **CLAIM**

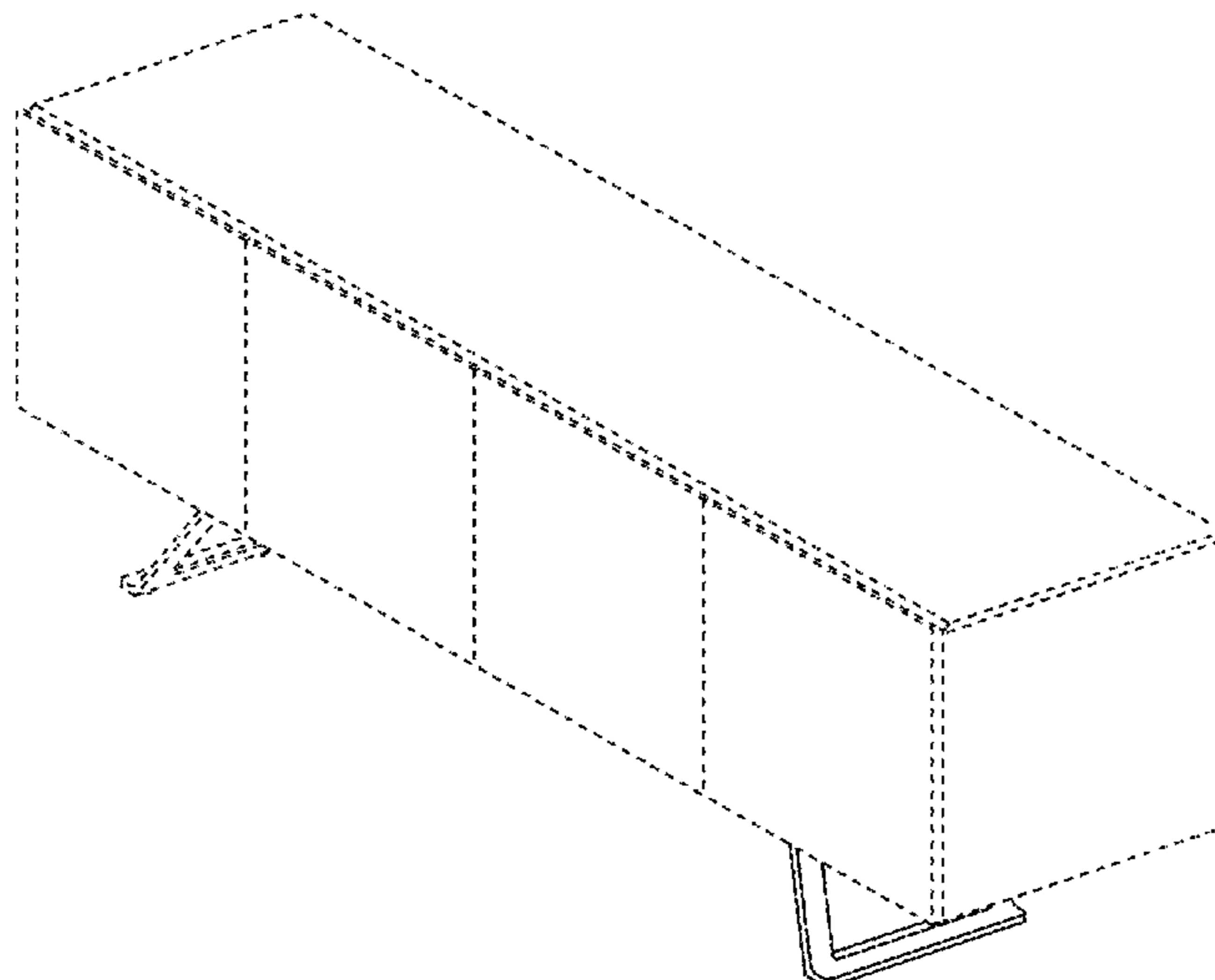
The ornamental design for a storage furniture as shown and described.

DESCRIPTION

FIG. 1 is a front perspective view of a storage furniture showing my new design;
FIG. 2 is a rear perspective view thereof;
FIG. 3 is a front view thereof;
FIG. 4 is a right side view thereof, the left view thereof being a mirror image;
FIG. 5 is a top view thereof;
FIG. 6 is a rear view thereof;
FIG. 7 is a bottom view thereof;
FIG. 8 is a cross-sectional view taken along the line 8-8 in FIG. 5; and,
FIG. 9 is a cross-sectional view taken along the line 9-9 in FIG. 3.

The broken lines shown in the drawings are included for the purpose of illustrating portions of the storage furniture that form no part of the claimed design.

1 Claim, 5 Drawing Sheets



(56)

References Cited

U.S. PATENT DOCUMENTS

6,116,981 A * 9/2000 Zheng A63H 33/065
446/106
6,122,164 A * 9/2000 Liao G06F 1/1658
248/500
D440,226 S * 4/2001 Harvey D14/441
D448,489 S * 9/2001 Jackson D25/48.3
D513,678 S * 1/2006 Henriott D6/702
D588,380 S * 3/2009 Bucholz D6/691.5
D734,631 S * 7/2015 Velez D6/349
D742,667 S * 11/2015 Weatherly D6/671.1
D790,893 S * 7/2017 Grossinger D6/691
D799,861 S * 10/2017 Krusin D6/671.1
D841,377 S * 2/2019 Jacoby D6/691.7

* cited by examiner

FIG. 1

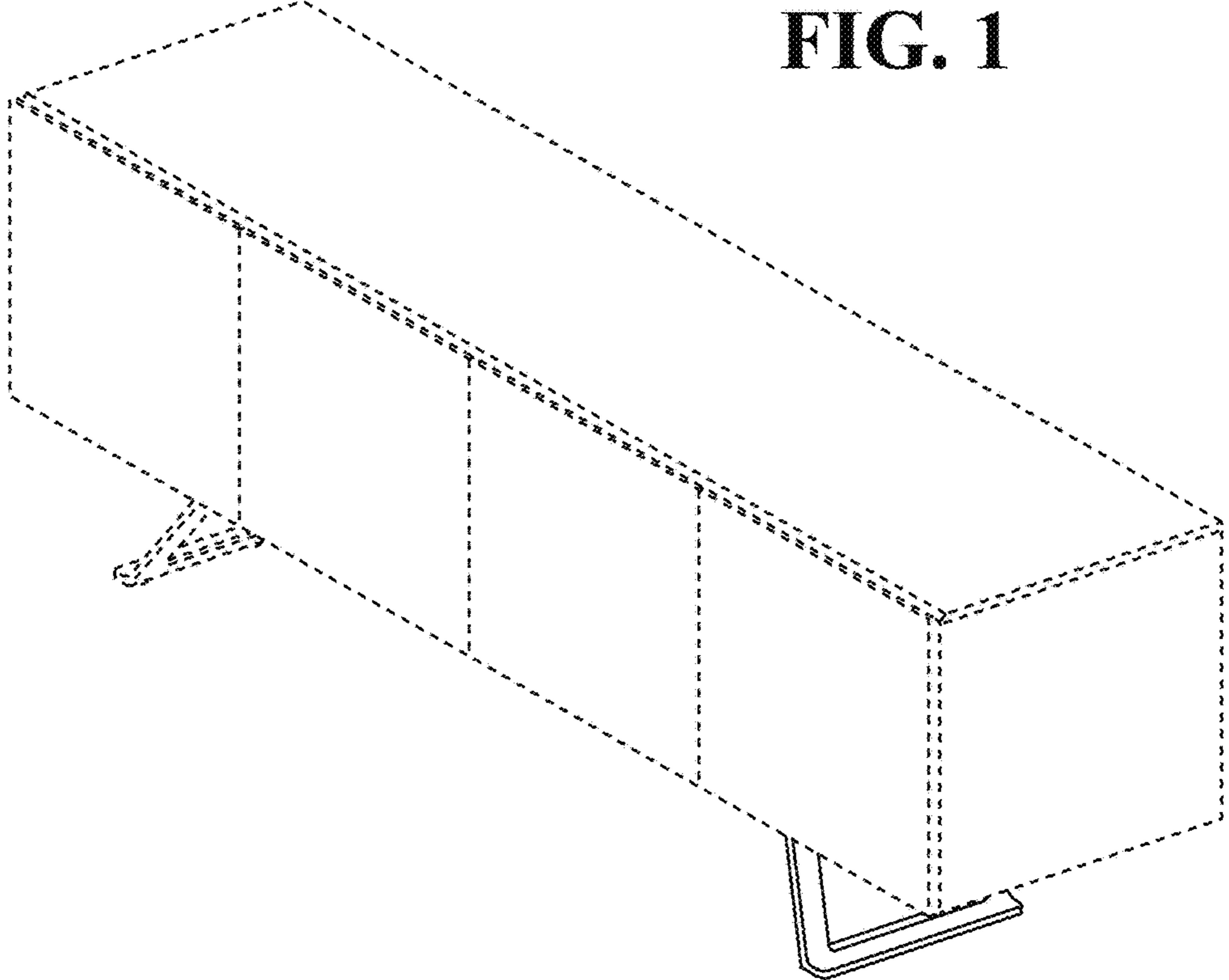


FIG. 2

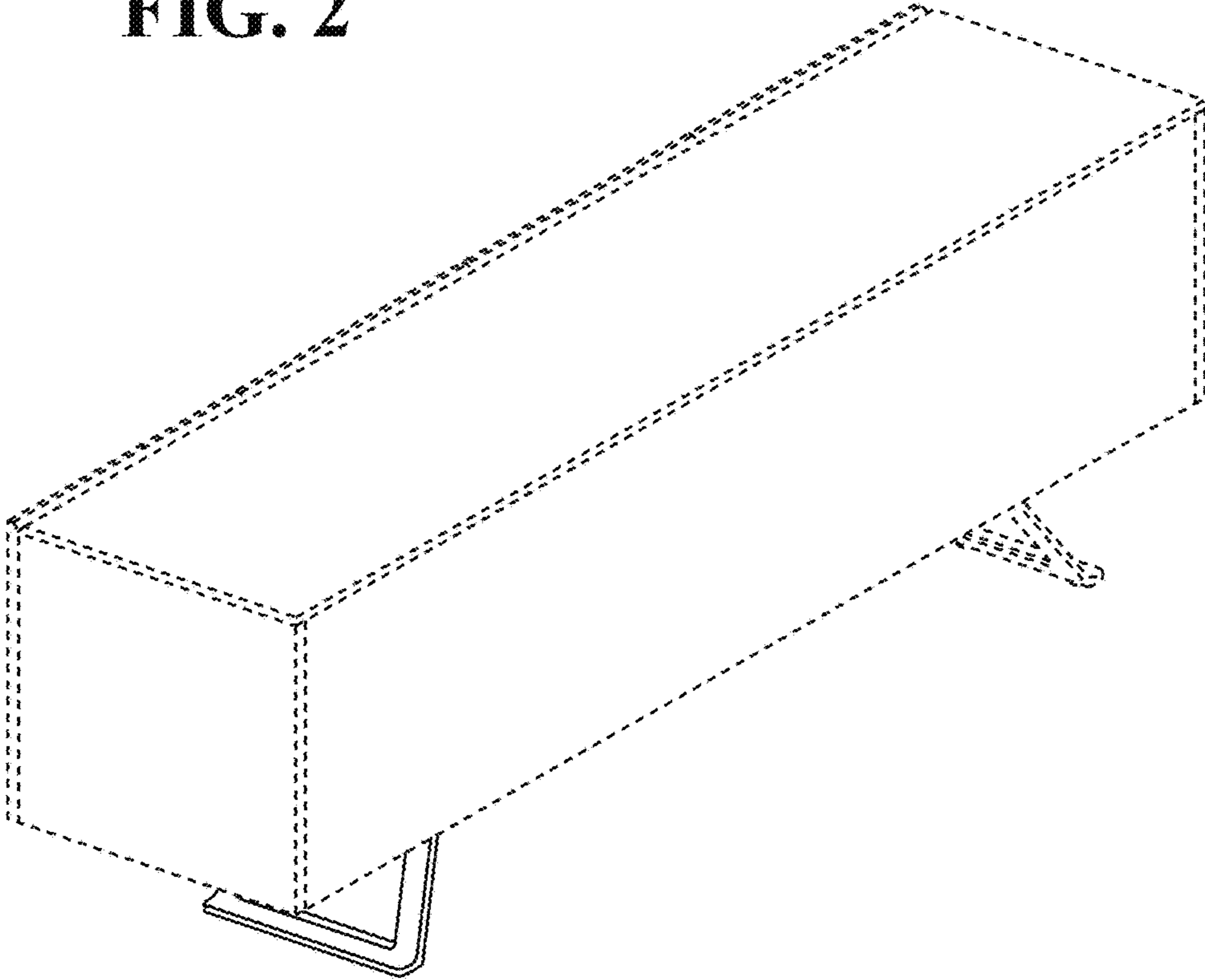


FIG. 3

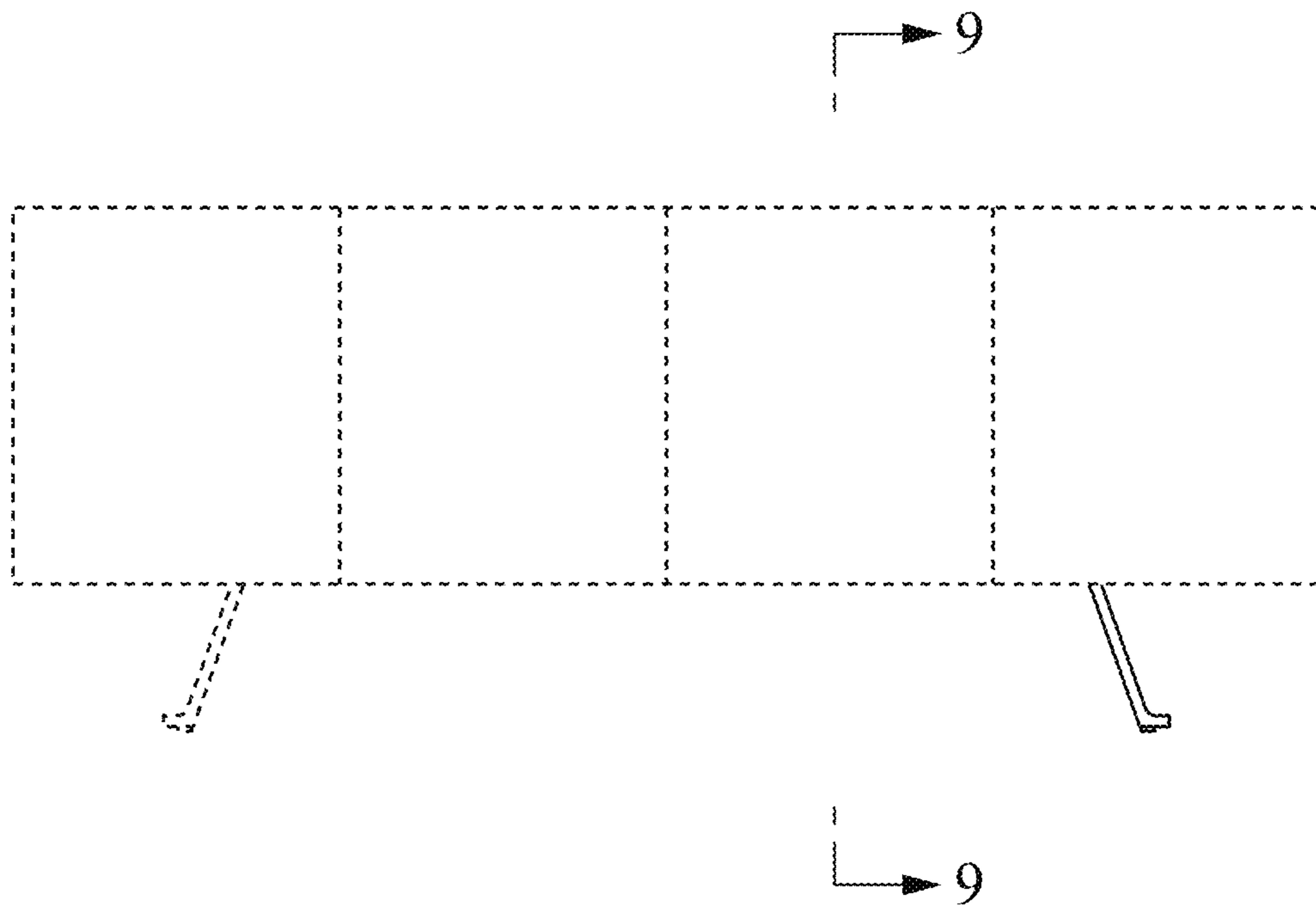


FIG. 4

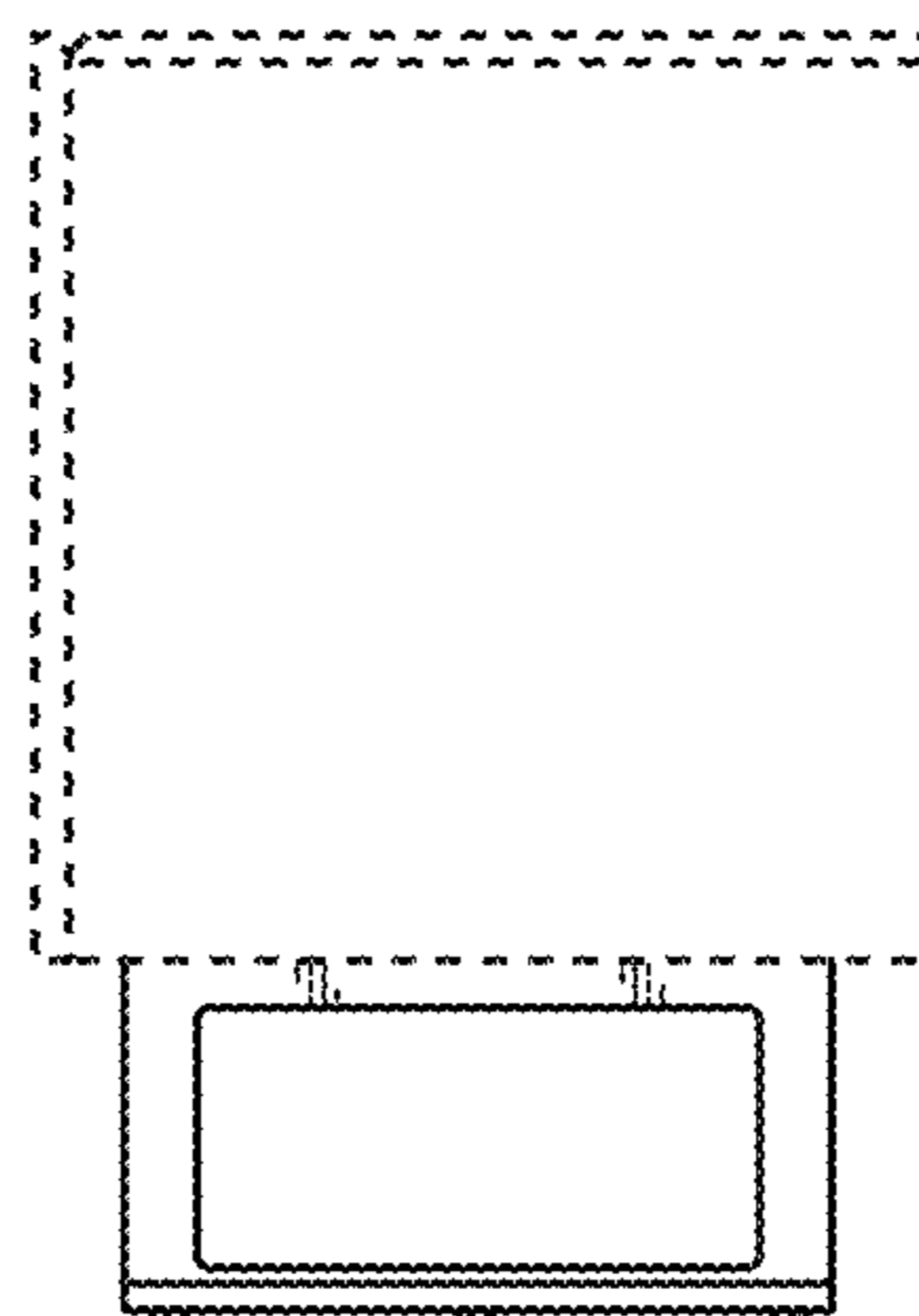


FIG. 5



FIG. 6

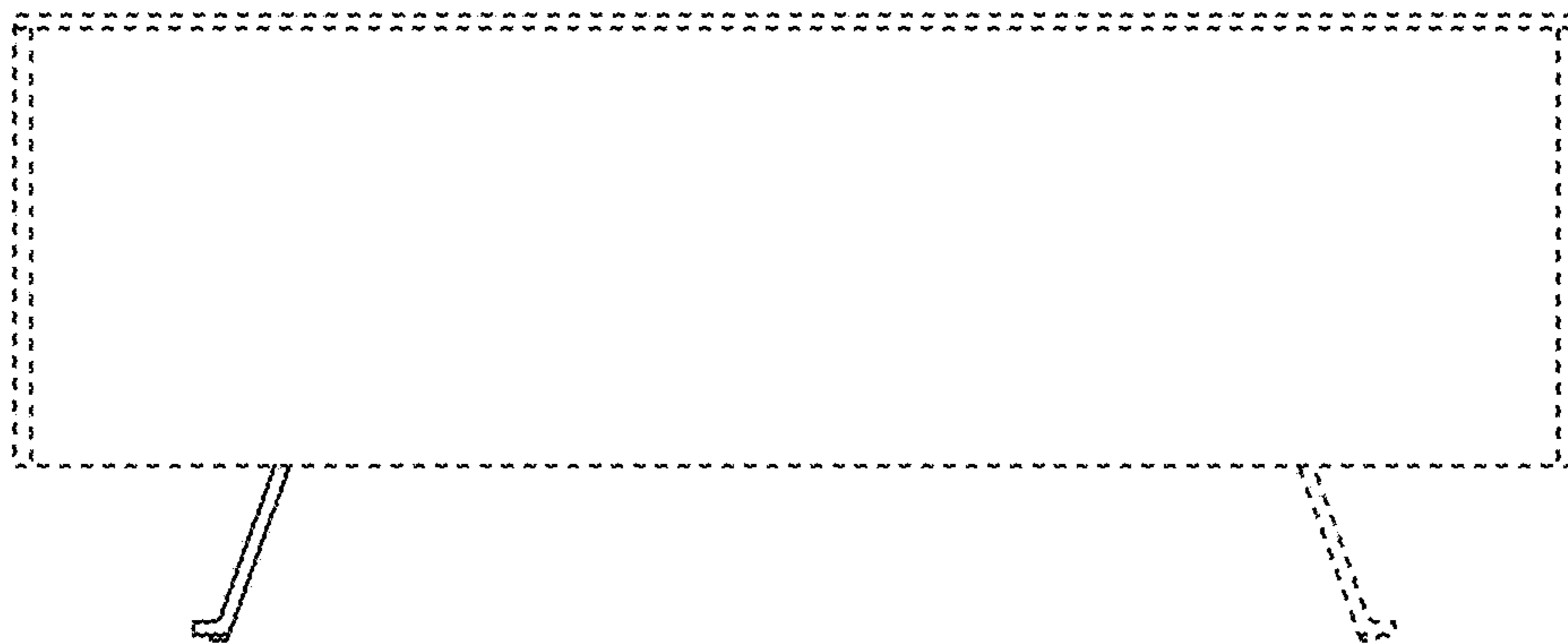


FIG. 7



FIG. 8

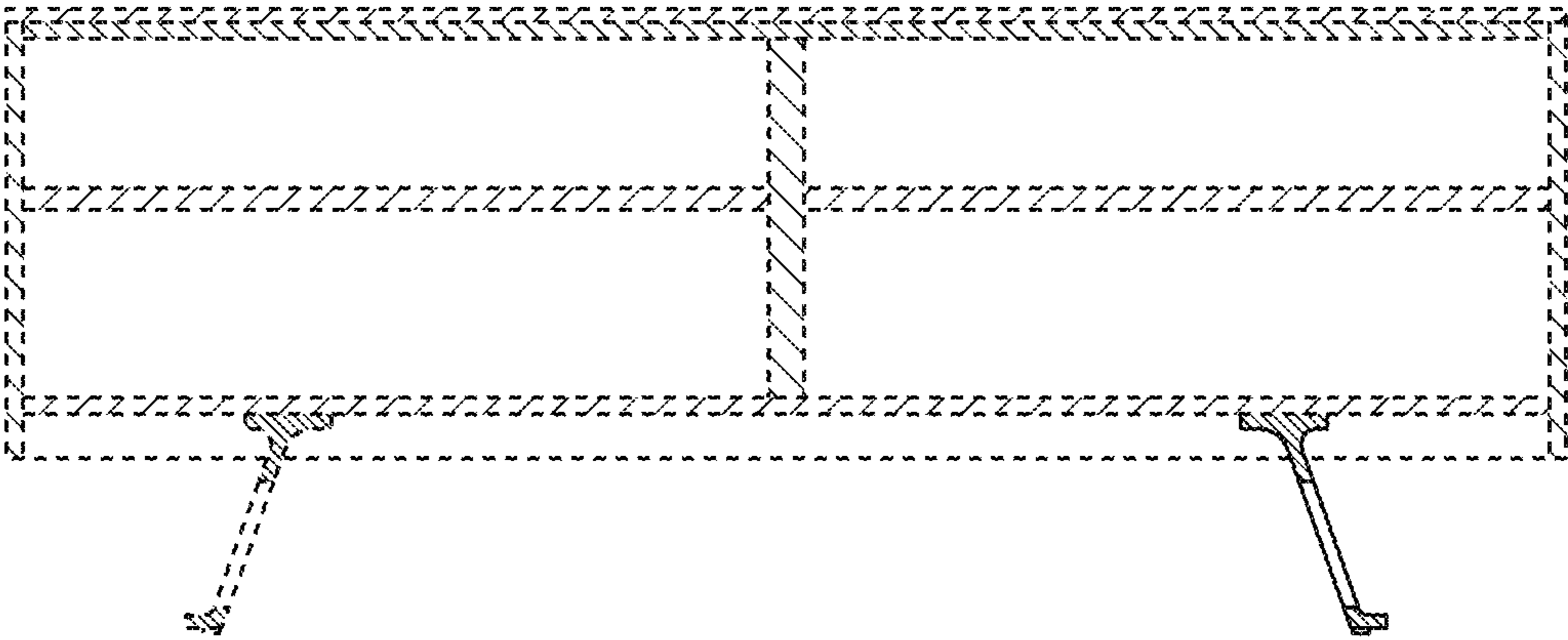


FIG. 9

