



US00D863835S

(12) **United States Design Patent**
Gelman

(10) **Patent No.:** **US D863,835 S**

(45) **Date of Patent:** **** Oct. 22, 2019**

(54) **VANITY**

(71) Applicant: **E&T HORIZONS LIMITED**
LIABILITY COMPANY, Melbourne,
FL (US)

(72) Inventor: **Eric Gelman**, Melbourne, FL (US)

(73) Assignee: **E&T HORIZONS LIMITED**
LIABILITY COMPANY, Melbourne,
FL (US)

(**) Term: **15 Years**

(21) Appl. No.: **29/657,713**

(22) Filed: **Jul. 25, 2018**

(51) **LOC (12) Cl.** **06-04**

(52) **U.S. Cl.**
USPC **D6/657**

(58) **Field of Classification Search**
USPC D23/286, 308; D6/653.1, 657, 659-661,
D6/663, 666, 671, 691.3, 709, 661.3, 668,
D6/688.21

CPC A47B 2200/12; A47B 88/40; A47B 77/06;
E01C 1/33

See application file for complete search history.

(56) **References Cited**

U.S. PATENT DOCUMENTS

D432,817 S * 10/2000 Gallien D6/671
D441,565 S * 5/2001 Cain D6/657
D446,047 S * 8/2001 Stone D6/671
D501,100 S * 1/2005 Walker D6/663

D513,137 S * 12/2005 De Blaay D6/657
D549,490 S * 8/2007 Brimacombe D6/663
D591,976 S * 5/2009 Mayer D6/671.1
D609,028 S * 2/2010 LeTourneau D6/663
D620,727 S * 8/2010 LeTourneau D23/286
D717,082 S * 11/2014 Dworman D6/657

* cited by examiner

Primary Examiner — Robert A Delehanty

(74) *Attorney, Agent, or Firm* — Mark Malek; Widerman
Malek, PL

(57) **CLAIM**

The ornamental design for a vanity, as shown and described.

DESCRIPTION

FIG. 1 is a front perspective view of a vanity according to the present invention.

FIG. 2 is a front elevation view of the vanity illustrated in FIG. 1.

FIG. 3 is a rear elevation view of the vanity illustrated in FIG. 1.

FIG. 4 is a side elevation view of the vanity illustrated in FIG. 1.

FIG. 5 is another side elevation view of the vanity illustrated in FIG. 1.

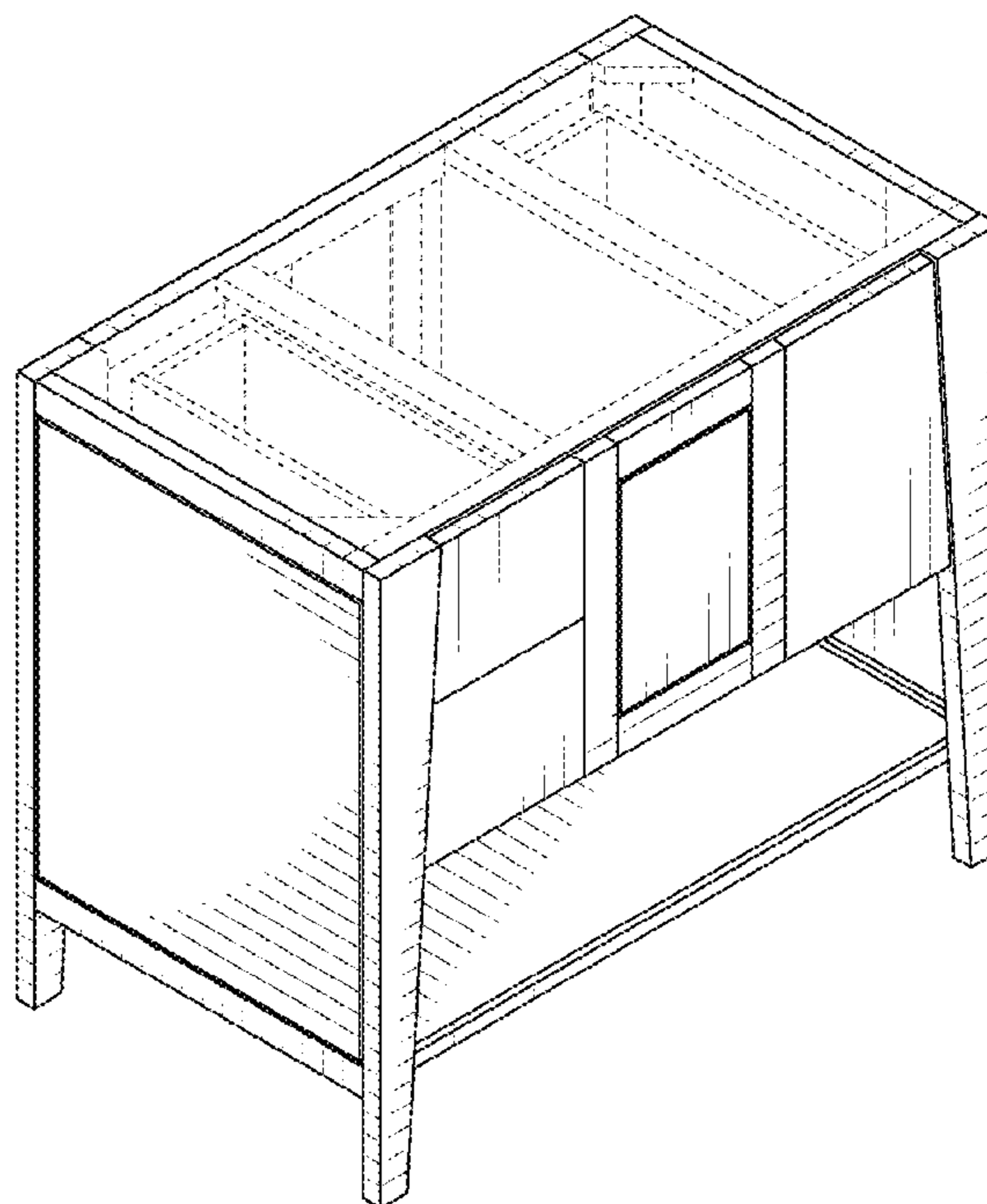
FIG. 6 is a top plan view of the vanity illustrated in FIG. 1.

FIG. 7 is a bottom plan view of the vanity illustrated in FIG. 1; and,

FIG. 8 is a rear perspective view of the vanity illustrated in FIG. 1.

The broken lines depict interior portions of the vanity that form no part of the claimed invention.

1 Claim, 5 Drawing Sheets



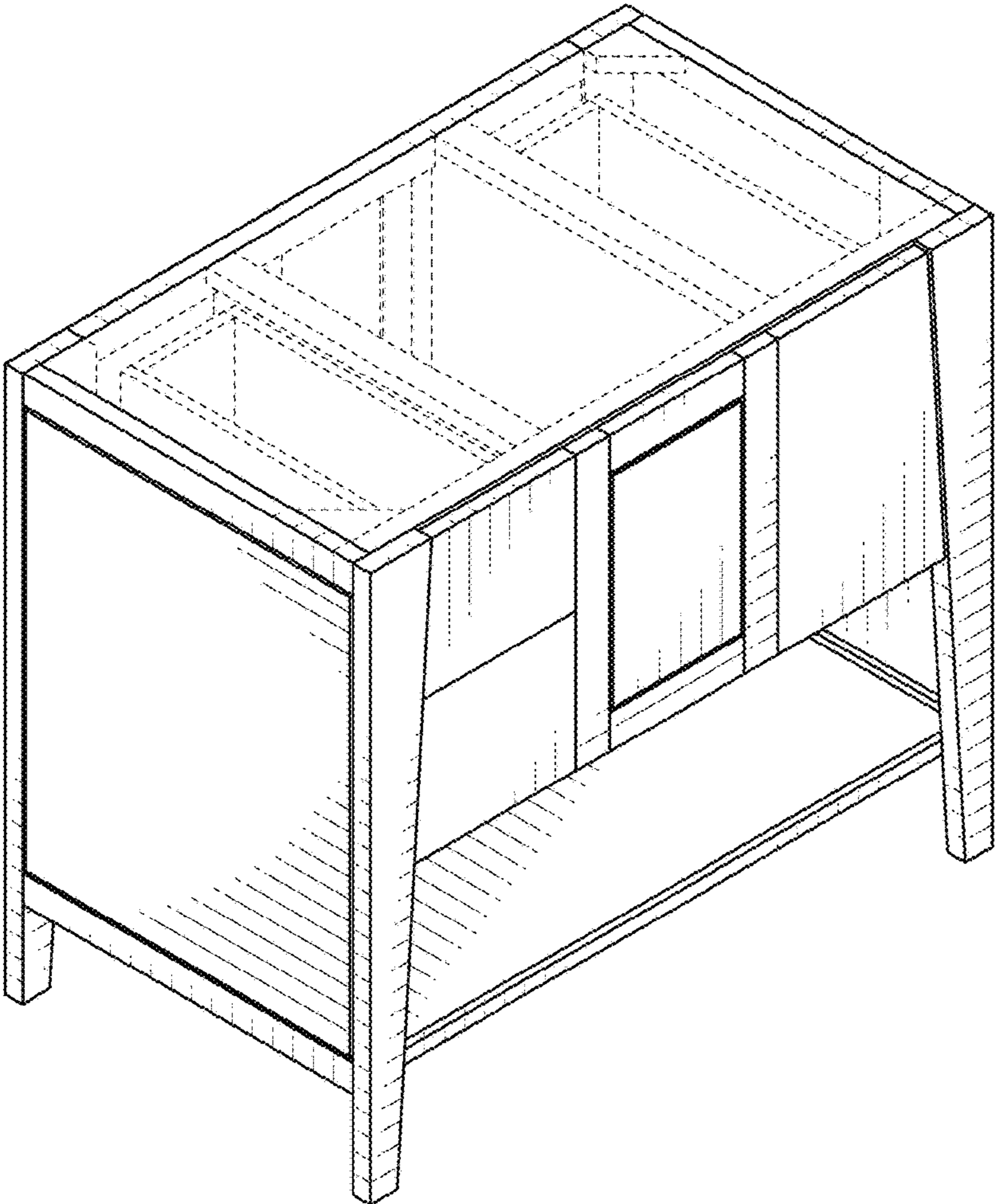


FIG. 1

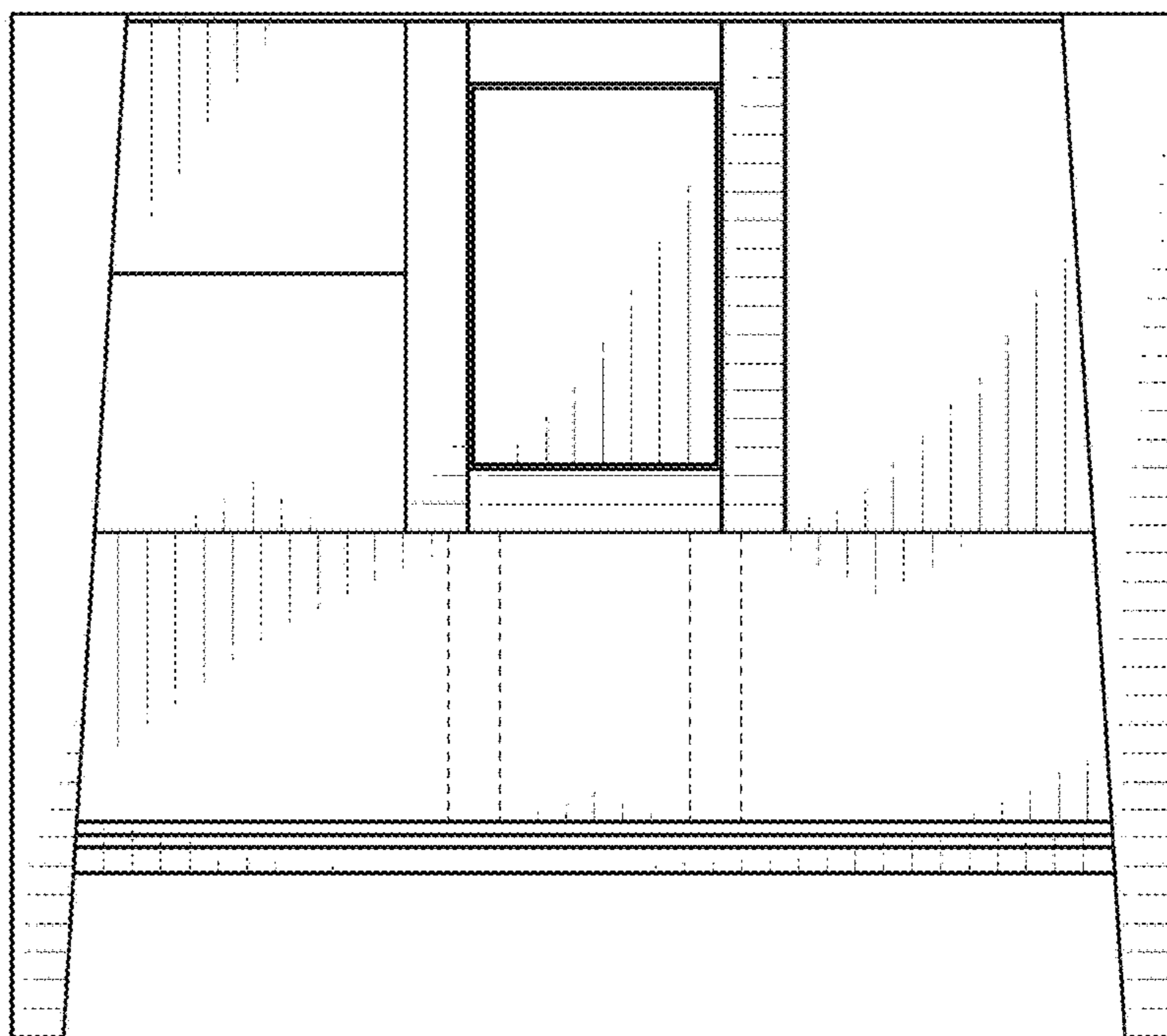


FIG. 2

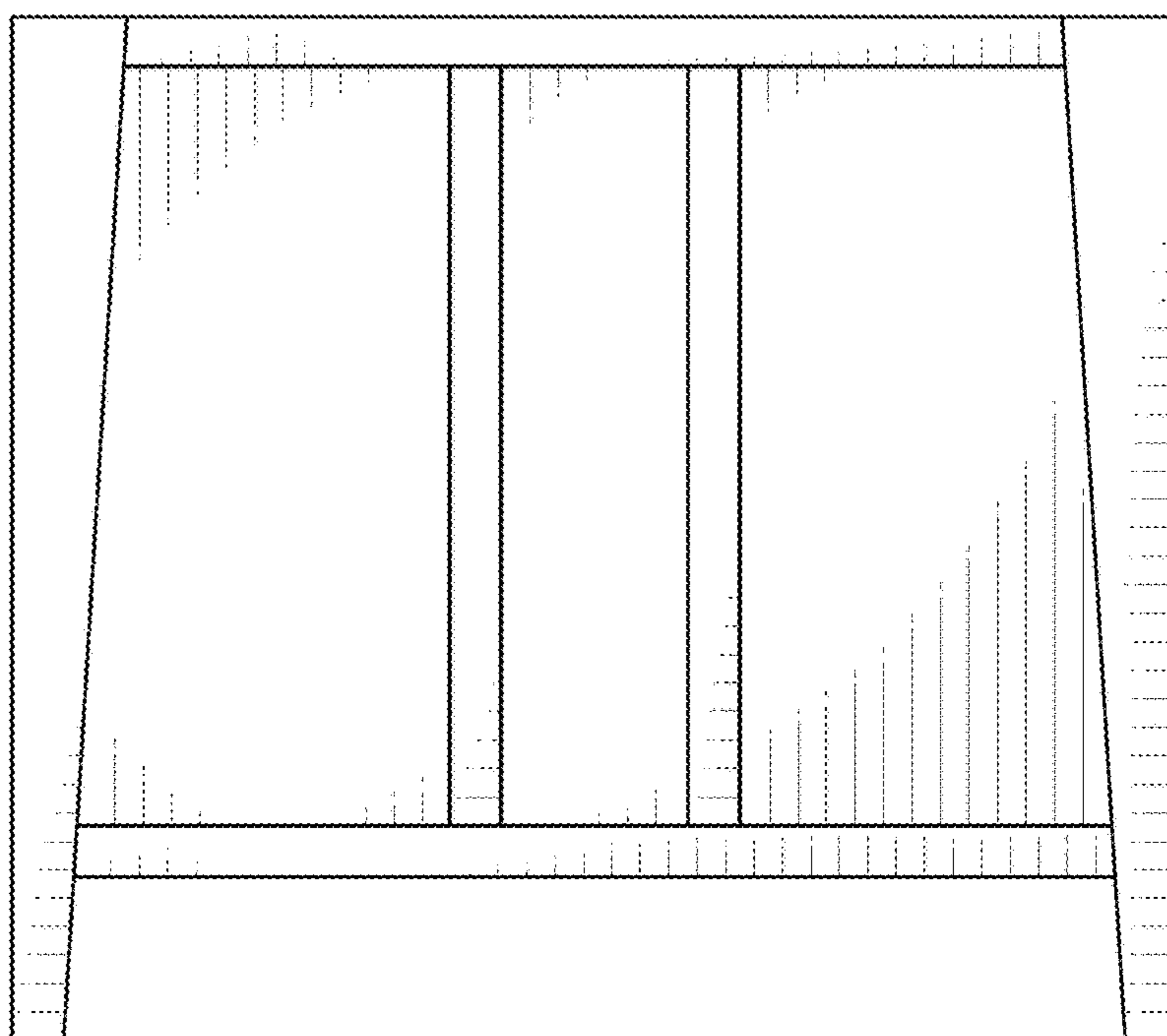


FIG. 3

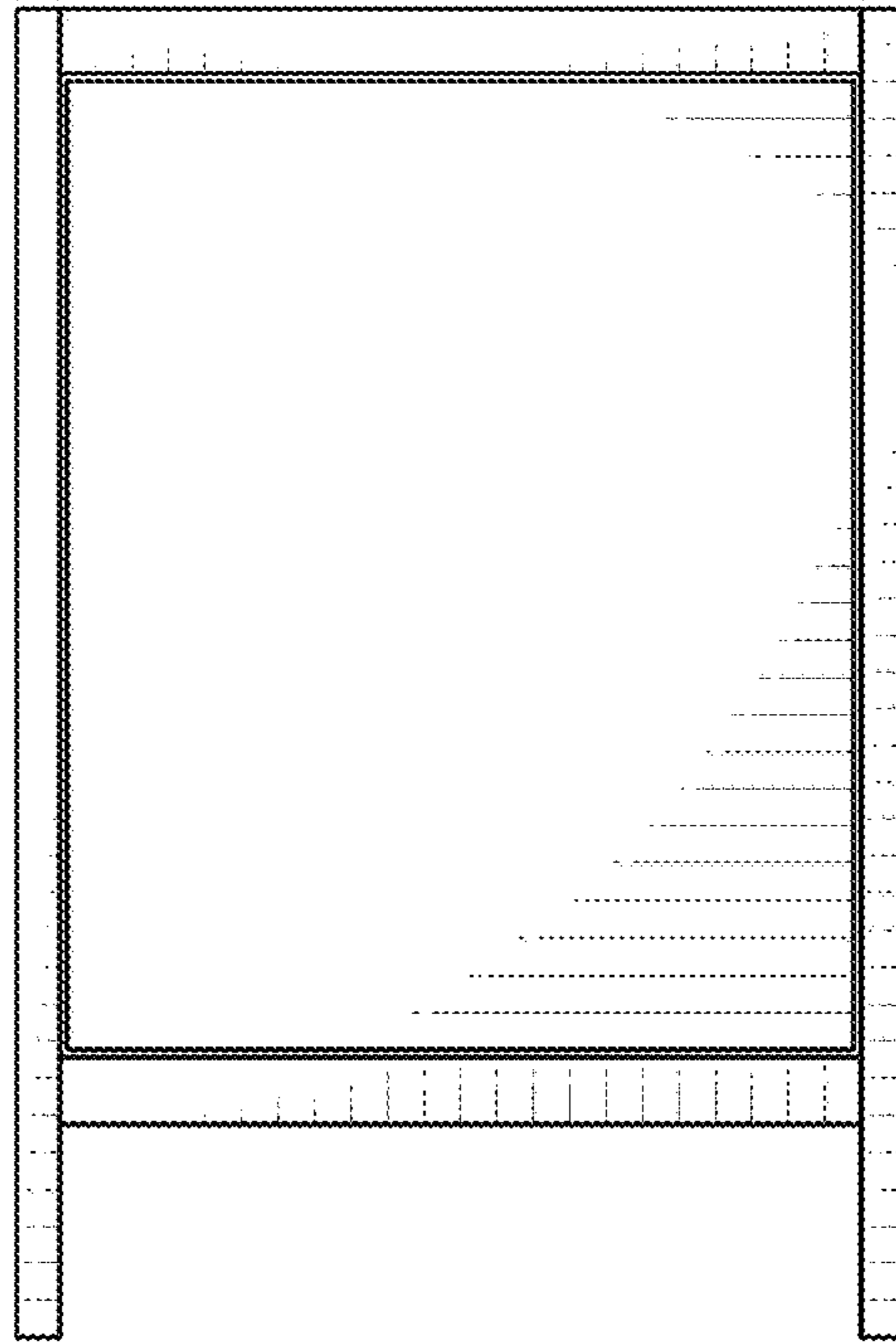


FIG. 4

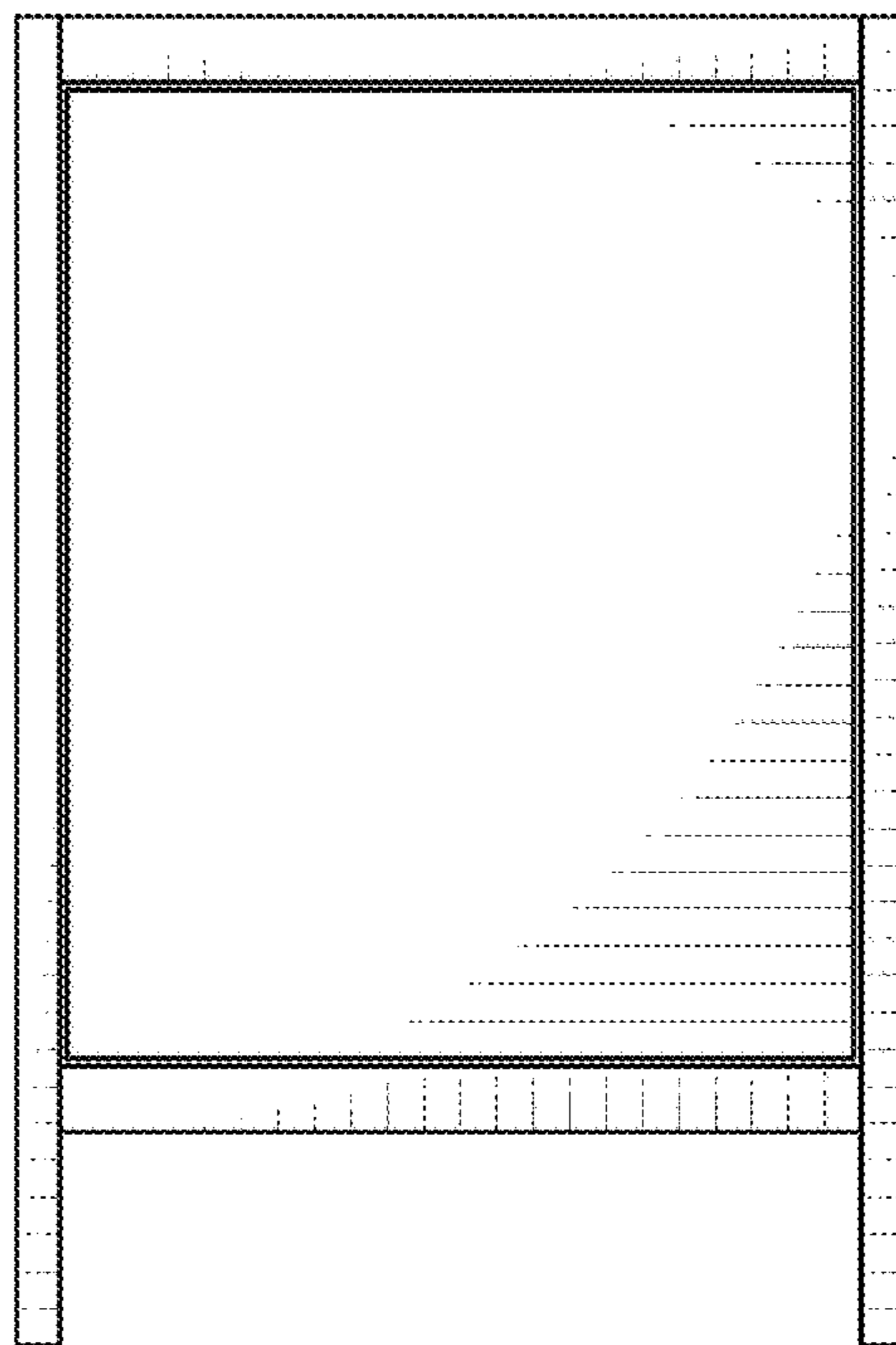


FIG. 5

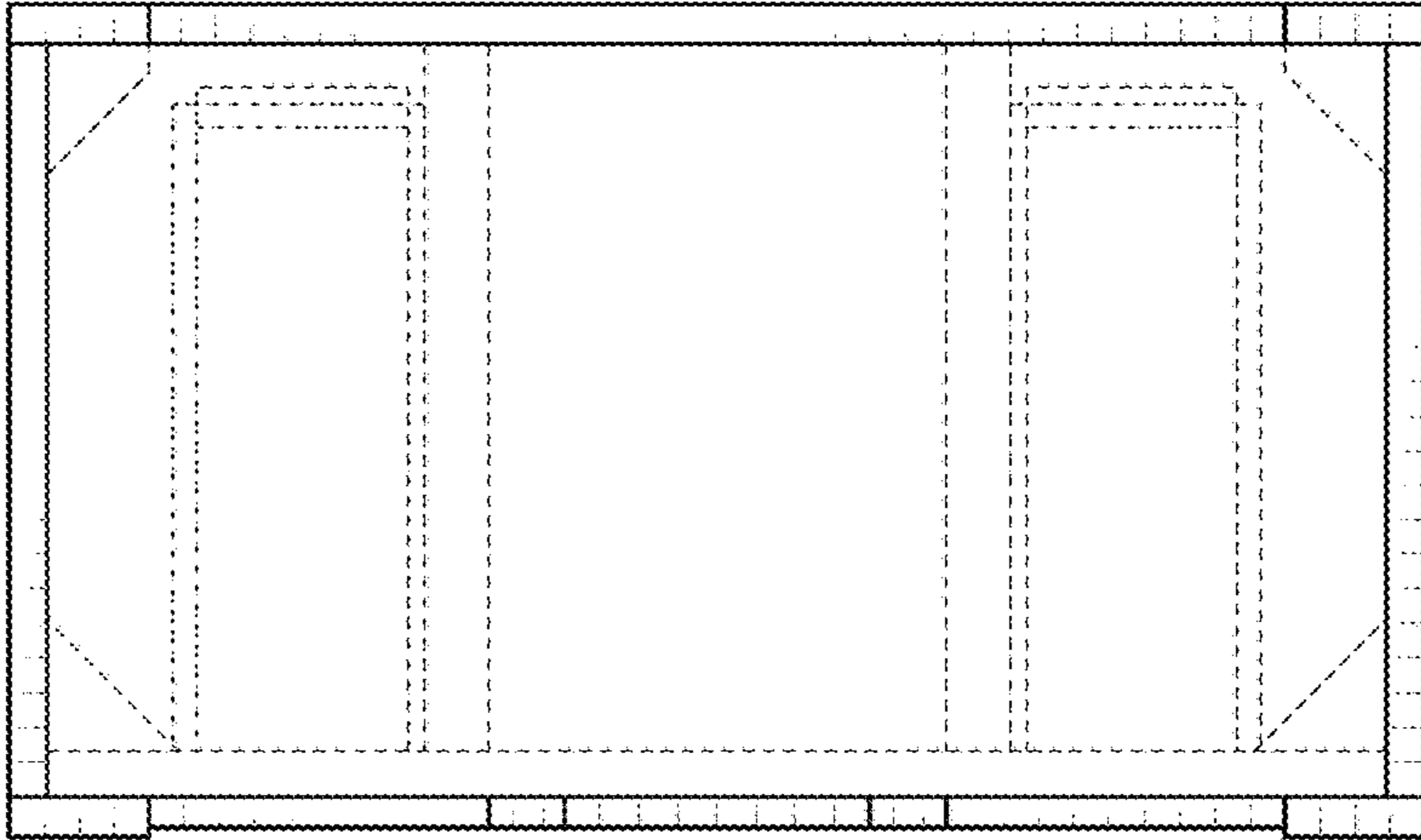


FIG. 6

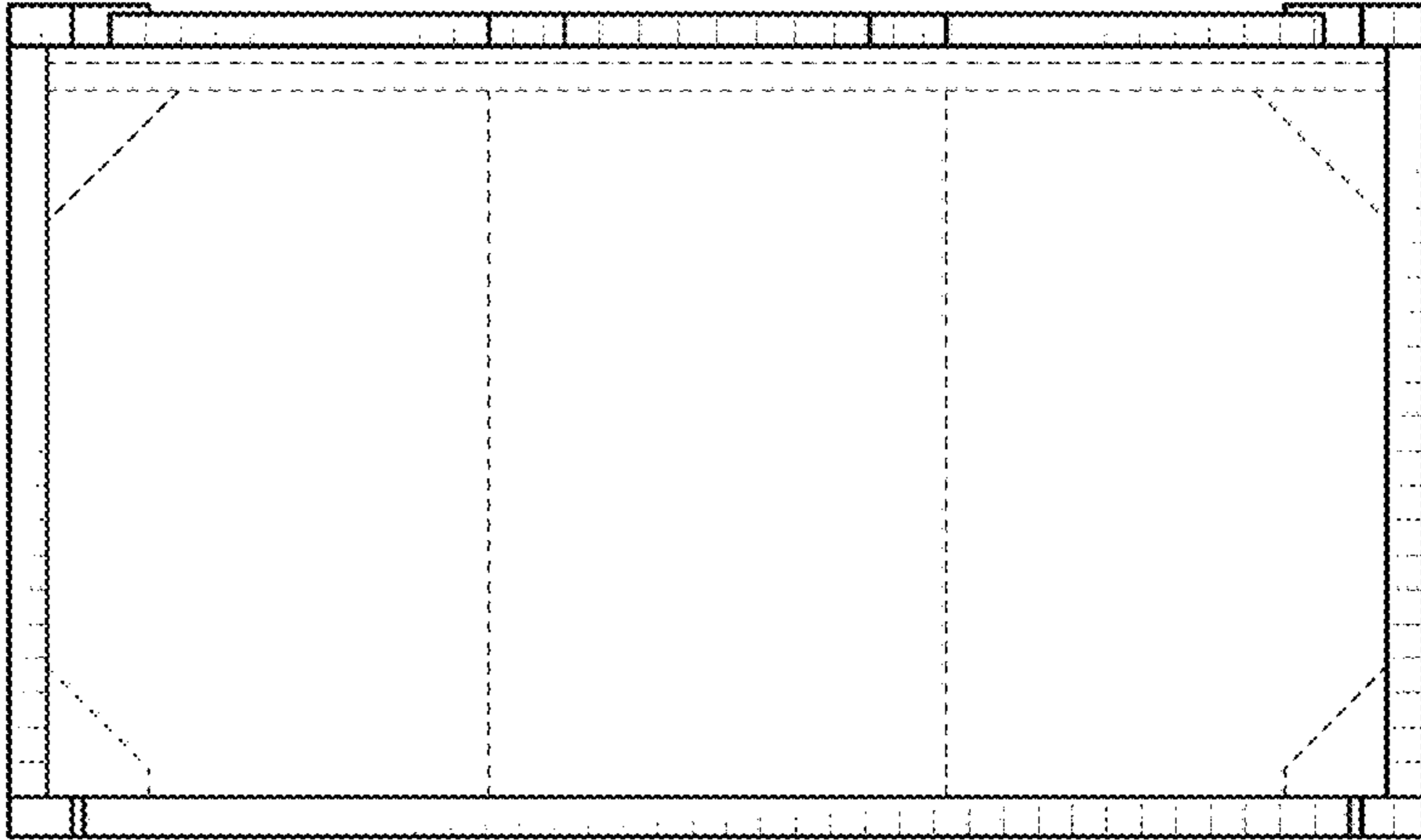


FIG. 7

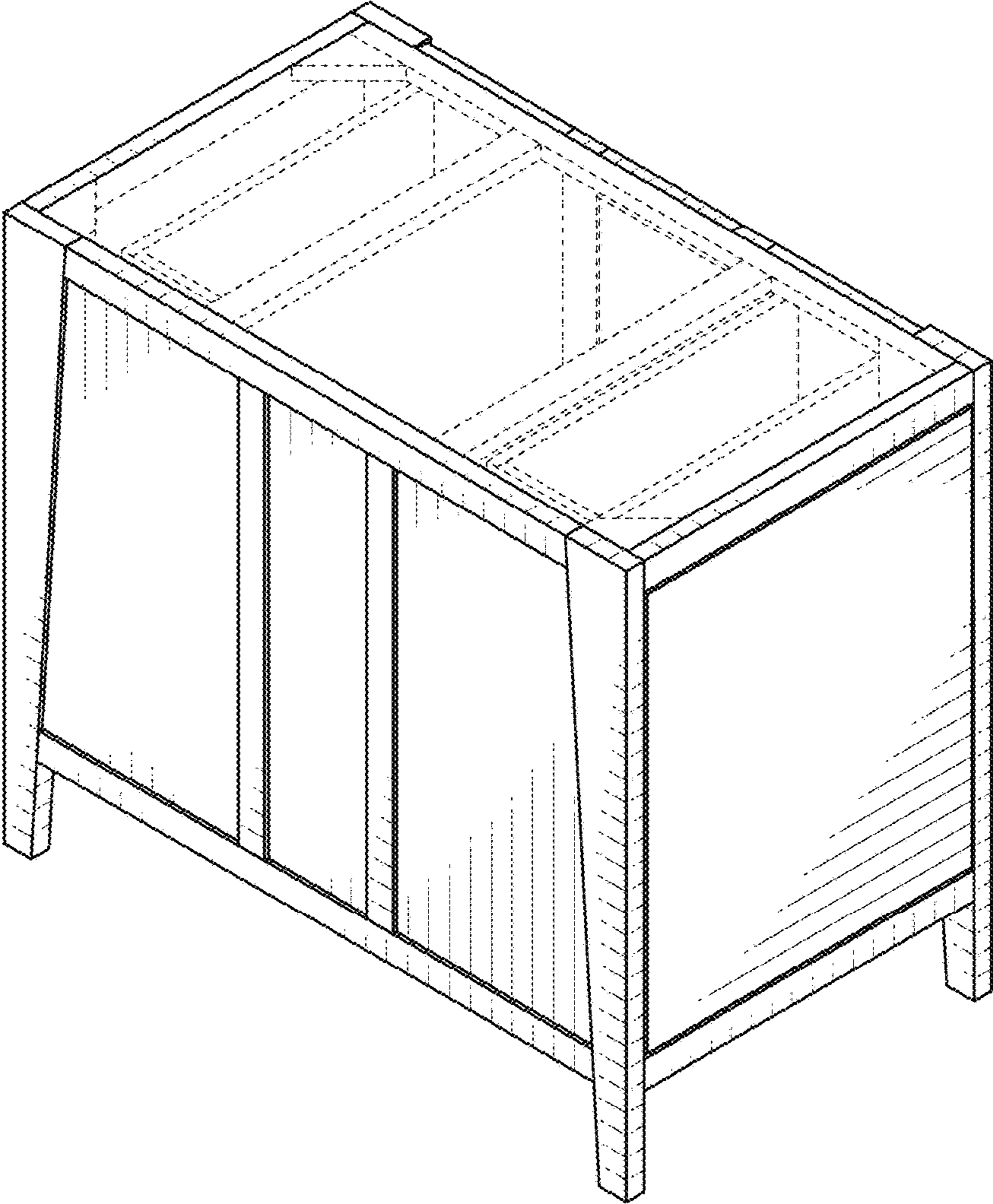


FIG. 8