



US00D863834S

(12) **United States Design Patent**
Siebert

(10) **Patent No.:** **US D863,834 S**

(45) **Date of Patent:** **** Oct. 22, 2019**

(54) **MEETING TABLE**

(71) Applicant: **Brunswick Corporation**, Lake Forest, IL (US)

(72) Inventor: **Paul Brian Siebert**, Chicago, IL (US)

(73) Assignee: **Life Fitness, LLC**, Rosemont, IL (US)

(**) Term: **15 Years**

(21) Appl. No.: **29/606,894**

(22) Filed: **Jun. 8, 2017**

(51) **LOC (12) Cl.** **06-03**

(52) **U.S. Cl.**
USPC **D6/655**

(58) **Field of Classification Search**
USPC D6/641, 642, 643, 648, 686, 689, 691.2, D6/692, 700, 655, 655.13, 655.14, D6/655.18, 655.2, 655.21, 655.23
CPC .. A47B 7/00; A47B 13/00; A47B 9/14; A47B 2021/0335; A47B 21/045; A47B 3/00; A47B 5/00; A47B 5/02; A47B 5/06
See application file for complete search history.

(56) **References Cited**

U.S. PATENT DOCUMENTS

D172,870 S *	8/1954	Eppenstein	D6/675
D236,926 S *	9/1975	Alexander	D6/691.5
4,724,773 A *	2/1988	Newberry	A47B 91/08
				108/150
4,878,439 A *	11/1989	Samson	A47B 1/08
				108/83
D312,177 S *	11/1990	Walter	D6/332

D415,369 S *	10/1999	Laney	D6/686
D447,893 S *	9/2001	Simonelli	D26/58
D448,951 S *	10/2001	O'Hare	D6/691.5
D457,759 S *	5/2002	O'Hare	D6/692
D486,327 S *	2/2004	Schmitt	D6/688.14
D561,497 S *	2/2008	Alter Molina	D6/692.3
D655,109 S *	3/2012	Stoepker	D6/695.2
8,161,892 B2 *	4/2012	Palese	A47B 37/04
				108/50.01
D799,868 S *	10/2017	Schmitt	D6/697
10,045,611 B1 *	8/2018	Siebert	A47B 13/081
D843,759 S *	3/2019	Siebert	D6/697.1

* cited by examiner

Primary Examiner — Mary Ann Calabrese

(74) *Attorney, Agent, or Firm* — Andrus Intellectual Property Law, LLP

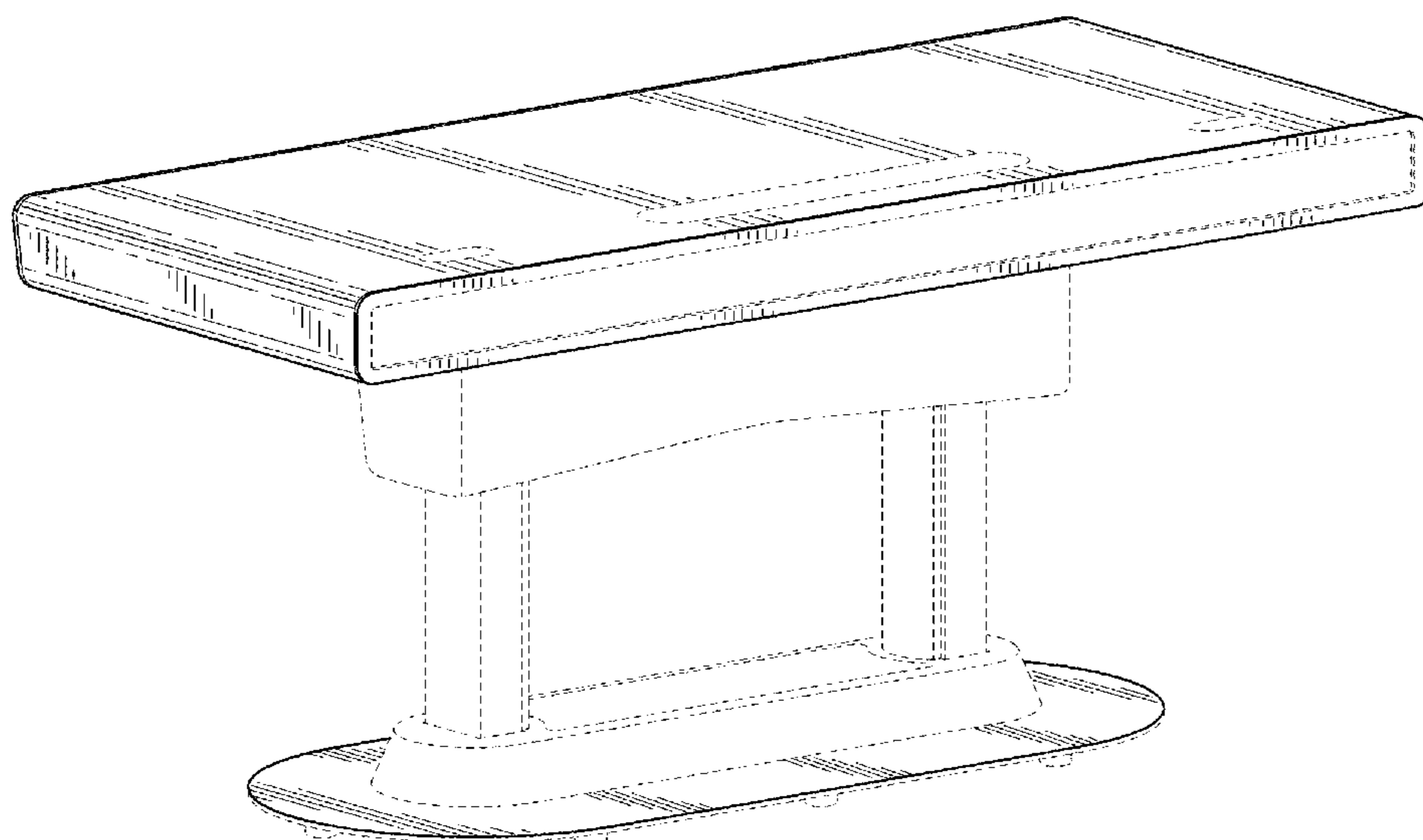
(57) **CLAIM**

The ornamental design for a meeting table, as shown and described.

DESCRIPTION

FIG. 1 is a perspective view of a meeting table.
 FIG. 2 is a top view thereof.
 FIG. 3 is a bottom view thereof.
 FIG. 4 is a side view thereof.
 FIG. 5 is an opposite side view thereof.
 FIG. 6 is an end view thereof.
 FIG. 7 is an opposite end view thereof; and,
 FIG. 8 is a perspective view of a second embodiment of a meeting table.
 The broken lines represent portions of the meeting table that form no part of the claimed design.

1 Claim, 7 Drawing Sheets



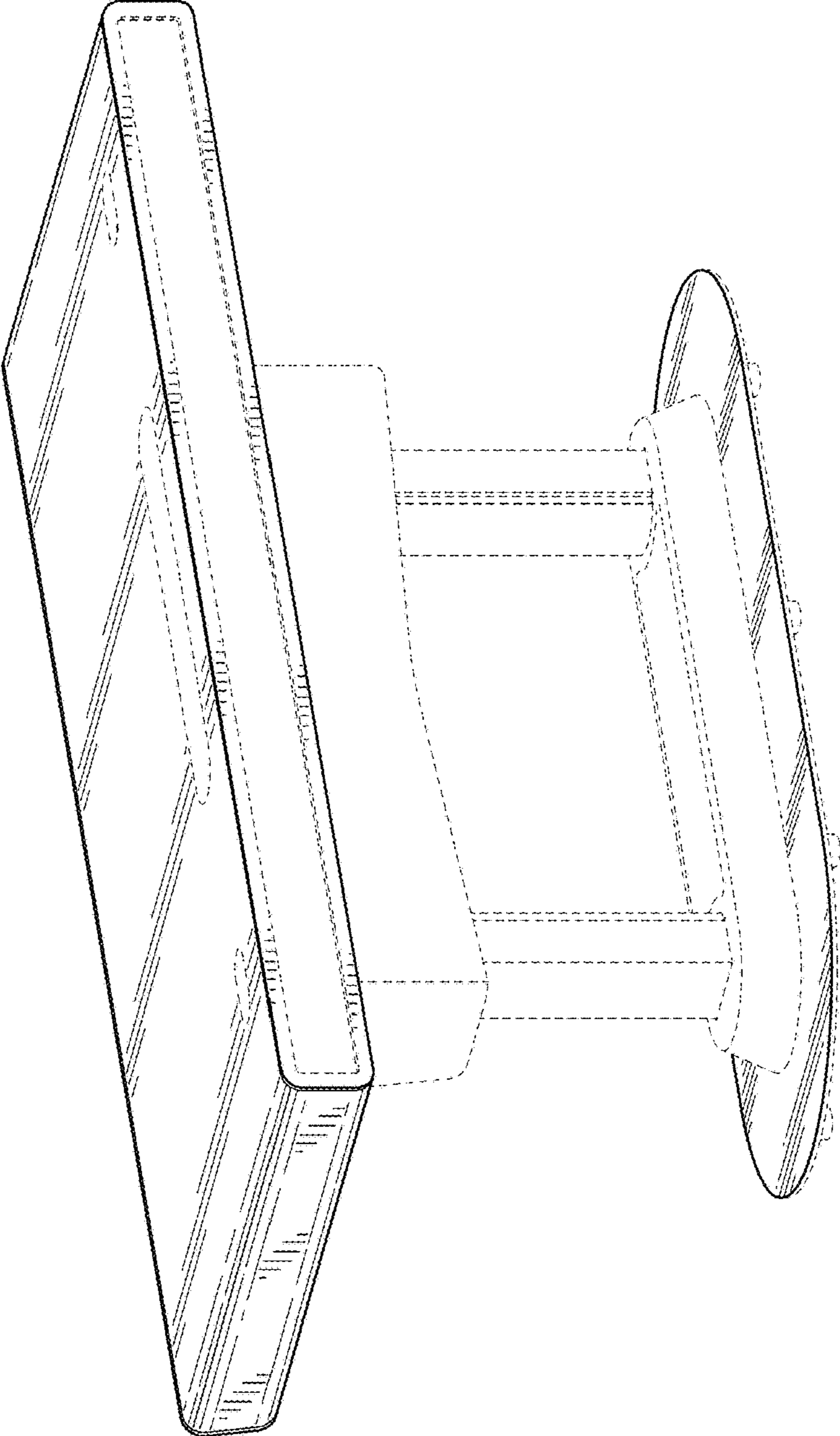


FIG. 1

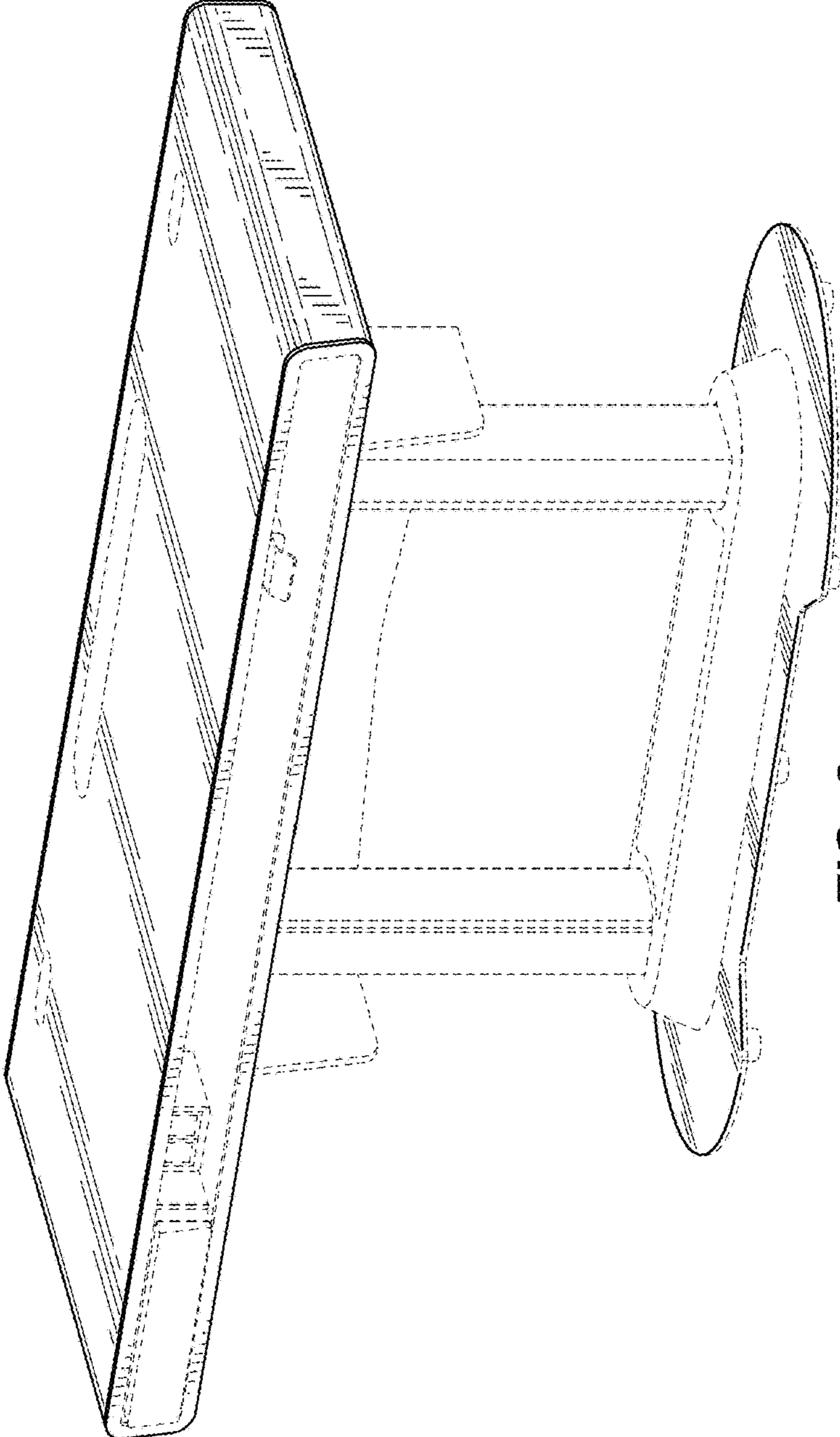


FIG. 2

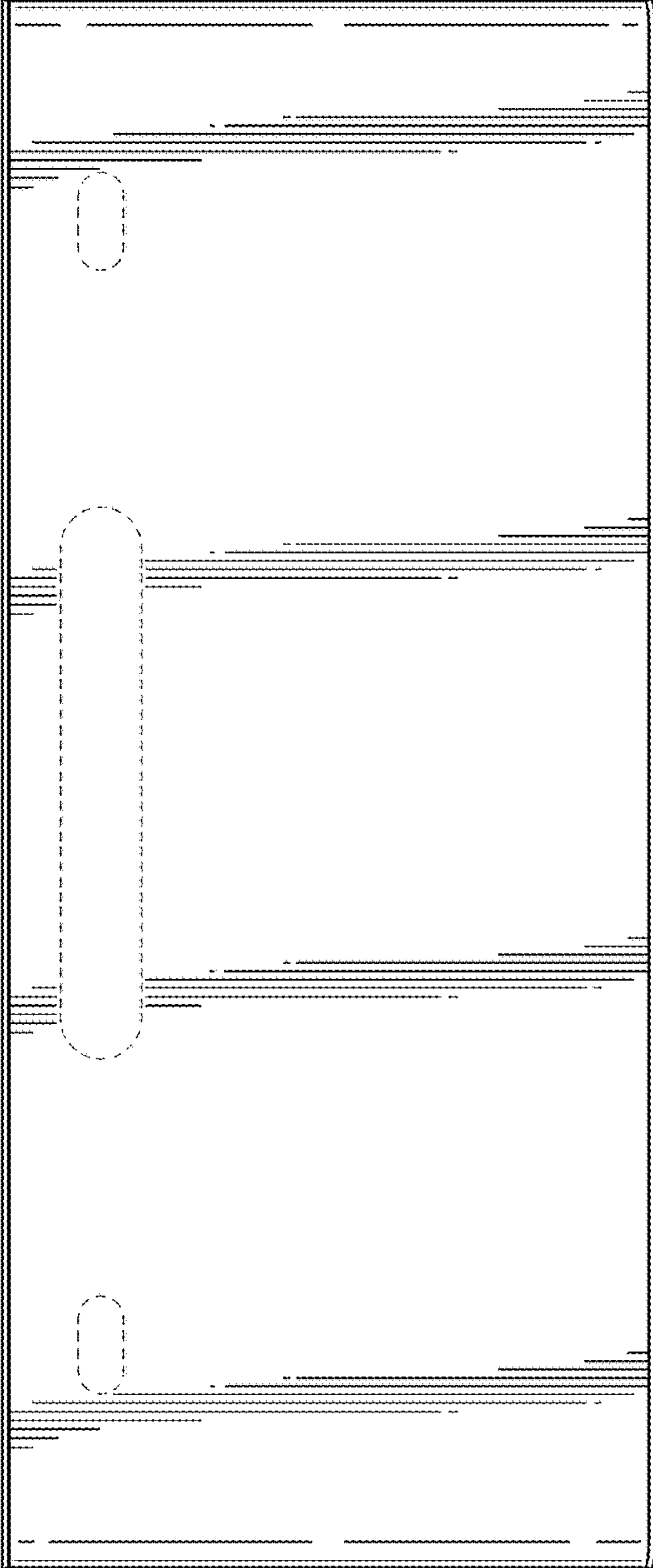


FIG. 3

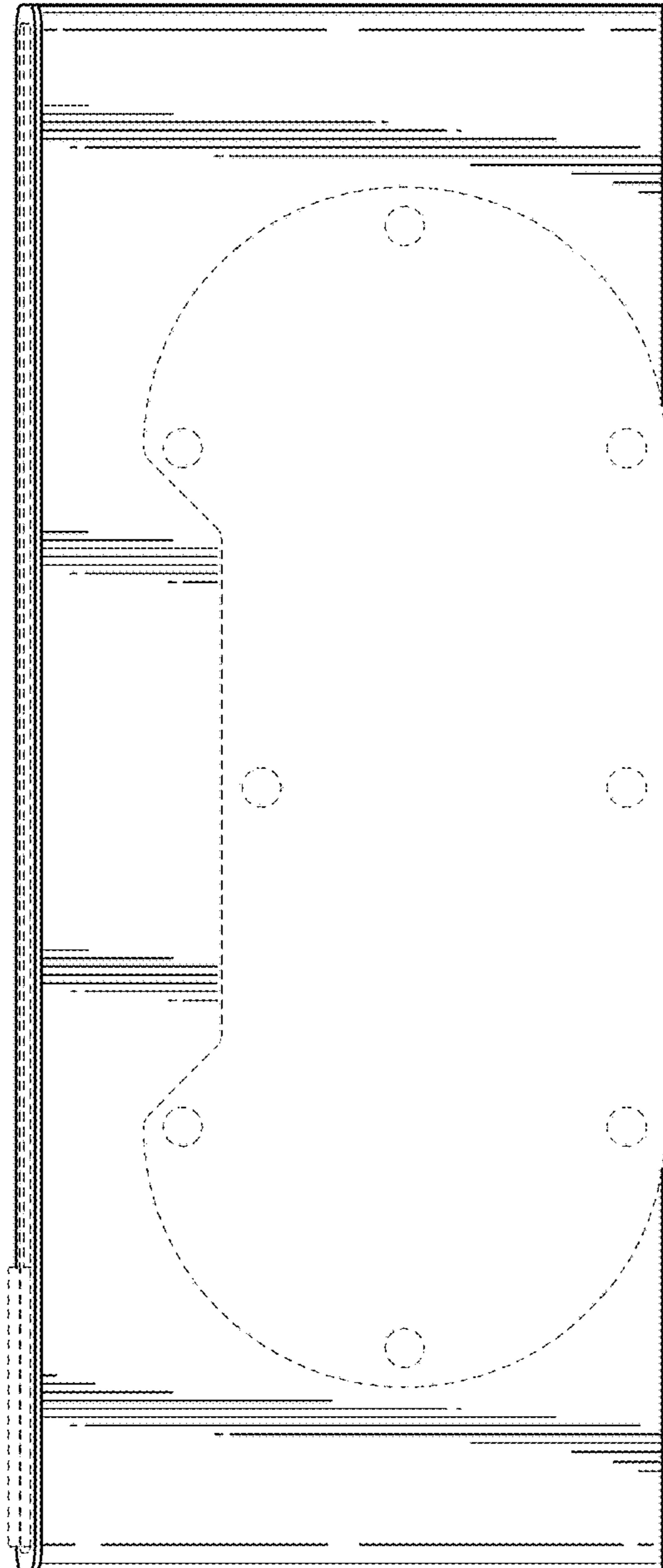


FIG. 4

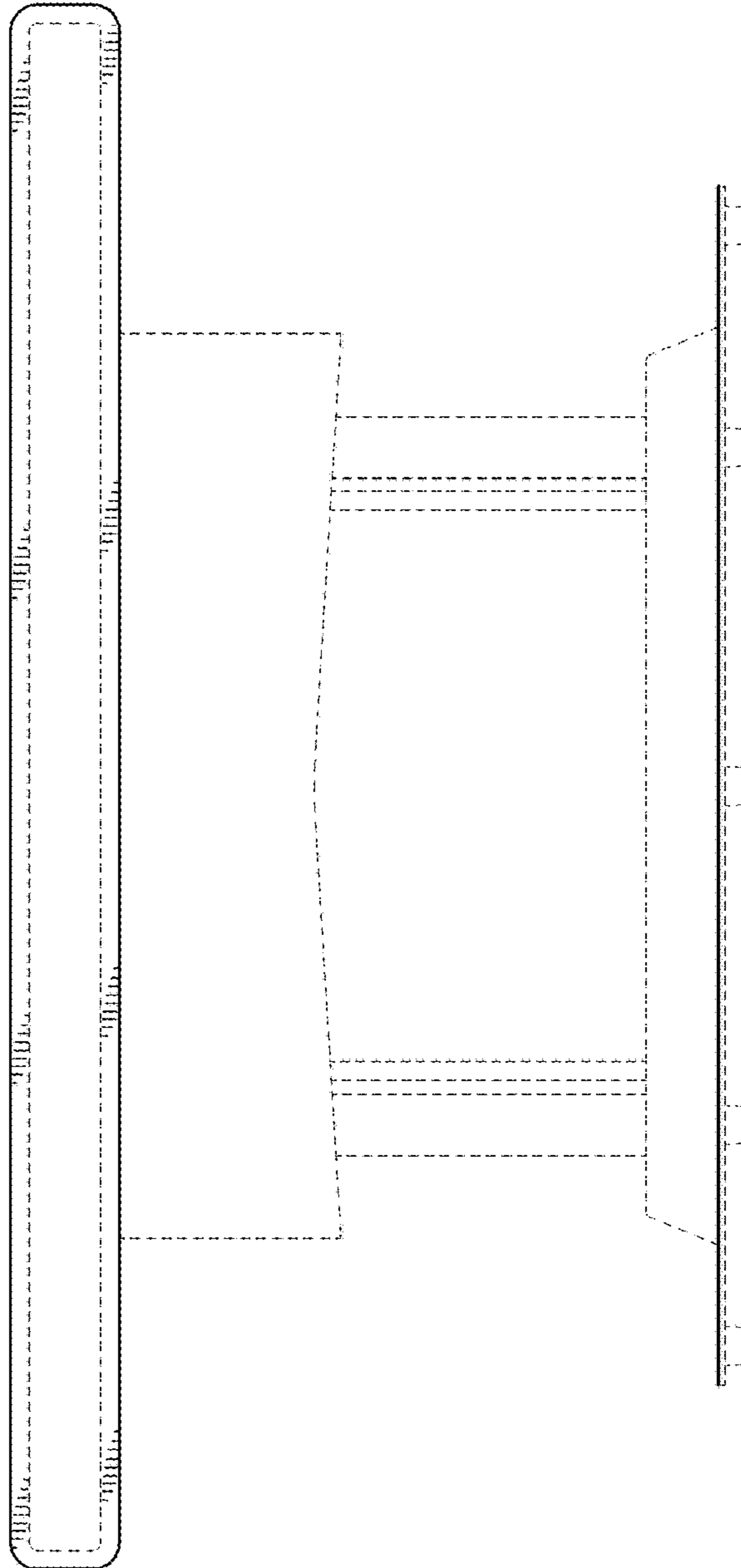


FIG. 5

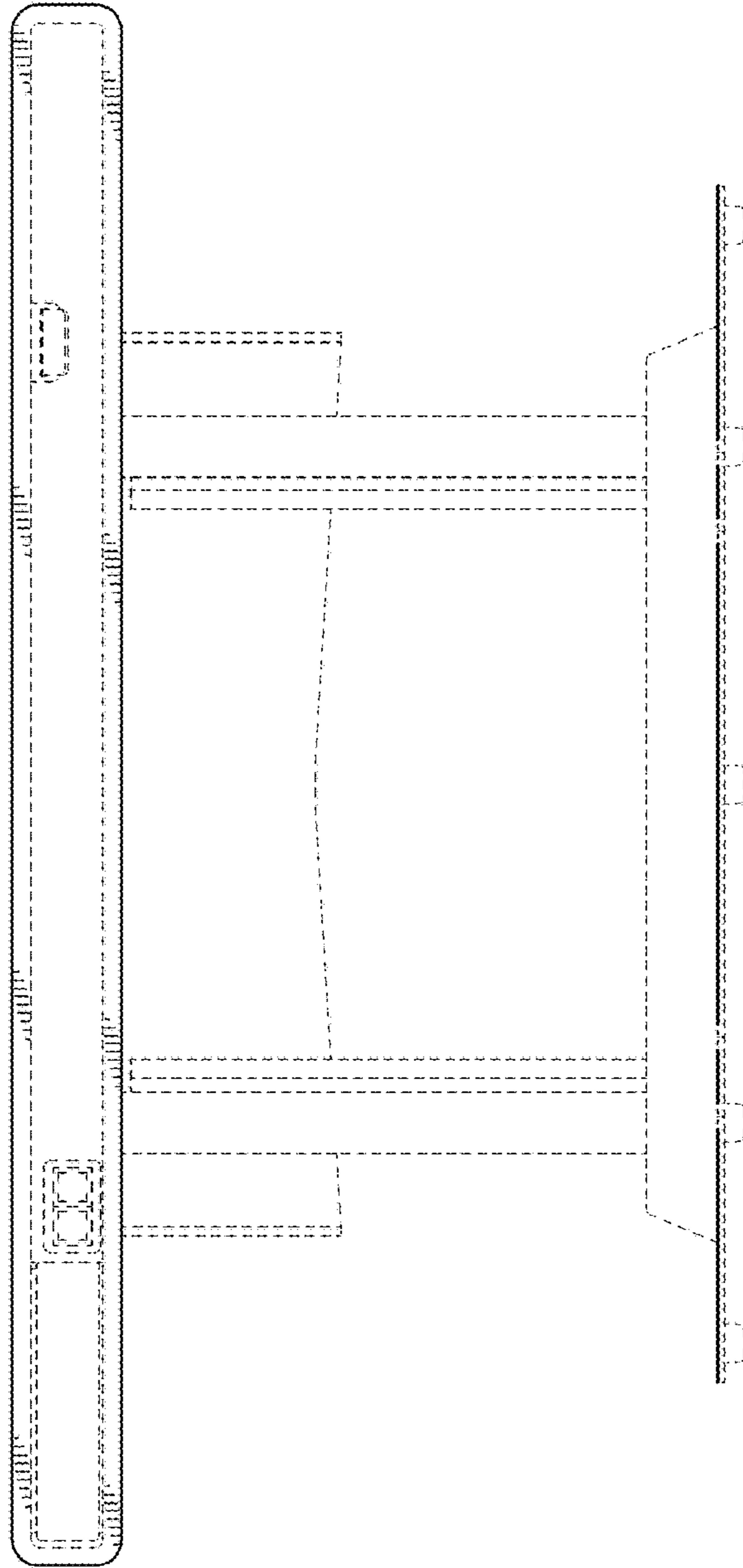


FIG. 6

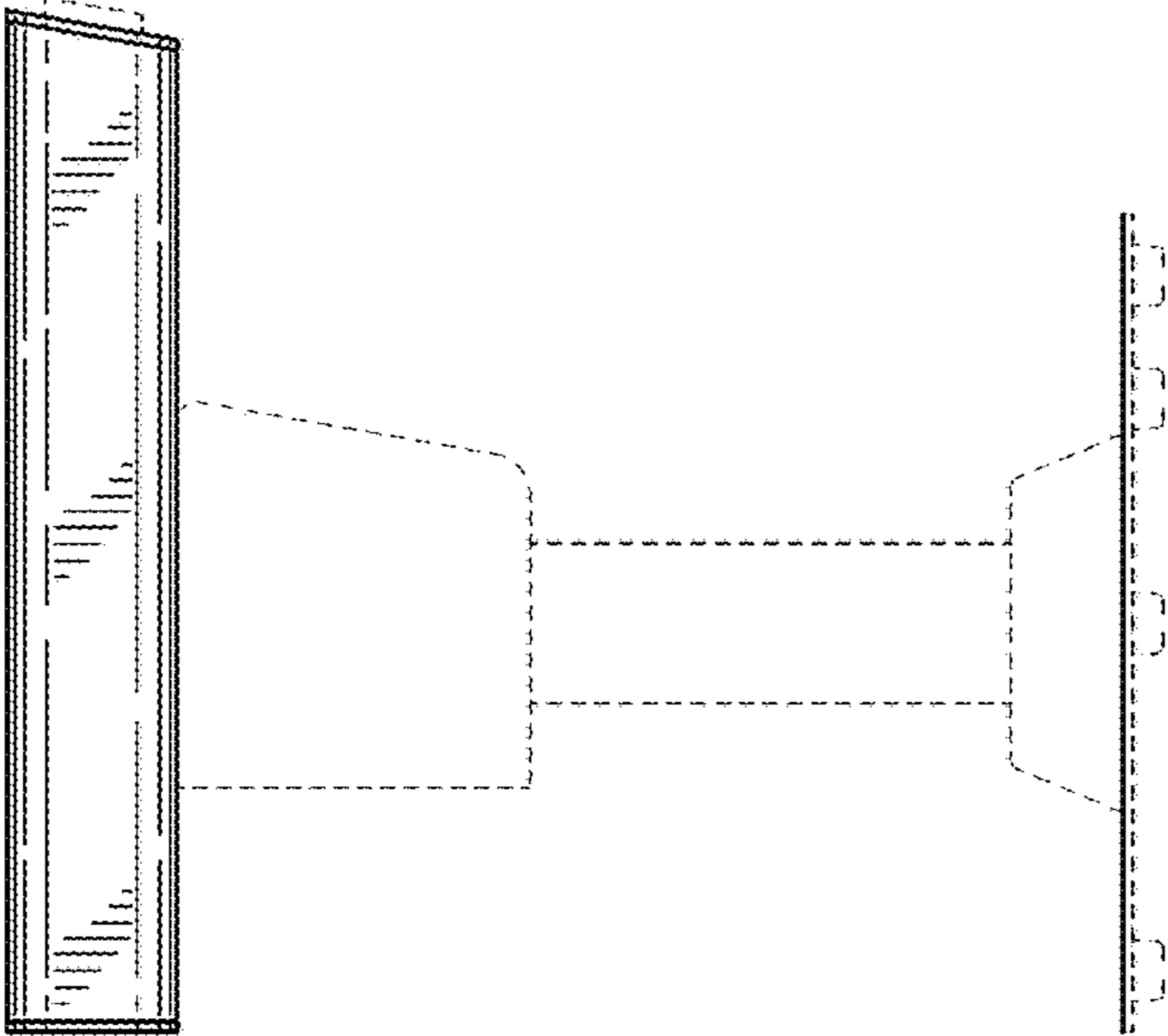


FIG. 8

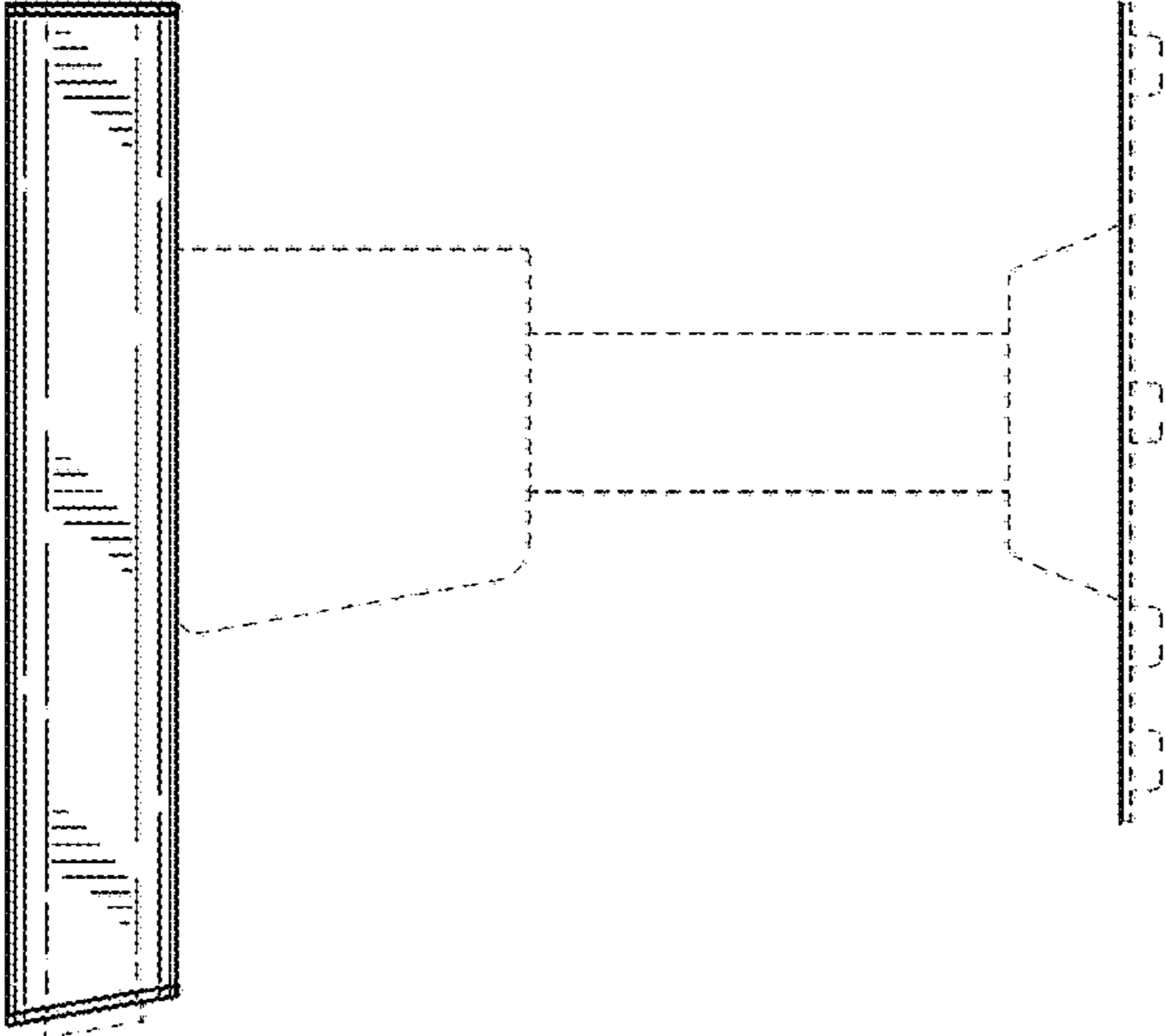


FIG. 7