



US00D863831S

(12) **United States Design Patent**
Citterio

(10) **Patent No.:** **US D863,831 S**
(45) **Date of Patent:** **** Oct. 22, 2019**

(54) **RECONFIGURABLE TABLE**
(71) Applicant: **VITRA PATENTE AG**, Birsfelden
(CH)
(72) Inventor: **Antonio Citterio**, Milan (IT)
(73) Assignee: **Vitra Patente AG** (CH)
(**) Term: **15 Years**

6,283,043 B1 9/2001 Stern et al.
6,564,723 B2 5/2003 Shapton
D584,539 S * 1/2009 High D6/655.18
D596,876 S 7/2009 Oshinomi et al.
7,735,433 B1 6/2010 Albright et al.
D642,827 S 8/2011 Poost et al.
D649,811 S * 12/2011 Martin D6/644
D719,379 S 12/2014 Tsuchiyama
D745,294 S 12/2015 Murray et al.
D776,961 S 1/2017 Yamamoto

(Continued)

(21) Appl. No.: **29/688,987**
(22) Filed: **Apr. 25, 2019**

Related U.S. Application Data

(62) Division of application No. 29/585,683, filed on Nov. 28, 2016.
(51) **LOC (12) Cl.** **06-03**
(52) **U.S. Cl.**
USPC **D6/643**
(58) **Field of Classification Search**
USPC D6/641, 642, 643, 648, 686, 689, 691.2,
D6/692, 700
CPC A47B 9/00; A47B 9/20; A47B 7/00
See application file for complete search history.

(56) **References Cited**

U.S. PATENT DOCUMENTS

D172,098 S 5/1954 Knoll
4,604,955 A * 8/1986 Fleischer A47B 9/04
108/106
D299,798 S 2/1989 Sottsas et al.
5,259,326 A * 11/1993 Borgman A47B 9/00
108/147
5,311,826 A 5/1994 Baggiani
5,544,593 A 8/1996 Canfield et al.
5,588,376 A * 12/1996 Seidl A47B 17/033
108/106
5,901,513 A * 5/1999 Mollenkopf A47B 21/06
108/182

OTHER PUBLICATIONS

“Tyde”. Found online Nov. 2, 2018 at Vitra.com. Product dated 2012. Retrieved from <https://www.vitra.com/en-gb/product/tyde>.

(Continued)

Primary Examiner — Kendra Leslie Hamilton
(74) *Attorney, Agent, or Firm* — Eric L. Sophir; Dentons US LLP

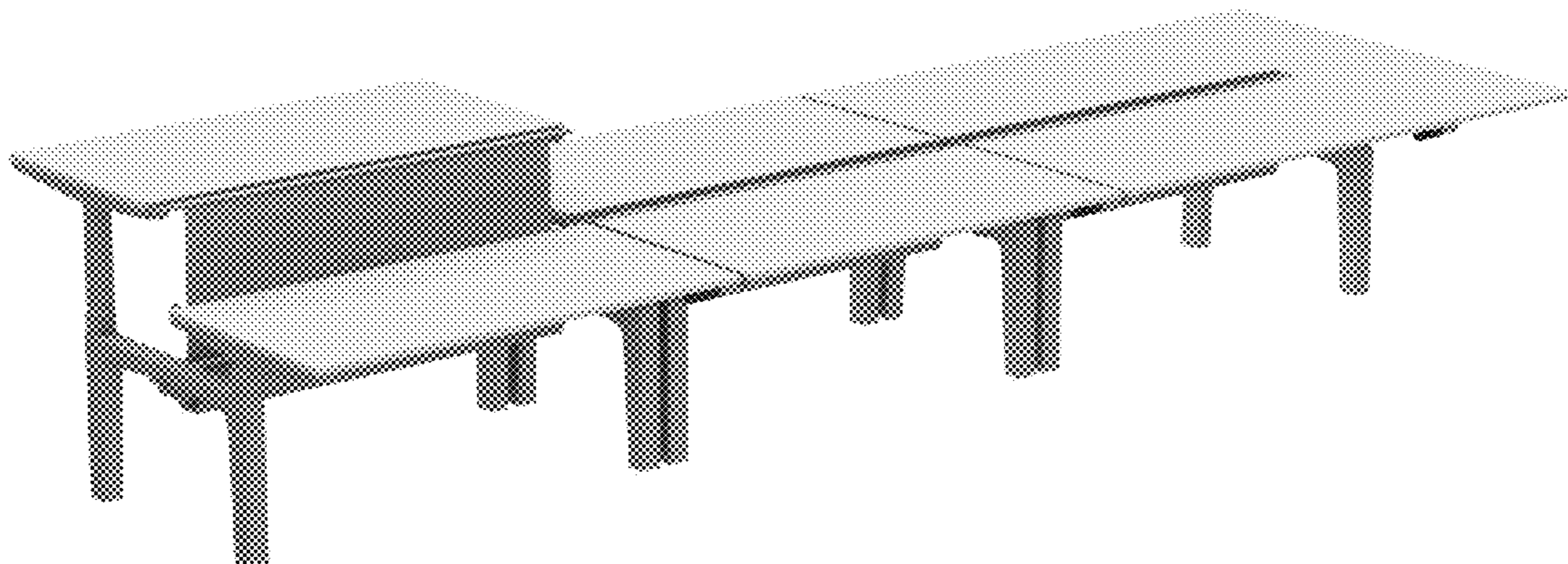
(57) **CLAIM**

The ornamental design for a reconfigurable table, as shown and described.

DESCRIPTION

FIG. 1 is a top, front, left perspective view of a reconfigurable table, showing my new design;
FIG. 2 is a top, front perspective view thereof;
FIG. 3 is a top, left perspective view of the reconfigurable table of FIG. 1, shown enlarged for clarity of disclosure;
FIG. 4 is a top, rear perspective view of the reconfigurable table of FIG. 1;
FIG. 5 is a top, right perspective view of the reconfigurable table of FIG. 1, shown enlarged for clarity of disclosure; and,
FIG. 6 is a top plan view of the reconfigurable table of FIG. 1.

1 Claim, 6 Drawing Sheets



(56)

References Cited

U.S. PATENT DOCUMENTS

D803,601 S * 11/2017 Schalk D6/643.1
D843,136 S * 3/2019 Ezure D6/643
2006/0096506 A1* 5/2006 Brauning A47B 13/02
108/50.02
2010/0326329 A1 12/2010 Kiekhaefer
2016/0113391 A1* 4/2016 Wang A47B 9/20
248/605
2018/0132608 A1* 5/2018 Benden A47B 9/04
2018/0295982 A1* 10/2018 Yamamoto A47B 9/00
2019/0082823 A1* 3/2019 Applegate A47B 3/08

OTHER PUBLICATIONS

“Ronan + erwan bouroullec: tyde adjustable tables for vitra” Found online Nov. 9, 2018 at designboom.com. Pate dated Aug. 16, 2013. Retrieved from <https://www.designboom.com/design/ronan-erwan-bouroullec-tyde-adjustable-tables-for-vitra/> (Year: 2013).
“Animate Spec Guides”. Found online Nov. 2, 2018 at JR BRStudio.com. Page dated Feb. 2016. Retrieved from http://www.jrbstudio.com/docs/default-source/resource-documents/jrb_animatespecguide_feb2013.pdf?sfvrsn=8 (Year: 2016).

* cited by examiner

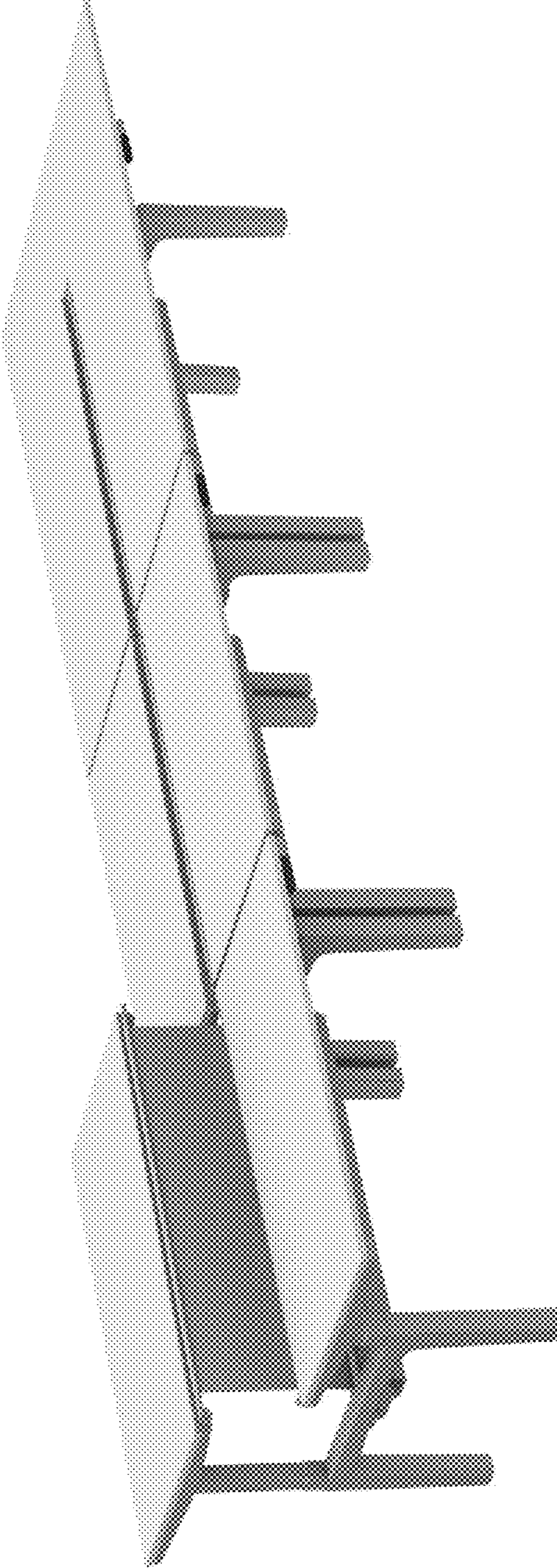


Fig. 1

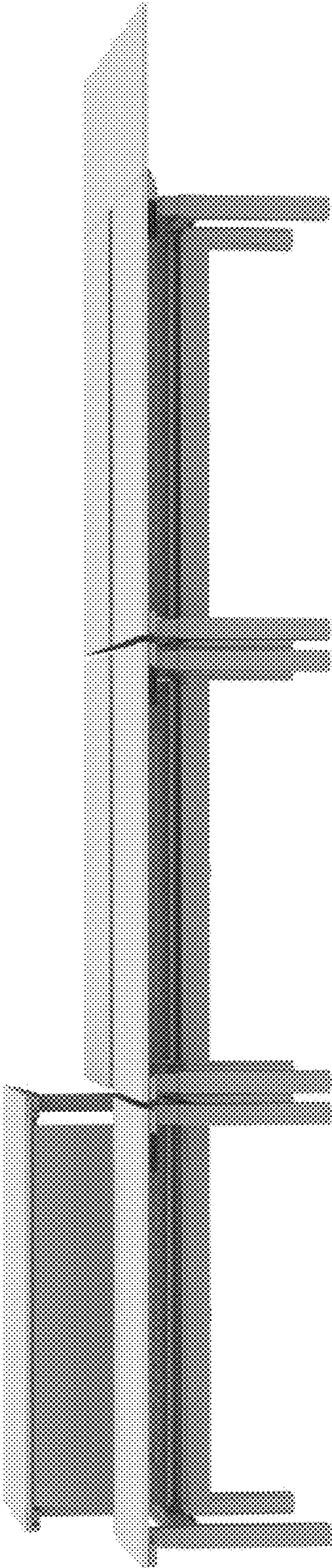


Fig. 2

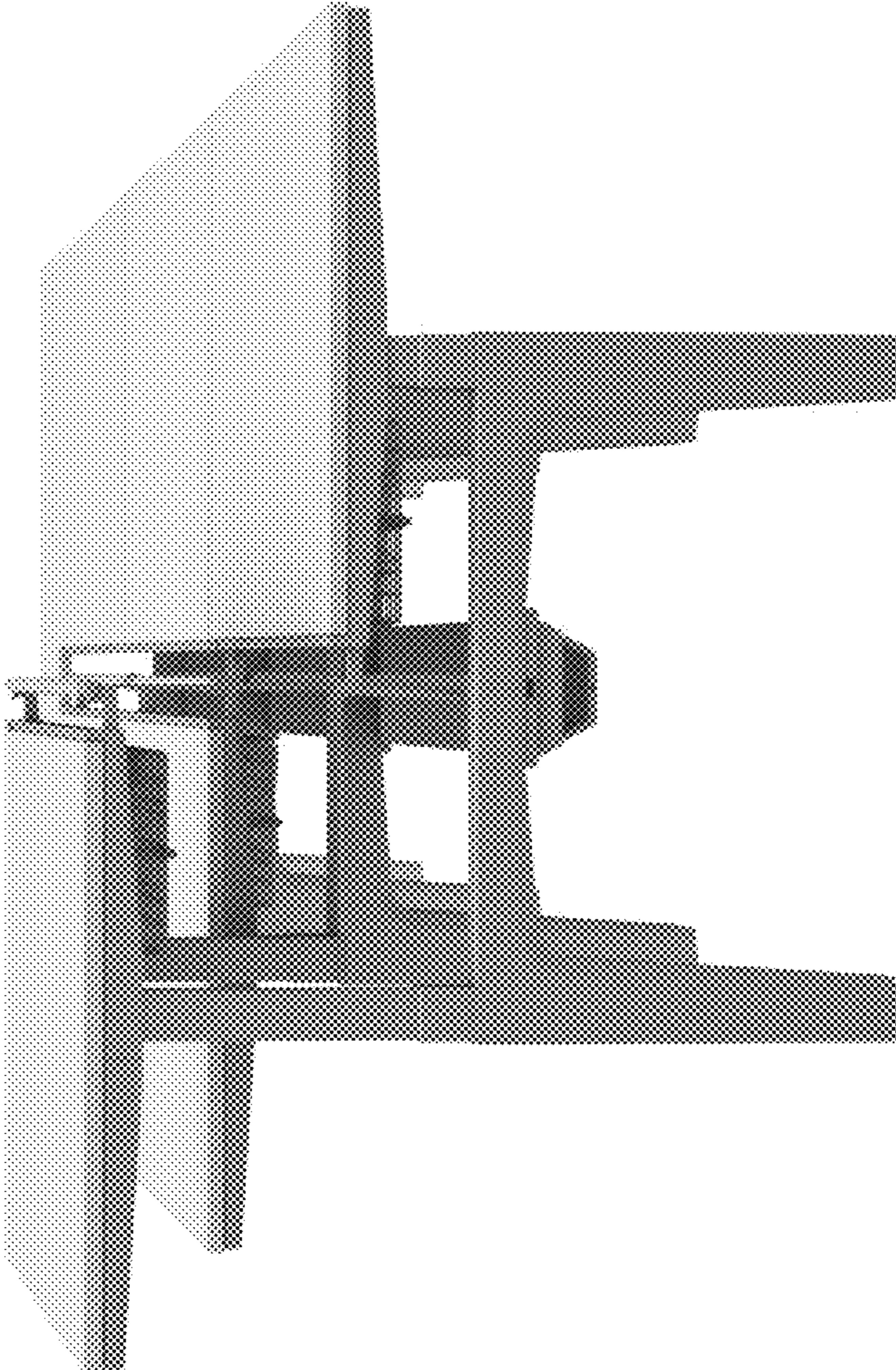


Fig. 3

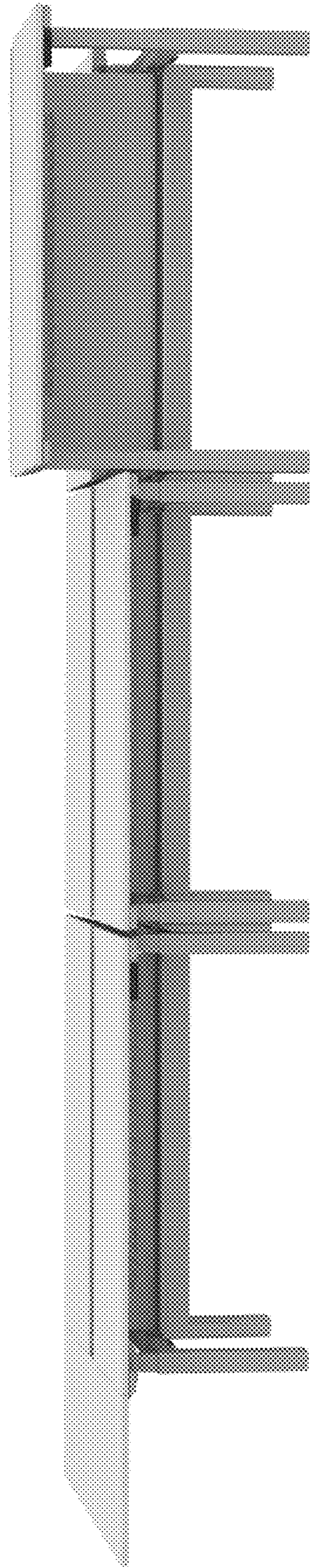


Fig. 4

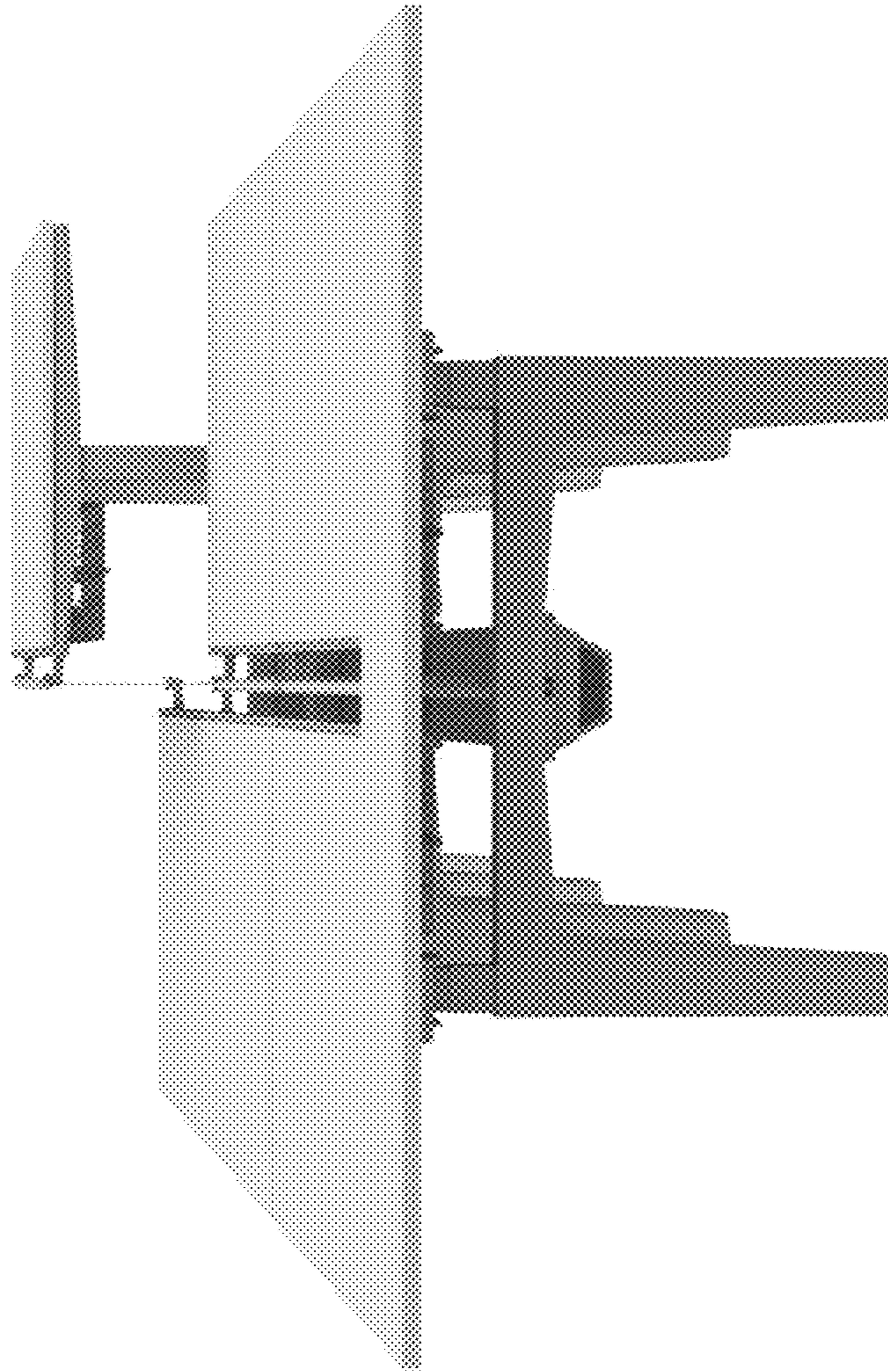


Fig. 5

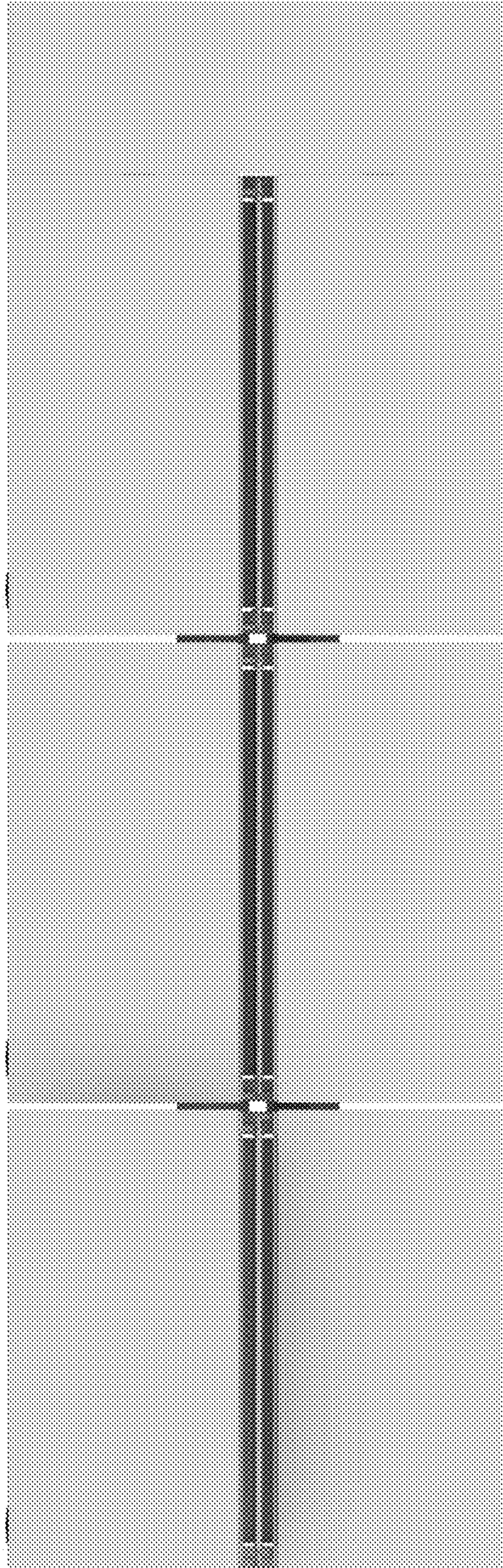


Fig. 6