



US00D863825S

(12) **United States Design Patent**  
**Xu**

(10) **Patent No.:** **US D863,825 S**  
(45) **Date of Patent:** **\*\* Oct. 22, 2019**

(54) **CUP HOLDER PILLOW**

(71) Applicant: **Xiaoyan Xu**, Jilin (CN)

(72) Inventor: **Xiaoyan Xu**, Jilin (CN)

(\*\*) Term: **15 Years**

(21) Appl. No.: **29/633,513**

(22) Filed: **Jan. 15, 2018**

(51) **LOC (12) Cl.** ..... **06-09**

(52) **U.S. Cl.**  
USPC ..... **D6/601**

(58) **Field of Classification Search**  
USPC ..... D6/595-597, 582, 601, 603, 604, 606  
CPC . A47G 9/00; A47G 9/06; A47G 9/062; A47G  
9/083; A47G 9/086; A47G 9/10; A47G  
9/1027; A47G 9/1054; A47G 9/1063;  
A47G 9/1072; A47G 2009/1018; A47C  
17/64; A47C 21/026

See application file for complete search history.

(56) **References Cited**

**U.S. PATENT DOCUMENTS**

3,851,347 A \* 12/1974 Ashley ..... A47C 27/144  
297/DIG. 1  
4,752,064 A \* 6/1988 Voss ..... A61G 13/12  
5/622

5,275,779 A \* 1/1994 Marfilus ..... B60N 3/10  
264/46.6  
D403,194 S \* 12/1998 Thurston ..... D6/604  
D843,135 S \* 3/2019 Zanki ..... D6/601  
D843,755 S \* 3/2019 Berry, Jr. .... D6/604

**FOREIGN PATENT DOCUMENTS**

WO WO-2016133572 A1 \* 8/2016 ..... B60N 3/002

\* cited by examiner

*Primary Examiner* — R. Johnson

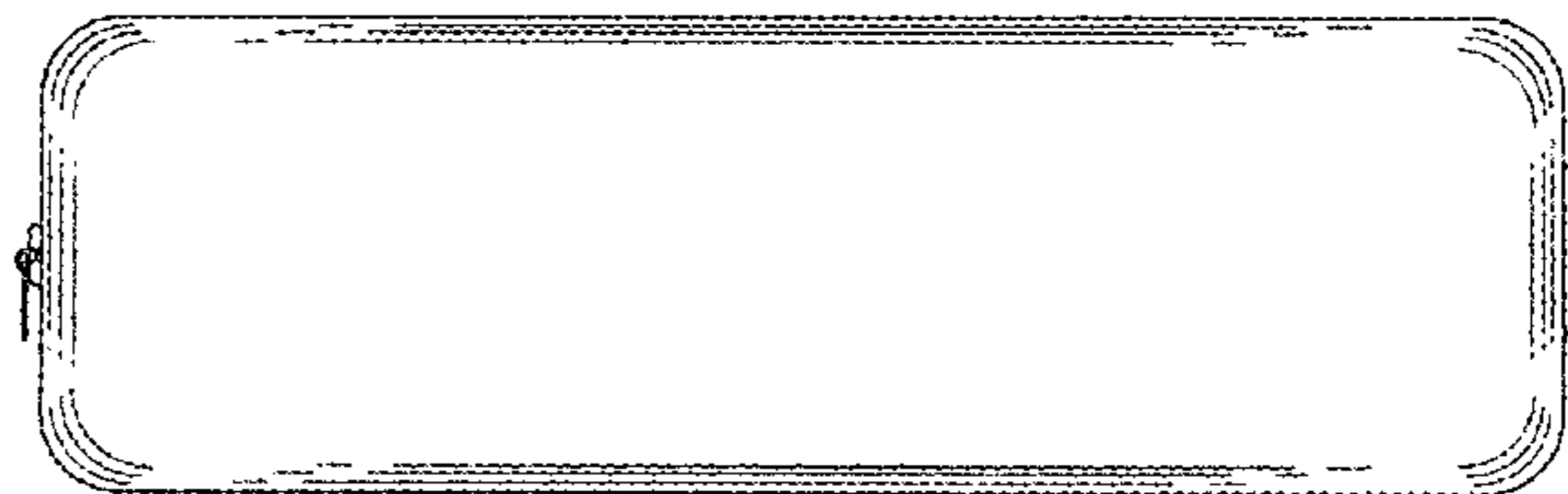
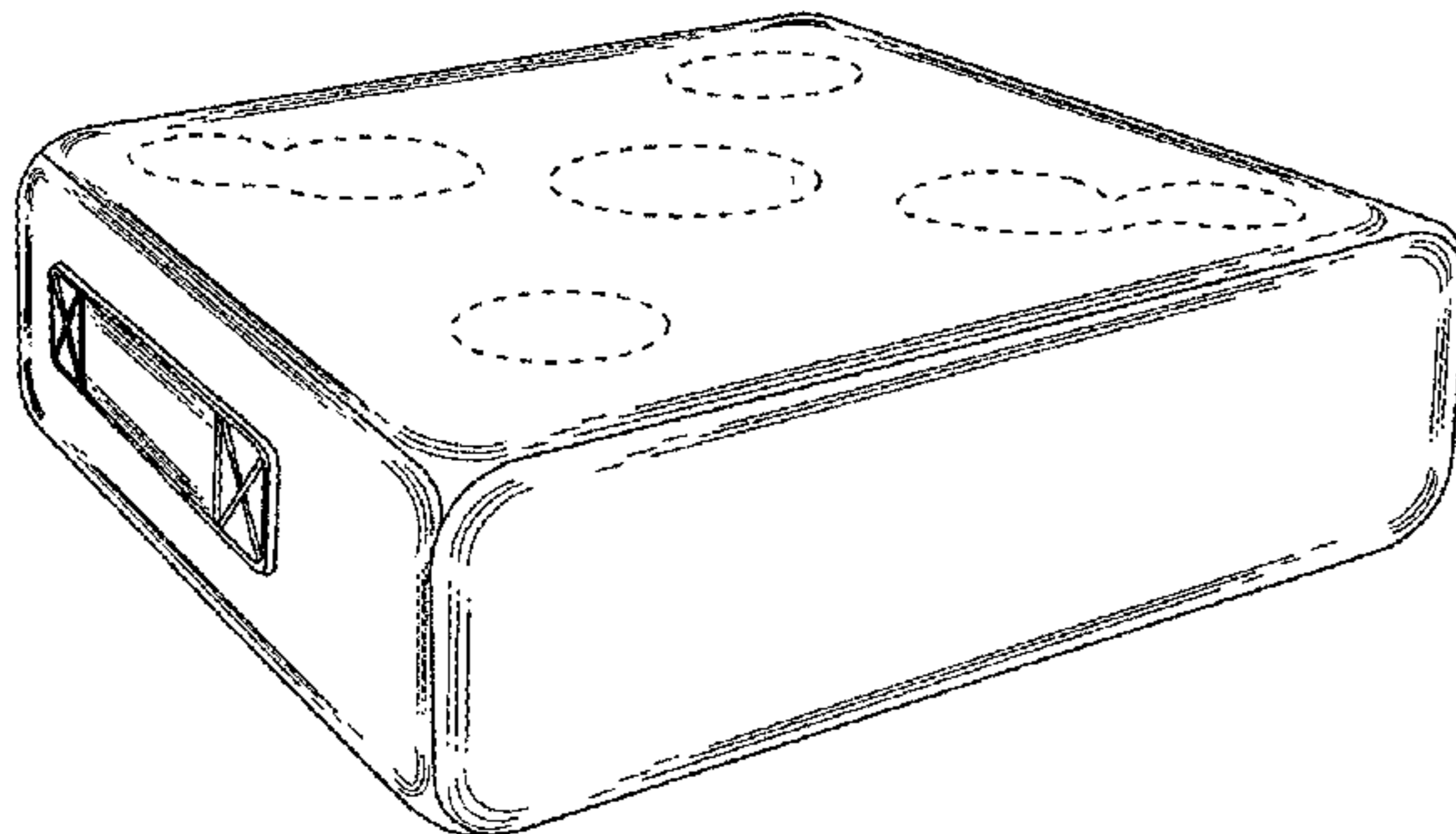
(57) **CLAIM**

The ornamental design for a cup holder pillow, as shown and described.

**DESCRIPTION**

FIG. 1 is a perspective view of a cup holder pillow showing my new design;  
FIG. 2 is a front elevational view thereof;  
FIG. 3 is a rear elevational view thereof;  
FIG. 4 is a left side elevational view thereof;  
FIG. 5 is a right side elevational view thereof;  
FIG. 6 is a top plan view thereof; and,  
FIG. 7 is a bottom plan view thereof.  
The broken lines in the figures depict portions of the article which form no part of the claimed design.

**1 Claim, 7 Drawing Sheets**



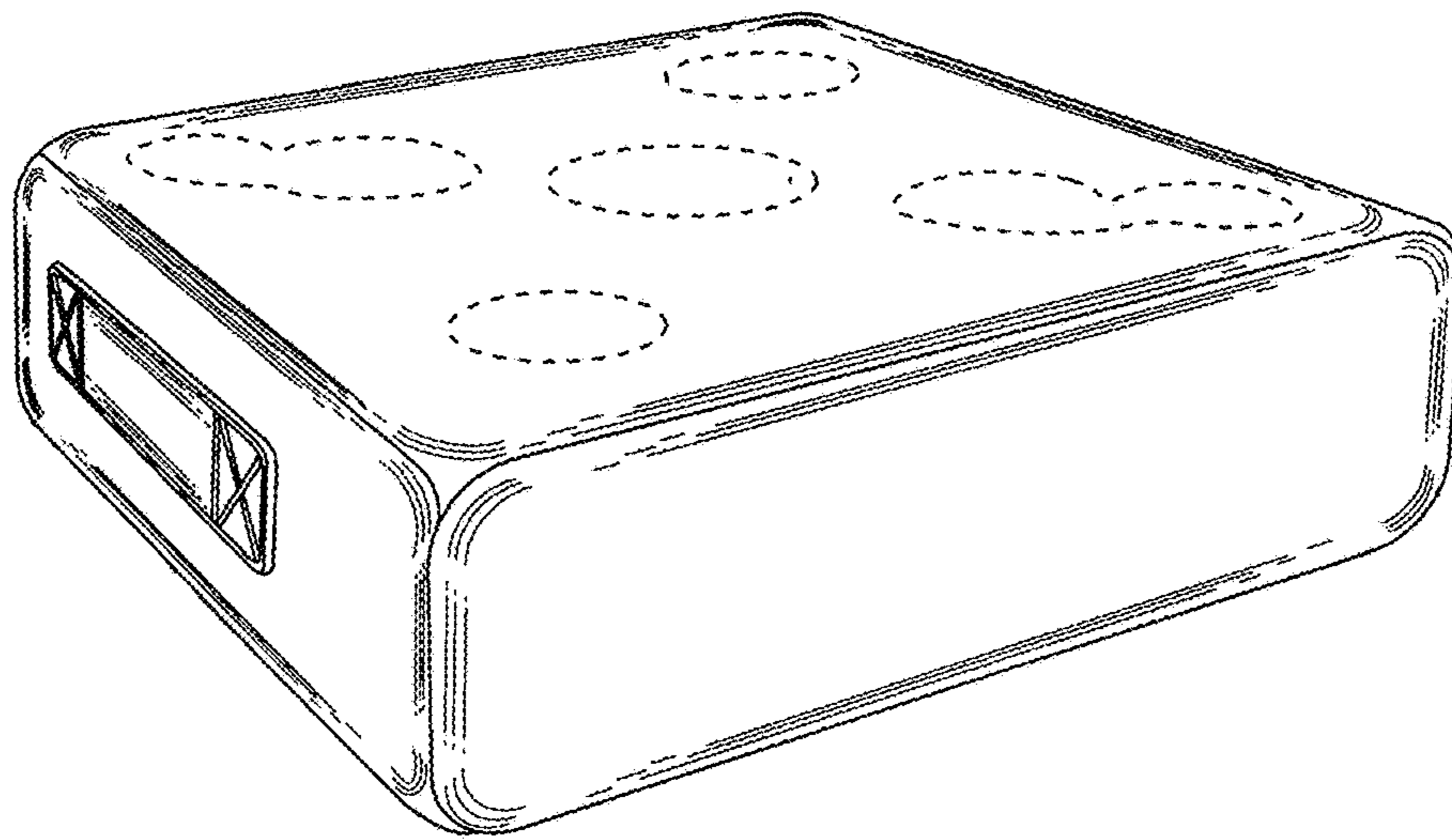


FIG.1

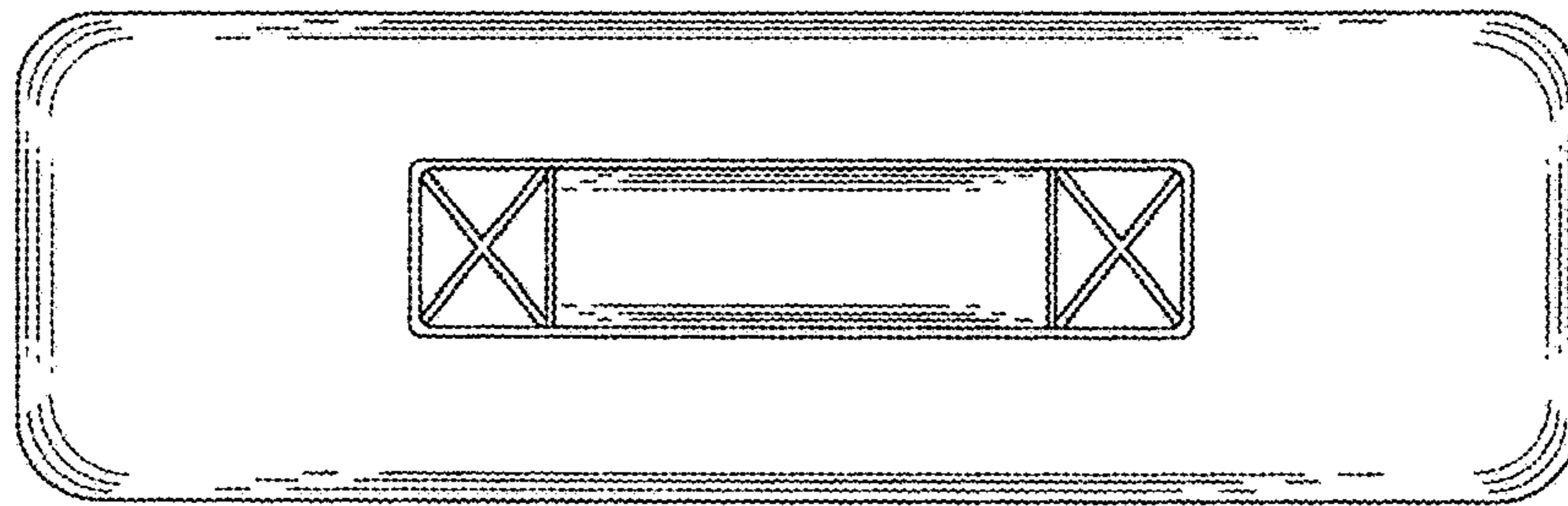


FIG.2

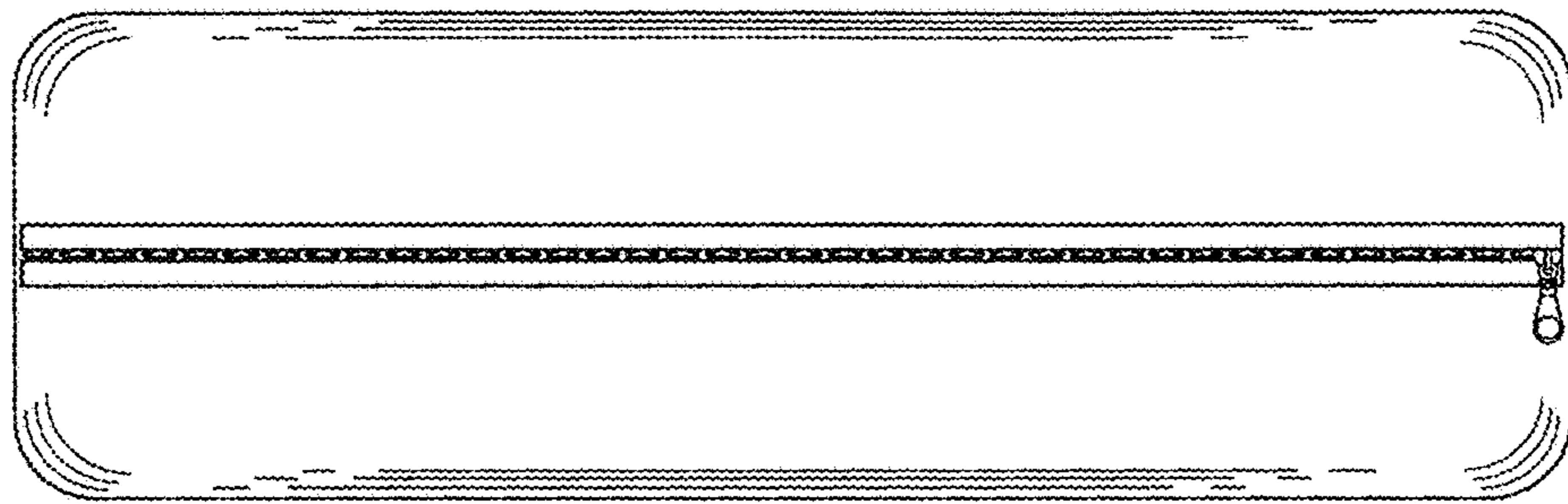


FIG.3

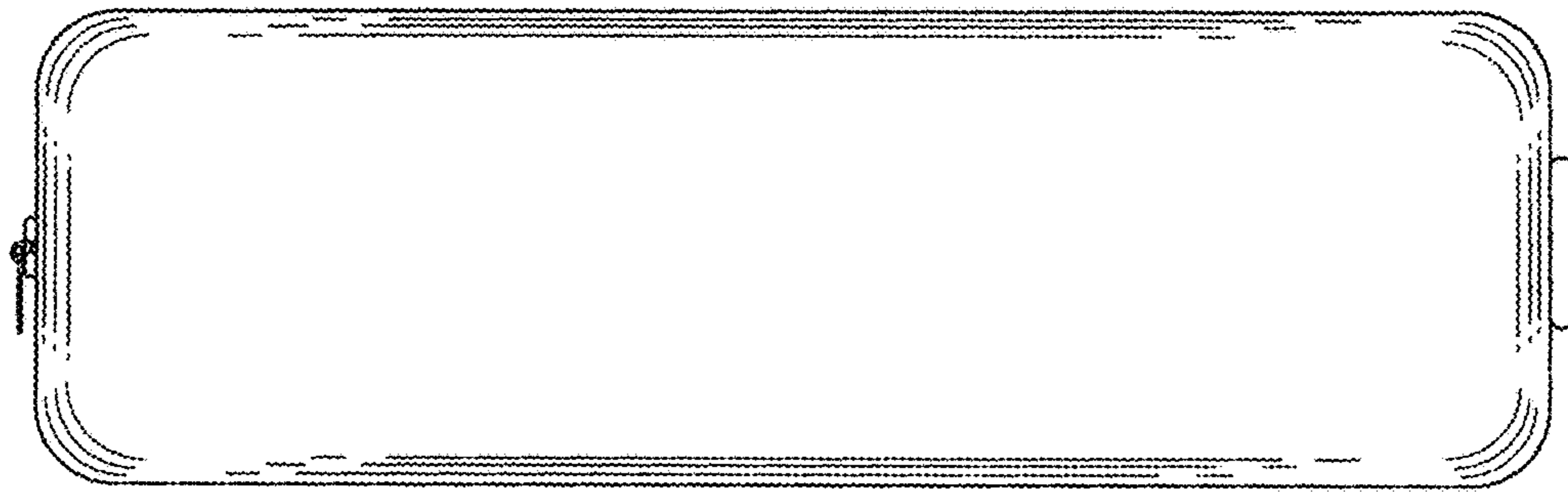


FIG.4

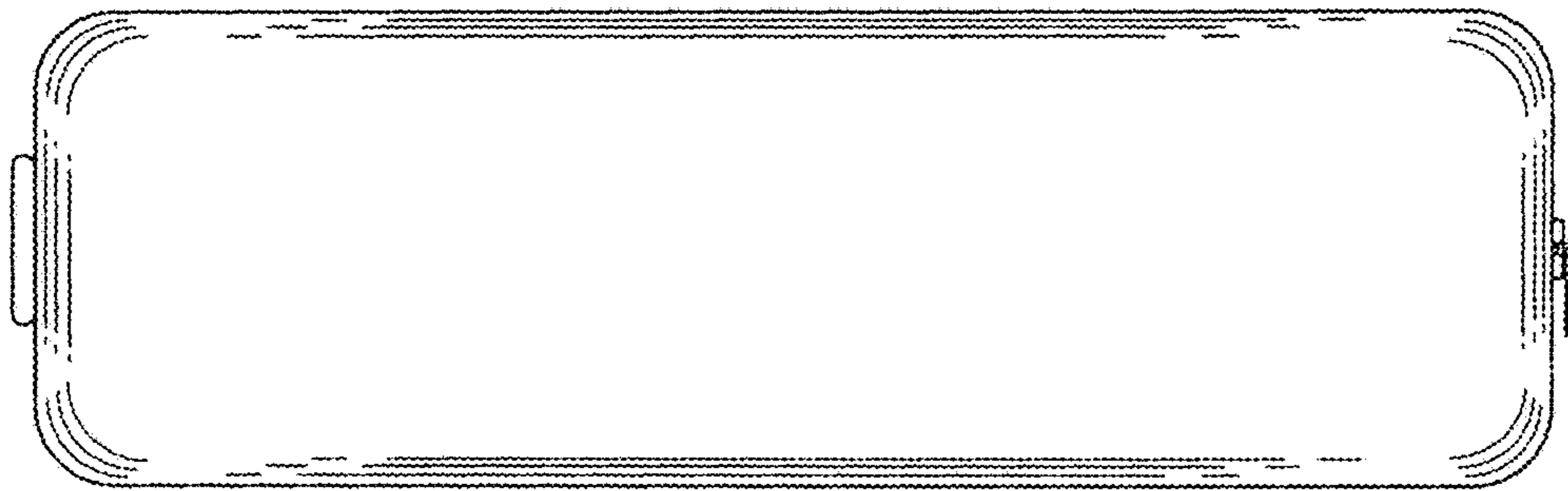


FIG.5

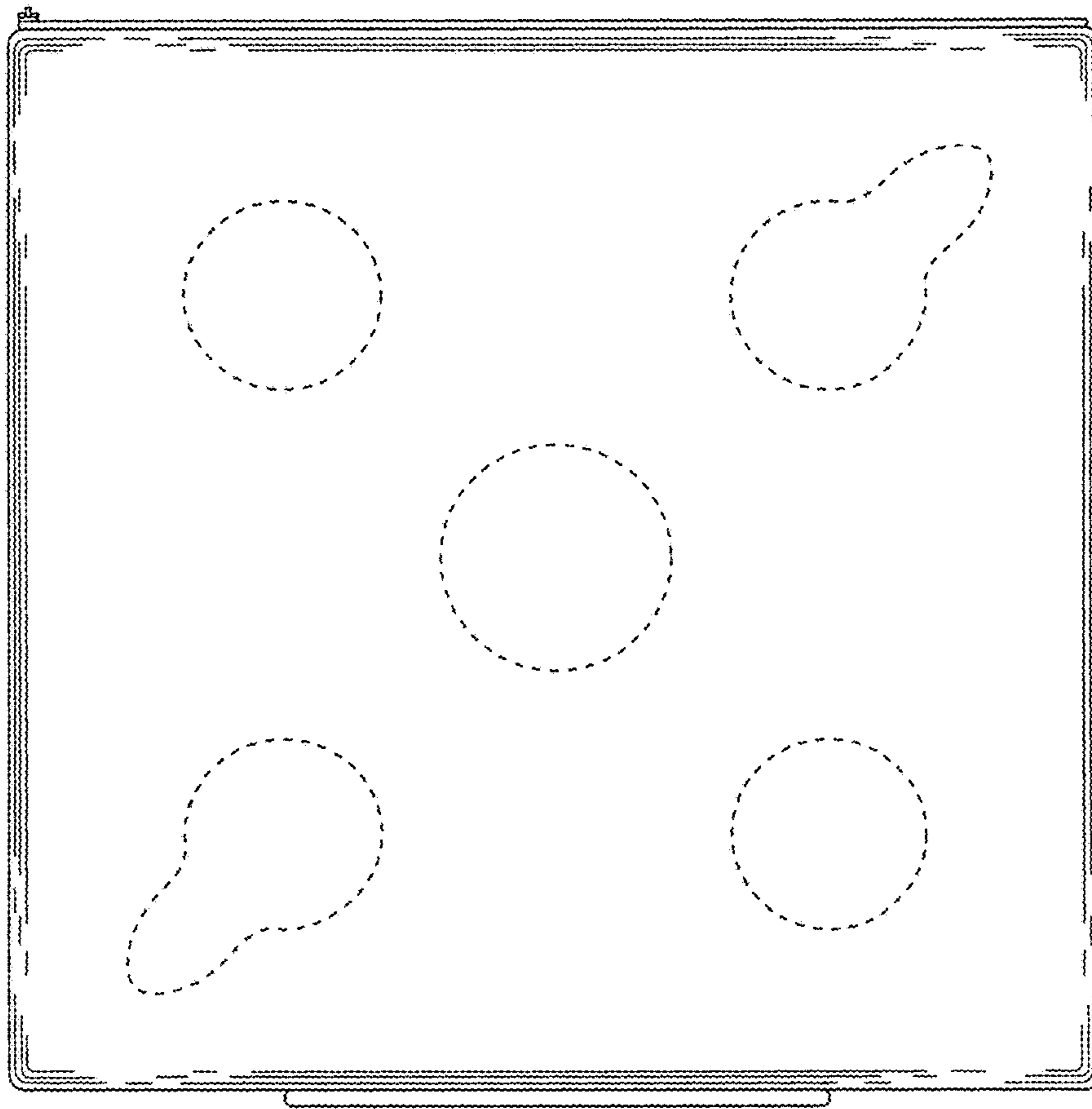


FIG.6



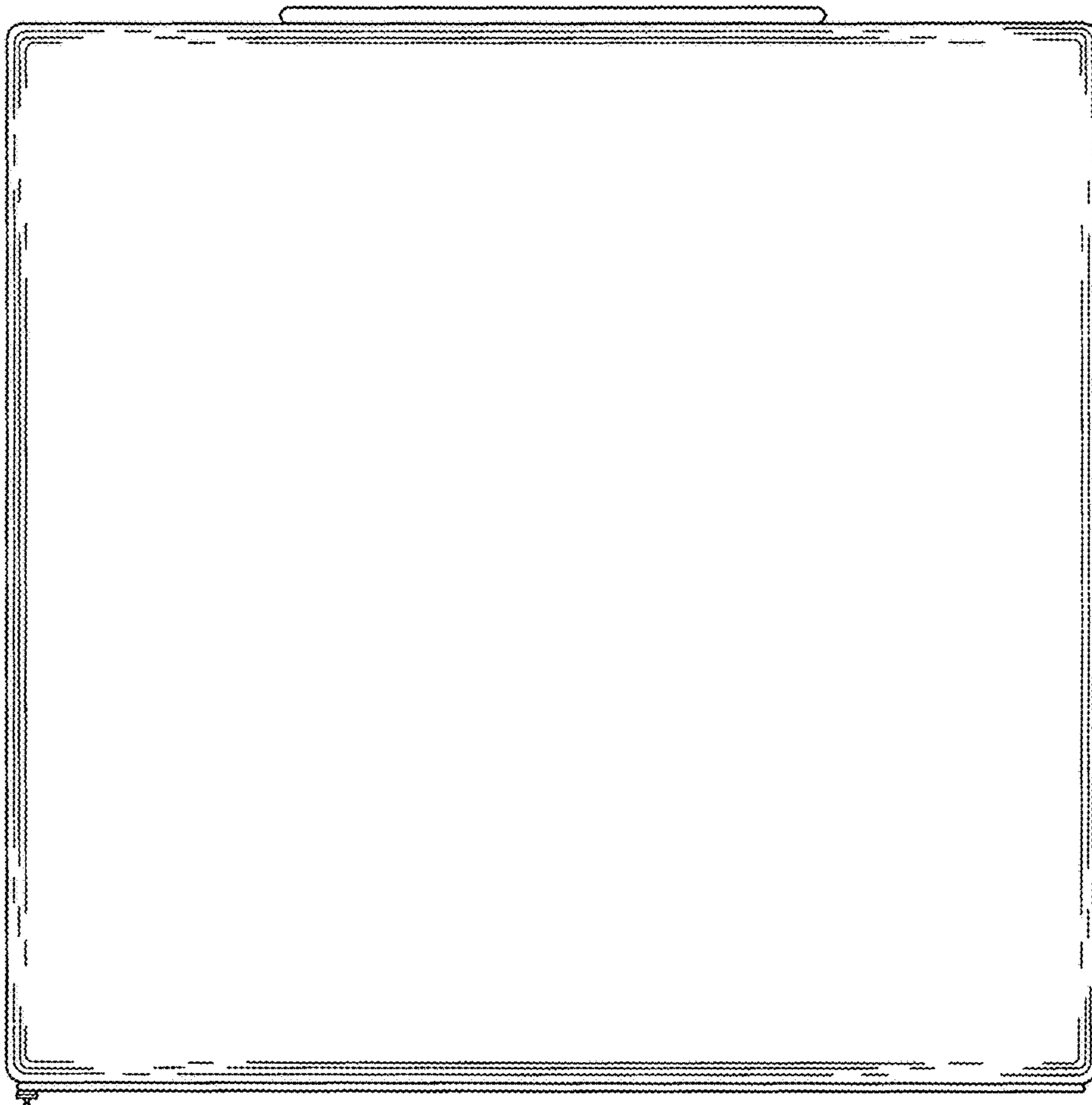


FIG. 7