



US00D863824S

(12) **United States Design Patent**
Comercio

(10) **Patent No.:** **US D863,824 S**

(45) **Date of Patent:** **** *Oct. 22, 2019**

- (54) **MEDICAL SUPPORT PILLOW**
- (71) Applicant: **Gustavo Comercio**, Queens, NY (US)
- (72) Inventor: **Gustavo Comercio**, Queens, NY (US)
- (*) Notice: This patent is subject to a terminal disclaimer.
- (**) Term: **15 Years**
- (21) Appl. No.: **29/618,831**
- (22) Filed: **Sep. 25, 2017**
- (51) **LOC (12) Cl.** **06-09**
- (52) **U.S. Cl.**
USPC **D6/601**
- (58) **Field of Classification Search**
USPC D6/333, 349, 355, 375, 388, 512, 563,
D6/564, 595, 596, 601, 602, 603, 604,
D6/605, 606, 607, 608, 707, 715, 716,
D6/716.1; 5/636, 490, 491, 495;
D24/183-184
CPC A47C 17/00; A47C 17/021; A47C 17/13;
A47C 17/132; A47C 17/136; A47C
17/1655; A47C 17/207; A47G 9/10;
A47G 9/1027; A47G 9/1081; A47G
9/1036; A47G 9/1063; A47G 2009/1018
See application file for complete search history.

- 4,821,355 A * 4/1989 Burkhardt A47G 9/10
5/636
- 4,832,007 A * 5/1989 Davis, Jr. A47G 9/1081
250/580
- D334,107 S * 3/1993 Johnson D6/601
- D366,966 S * 2/1996 Bonaddio D6/335
- D370,821 S * 6/1996 Mata D6/596
- D372,805 S * 8/1996 Bonaddio D6/334
- D400,386 S * 11/1998 Keilhauer D6/601
- 6,047,425 A * 4/2000 Khazaal A47G 9/1027
5/640
- 6,345,401 B1 * 2/2002 Frydman A47G 9/10
5/636
- D521,301 S * 5/2006 Dickson D6/601
- D664,256 S * 7/2012 Dennewald D24/183
- D665,503 S * 8/2012 Dennewald D24/183
- D701,710 S * 4/2014 Martinez D6/601
- D758,100 S * 6/2016 Pham D6/601
- 2015/0164727 A1 * 6/2015 Lopez A47G 9/10
5/653

* cited by examiner

Primary Examiner — Michelle E. Wilson
Assistant Examiner — Sanjeev Paul
(74) *Attorney, Agent, or Firm* — Keala Chan; Chan
Hubbard PLLC

(57) **CLAIM**

The design for a medical support pillow, as depicted herein
in FIGS. 1-7.

DESCRIPTION

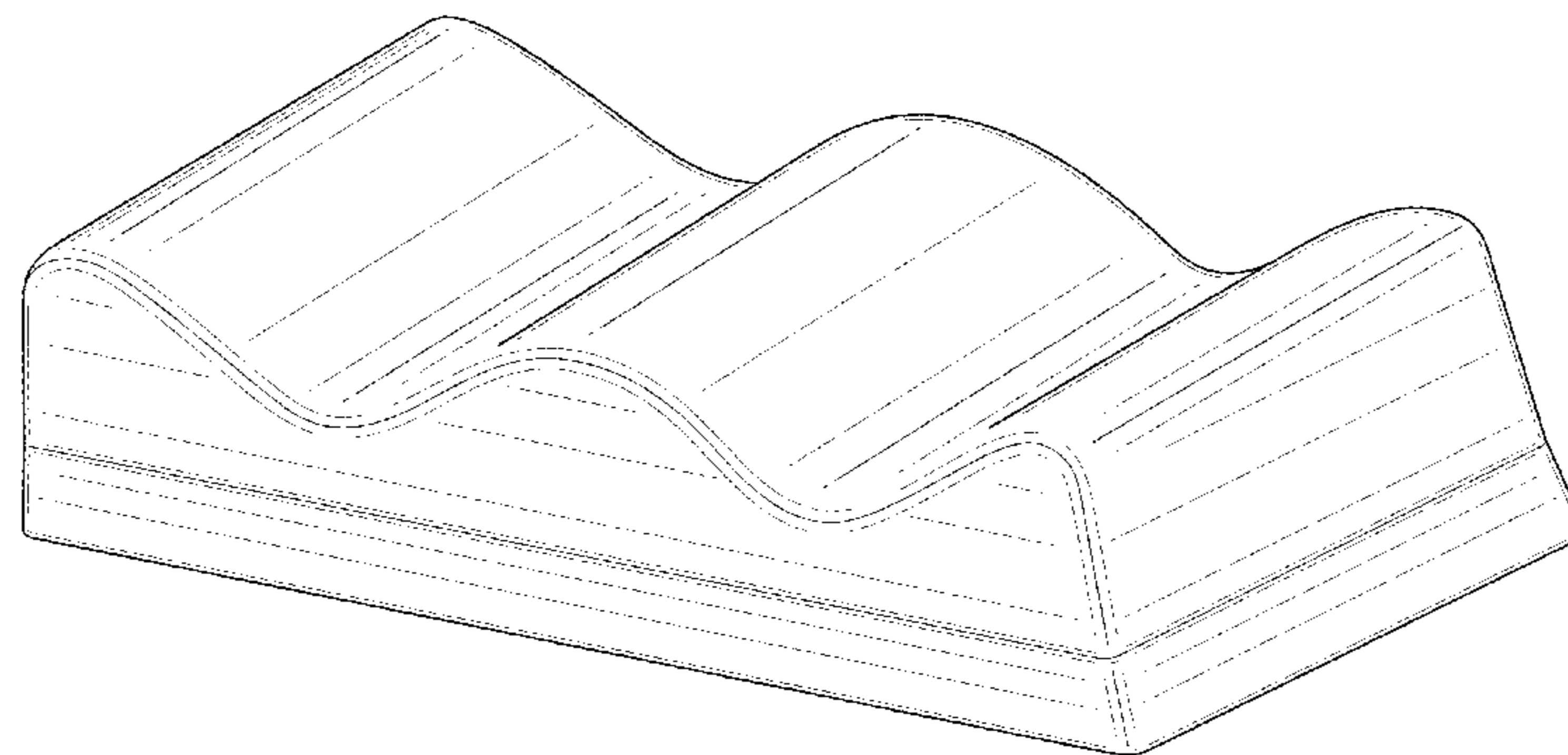
FIG. 1 is a perspective view of the invention.
FIG. 2 is a front view of the invention.
FIG. 3 is a view of the back of the invention.
FIG. 4 is view of one side of the invention.
FIG. 5 is the opposing side view of the invention.
FIG. 6 is a top view of the invention; and,
FIG. 7 is a view of the bottom of the invention.

1 Claim, 7 Drawing Sheets

(56) **References Cited**

U.S. PATENT DOCUMENTS

- D211,721 S * 7/1968 Radford D6/601
- 4,027,888 A * 6/1977 Wilcox A47C 3/16
297/452.17
- D246,816 S * 1/1978 Tam D6/596
- D254,029 S * 1/1980 Barbagallo 5/636
- D276,938 S * 12/1984 Pedersen 5/636
- 4,756,090 A * 7/1988 Pedrow A47G 9/10
33/512



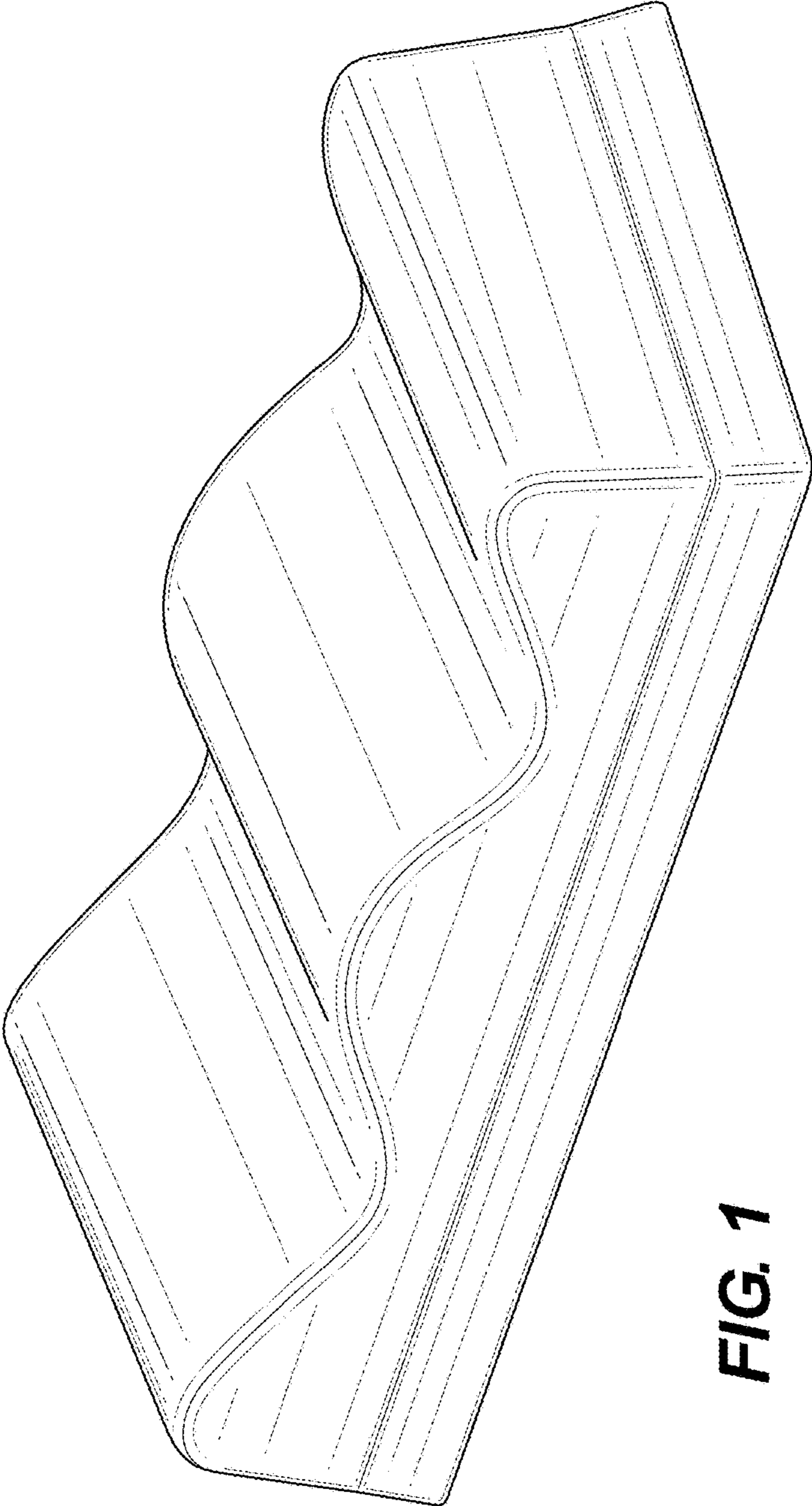


FIG. 1

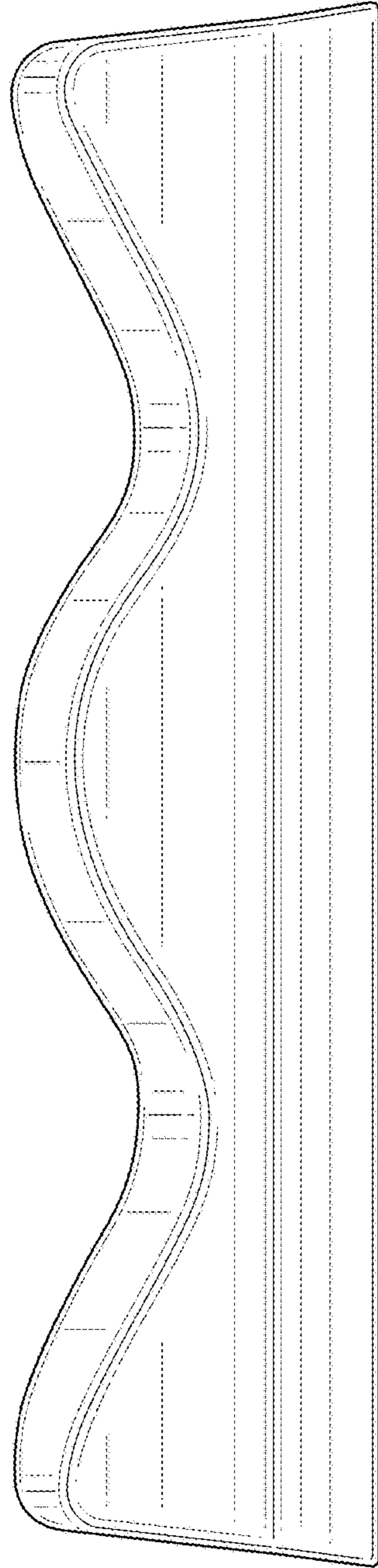


FIG. 2

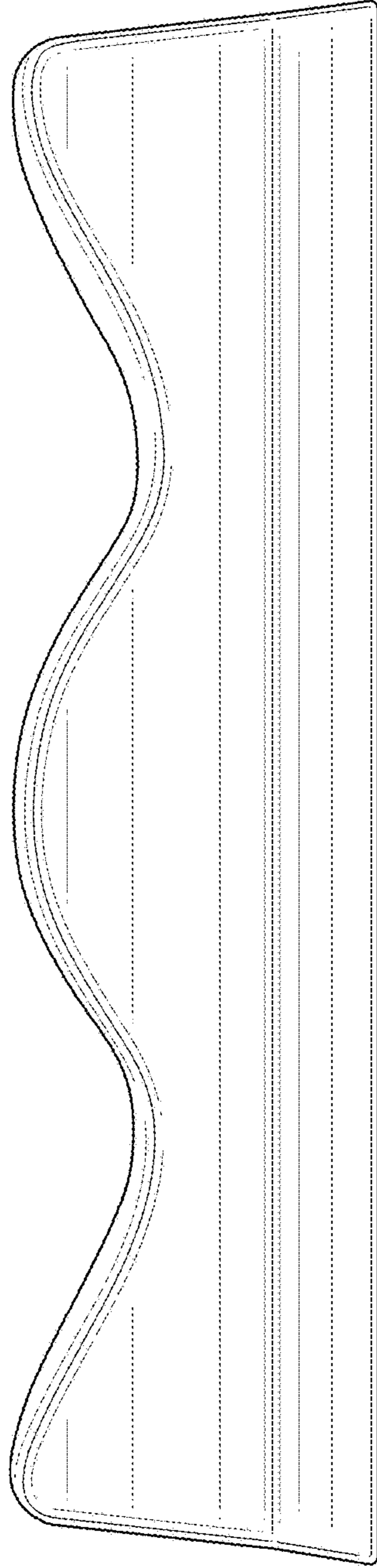


FIG. 3

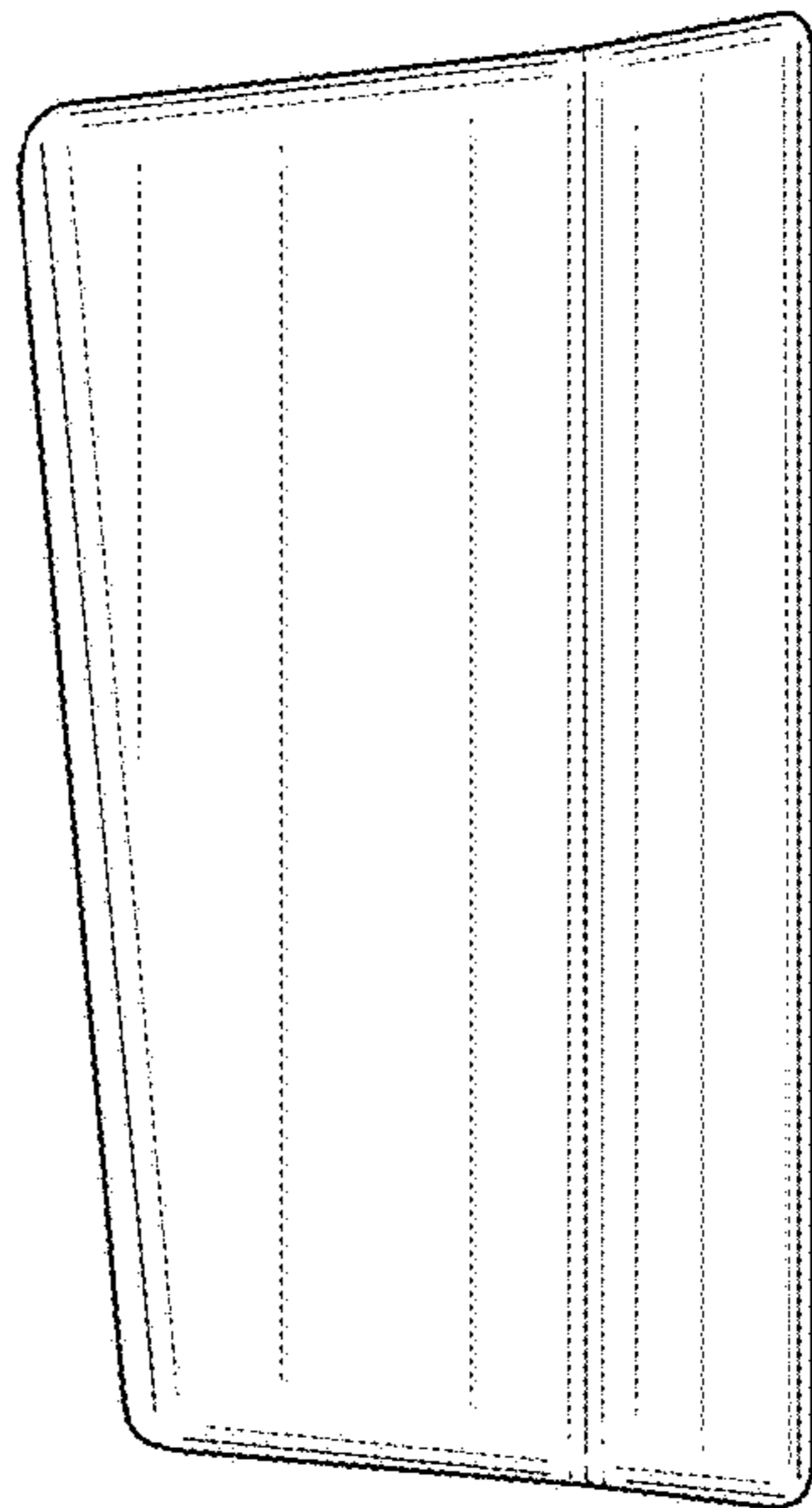


FIG. 4

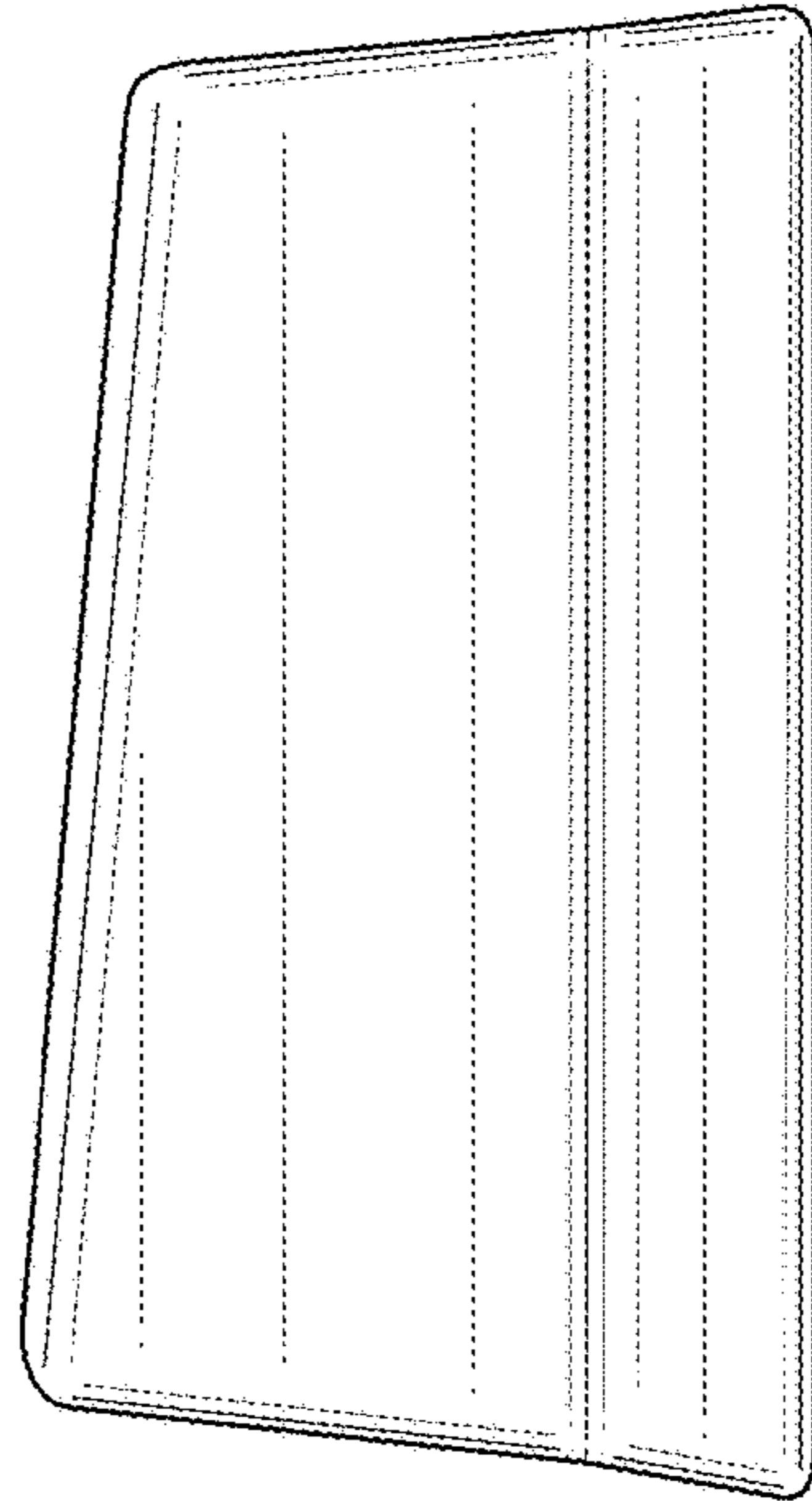


FIG. 5

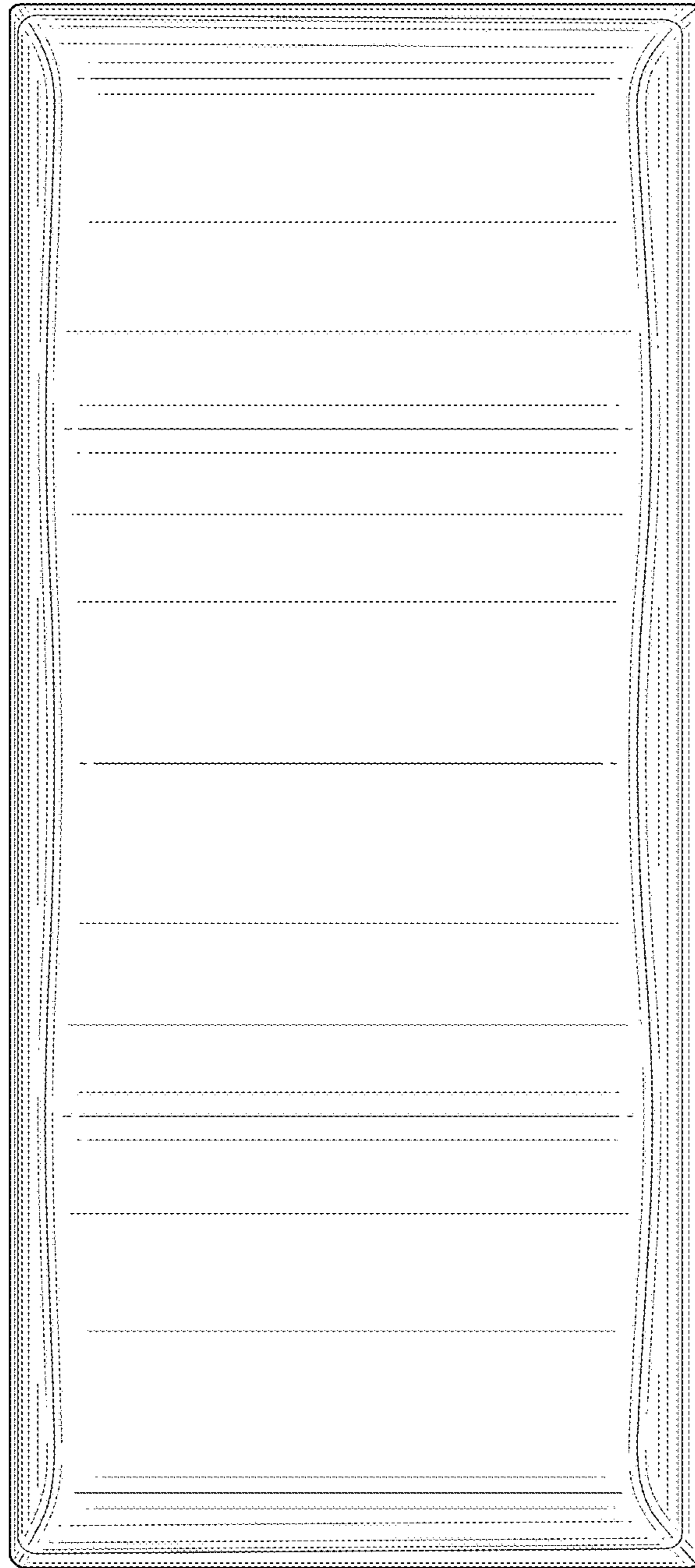


FIG. 6

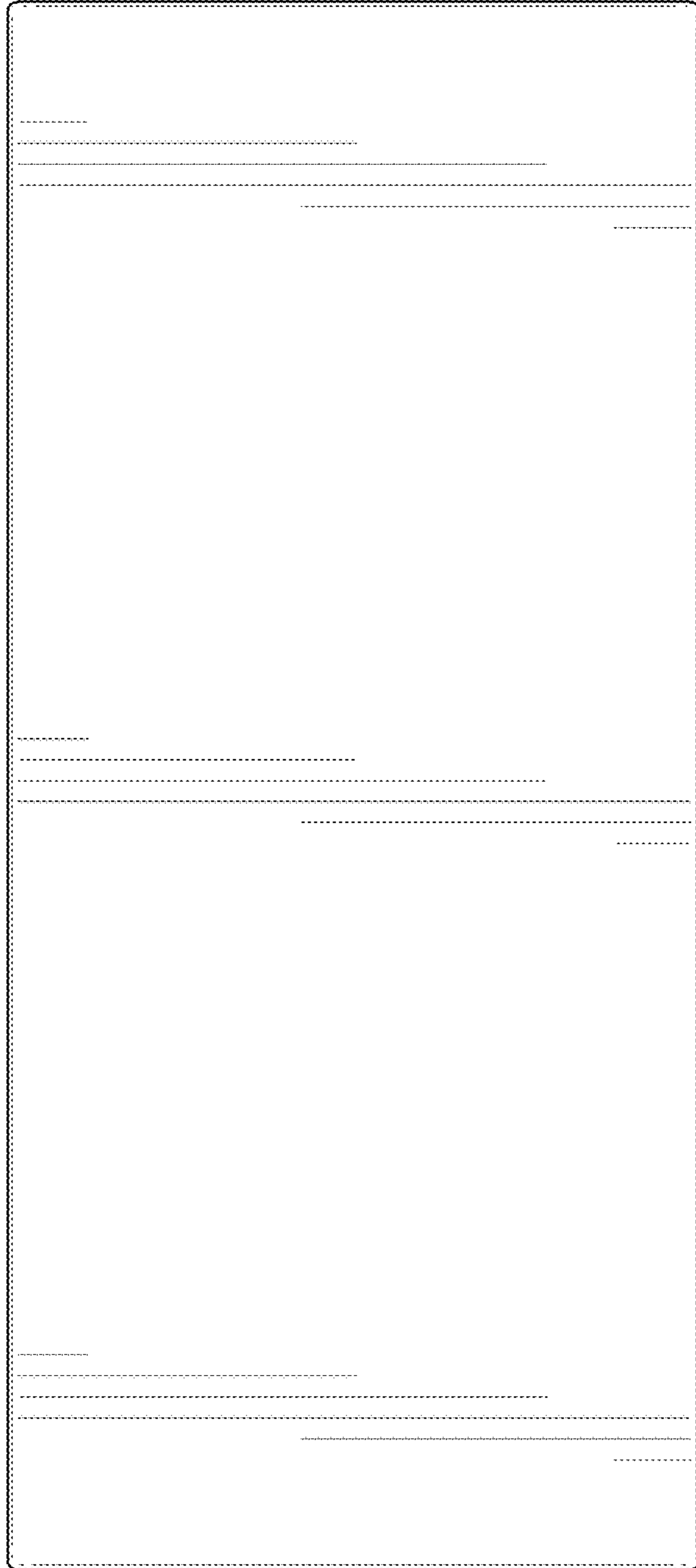


FIG. 7