



US00D863820S

(12) **United States Design Patent**
Bitzounis et al.

(10) **Patent No.:** **US D863,820 S**

(45) **Date of Patent:** **** Oct. 22, 2019**

(54) **MATTRESS**

5,542,137 A * 8/1996 Byfield A47C 31/105
5/498

(71) Applicants: **Athanasios Bitzounis**, Bedford Gardens
(ZA); **Asim Qasim**, Centurion (ZA)

D831,382 S * 10/2018 Huang D6/596

* cited by examiner

(72) Inventors: **Athanasios Bitzounis**, Bedford Gardens
(ZA); **Asim Qasim**, Centurion (ZA)

Primary Examiner — R. Johnson

(74) *Attorney, Agent, or Firm* — Banner & Witcoff, Ltd.

(73) Assignees: **Athanasios Bitzounis**, Bedford Gardens
(ZA); **Mohammed Asif Qasim**,
Bedford Gardens (ZA)

(57) **CLAIM**

(**) Term: **15 Years**

The ornamental design for a mattress, as shown and described.

(21) Appl. No.: **29/635,198**

(22) Filed: **Jan. 29, 2018**

DESCRIPTION

(30) **Foreign Application Priority Data**

Jul. 27, 2017 (ZA) A2017/01174

(51) **LOC (12) Cl.** **06-09**

(52) **U.S. Cl.**
USPC **D6/596**

(58) **Field of Classification Search**
USPC D6/595, 596, 601, 606
CPC A47C 23/00; A47C 27/00; A47C 27/002;
A47C 27/08

See application file for complete search history.

FIG. 1 is a front perspective view of a mattress showing our new design;

FIG. 2 is an enlarged view of the encircled portion shown in FIG. 1;

FIG. 3 is a right side view thereof; and,

FIG. 4 is a front view thereof.

The contrast between the grey-filled racetrack-shaped elements and the remainder of mattress sidewall represents a contrast in appearance only and does not represent any particular color, material, or texture. Portions of the mattress are shown separated by break lines to indicate indeterminate length; the appearance of any portions of the mattress between the break lines from no part of the claimed design. The broken line showing of the remainder of the mattress represents environmental structure and forms no part of the claimed design.

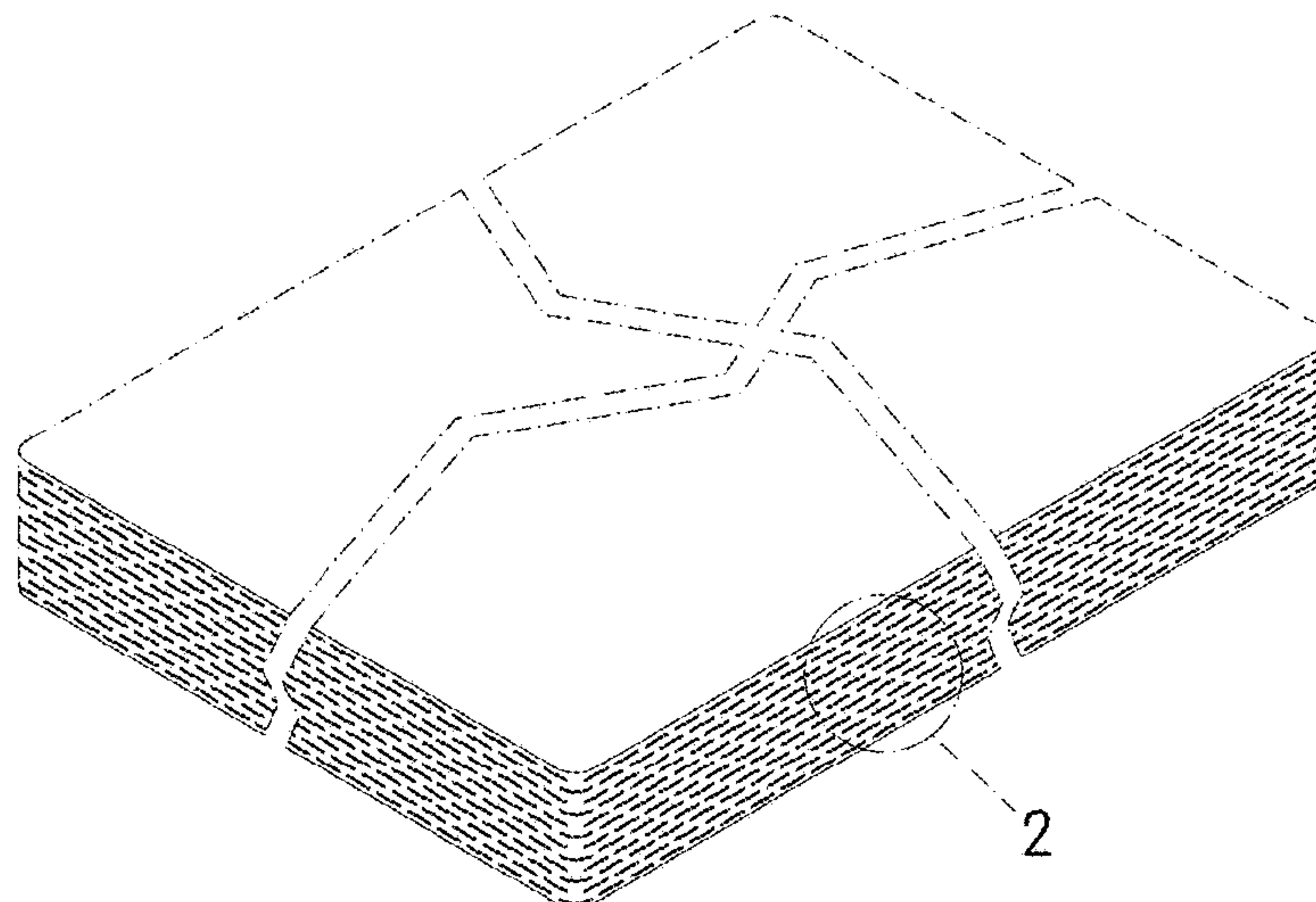
(56) **References Cited**

U.S. PATENT DOCUMENTS

4,672,702 A * 6/1987 Isham A47G 9/02
5/497

5,127,115 A * 7/1992 Williams A47G 9/0246
112/475.08

1 Claim, 2 Drawing Sheets



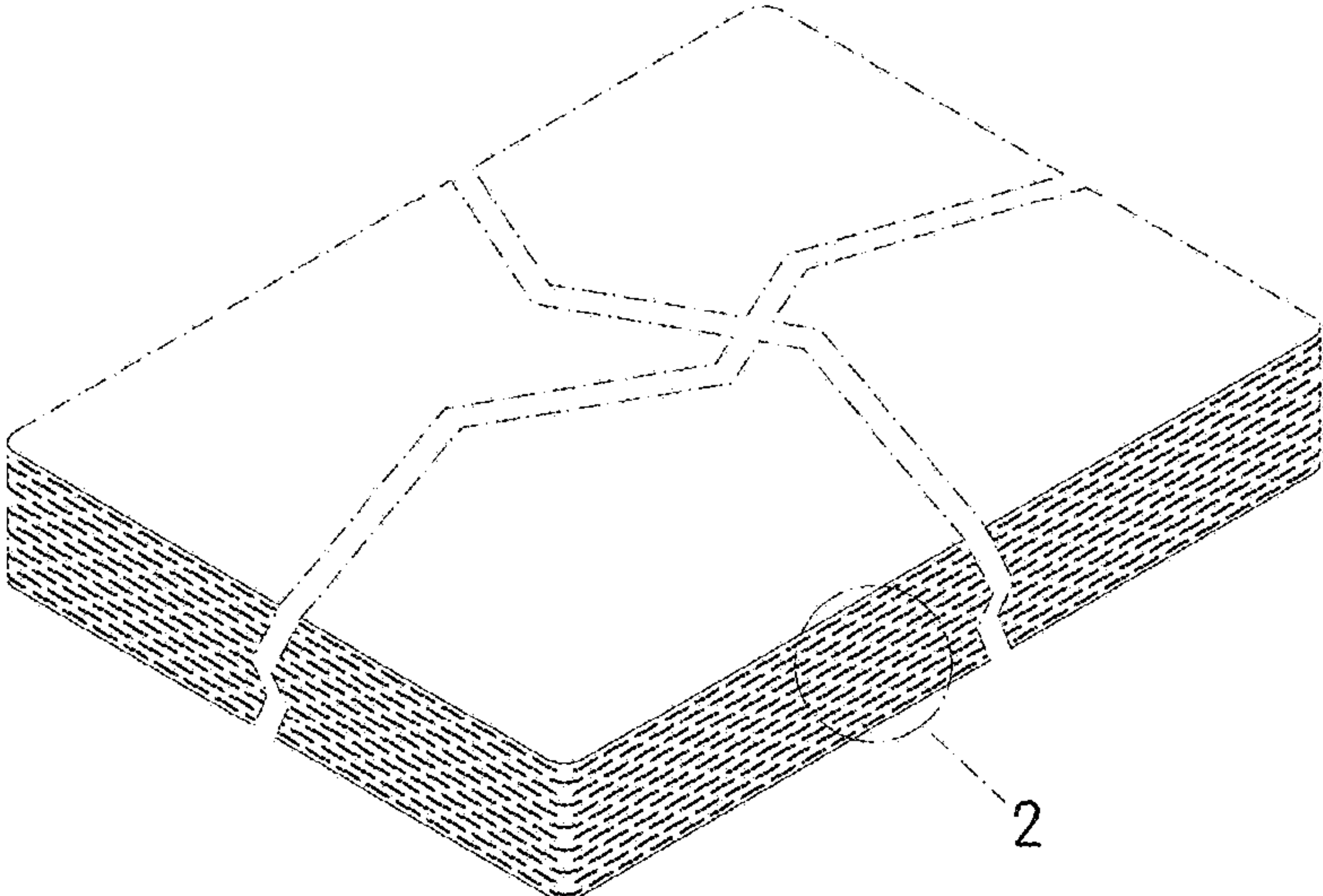


FIG. 1

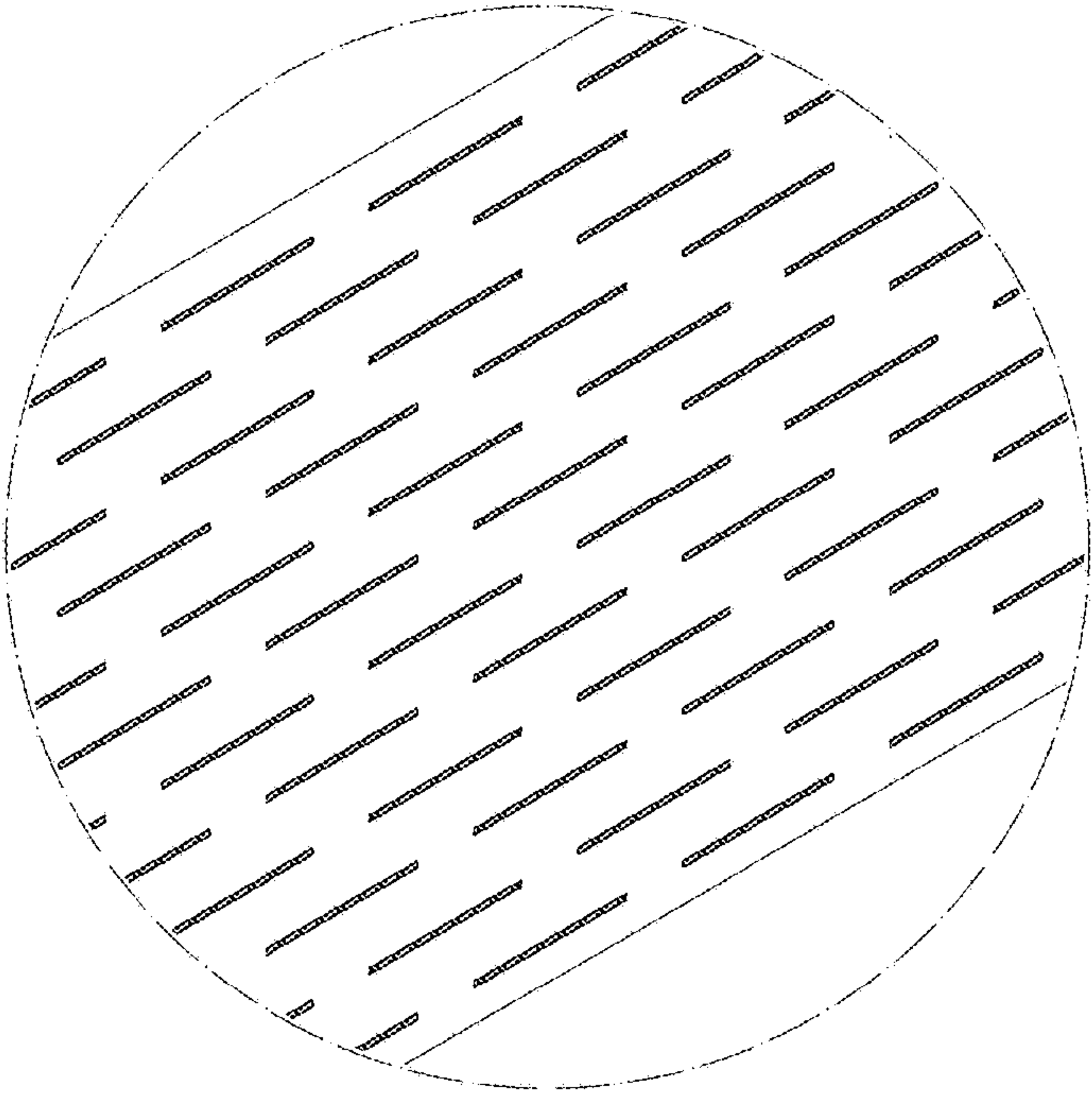


FIG. 2

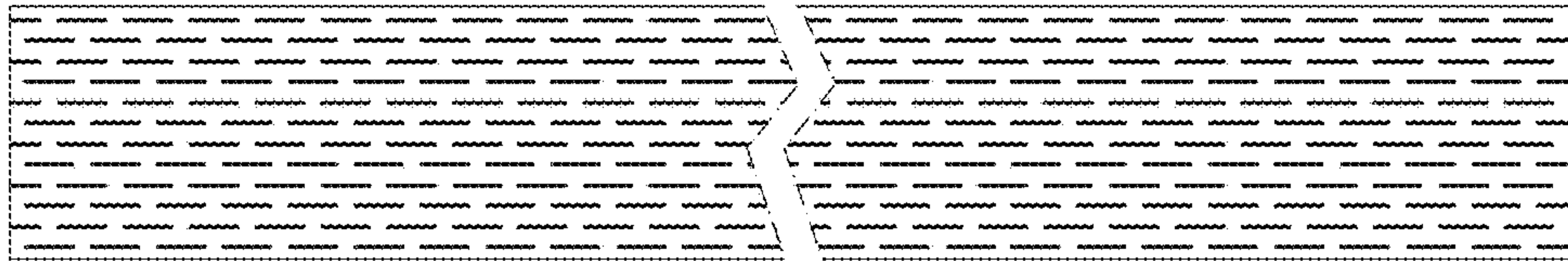


FIG. 3

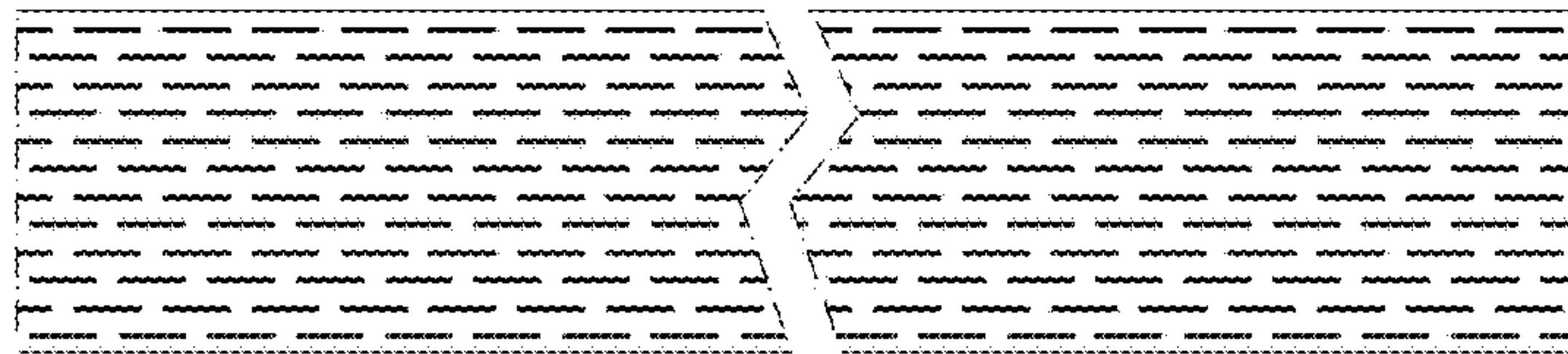


FIG. 4