



US00D863819S

(12) **United States Design Patent** (10) **Patent No.:** **US D863,819 S**
Ghiorghie (45) **Date of Patent:** **** Oct. 22, 2019**

(54) **MAT**

(71) Applicant: **InterDesign, Inc.**, Solon, OH (US)

(72) Inventor: **Radu Alexandru Ghiorghie**, Copley, OH (US)

(73) Assignee: **InterDesign, Inc.**, Solon, OH (US)

(**) Term: **15 Years**

(21) Appl. No.: **29/549,424**

(22) Filed: **Dec. 22, 2015**

Related U.S. Application Data

(63) Continuation of application No. 29/460,619, filed on Jul. 12, 2013, now Pat. No. Des. 746,604, which is a continuation-in-part of application No. 29/449,963, filed on Mar. 15, 2013, now Pat. No. Des. 747,102.

(51) **LOC (12) Cl.** **06-11**

(52) **U.S. Cl.**
USPC **D6/585**; D23/261

(58) **Field of Classification Search**
USPC D6/582-583, 585-589, 592, 595, 597, D6/601-603, 608-609, 613-616; D7/388; D12/202, 203; D19/10; D23/261; D24/213; D25/138, 157, 158; D30/161; D32/55, 57
CPC A47G 9/062; A47G 27/0468; A47G 27/0293; A47G 27/025; A47G 27/0237; A47G 27/0231; A47G 27/0225; A47G 27/0218; A47G 27/0212; A47G 27/0206; A47G 27/02; A47K 3/002; A47L 23/266; A47L 3/26; A63B 6/00; A63B 21/4037; E04F 2201/095

See application file for complete search history.

(56) **References Cited**

U.S. PATENT DOCUMENTS

D9,254 S *	5/1876	Cooper	D12/203
2,217,821 A *	10/1940	Shiner	A47K 3/002
				4/577.1
D164,219 S *	8/1951	Caldwell	D32/57
D191,184 S *	8/1961	Scholz	D23/261
D191,901 S *	12/1961	Breneman	D6/585
3,418,668 A *	12/1968	Anderson	A47K 3/002
				4/583
D238,538 S *	1/1976	Smith	D6/582
D263,776 S *	4/1982	Ashley	D23/261
D289,095 S *	3/1987	Chiodo	119/165
D343,087 S *	1/1994	Kaiser	D6/583
5,456,966 A *	10/1995	Austin	A47G 27/0225
				404/35
D517,753 S *	3/2006	Northrop	D30/161
D517,759 S *	3/2006	Dretzka	D32/57
D537,729 S *	3/2007	Owaku	D6/601

(Continued)

Primary Examiner — Kevin K Rudzinski

Assistant Examiner — Clare Ann Gannon

(74) *Attorney, Agent, or Firm* — Calfee, Halter & Griswold, LLP

(57) **CLAIM**

I claim the ornamental design for a mat, as shown and described.

DESCRIPTION

FIG. 1 is a front/right/top perspective view of a mat (a front/left/top perspective view would be a mirror image thereof);

FIG. 2 is a front/left/top perspective view thereof at a different angle (a front/right/top perspective view would be a mirror image thereof);

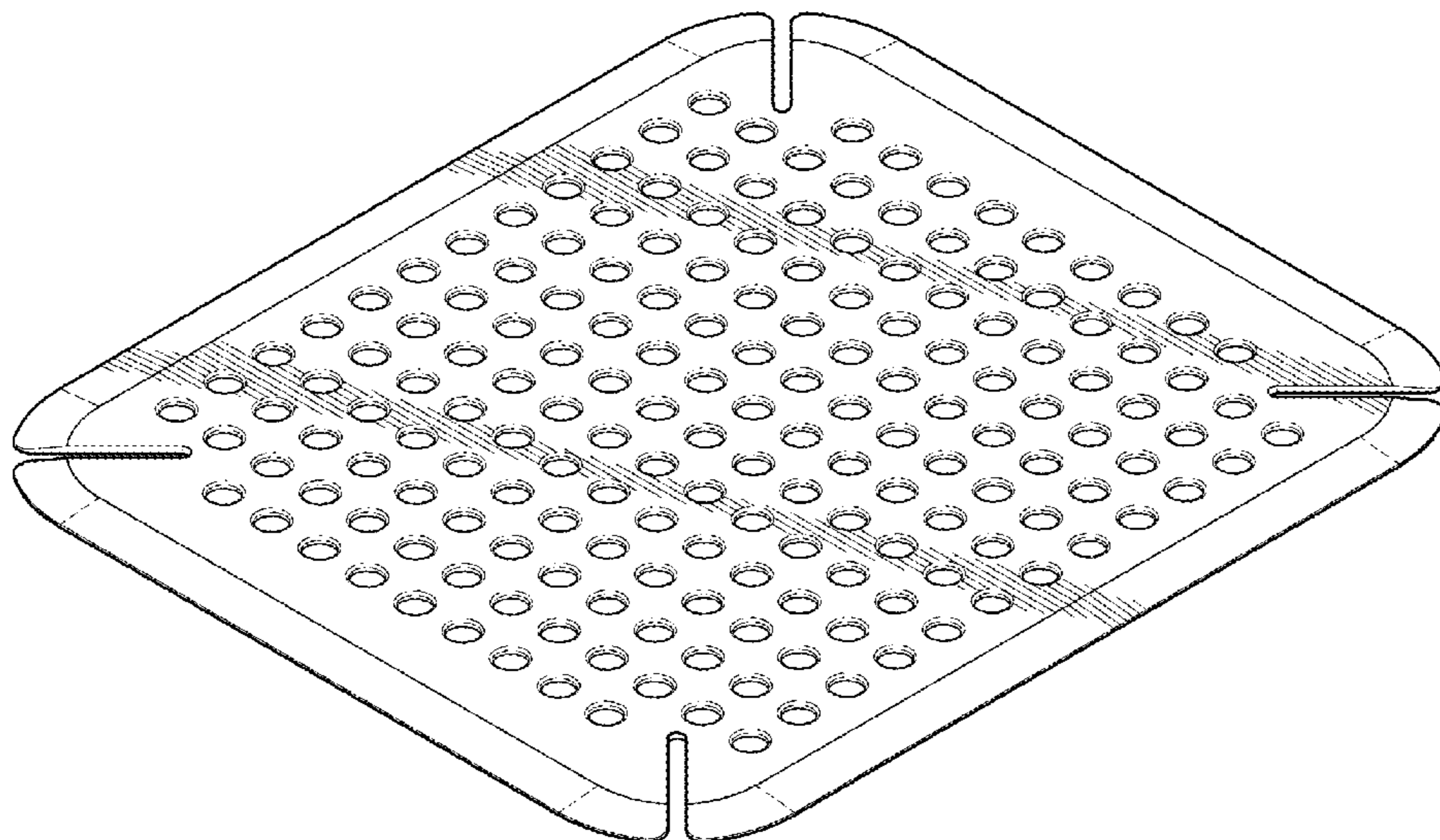
FIG. 3 is a top plan view thereof;

FIG. 4 is a bottom plan view thereof; and,

FIG. 5 is a right side elevational view thereof.

The broken lines depict environment and form no part of the claimed design.

1 Claim, 5 Drawing Sheets



(56)

References Cited

U.S. PATENT DOCUMENTS

7,325,694 B2 * 2/2008 Bushey A47J 43/24
210/464
8,033,249 B1 * 10/2011 Cook A01K 1/0157
119/165
D703,409 S * 4/2014 Robbins, III A47G 27/0231
D32/57
8,690,133 B1 * 4/2014 Hauser A47J 47/005
269/13
D746,955 S * 1/2016 Corder A47J 47/005
D23/261
D751,784 S * 3/2016 Robbins, III A01K 1/0157
D32/55
D817,661 S * 5/2018 Valentin A47J 43/24
D6/582
D840,174 S * 2/2019 Kraemer D6/585
2003/0232175 A1 * 12/2003 Zahler A47G 27/0231
428/163
2013/0045356 A1 * 2/2013 Dretzka E03C 1/186
428/131

* cited by examiner

FIG. 1

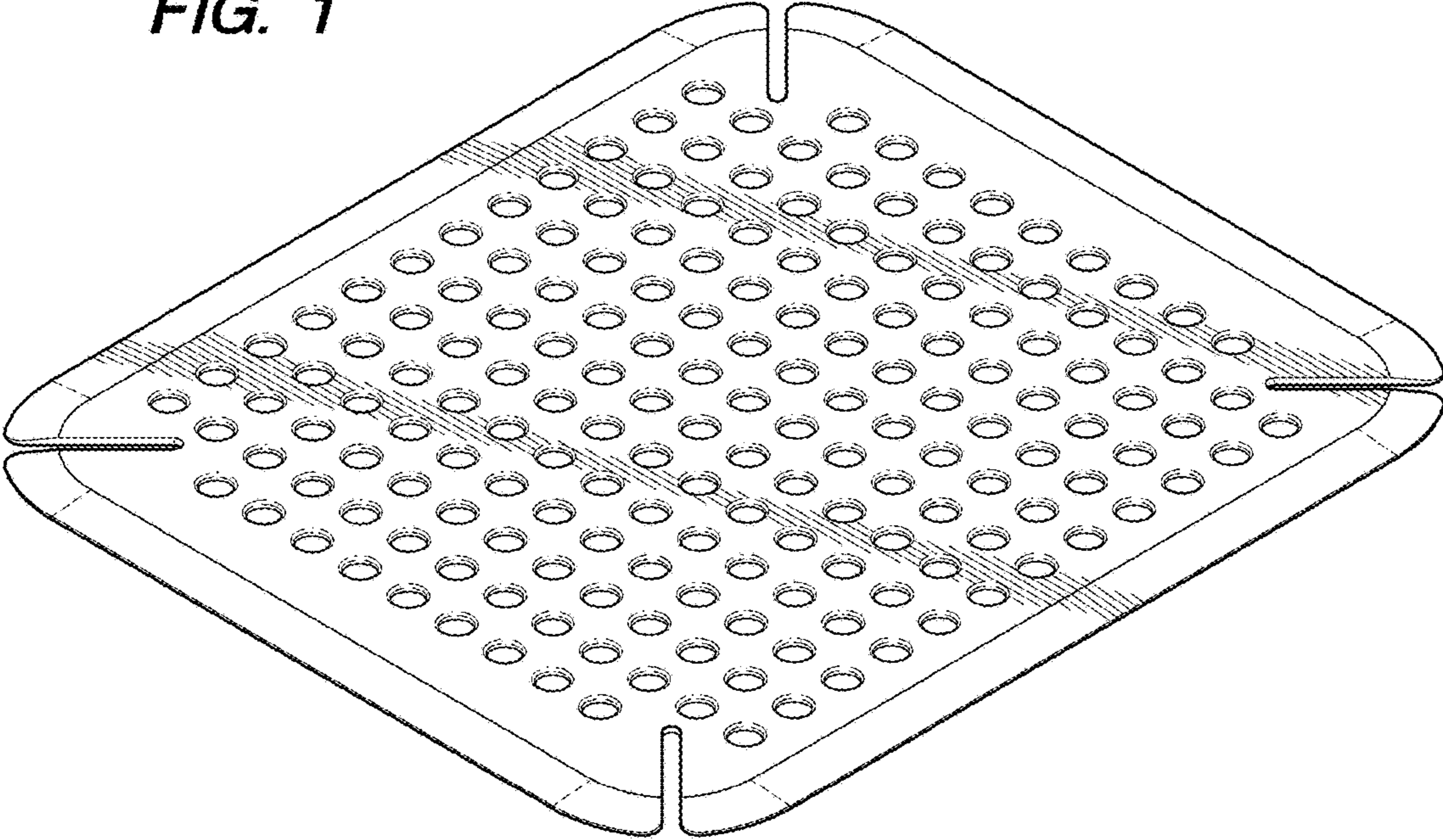


FIG. 2

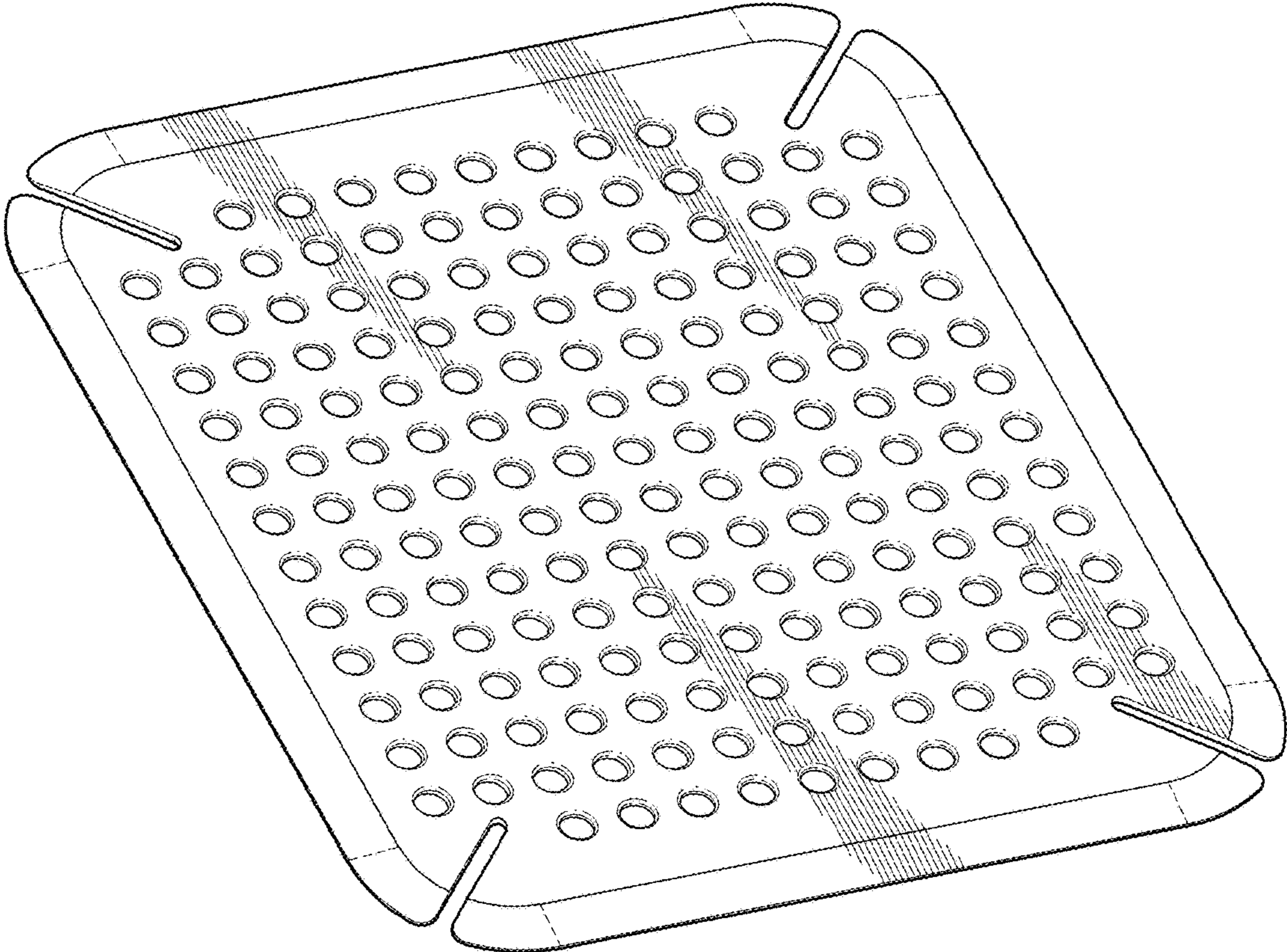


FIG. 3

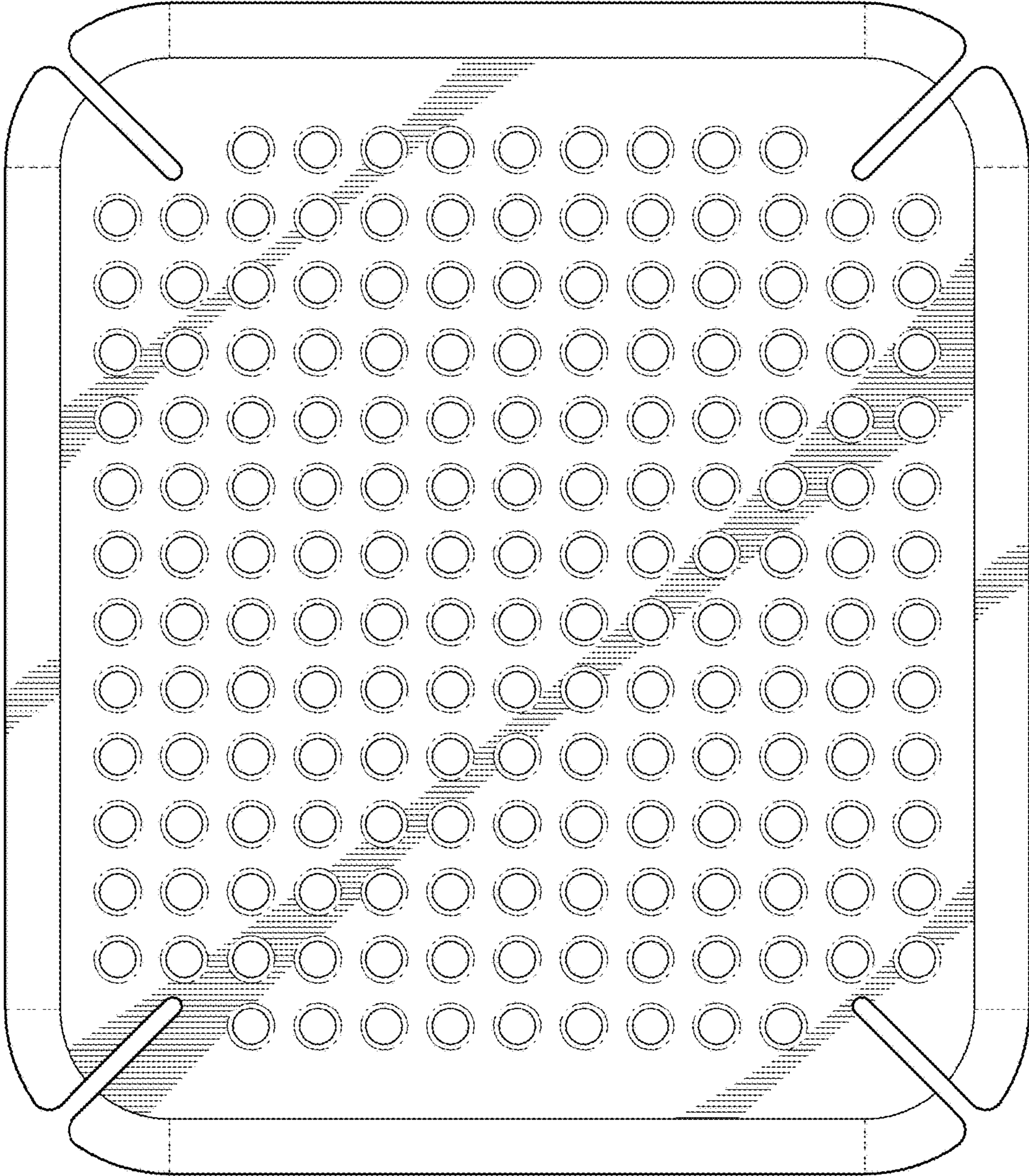


FIG. 4

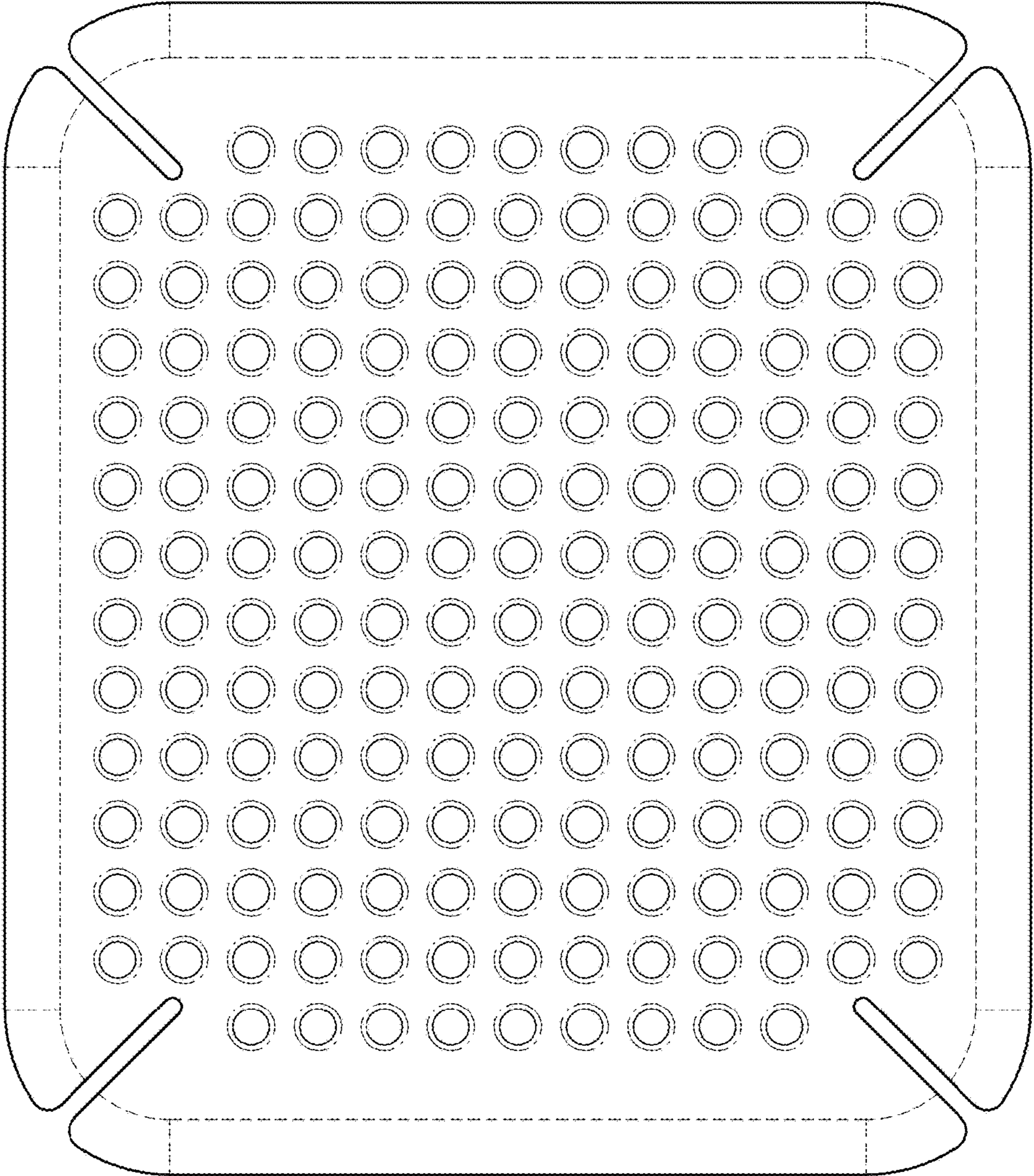


FIG. 5

