



US00D863818S

(12) **United States Design Patent**
Chen

(10) **Patent No.:** **US D863,818 S**

(45) **Date of Patent:** **** Oct. 22, 2019**

- (54) **VENETIAN BLIND SLAT**
- (71) Applicant: **SHEEN WORLD TECHNOLOGY CORPORATION**, Taichung (TW)
- (72) Inventor: **Po-Yu Chen**, Taichung (TW)
- (73) Assignee: **SHEEN WORLD TECHNOLOGY CORPORATION**, Taichung (TW)
- (**) Term: **15 Years**
- (21) Appl. No.: **29/622,251**
- (22) Filed: **Oct. 16, 2017**
- (51) **LOC (12) Cl.** **06-10**
- (52) **U.S. Cl.**
USPC **D6/580**
- (58) **Field of Classification Search**
USPC D6/575-581; D8/376; D25/55, 119, D25/121, 123, 125; D26/138
CPC . A01G 9/222; A47H 1/04; A47H 1/13; A47H 23/00; A47H 23/01; A47H 23/06; A47H 23/10; A47H 5/00; E06B 2009/247; E06B 2009/2476; E06B 2009/2494; E06B 2009/2622; E06B 2009/2625; E06B 2009/2627; E06B 2009/524; E06B 9/24; E06B 9/26; E06B 9/262; E06B 9/264; E06B 9/28; E06B 9/303; E06B 9/322; E06B 9/323; E06B 9/34; E06B 9/386; E06B 9/388; E06B 9/40; E06B 9/42; E06B 9/521; E06B 9/56; E06B 9/60
See application file for complete search history.

(56) **References Cited**

U.S. PATENT DOCUMENTS

- 11,311 A * 7/1854 Ward E06B 9/386
160/236
- 976,573 A * 11/1910 Jones E02D 5/04
405/278

- 1,789,655 A * 1/1931 Iwata E06B 9/386
160/133
- 2,146,816 A * 2/1939 Grassby, Jr. E06B 9/386
160/178.1 R
- 2,183,290 A * 12/1939 Haase E06B 9/305
160/168.1 R
- 2,209,355 A * 7/1940 Schmitz E06B 9/386
160/178.1 R
- 2,388,221 A * 10/1945 Smith G07D 9/004
150/150
- 2,485,217 A * 10/1949 Semilof E06B 9/388
160/178.1 R
- D290,617 S * 6/1987 Griffin D19/113
- D491,283 S * 6/2004 Glatz D25/136
- D495,549 S * 9/2004 Yu D6/577
- D535,844 S * 1/2007 Siegel D6/577
- D594,262 S * 6/2009 McNiel D6/577

(Continued)

Primary Examiner — Kevin K Rudzinski
Assistant Examiner — Clare Ann Gannon
 (74) *Attorney, Agent, or Firm* — Muncy, Geissler, Olds & Lowe, PC

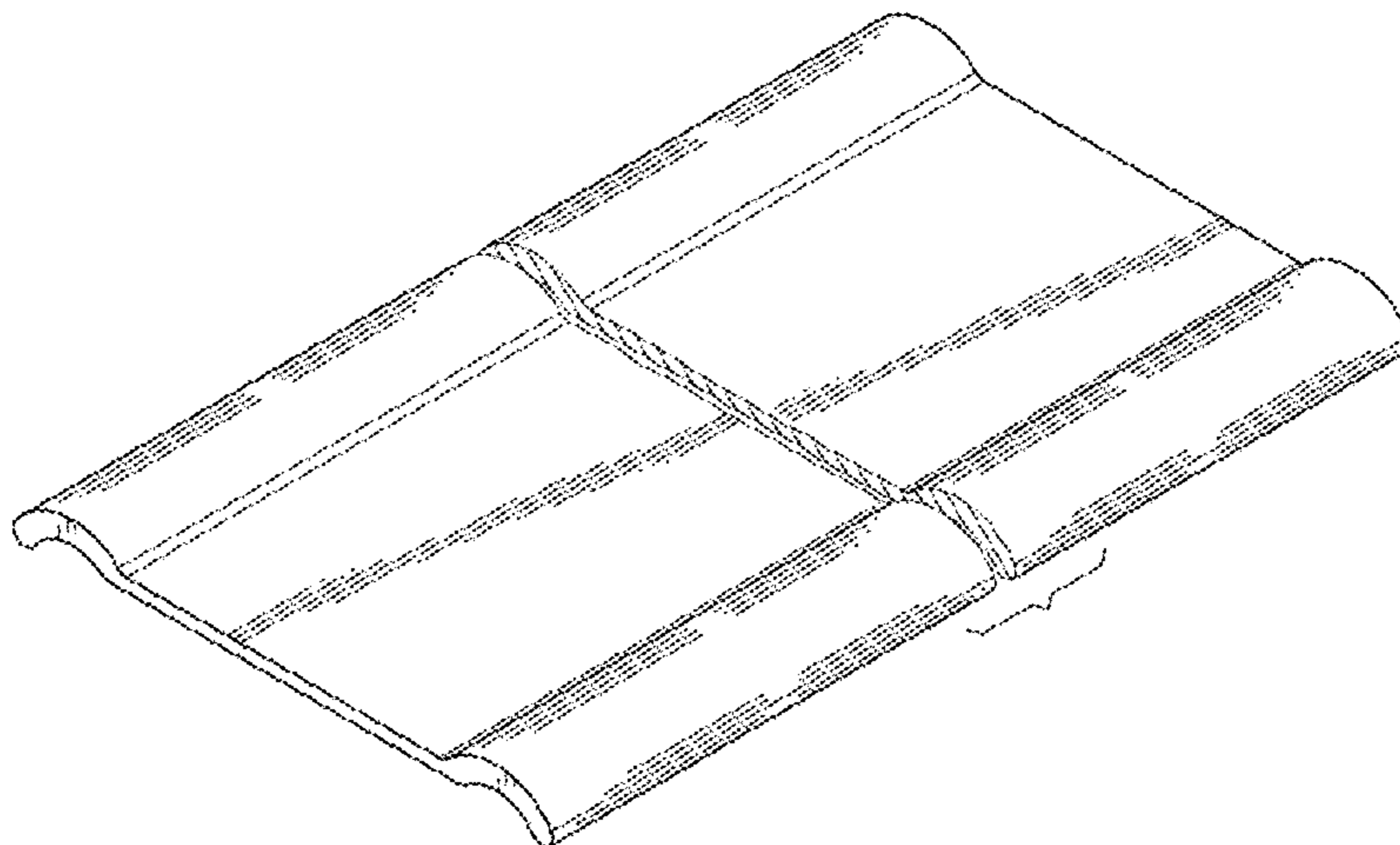
(57) **CLAIM**

The ornamental design for a venetian blind slat, as shown and described.

DESCRIPTION

FIG. 1 is a perspective view of a venetian blind slat of the present design;
 FIG. 2 is a front elevational view thereof;
 FIG. 3 is a rear elevational view thereof;
 FIG. 4 is a left side elevational view thereof;
 FIG. 5 is a right side elevational view thereof;
 FIG. 6 is a top plan view thereof; and,
 FIG. 7 is a bottom plan view thereof.
 The break lines shown in FIGS. 1 and 4-7 symbolize breaks in the length of the article in which the claimed design is embodied. The appearance of any portion of the article between the break lines forms no part of the claimed design.

1 Claim, 4 Drawing Sheets



(56)

References Cited

U.S. PATENT DOCUMENTS

D618,990 S *	7/2010	Heindl	D8/382
D665,658 S *	8/2012	Heindl	D8/382
D799,067 S *	10/2017	Forsberg	D25/119
D823,483 S *	7/2018	Wuensch	E02D 5/04
			D25/119
2006/0196620 A1 *	9/2006	Liang	E06B 9/386
			160/236
2012/0076594 A1 *	3/2012	Park	E02D 5/02
			405/285
2012/0085503 A1 *	4/2012	Kotin	E06B 7/09
			160/174 V
2015/0257533 A1 *	9/2015	Yang	A47K 1/09
			220/4.01

* cited by examiner

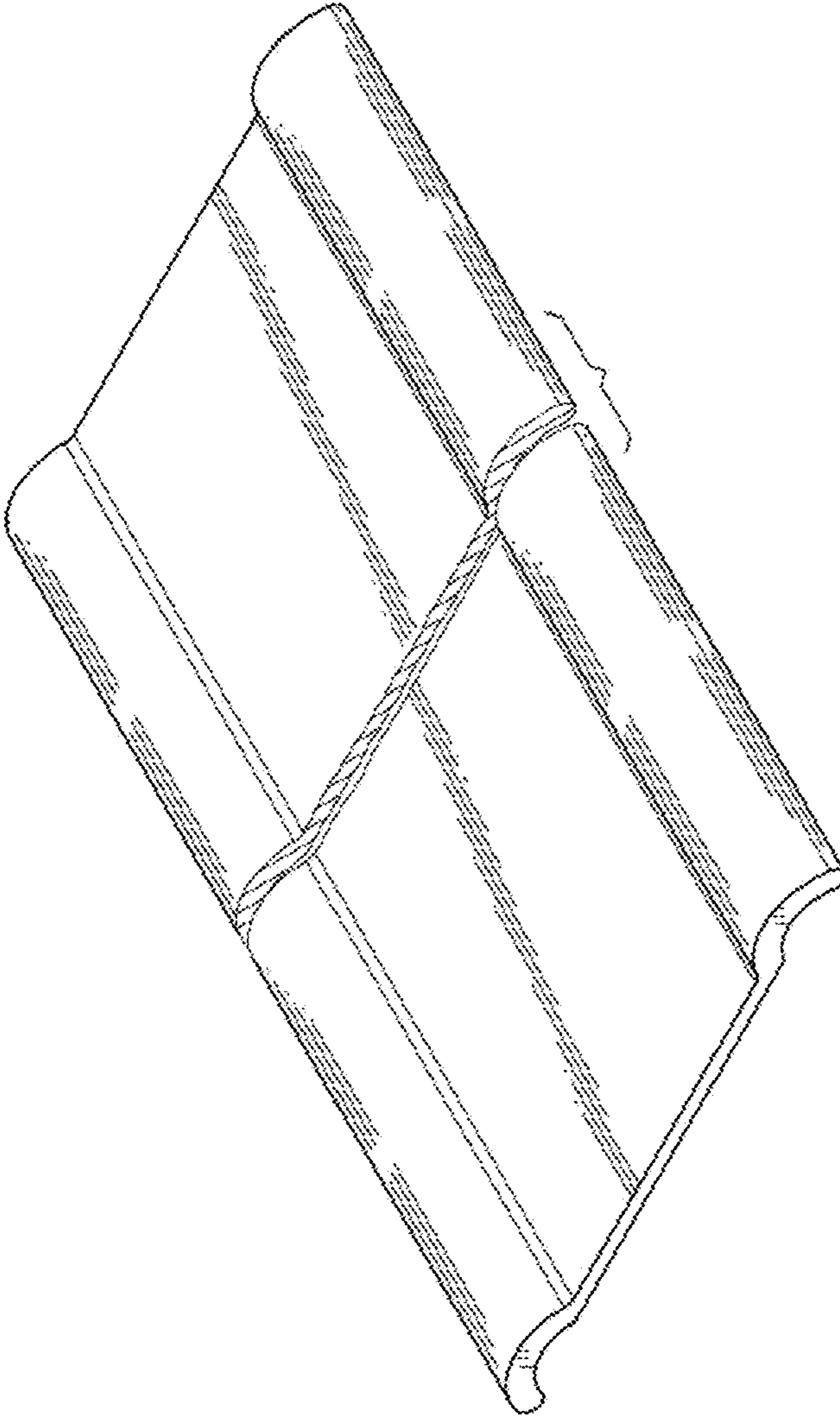


FIG. 1

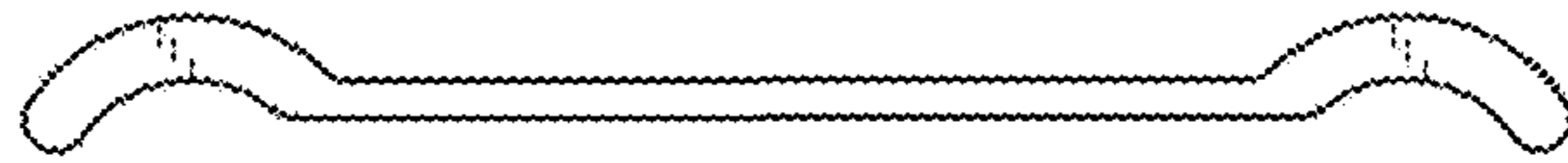


FIG. 2

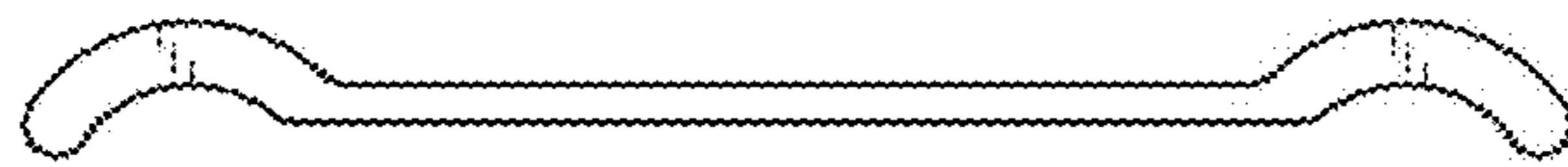


FIG. 3

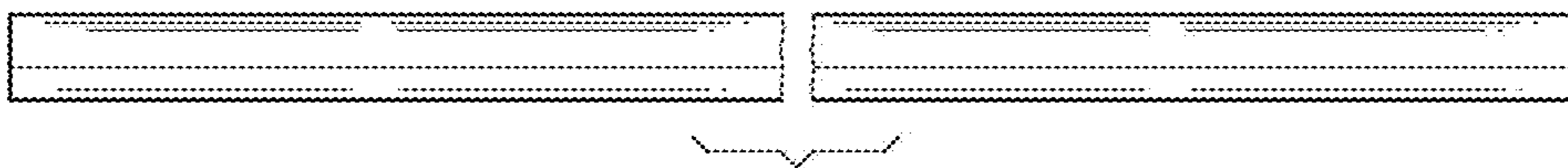


FIG. 4



FIG. 5

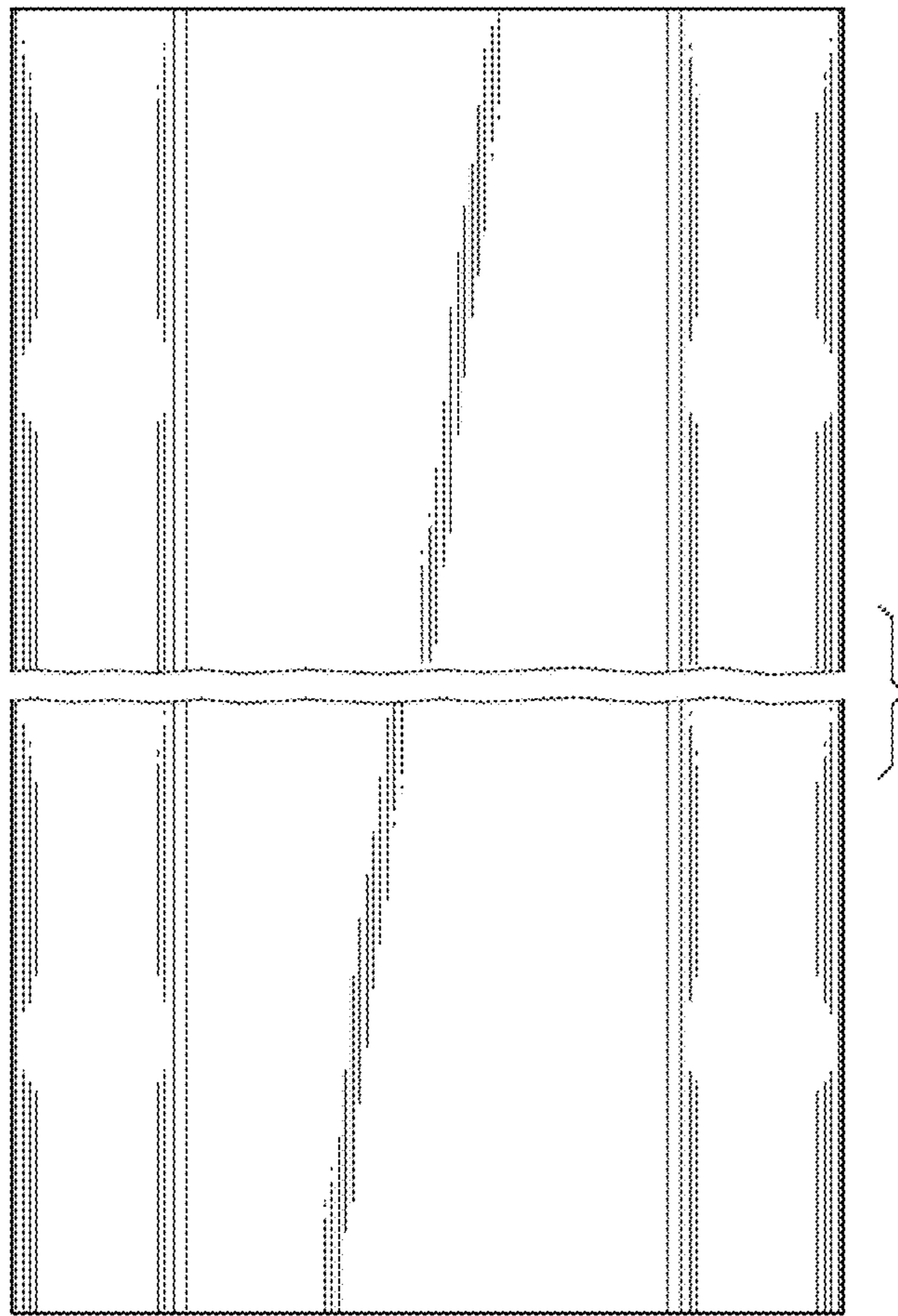


FIG. 6

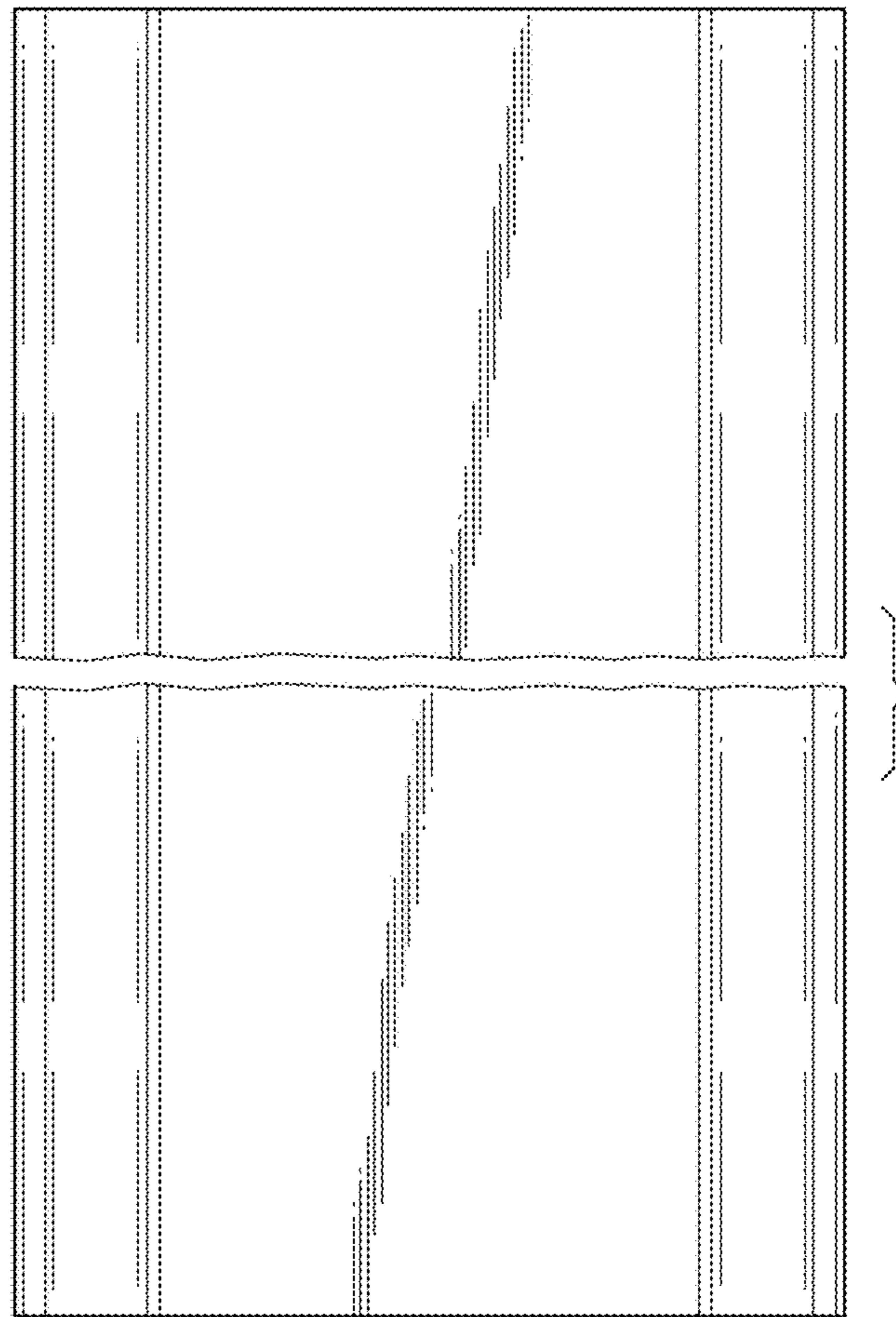


FIG. 7