



US00D863817S

(12) **United States Design Patent**  
**Chien**

(10) **Patent No.:** **US D863,817 S**

(45) **Date of Patent:** **\*\* Oct. 22, 2019**

(54) **CADDY**

(71) Applicant: **EP Family Corp.**, Walnut, CA (US)

(72) Inventor: **Peiling Chang Chien**, Walnut, CA (US)

(\*\*) Term: **15 Years**

(21) Appl. No.: **29/668,124**

(22) Filed: **Oct. 27, 2018**

(51) **LOC (12) Cl.** ..... **06-04**

(52) **U.S. Cl.**  
USPC ..... **D6/566**

(58) **Field of Classification Search**  
USPC ..... D6/566, 525, 553, 524, 536, 540;  
211/13.1, 74, 71.01, 86.01, 75, 126.1,  
211/133.5, 181.1, 134  
CPC ..... A47K 17/00; A47K 3/281; A47K 3/001;  
B23P 17/04; A47B 57/265; A47B 57/565;  
A47B 57/26  
See application file for complete search history.

(56) **References Cited**

**U.S. PATENT DOCUMENTS**

D449,480 S \* 10/2001 Snell ..... D6/525  
D450,213 S \* 11/2001 Snell ..... D6/566

D612,648 S \* 3/2010 Guindi ..... D6/525  
D635,383 S \* 4/2011 Yang ..... D6/525  
D757,460 S \* 5/2016 Goodman ..... D6/566  
D808,603 S \* 1/2018 Yuan ..... D32/55  
D832,614 S \* 11/2018 Jun ..... D6/566

\* cited by examiner

*Primary Examiner* — Wan Laymon  
*Assistant Examiner* — Mark Booker  
(74) *Attorney, Agent, or Firm* — Tommy S F Wang;  
Wang IP Law Group, P.C.

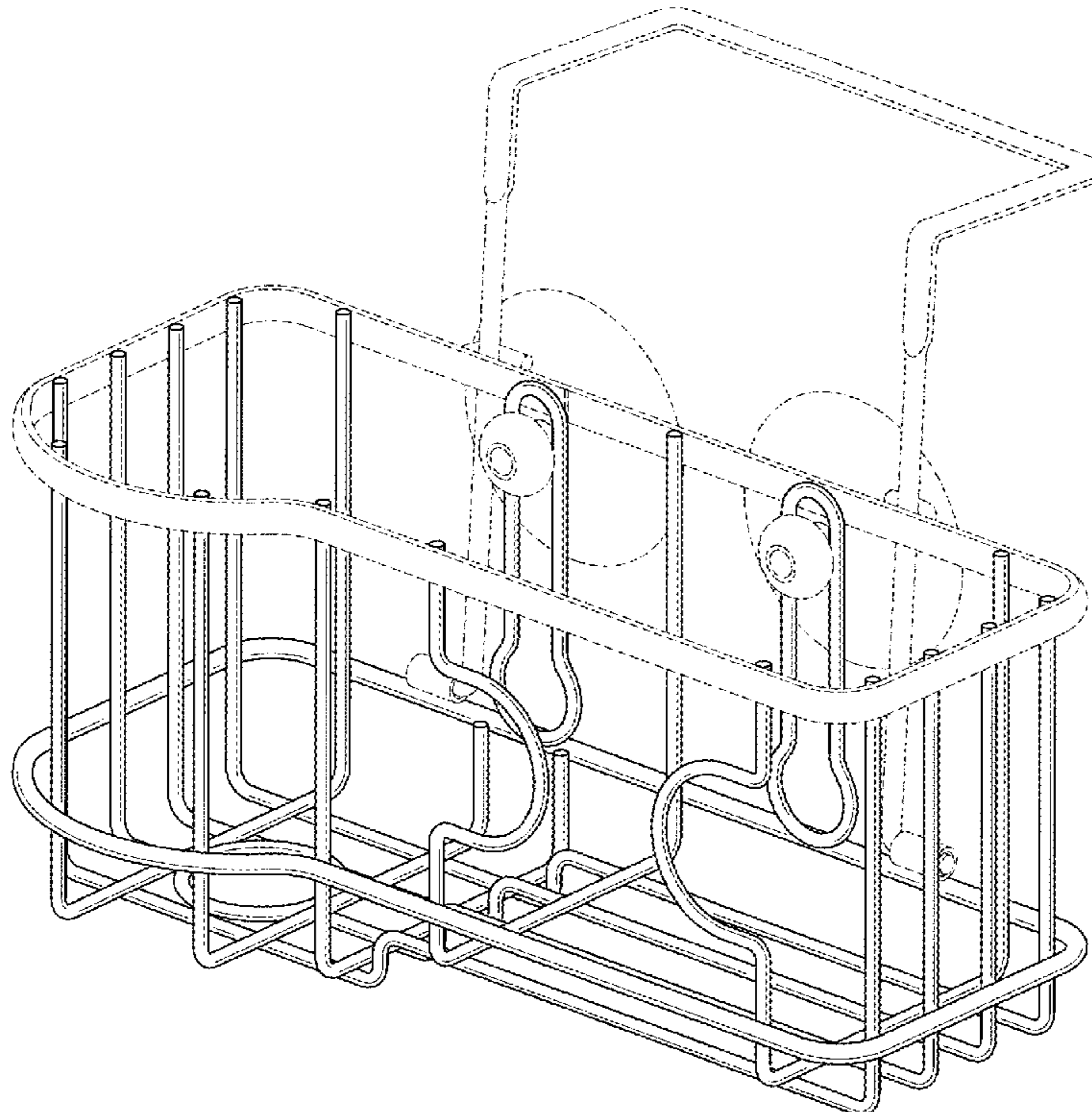
(57) **CLAIM**

The ornamental design for a caddy, as shown and described.

**DESCRIPTION**

FIG. 1 is a perspective view of a caddy with a support showing my new design;  
FIG. 2 is a front view thereof;  
FIG. 3 is a rear view thereof;  
FIG. 4 is a left side view thereof;  
FIG. 5 is a right side view thereof;  
FIG. 6 is a top view thereof;  
FIG. 7 is a bottom view thereof; and,  
FIG. 8 is another perspective view of the caddy with another support.  
The broken lines shown in the figures represent portions of the caddy that form no part of the claimed design.

**1 Claim, 8 Drawing Sheets**



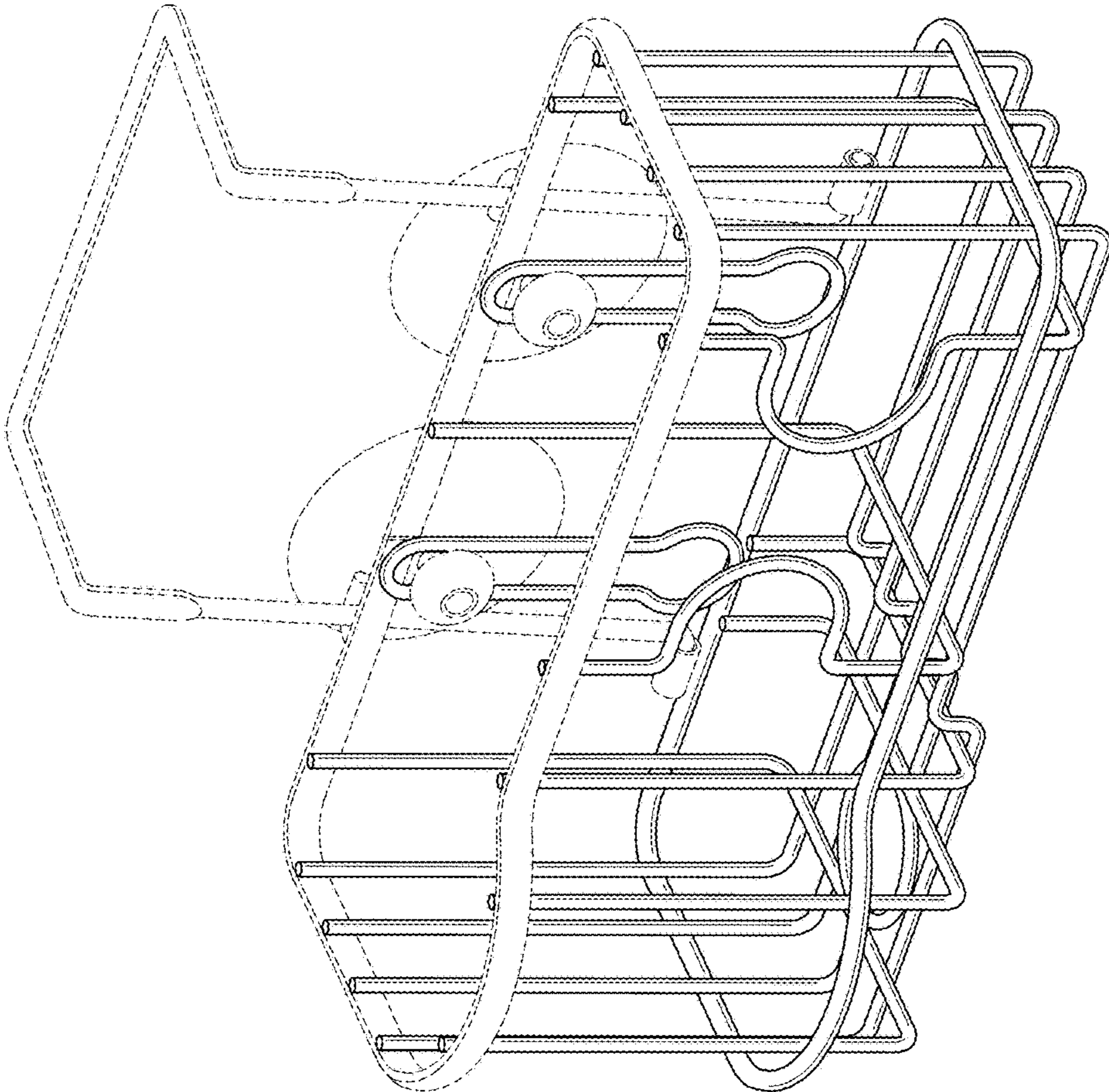


FIG. 1

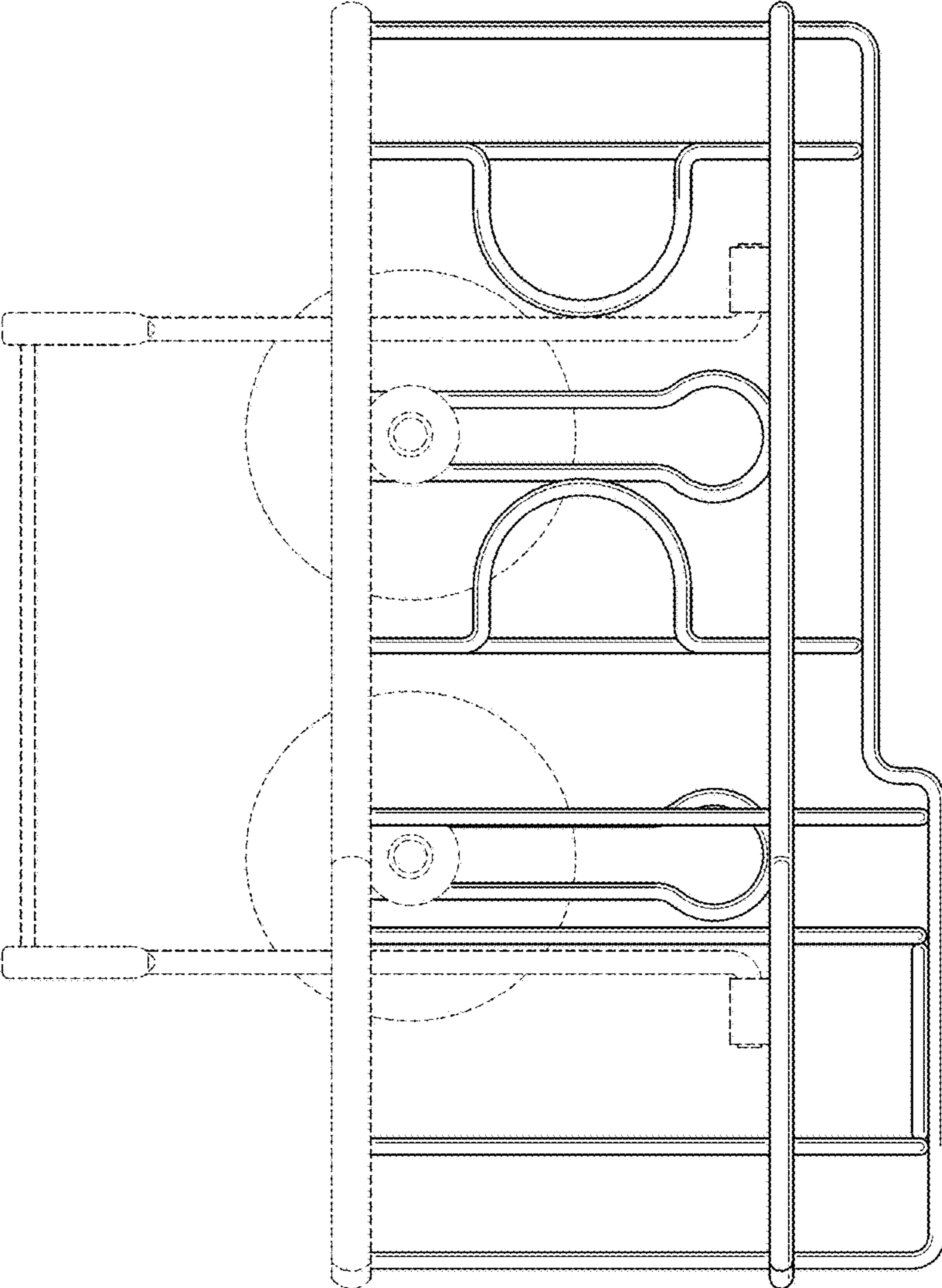


FIG. 2

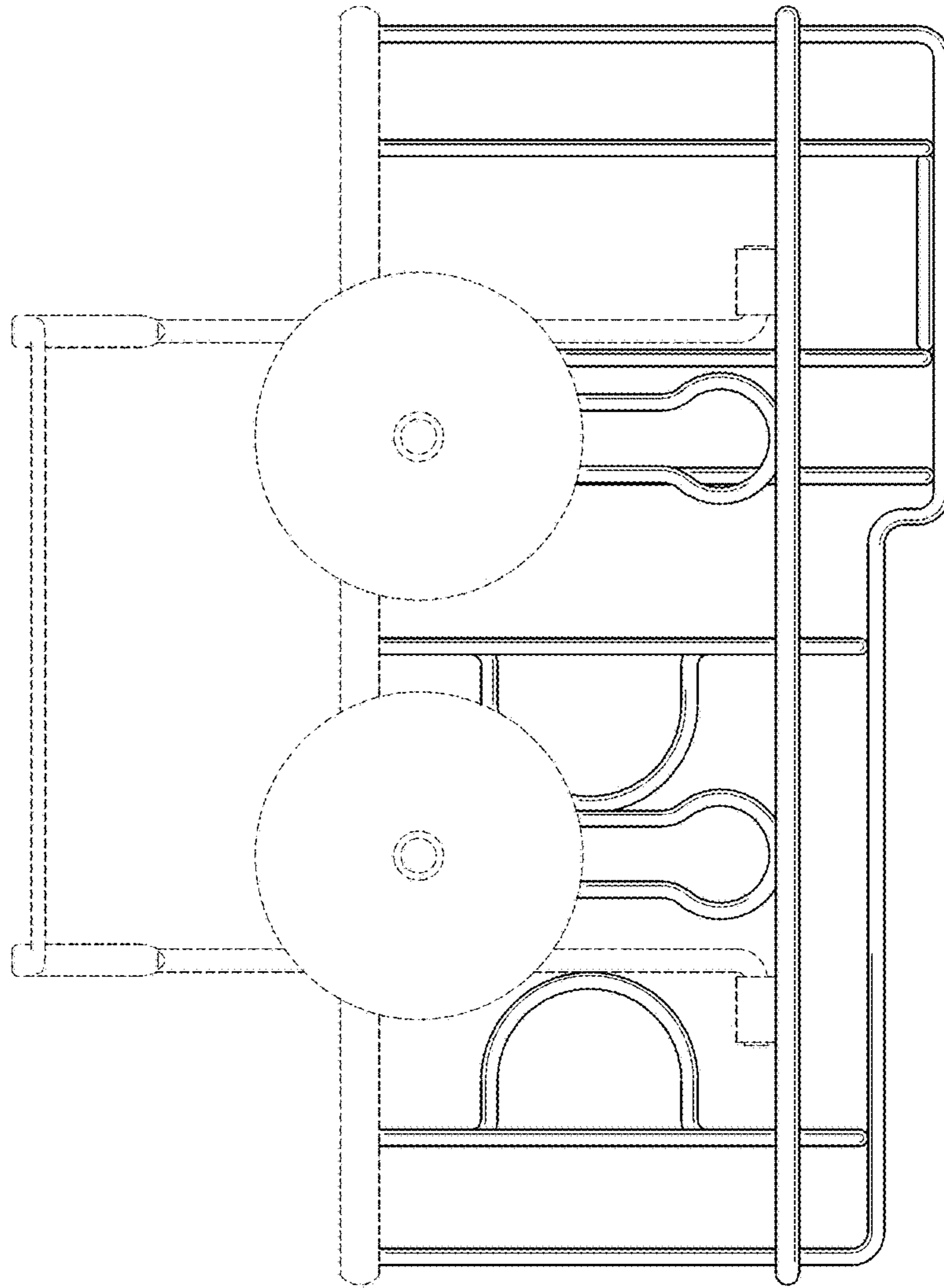


FIG. 3

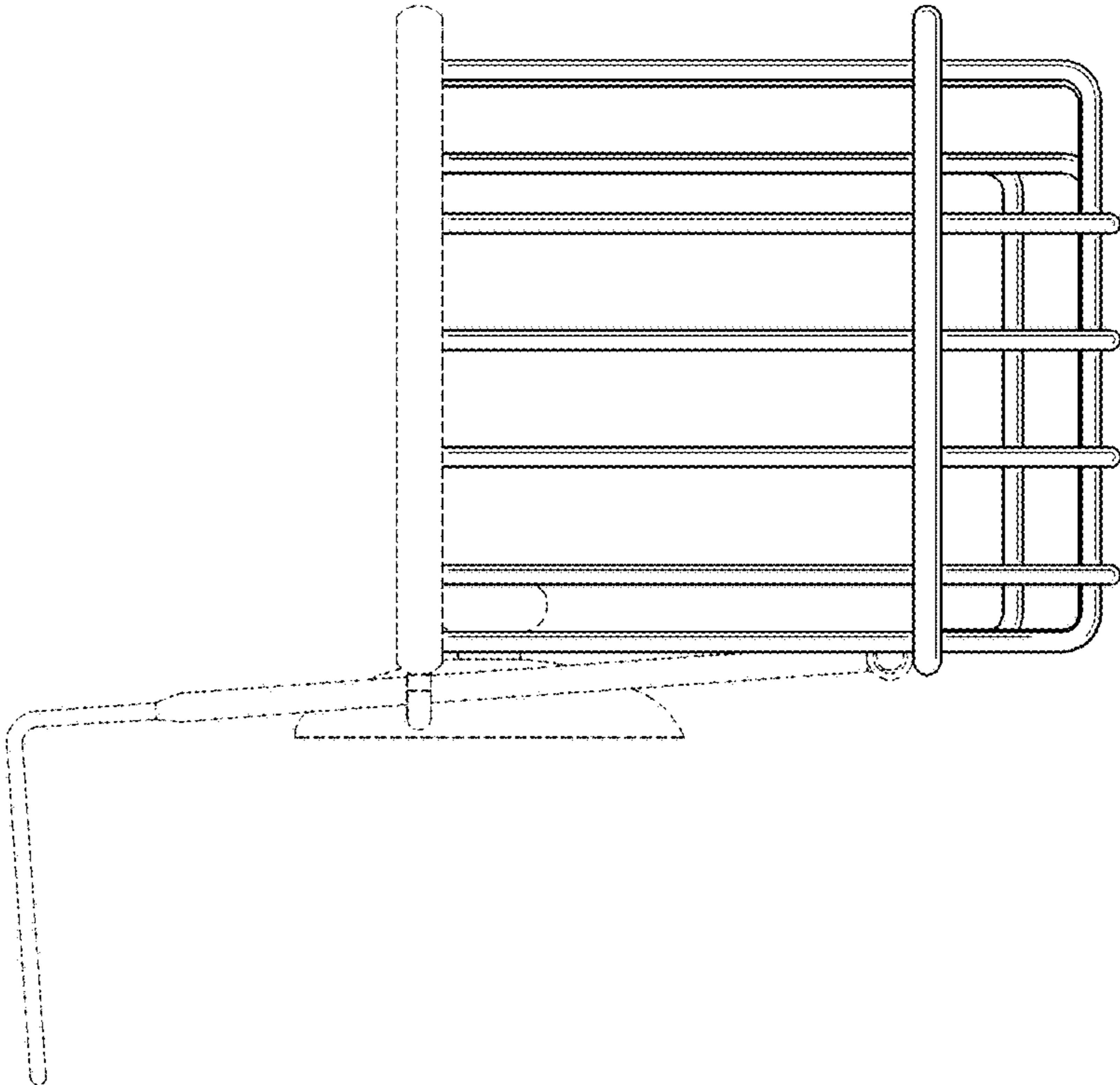


FIG. 4

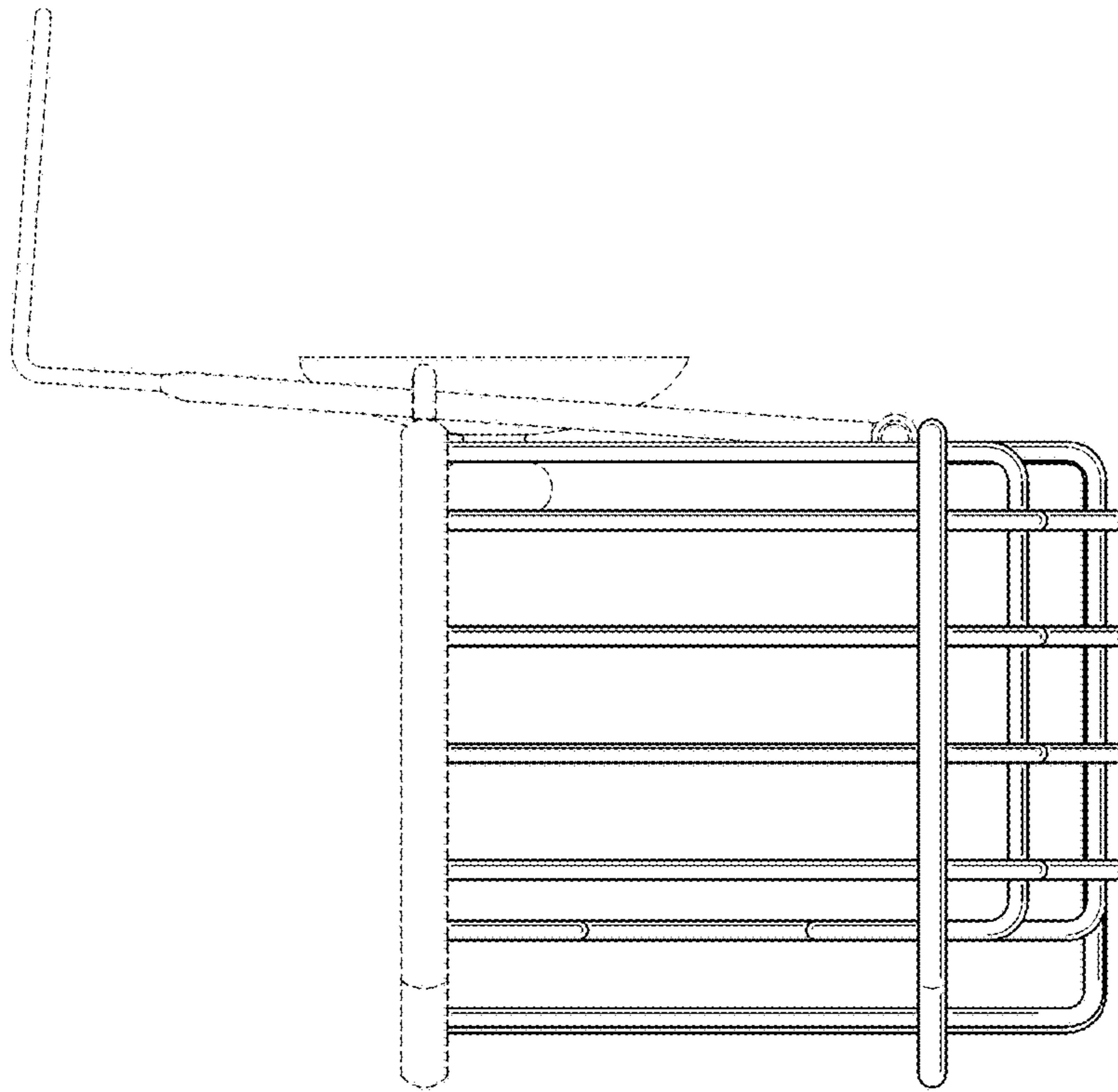


FIG. 5

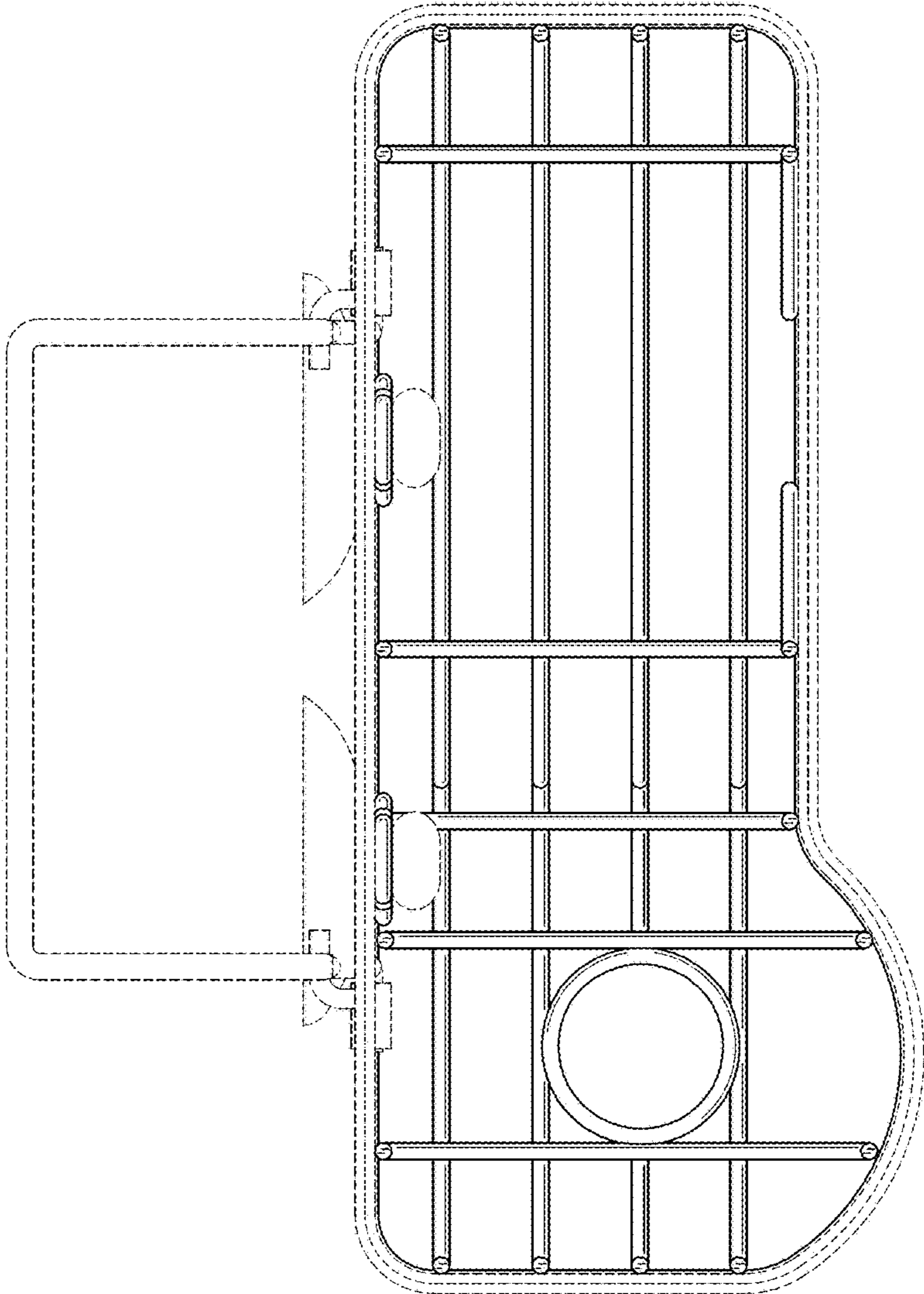


FIG. 6

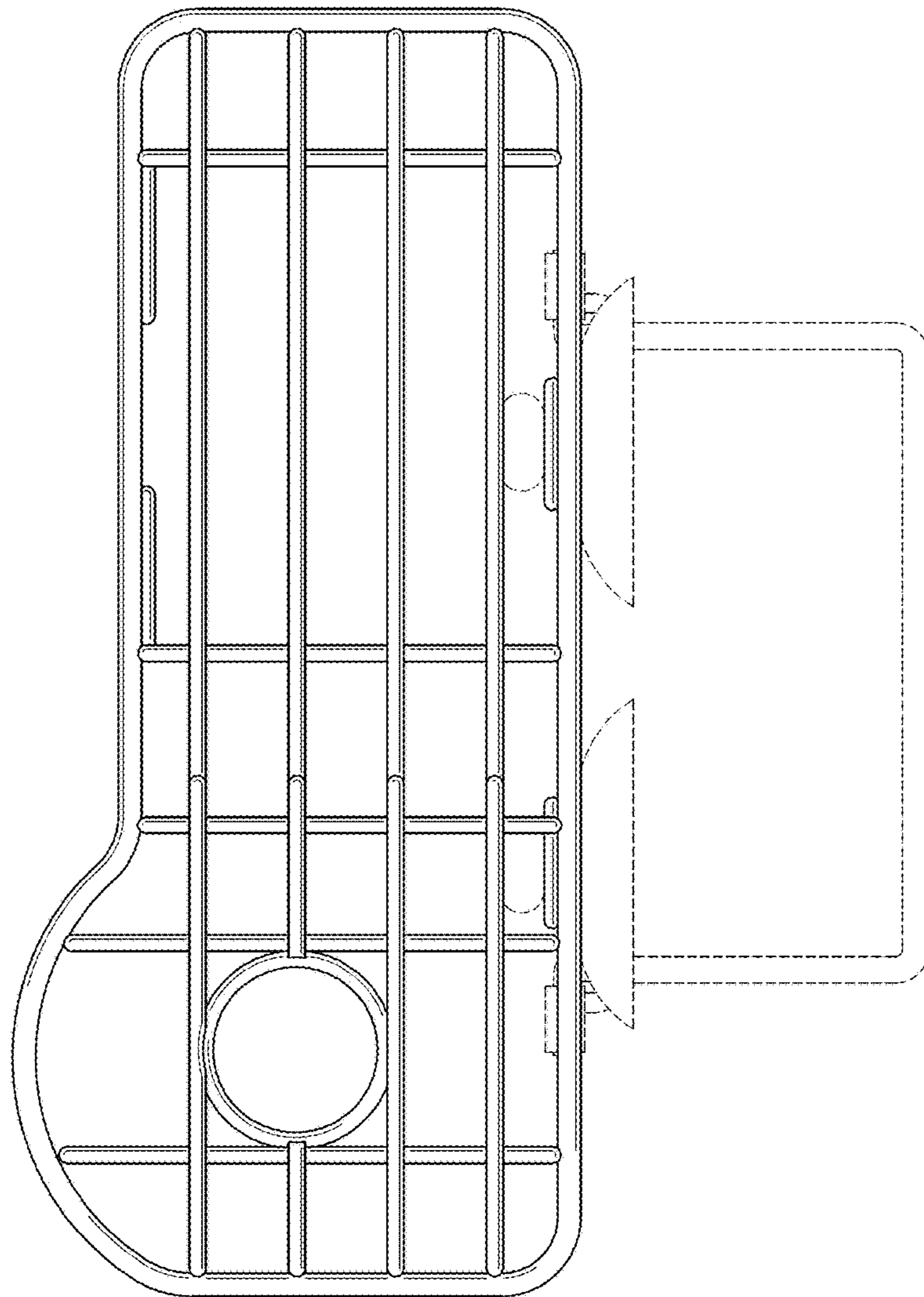


FIG. 7



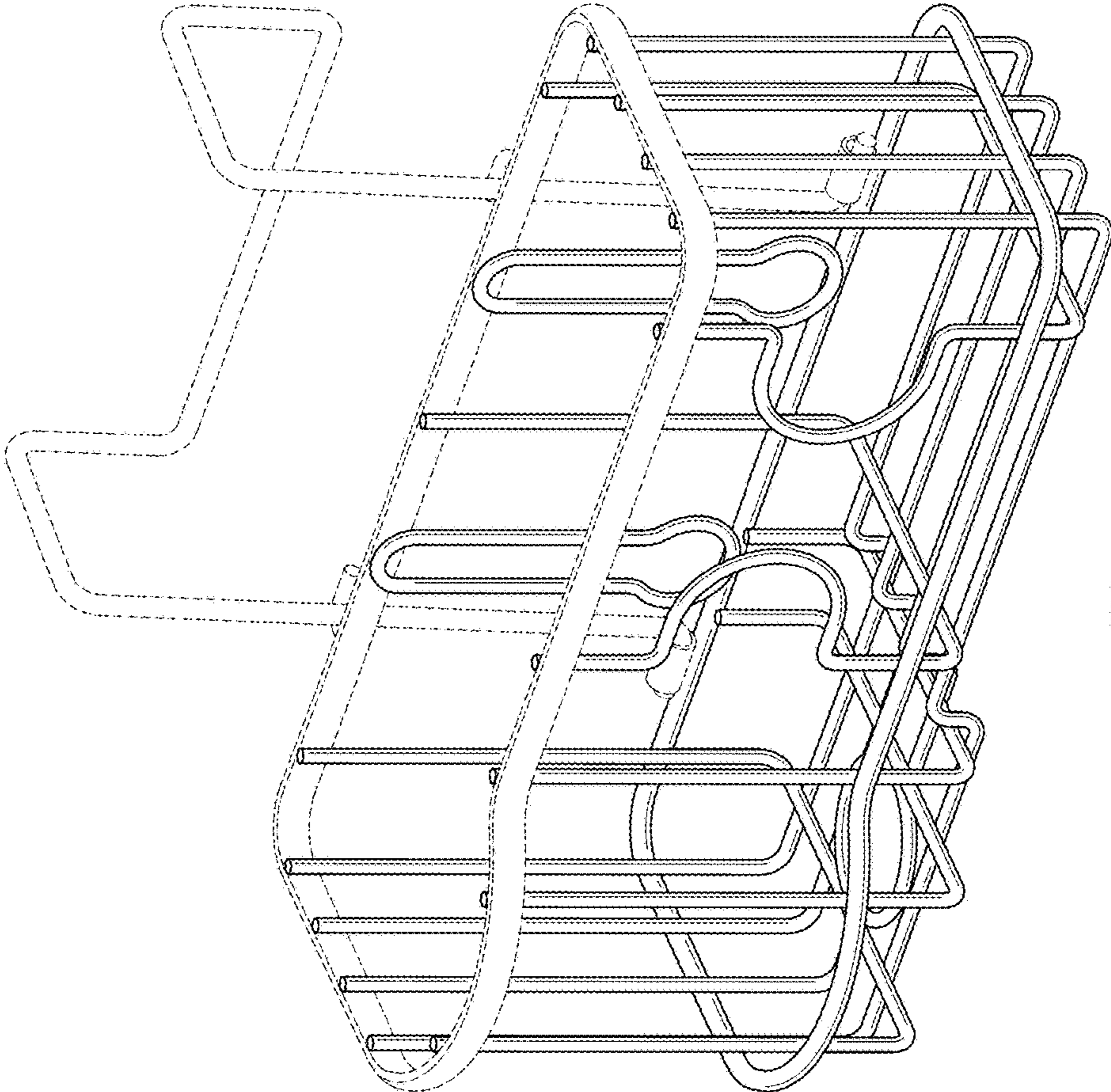


FIG. 8