



US00D863816S

(12) **United States Design Patent**
Tuang

(10) **Patent No.:** **US D863,816 S**

(45) **Date of Patent:** **** Oct. 22, 2019**

(54) **CADDY**

(71) Applicant: **EP Family Corp.**, Walnut, CA (US)

(72) Inventor: **Bao-Yi Tuang**, Walnut, CA (US)

(**) Term: **15 Years**

(21) Appl. No.: **29/666,540**

(22) Filed: **Oct. 13, 2018**

(51) **LOC (12) Cl.** **06-04**

(52) **U.S. Cl.**
USPC **D6/566**

(58) **Field of Classification Search**
USPC D6/566, 525, 553, 524, 536, 540;
211/13.1, 74, 71.01, 86.01, 75, 126.1,
211/133.5, 181.1, 134
CPC A47K 17/00; A47K 3/281; A47K 3/001;
B23P 17/04; A47B 57/265; A47B 57/565;
A47B 57/26

See application file for complete search history.

(56) **References Cited**

U.S. PATENT DOCUMENTS

D449,480 S * 10/2001 Snell D6/525
D450,213 S * 11/2001 Snell D6/566

D612,648 S * 3/2010 Guindi D6/525
D635,383 S * 4/2011 Yang D6/525
D757,460 S * 5/2016 Goodman D6/566
D808,603 S * 1/2018 Yuan D32/55
D832,614 S * 11/2018 Jun D6/566

* cited by examiner

Primary Examiner — Wan Laymon

Assistant Examiner — Mark Booker

(74) *Attorney, Agent, or Firm* — Tommy SF Wang; Wang IP Law Group, P.C.

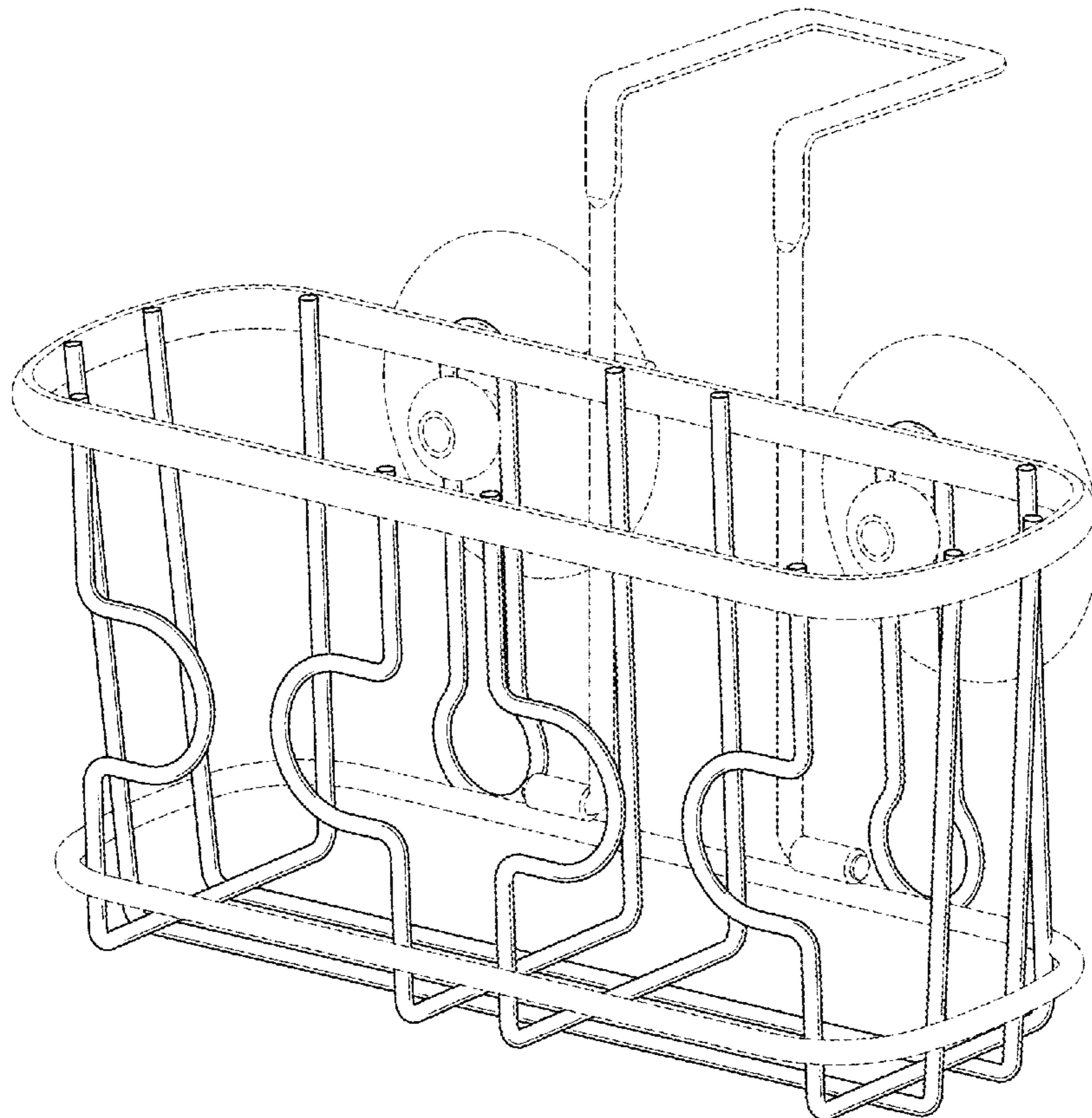
(57) **CLAIM**

The ornamental design for a caddy, as shown and described.

DESCRIPTION

FIG. 1 is a perspective view of a caddy showing my new design;
FIG. 2 is a front view thereof;
FIG. 3 is a rear view thereof;
FIG. 4 is a left side view thereof;
FIG. 5 is a right side view thereof;
FIG. 6 is a top view thereof; and,
FIG. 7 is a bottom view thereof.
The broken lines shown in the figures represent portions of the caddy that form no part of the claimed design.

1 Claim, 7 Drawing Sheets



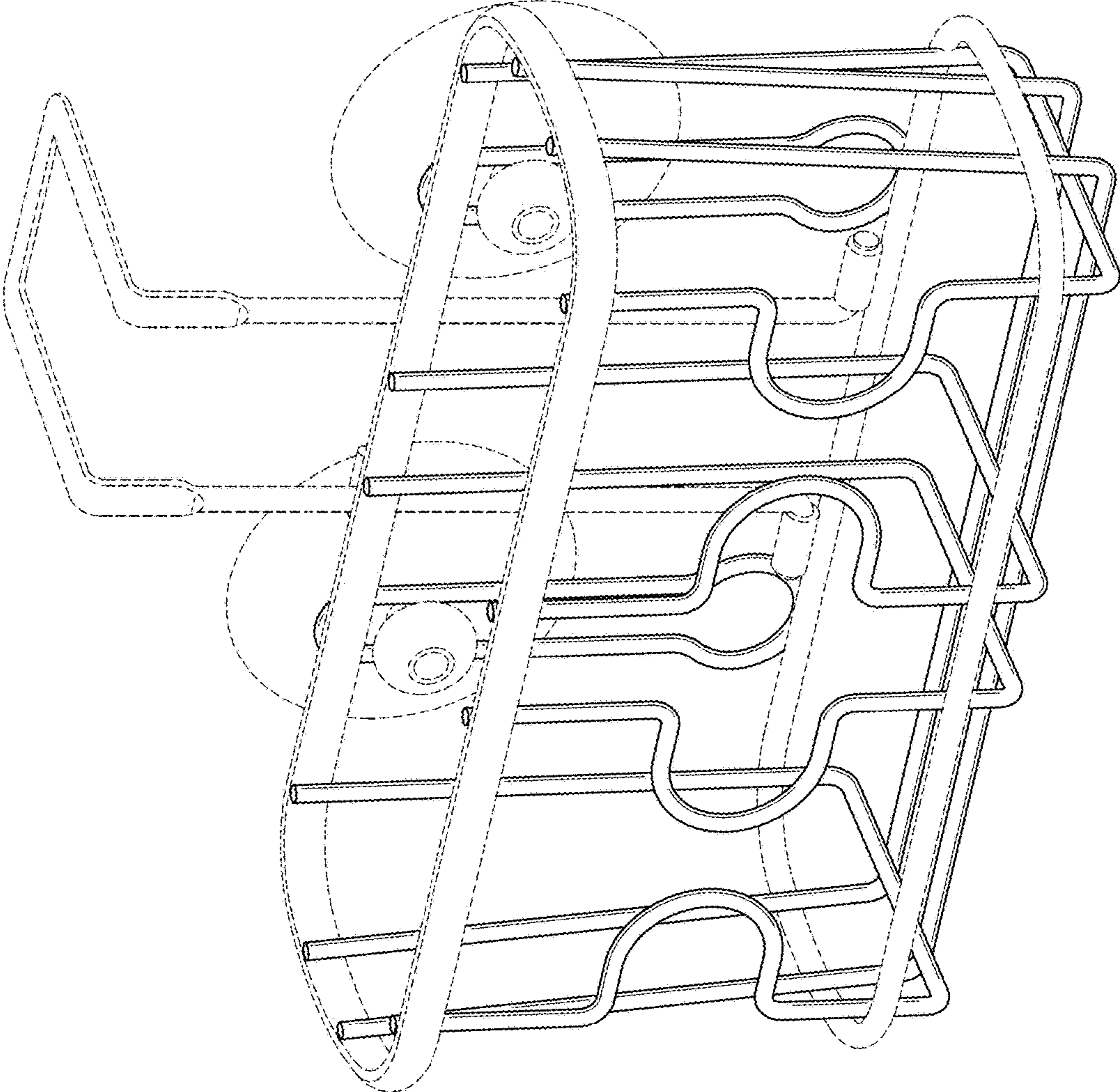


FIG. 1

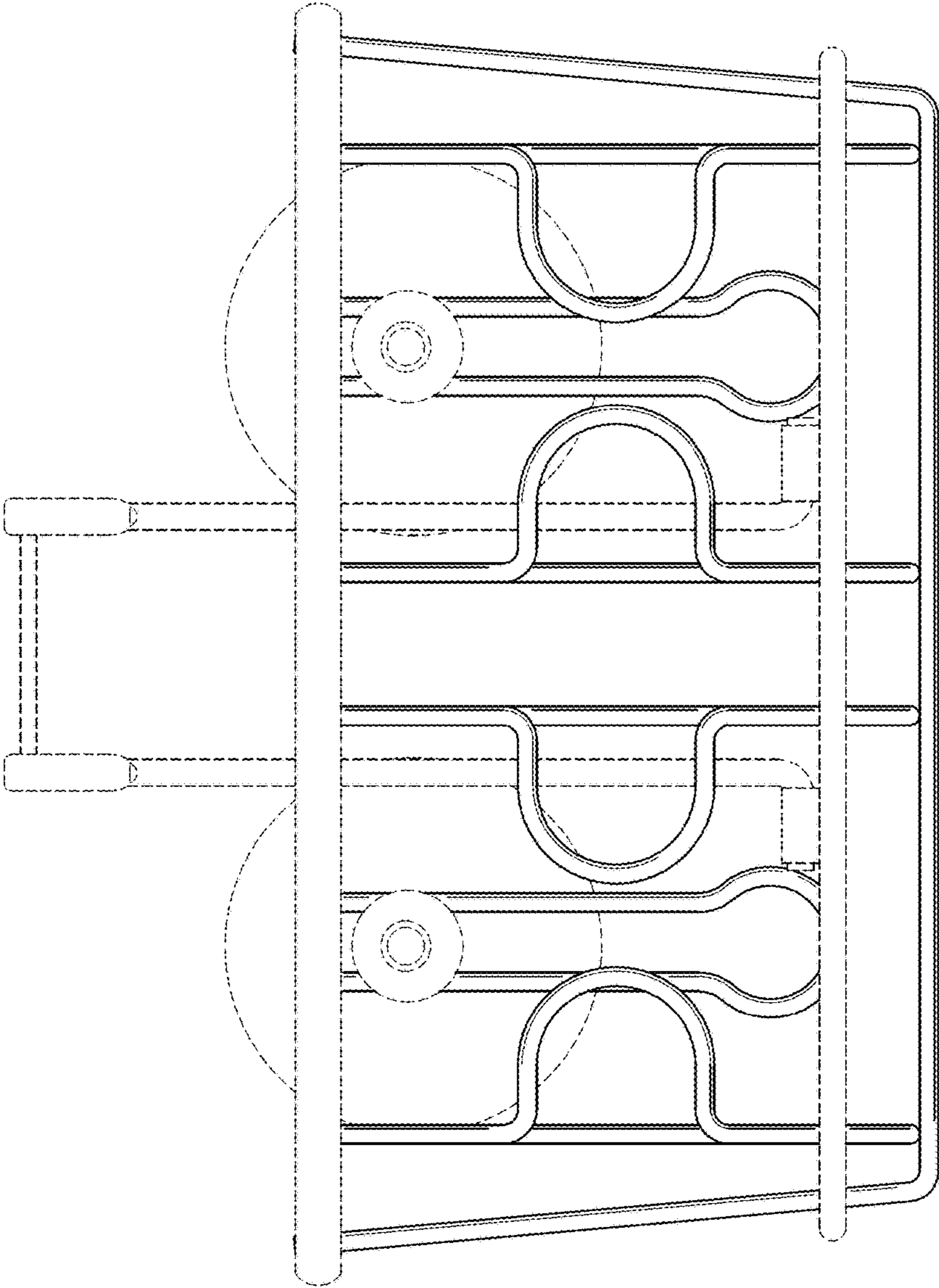


FIG. 2

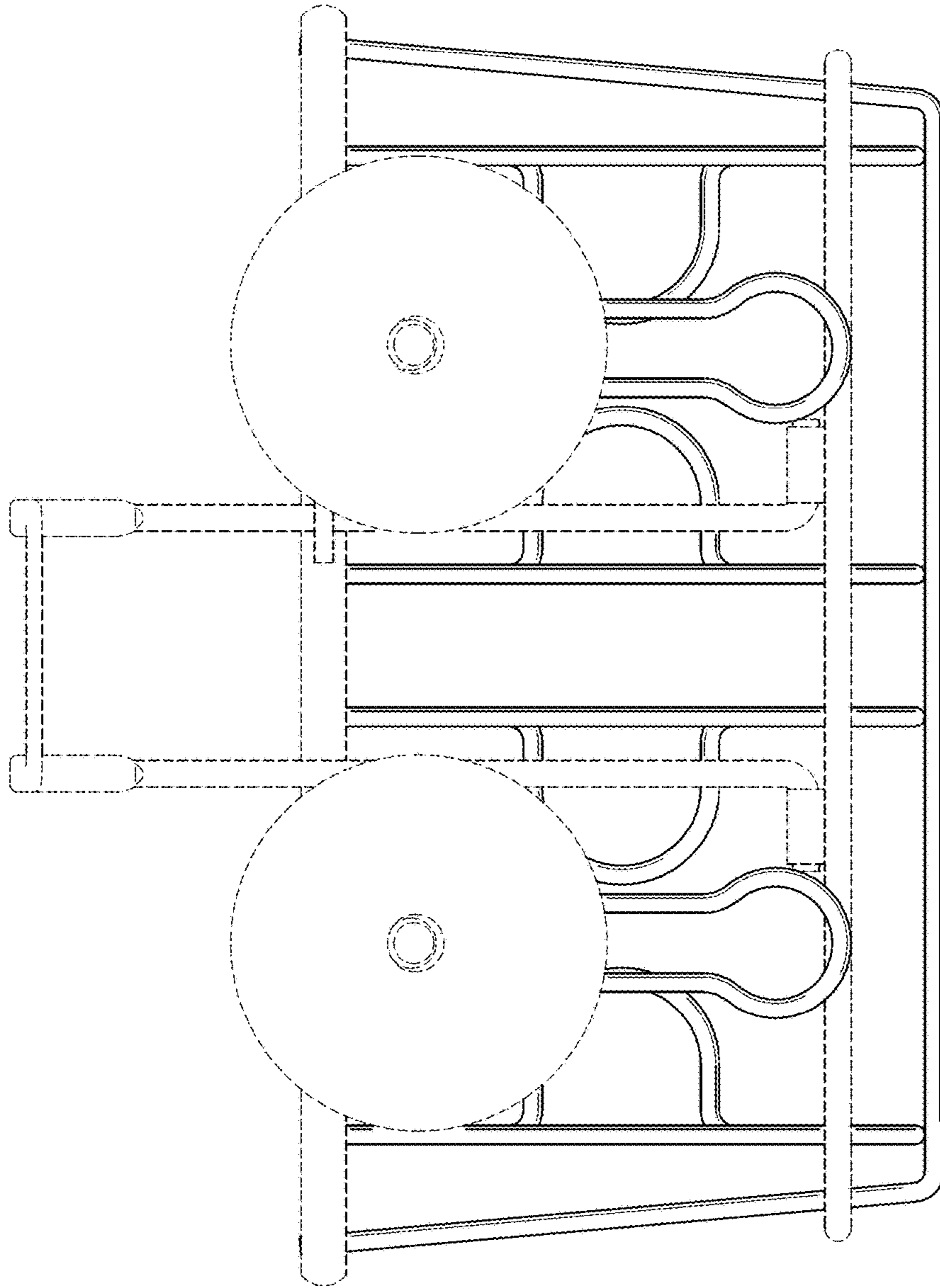


FIG. 3

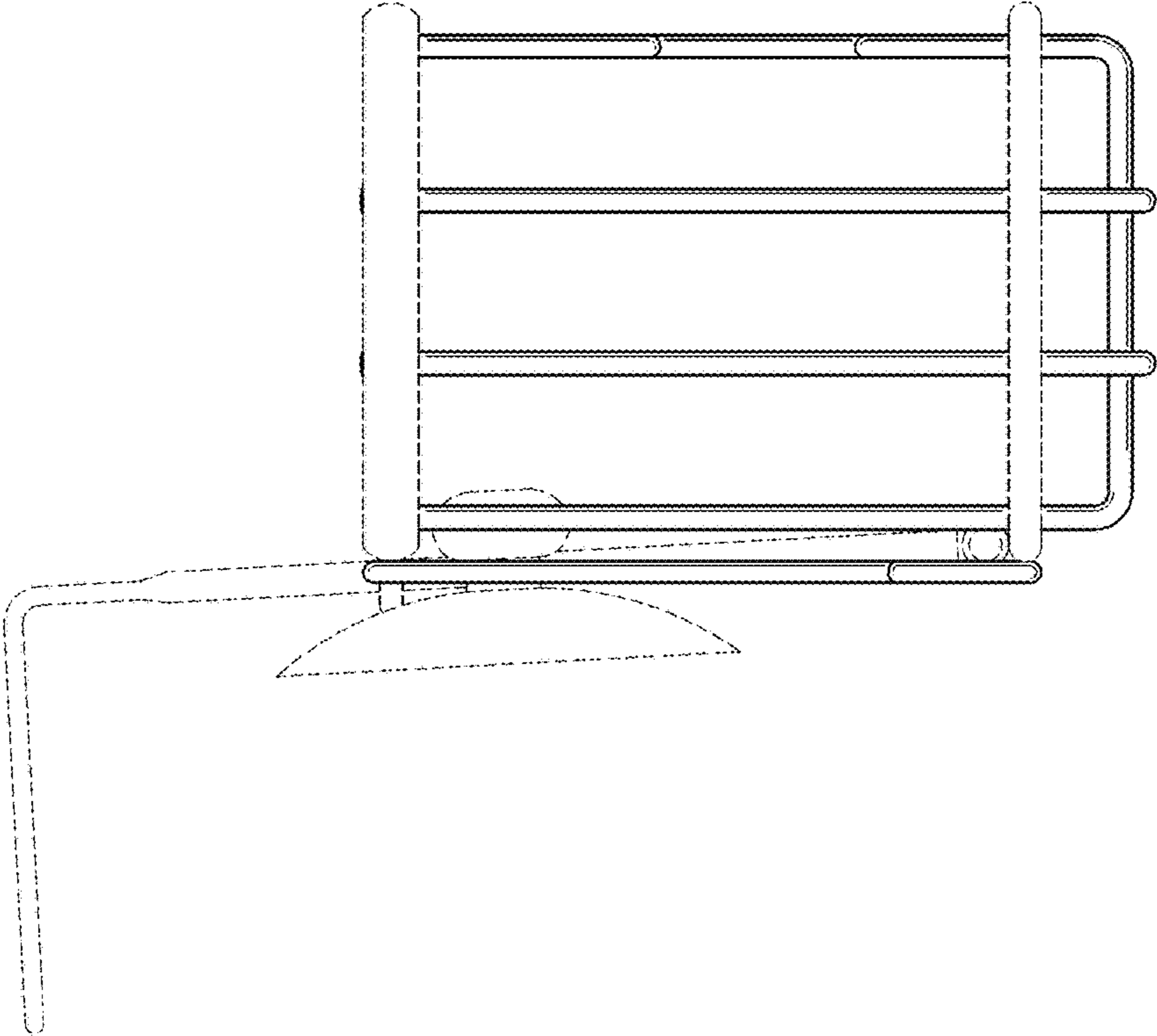


FIG. 4

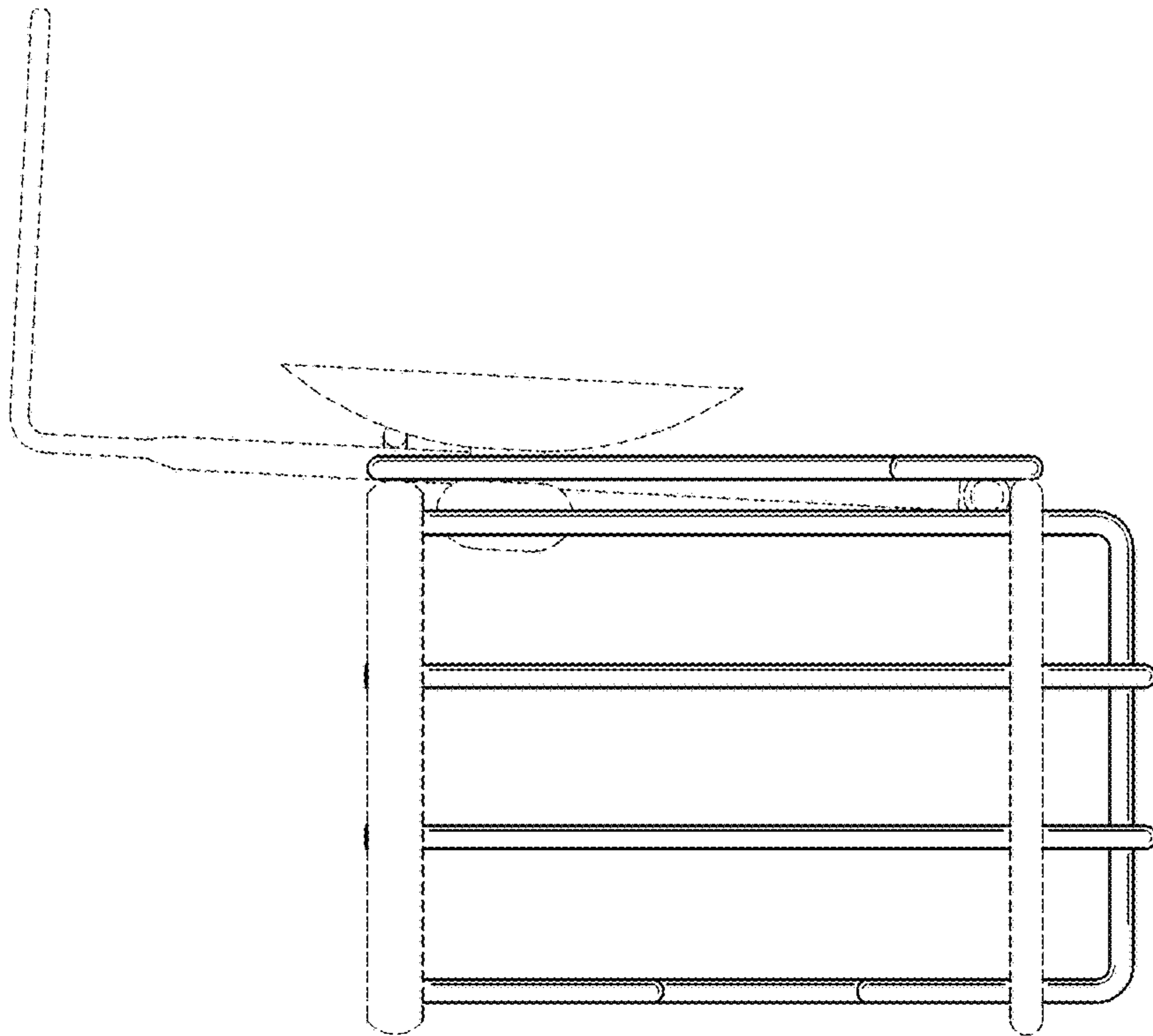


FIG. 5

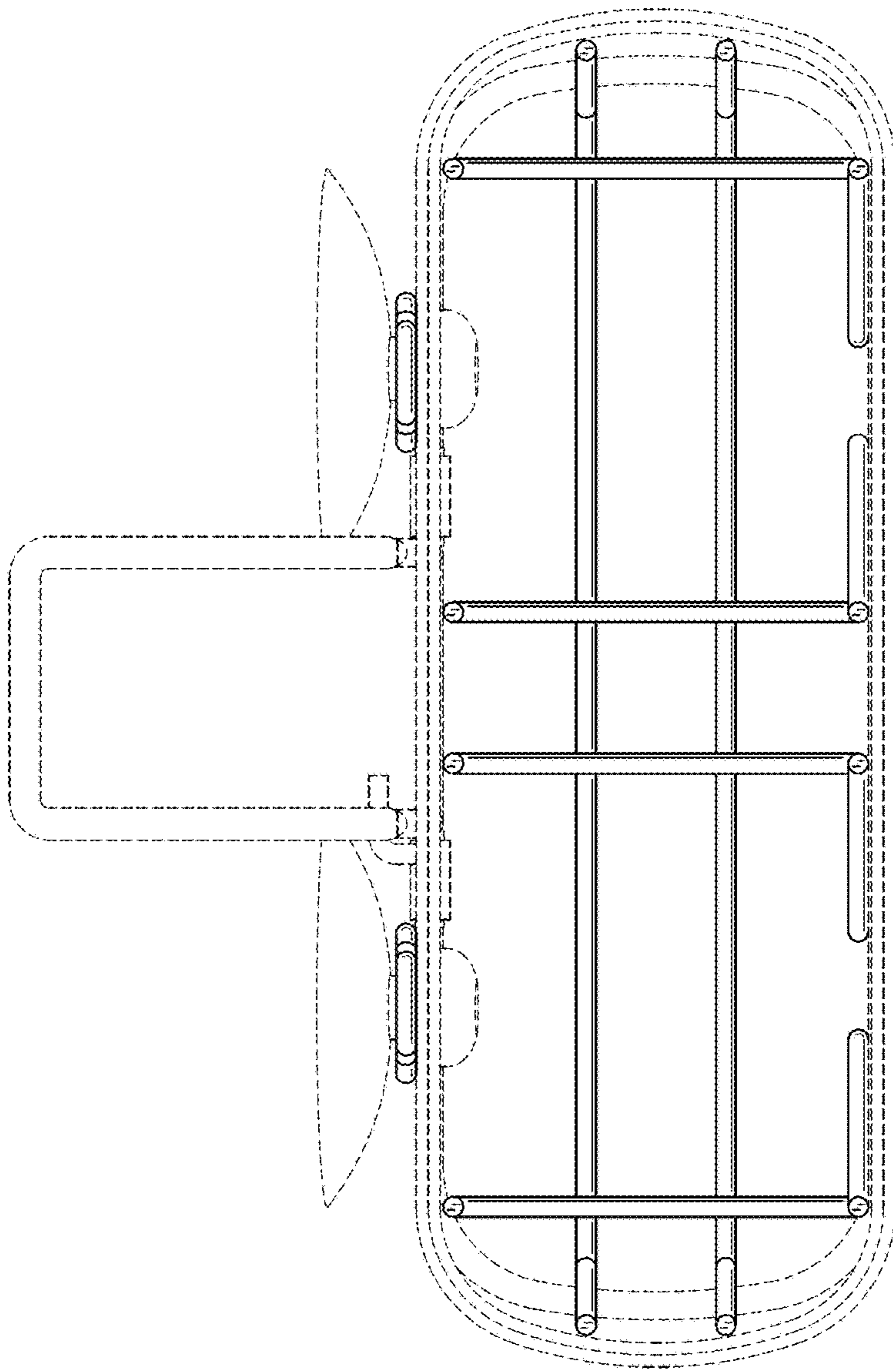


FIG. 6

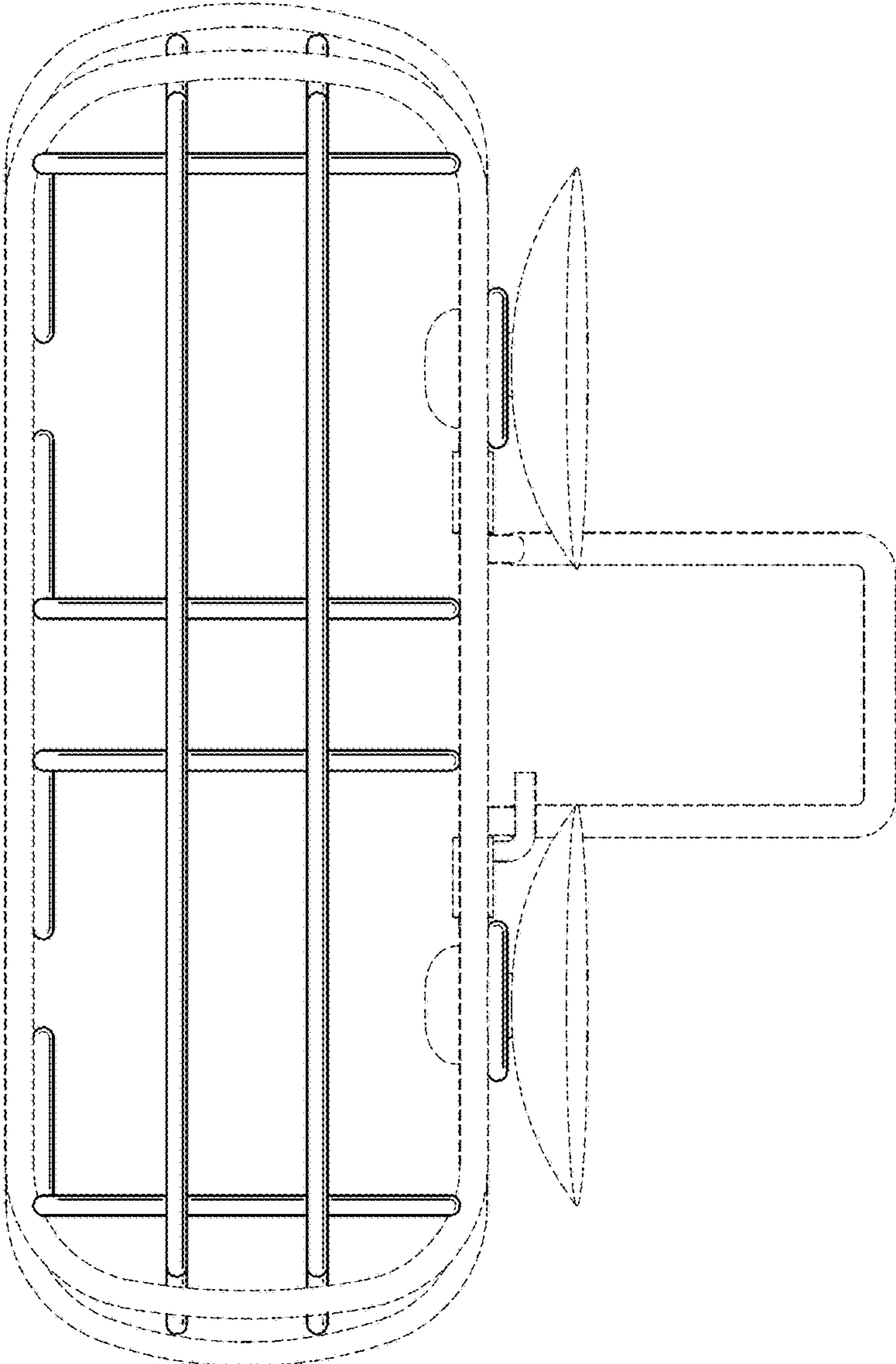


FIG. 7