



US00D863814S

(12) **United States Design Patent** (10) **Patent No.:** **US D863,814 S**
Anfossi (45) **Date of Patent:** **** Oct. 22, 2019**

(54) **DISPENSER**

(56)

References Cited

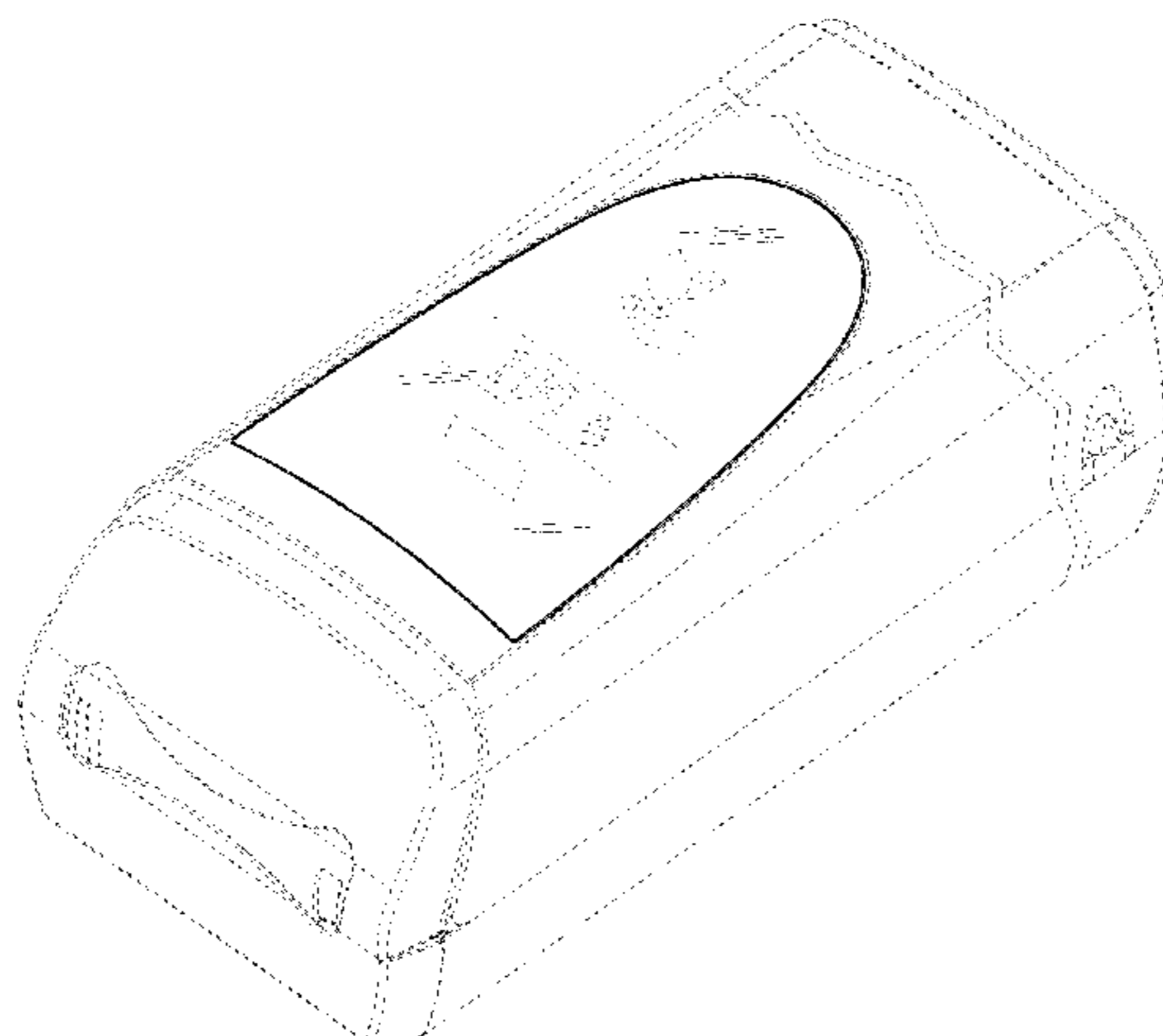
- (71) Applicant: **CASCADES CANADA ULC**,
Montreal (CA)
- (72) Inventor: **Alessandro Anfossi**, Caponago (IT)
- (73) Assignee: **CASCADES CANADA ULC**,
Montreal (CA)
- (**) Term: **15 Years**
- (21) Appl. No.: **29/659,962**
- (22) Filed: **Aug. 14, 2018**

U.S. PATENT DOCUMENTS

3,747,802 A	7/1973	Uroshevich
4,491,242 A	1/1985	Trinidad
5,090,592 A	2/1992	Petterson et al.
5,100,020 A	3/1992	Petterson et al.
5,102,007 A	4/1992	Petterson et al.
5,156,293 A	10/1992	Petterson et al.
D331,515 S	12/1992	Petterson et al.
D369,249 S	4/1996	Loew
D414,085 S	9/1999	Campbell
D429,933 S	8/2000	Phelps et al.
D436,298 S	1/2001	Tramontina
D443,485 S	6/2001	Tramontina
D444,352 S	7/2001	Tramontina et al.
D444,353 S	7/2001	Tramontina
D444,354 S	7/2001	Tramontina
D444,355 S	7/2001	Tramontina et al.
D444,681 S	7/2001	Tramontina
D445,002 S	7/2001	Tramontina et al.
D445,003 S	7/2001	Tramontina et al.
D445,651 S	7/2001	Tramontina
D445,652 S	7/2001	Tramontina
D446,086 S	8/2001	Tramontina
D448,252 S	9/2001	Tramontina et al.
D449,496 S	10/2001	Tramontina
6,302,350 B1	10/2001	Burrell et al.
D450,542 S	11/2001	Tramontina
D451,349 S	12/2001	Tramontina et al.
D451,770 S	12/2001	Tramontina
6,334,544 B1	1/2002	Christensen et al.
D455,615 S	4/2002	Tramontina
D463,183 S	9/2002	Tramontina
D463,184 S	9/2002	Tramontina et al.
D463,929 S	10/2002	Fitzsimmons et al.
D475,226 S	6/2003	Wagner
6,575,329 B2	6/2003	Clark
6,585,129 B2	7/2003	Moody et al.
6,588,626 B2	7/2003	Sauer et al.
6,622,888 B2	9/2003	Boone et al.
6,644,501 B2	11/2003	Iida
D493,312 S	7/2004	Collins et al.
6,758,369 B2	7/2004	Morin et al.
6,817,483 B2	11/2004	Kohne et al.
6,817,484 B2	11/2004	Morin et al.
6,874,653 B2	4/2005	Boone et al.
6,892,898 B1	5/2005	Boone et al.
6,899,251 B2	5/2005	Christensen et al.
6,905,025 B2	6/2005	Morin
D507,138 S	7/2005	Hochtritt et al.
6,929,147 B2	8/2005	Guillemette et al.

Related U.S. Application Data

- (62) Division of application No. 29/602,981, filed on May 5, 2017, now Pat. No. Des. 836,939.
- (51) **LOC (12) Cl.** **09-01**
- (52) **U.S. Cl.**
USPC **D6/512**
- (58) **Field of Classification Search**
USPC D6/512, 515-516, 517, 518, 519-523;
D19/67, 134; 206/225, 233, 389, 391,
206/205, 210, 216, 395, 494, 581, 812;
211/13.1, 45; 222/80, 101, 173, 179.5,
222/180, 575; 221/26, 33, 43, 61,
221/282-283, 36, 45, 46, 47, 48, 52, 199,
221/255, 259, 305, 309; 242/270, 590;
248/309.1, 309.2, 905; 225/93, 106;
D3/201, 304, 315; D7/601, 602, 631;
D9/414, 424, 430, 431, 499, 730, 734
CPC A47F 7/021; A47F 5/05; A47F 7/00; A47F
1/126; A47F 7/163; A47F 13/08; A47K
10/40; A47K 10/3836; A47K 10/16;
A47K 2010/3266; A47K 10/42; A47K
10/426; B66D 1/7442; B65D 85/00;
B65D 81/00; B65D 81/22; B65D
83/0805; G07F 11/00
See application file for complete search history.



US D863,814 S

6,981,610 B2 *	1/2006	Smiley	A47K 10/427 221/33
6,988,635 B2	1/2006	Hochtritt et al.	
D522,781 S	6/2006	Wieser et al.	
D523,669 S	6/2006	Wieser et al.	
D524,084 S	7/2006	Wieser et al.	
D526,165 S	8/2006	Burns et al.	
7,134,571 B2	11/2006	Hochtritt et al.	
7,134,572 B2	11/2006	Morin	
7,204,390 B2	4/2007	Widlund	
D550,008 S	9/2007	Hager et al.	
D552,428 S	10/2007	Zeiron	
7,341,166 B2	3/2008	Reinsel et al.	
D571,159 S	6/2008	Pommier et al.	
D576,824 S	9/2008	Eksrom	
D579,249 S	10/2008	Omdoll et al.	
D579,702 S	11/2008	McArdle	
D590,213 S	4/2009	Young et al.	
7,546,934 B2	6/2009	Reinsel et al.	
7,611,765 B2	11/2009	Hochtritt et al.	
D604,997 S	12/2009	Kuehneman et al.	
D605,442 S	12/2009	Elhalwani	
7,648,045 B2	1/2010	Christensen et al.	
7,661,553 B2	2/2010	Zeiron	
D624,340 S	9/2010	Benedetti	
D626,362 S	11/2010	Martin	
7,837,057 B2	11/2010	Zeiron	
D630,873 S	1/2011	Kuehneman et al.	
D647,742 S	11/2011	Pourian	
D647,743 S	11/2011	Pourian	
D648,187 S	11/2011	Kuehneman et al.	
8,152,021 B2	4/2012	Babikian	
D664,795 S *	8/2012	Cattacin	D6/518
D667,660 S	9/2012	Adolf	
D669,692 S	10/2012	Chen	
8,328,046 B2	12/2012	Hochtritt et al.	
D675,851 S	2/2013	Wilson	
D692,730 S *	11/2013	Wilson, Jr.	D7/631
8,608,023 B2	12/2013	Case et al.	
8,609,216 B2	12/2013	Zajtai et al.	
D701,434 S	3/2014	Wilson, Jr.	
D705,017 S	5/2014	Siebel	
8,757,432 B2	6/2014	Muntzing et al.	
8,875,943 B2	11/2014	Benedetti	
D729,541 S	5/2015	Wilson, Jr.	
D740,049 S	10/2015	Wilson, Jr.	
9,345,368 B2	5/2016	Formon et al.	
9,433,331 B2	9/2016	Siebel	
D783,304 S *	4/2017	Gray	D6/515
D784,039 S *	4/2017	Chalko	D6/518
9,622,627 B2	4/2017	Wilson et al.	
D789,704 S *	6/2017	Morrison	D6/512
D806,573 S *	1/2018	Sobel	D9/734
2004/0020936 A1	2/2004	Guillemette et al.	
2005/0087541 A1	4/2005	Hochtritt et al.	
2005/0150898 A1 *	7/2005	Young	B65D 83/0811 221/53
2006/0163268 A1	7/2006	Kuehneman et al.	
2006/0273100 A1	12/2006	Cittadino et al.	
2006/0273102 A1	12/2006	Wieser et al.	
2009/0127276 A1	5/2009	Rippl et al.	
2010/0025420 A1	2/2010	Hochtritt et al.	
2010/0224647 A1	9/2010	Formon et al.	
2011/0174834 A1	7/2011	Case et al.	
2012/0279984 A1	11/2012	Brolin	
2013/0213992 A1	8/2013	Wichmann	
2013/0228587 A1	9/2013	Formon	

FOREIGN PATENT DOCUMENTS

CA	71201 A	5/1901
CA	78371 A	11/1902
CA	113279 A	7/1908
CA	2357489 A1	12/1997

CA	2269866 A1	5/1998
CA	2280726 A1	9/1998
CA	2310649 A1	7/1999
CA	2394530 A1	1/2003
CA	2405980 A1	3/2003
CA	2576416 A1	2/2006
CA	2524098 A1	4/2006
CA	2526668 A1	5/2006
EM	000597265-0001	11/2006
WO	WO-2006/000242 A1	1/2006
WO	WO-2007/073244 A1	6/2007
WO	WO-2009/064231 A1	5/2009
WO	WO-2009/126077 A1	10/2009
WO	WO-2010/101677 A1	9/2010
WO	WO-2010/102674 A1	9/2010
WO	WO-2010/104430 A1	9/2010
WO	WO-2010/118783 A1	10/2010
WO	WO-2010/132005 A1	11/2010
WO	WO-2011/062532 A1	5/2011
WO	WO-2013/007302 A2	1/2013
WO	WO-2013/064165 A2	5/2013
WO	WO-2013/091877 A1	6/2013
WO	WO-2013/113392 A1	8/2013
WO	WO-2013/113393 A1	8/2013
WO	WO-2013/113394 A1	8/2013
WO	WO-2013/126527 A1	8/2013

OTHER PUBLICATIONS

U.S. Appl. No. 29/602,979, filed May 5, 2017.

* cited by examiner

Primary Examiner — Wan Laymon

Assistant Examiner — Mark Booker

(74) *Attorney, Agent, or Firm* — Marshall, Gerstein & Borun LLP

(57) CLAIM

The ornamental design for a dispenser, as shown and described.

DESCRIPTION

FIG. 1 is a perspective view of a dispenser showing the new design.

FIG. 2 is a front elevation view of the dispenser shown in FIG. 1;

FIG. 3 is a top plan view of the dispenser shown in FIG. 1;

FIG. 4 is a right-side elevation view of the dispenser shown in FIG. 1;

FIG. 5 is a left-side elevation view of the dispenser shown in FIG. 1;

FIG. 6 is a bottom plan view of the dispenser shown in FIG. 1; and,

FIG. 7 is a rear elevation view of the dispenser shown in FIG. 1.

The broken lines shown in the figures represent portions of the dispenser that form no part of the claimed design.

1 Claim, 7 Drawing Sheets



FIG. 1

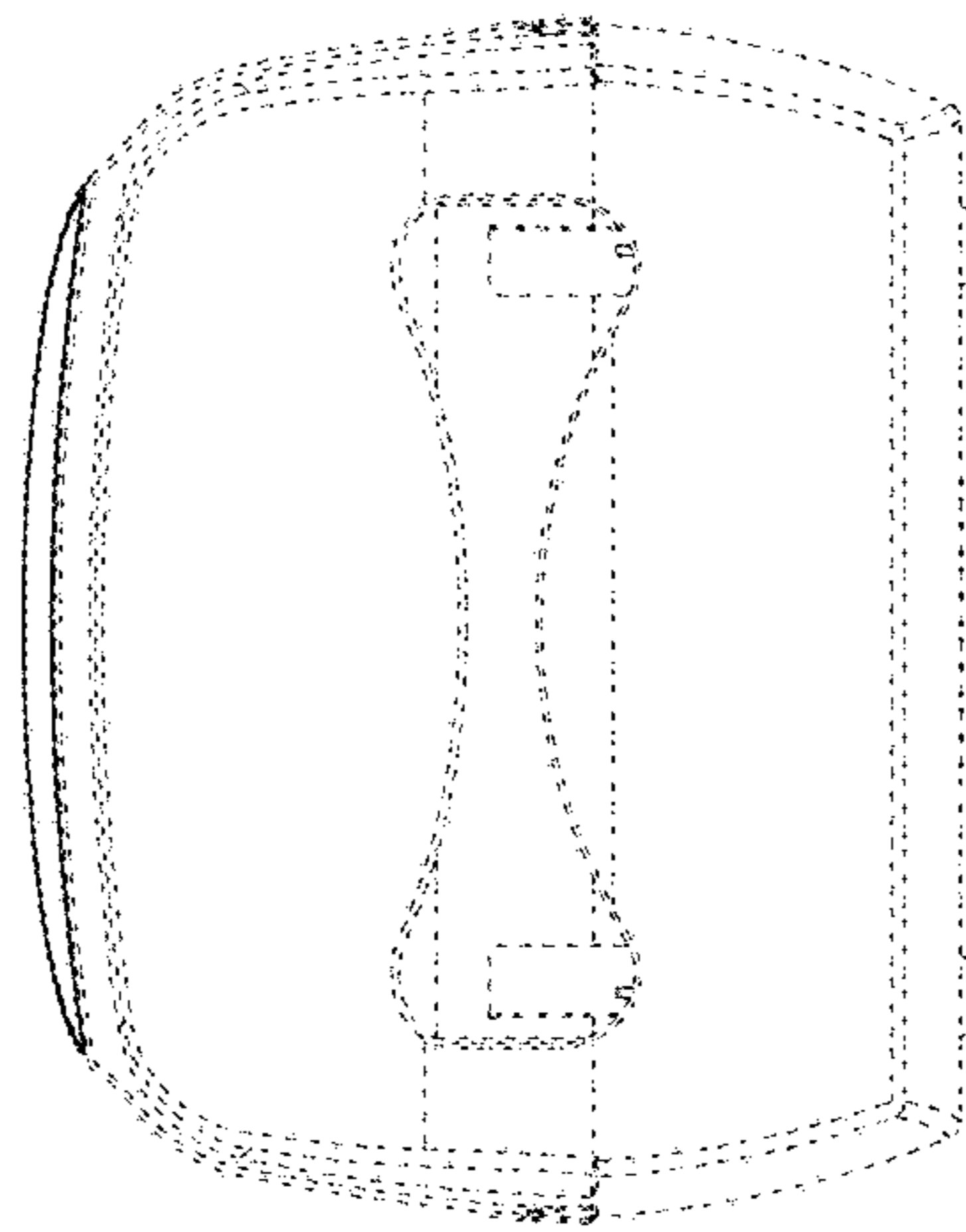


FIG. 2

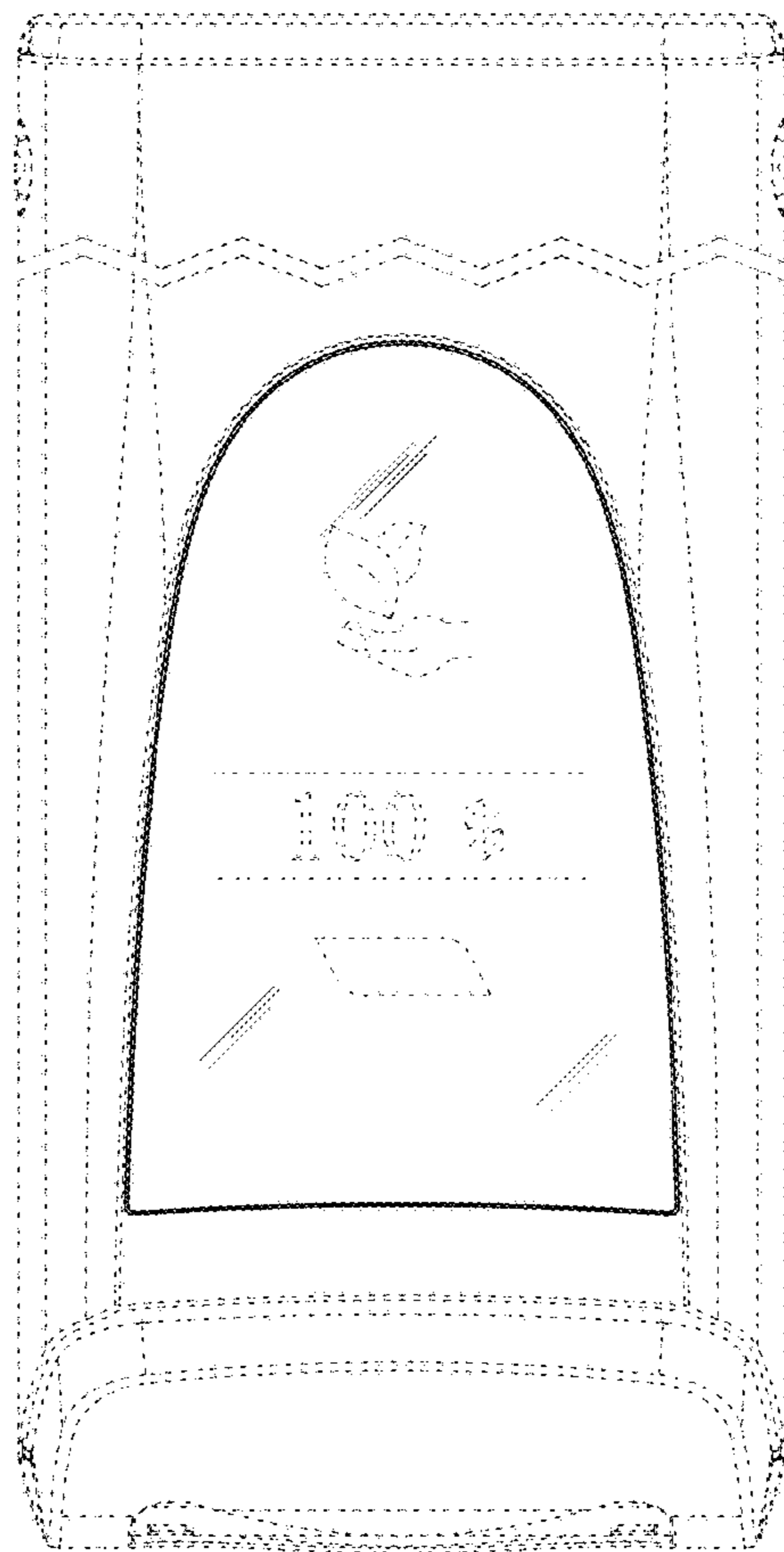


FIG. 3

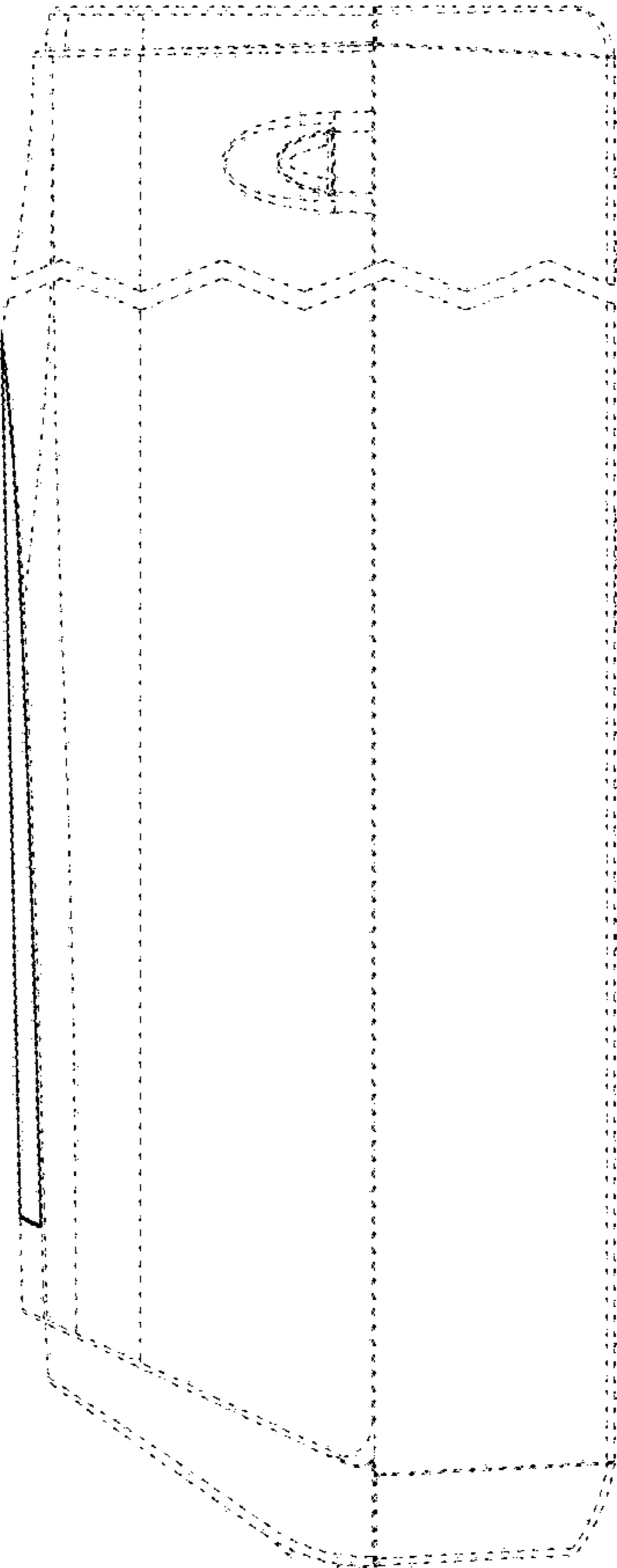


FIG. 4

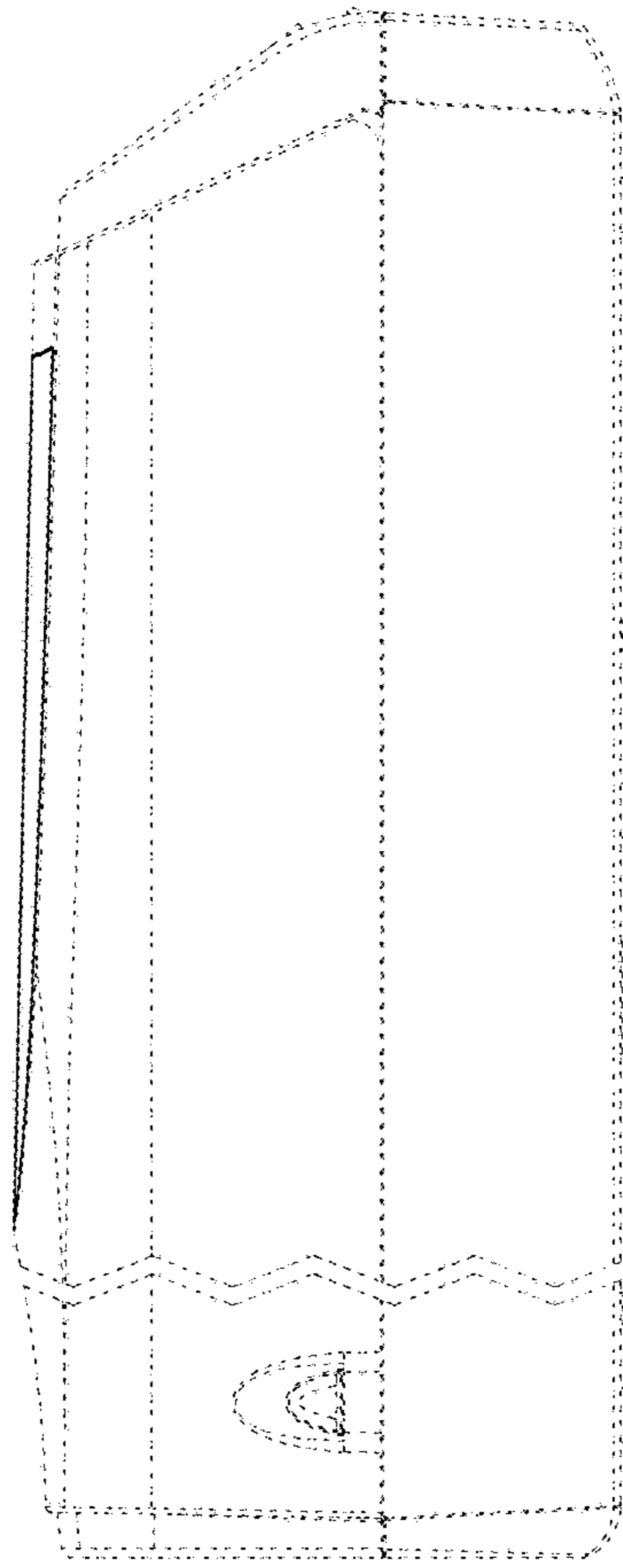


FIG. 5

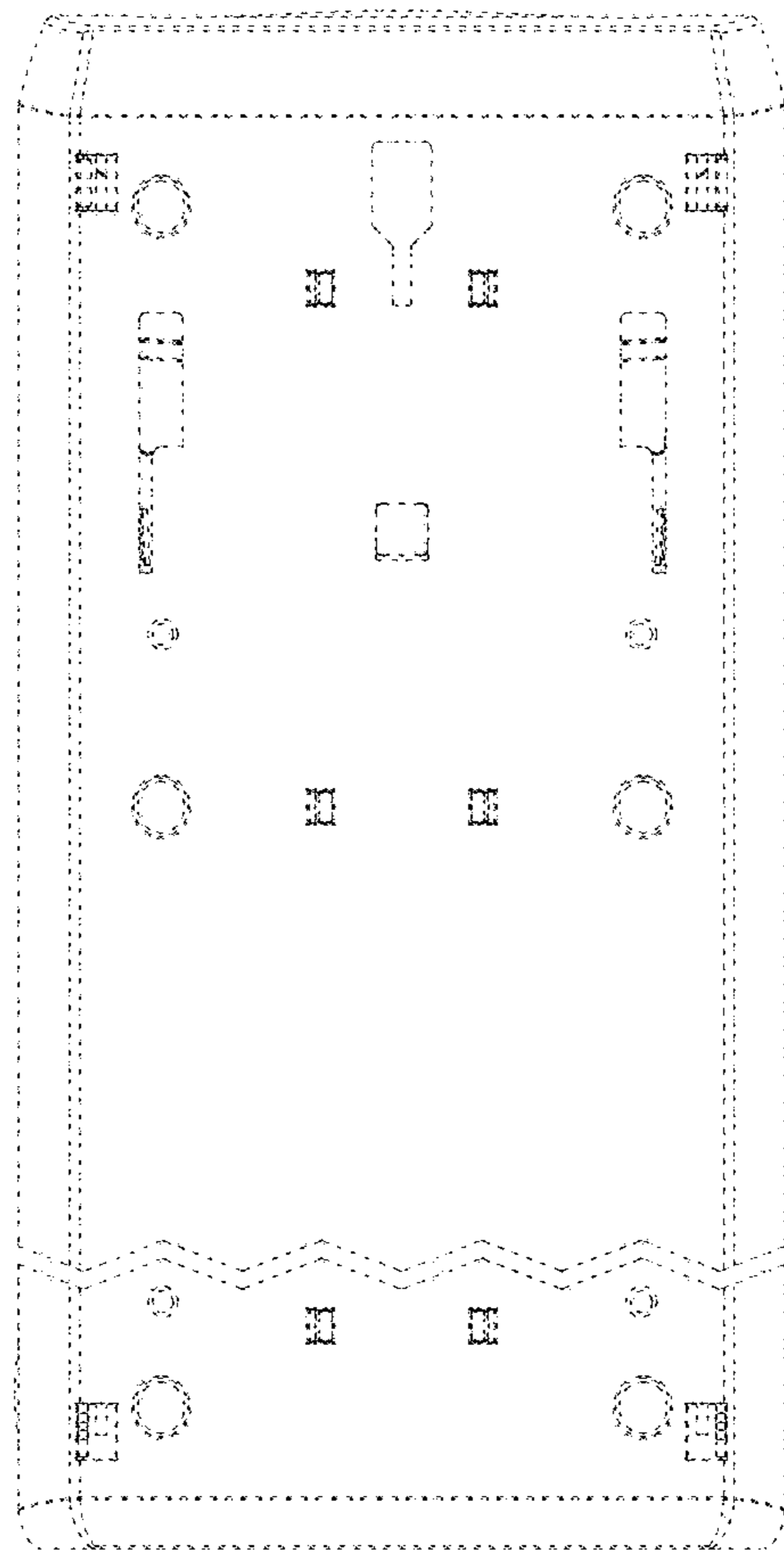


FIG. 6

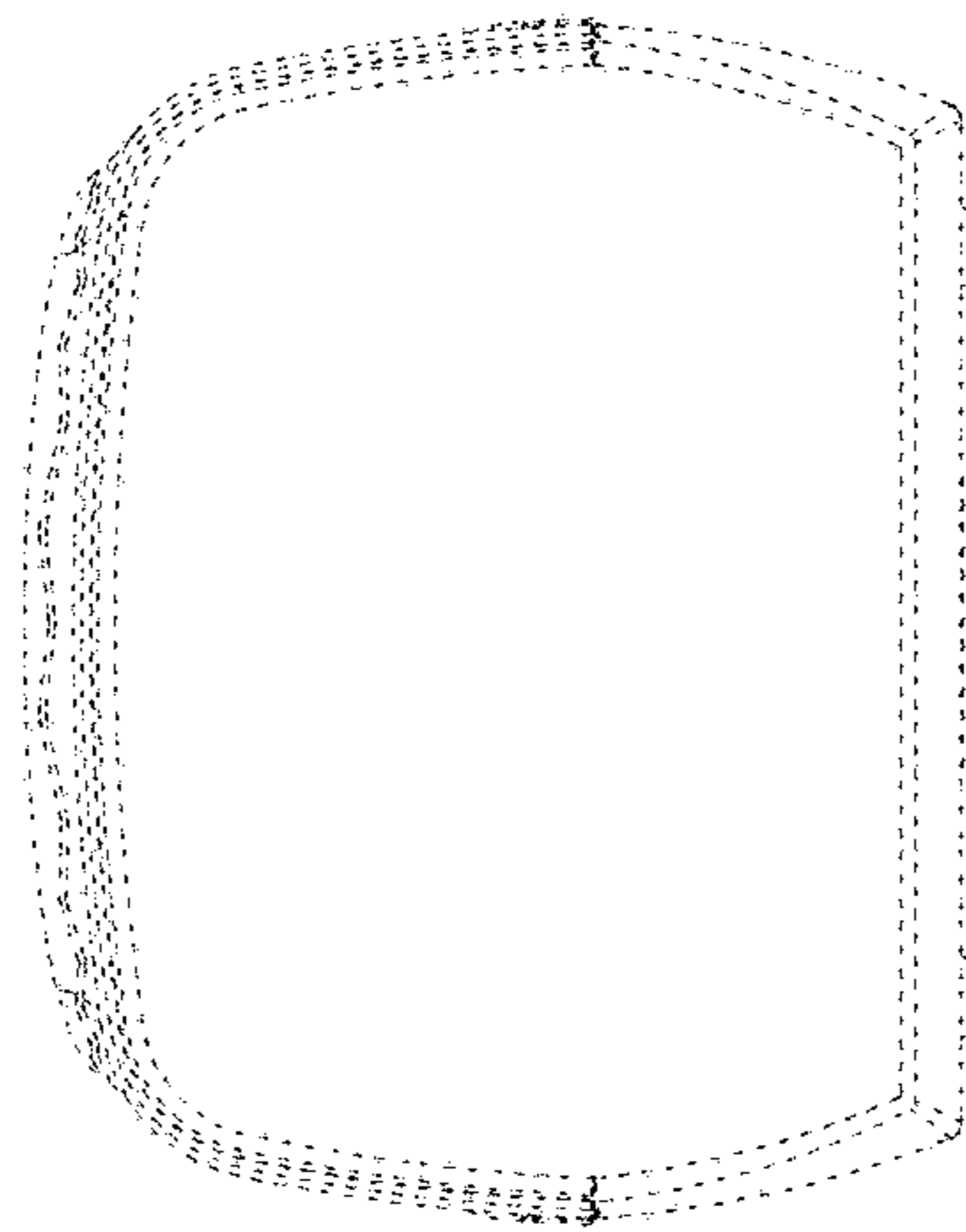


FIG. 7