



US00D863813S

(12) **United States Design Patent** (10) **Patent No.:** **US D863,813 S**
Roberts et al. (45) **Date of Patent:** **** Oct. 22, 2019**

(54) **UTILITY KNIFE BLADE DISPENSER**
(71) Applicant: **Fiskars Finland Oy Ab**, Helsinki (FI)
(72) Inventors: **Colin Roberts**, Waunakee, WI (US);
Stephen P. Dechant, Waunakee, WI (US)
(73) Assignee: **FISKARS FINLAND OY AB**, Helsinki (FI)
(**) Term: **15 Years**
(21) Appl. No.: **29/603,031**
(22) Filed: **May 5, 2017**
(51) **LOC (12) Cl.** **06-02**
(52) **U.S. Cl.**
USPC **D6/512**
(58) **Field of Classification Search**
USPC D6/512, 513; D8/98, 99, 100, 105, 107;
D22/118; D3/201, 203.1; D9/414, 417,
D9/420, 424, 426, 430, 432, 478, 730,
D9/735-737; 206/556, 800, 198, 279,
206/281
CPC B65D 83/10; B65D 83/0817; B65D 83/08;
B65D 75/14; B65D 83/0858; B26B
21/24; B26B 21/54; B26B 5/00; A61B
17/3215; A61B 50/20; A45D 27/24; G07F
11/04; Y10S 206/815
See application file for complete search history.

(56) **References Cited**
U.S. PATENT DOCUMENTS
3,650,433 A 3/1972 Robertson
D224,290 S 7/1972 Roberston
4,379,514 A 4/1983 Joffe
4,660,284 A 4/1987 Decarolis
4,789,080 A 12/1988 Iten
D299,413 S 1/1989 DeCarolis

4,850,512 A 7/1989 Vujovich
4,936,014 A 6/1990 Shaanan et al.
5,251,783 A 10/1993 Gringer
5,584,123 A 12/1996 Chi
5,661,908 A 9/1997 Chen
D412,655 S 8/1999 Gilbert et al.
D414,670 S 10/1999 Linden
D420,270 S 2/2000 Martone
6,158,616 A 12/2000 Huang
D439,492 S 3/2001 Martone et al.
D445,662 S 7/2001 Huang
D458,106 S 6/2002 Chong
D462,861 S 9/2002 Schmidt
6,449,850 B1 9/2002 Gilbert
6,467,173 B1 10/2002 Umstead et al.
6,598,761 B1 7/2003 Chou
6,789,326 B1 9/2004 Huang
D510,010 S 9/2005 Brown et al.
D511,447 S 11/2005 Brown et al.

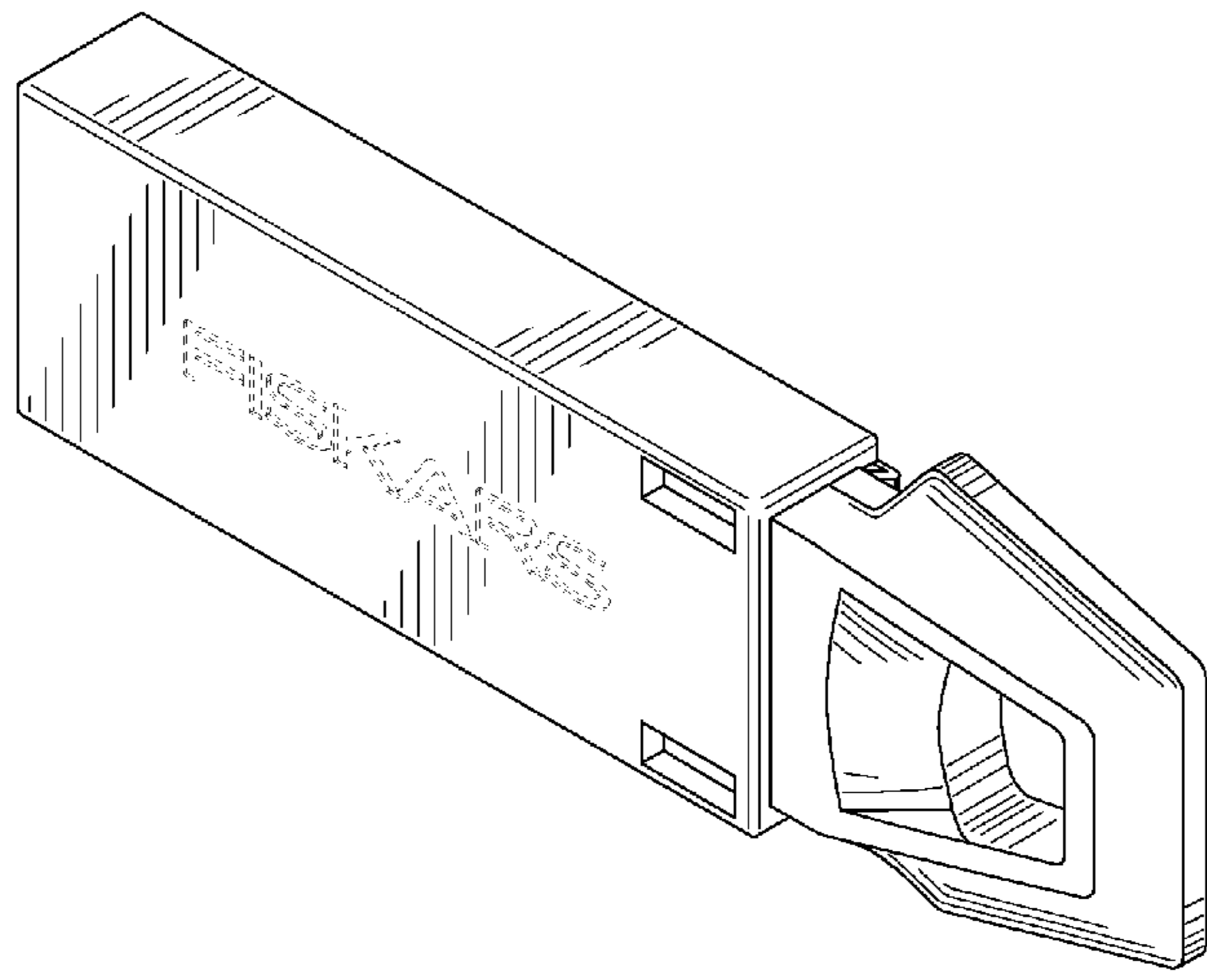
(Continued)

Primary Examiner — Wan Laymon
Assistant Examiner — Mark Booker
(74) *Attorney, Agent, or Firm* — Leason Ellis LLP

(57) **CLAIM**
We claim the ornamental design for a utility knife blade dispenser, as shown and described.

DESCRIPTION
FIG. 1 is a top front perspective view of the claimed design;
FIG. 2 is a top view thereof;
FIG. 3 is a bottom view thereof;
FIG. 4 is a rear view thereof;
FIG. 5 is a front view thereof;
FIG. 6 is a left side view thereof;
FIG. 7 is a right side view thereof; and,
FIG. 8 is a top rear perspective view thereof.
The broken lines shown in the figures represent portions of the utility knife blade dispenser that form no part of the claimed design.

1 Claim, 5 Drawing Sheets



(56)

References Cited

U.S. PATENT DOCUMENTS

D525,104 S	7/2006	Samberg	8,539,680 B2	9/2013	Strauss
7,093,367 B1	8/2006	Huang	D705,033 S	5/2014	Dahlberg et al.
D527,602 S	9/2006	Axon et al.	D720,628 S *	1/2015	Erdmann D9/735
D536,624 S	2/2007	Novak et al.	D731,280 S	6/2015	Dahlberg et al.
D551,933 S	10/2007	Guo	D731,281 S	6/2015	Dahlberg et al.
D553,936 S	10/2007	Takamasa	D731,282 S	6/2015	Dahlberg et al.
D554,774 S	11/2007	Antonic	D731,283 S	6/2015	Dahlberg et al.
D558,555 S	1/2008	Huang	D731,870 S	6/2015	Dahlberg et al.
D560,462 S	1/2008	Takamasa	D735,552 S	8/2015	Hung
D560,999 S	2/2008	Ping	D738,182 S	9/2015	Parker et al.
D564,328 S	3/2008	Smith	9,162,811 B2	10/2015	Schneider et al.
D565,919 S	4/2008	Kondo et al.	D751,883 S	3/2016	Huang et al.
D572,107 S	7/2008	Maraia et al.	D756,191 S	5/2016	Horovitz et al.
7,516,550 B2	4/2009	Hagan et al.	D767,915 S *	10/2016	Held D6/512
D596,915 S	7/2009	Garcia et al.	D793,198 S	8/2017	Wang
D602,326 S	10/2009	Garcia et al.	2003/0085236 A1	5/2003	Schmidt
D603,680 S	11/2009	Wu	2004/0099682 A1	5/2004	Huang
7,797,835 B2	9/2010	Zeng	2004/0178214 A1	9/2004	Wei
D624,833 S *	10/2010	van Deursen D9/735	2006/0272157 A1	12/2006	Zeng
D686,481 S	7/2013	Robinson et al.	2016/0304269 A1 *	10/2016	Erdmann B65D 83/0817
			2017/0021511 A1 *	1/2017	Chiu B26B 5/003
			2017/0174412 A1 *	6/2017	Wonderley B65D 83/10
			2018/0021964 A1 *	1/2018	Rohrbach B26B 1/08

* cited by examiner

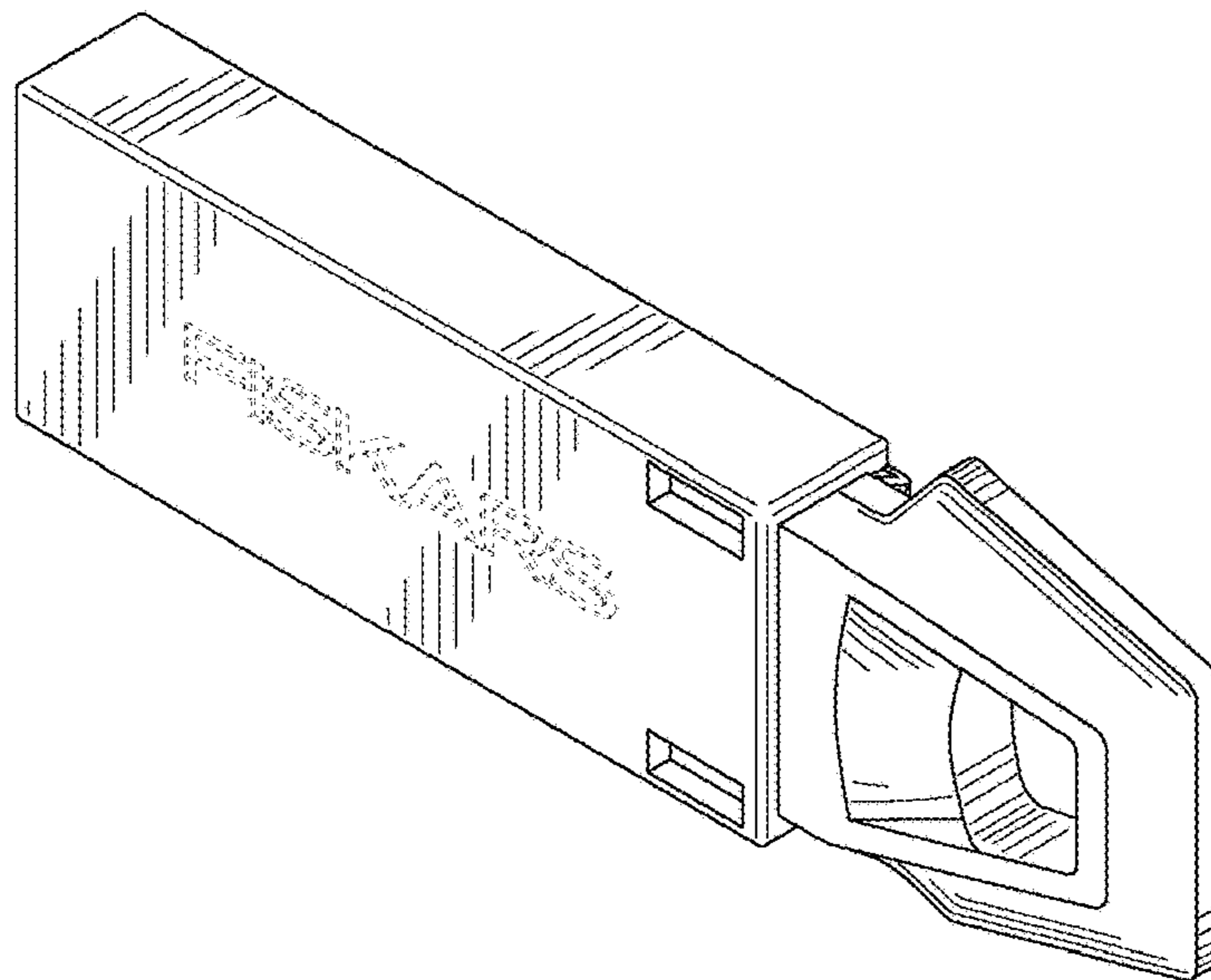


FIG. 1

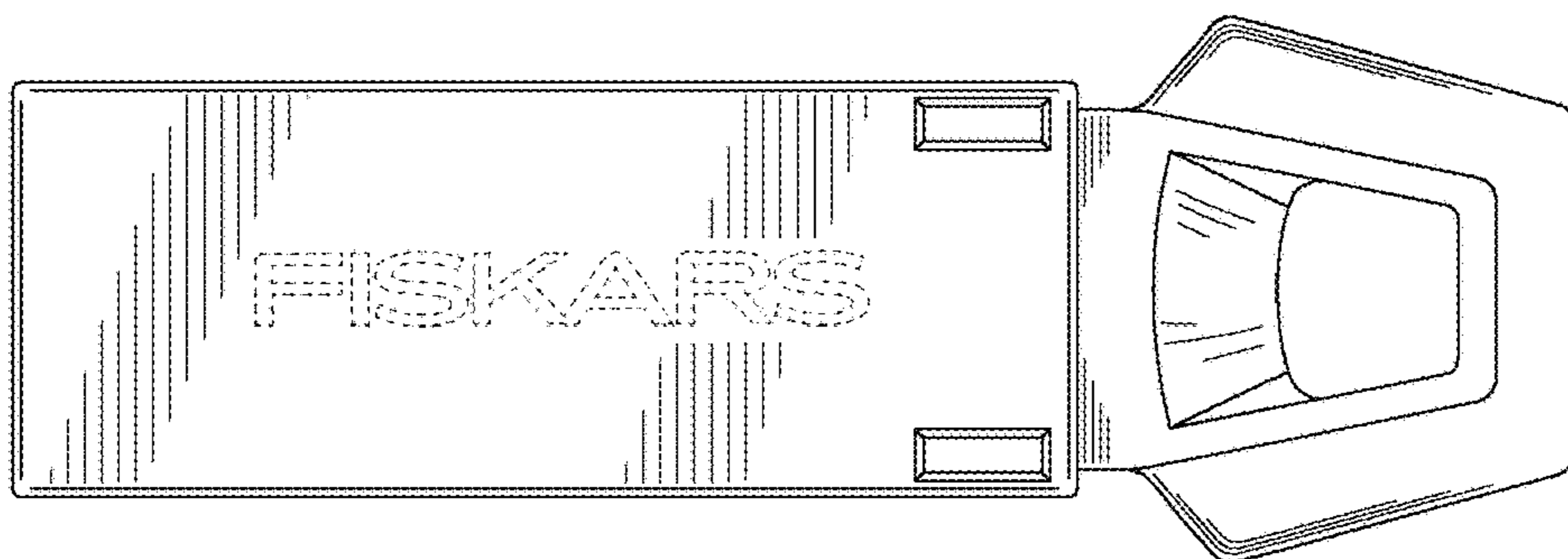


FIG. 2

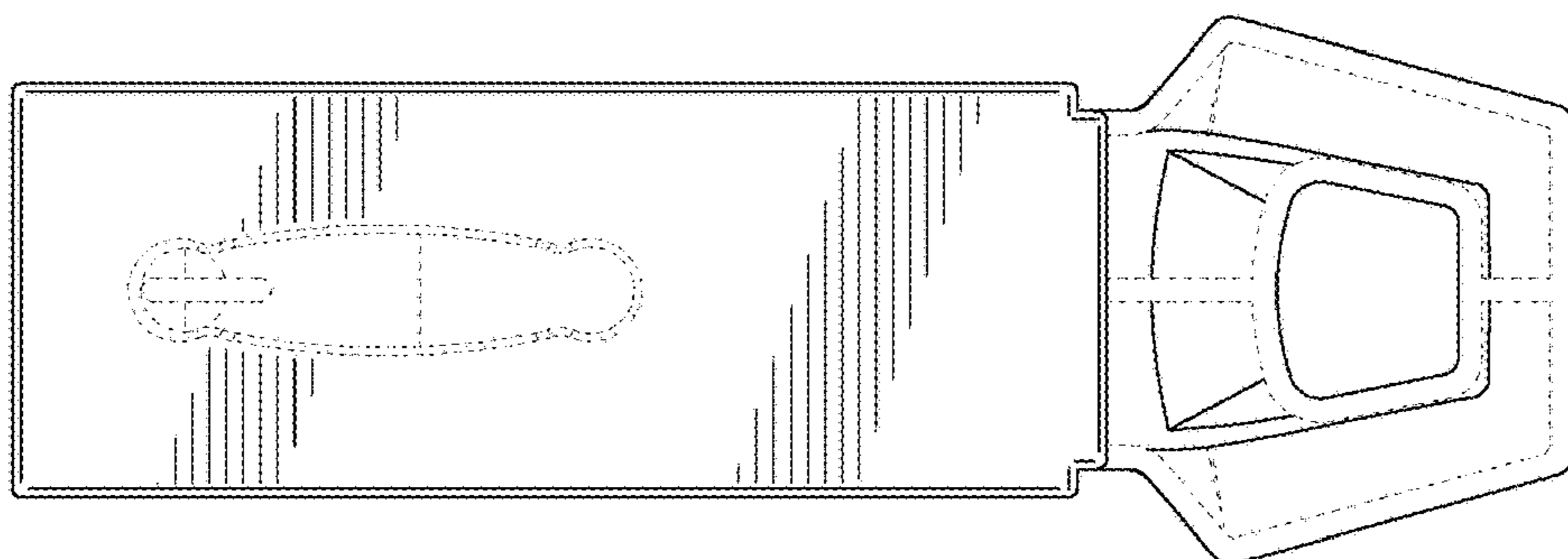


FIG. 3

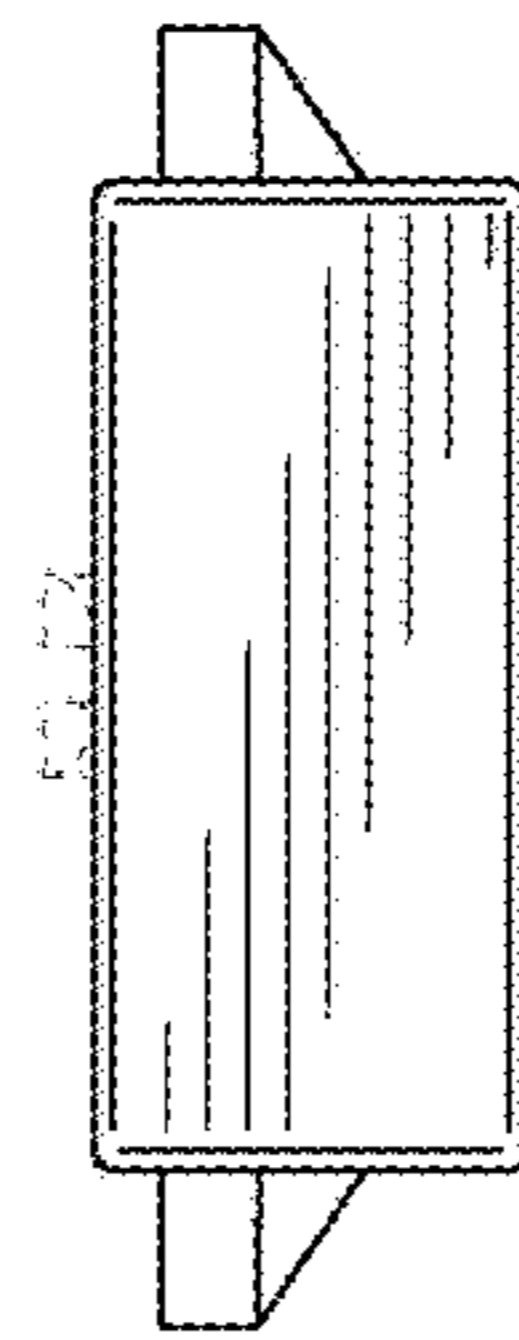


FIG. 4

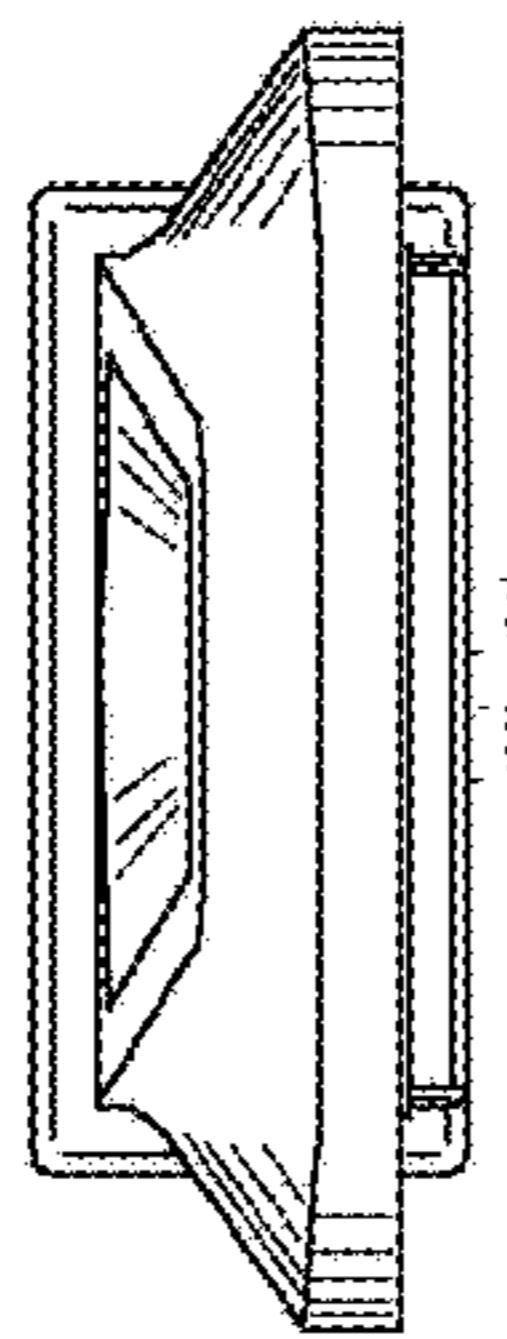


FIG. 5

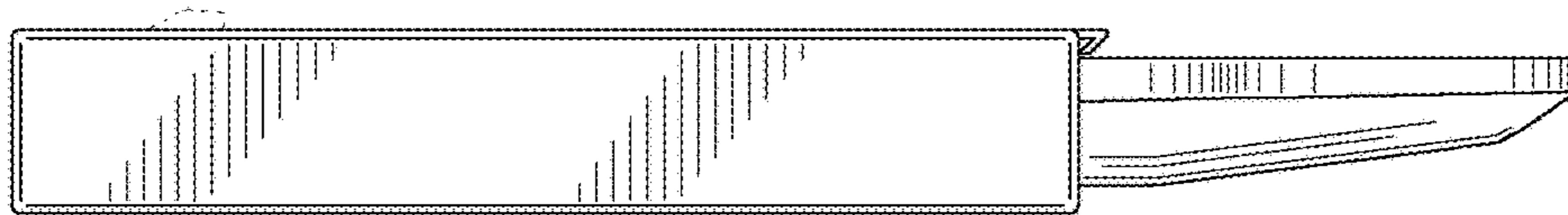


FIG. 6

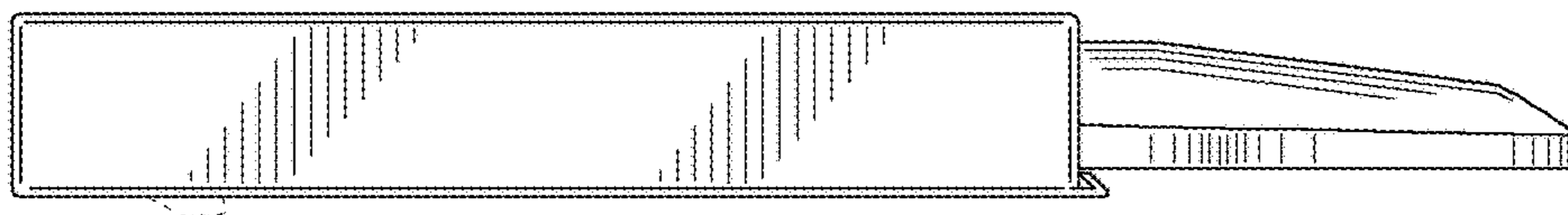


FIG. 7

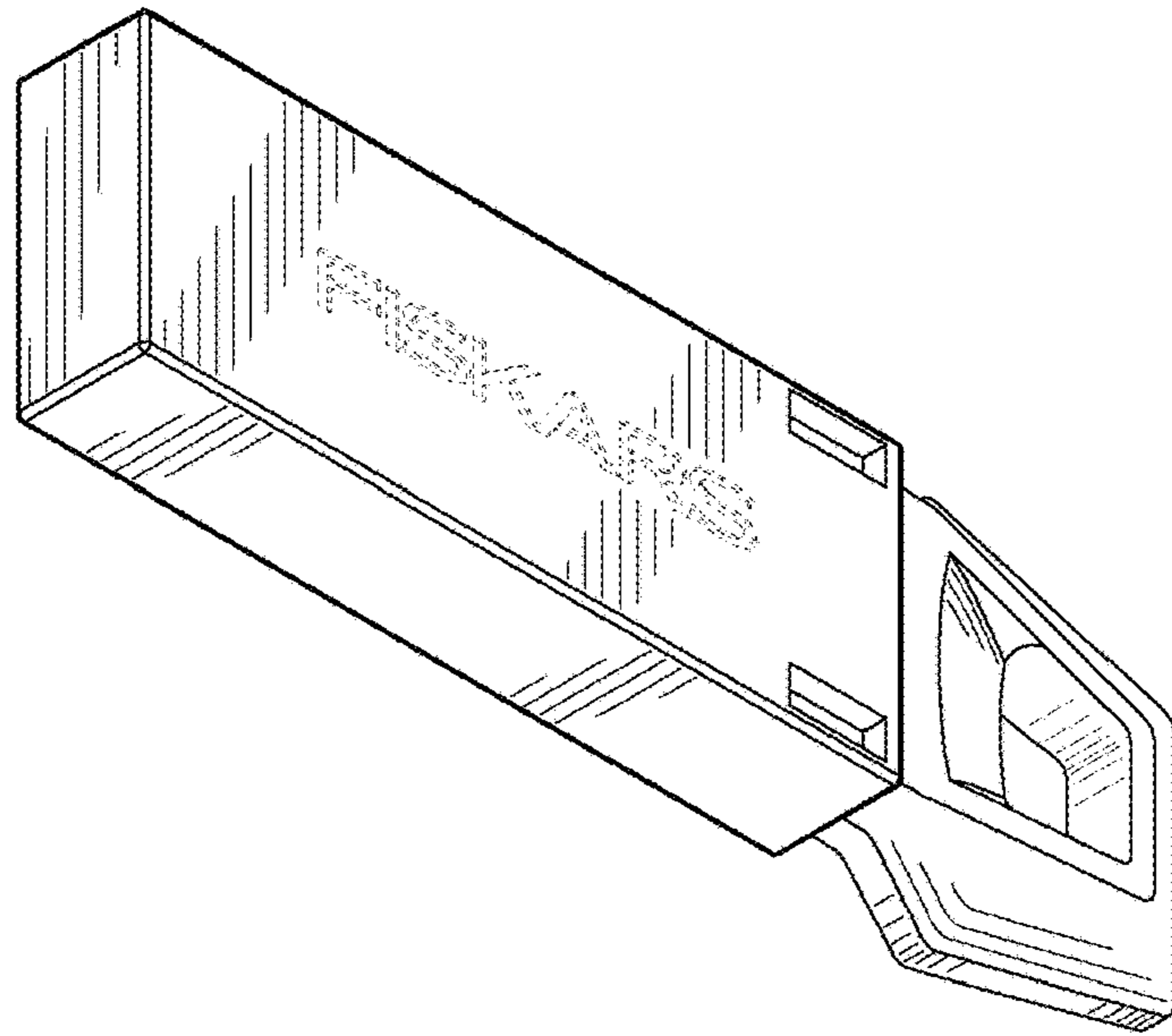


FIG. 8