



US00D863805S

(12) **United States Design Patent** (10) **Patent No.:** **US D863,805 S**
Jones (45) **Date of Patent:** **** Oct. 22, 2019**

(54) **CHAIR**

(71) Applicant: **Williams-Sonoma, Inc.**, San Francisco, CA (US)

(72) Inventor: **Anna Kodman Jones**, Brooklyn, NY (US)

(73) Assignee: **Williams-Sonoma, Inc.**, San Francisco, CA (US)

(**) Term: **15 Years**

(21) Appl. No.: **29/691,472**

(22) Filed: **May 16, 2019**

Related U.S. Application Data

(62) Division of application No. 29/607,152, filed on Jun. 9, 2017.

(51) **LOC (12) Cl.** **06-01**

(52) **U.S. Cl.**
USPC **D6/374; D6/380**

(58) **Field of Classification Search**
USPC D6/334-336, 371, 372, 373, 374, 376, D6/379, 380, 716, 716.1, 716.2, 716.3, D6/716.4
CPC .. A47C 3/04; A47C 4/02; A47C 4/024; A47C 4/025; A47C 4/028; A47C 5/04; A47C 7/16

See application file for complete search history.

(56) **References Cited**

U.S. PATENT DOCUMENTS

D150,683	S	*	8/1948	Eames	D6/374
D169,930	S	*	6/1953	Chapman et al.	D6/374
2,658,563	A	*	11/1953	Nordmark	A47C 5/04 297/452.24
D171,116	S	*	12/1953	Adkinson	D6/374
D181,241	S	*	10/1957	Swanson	D6/374
D188,241	S	*	6/1960	Christenson	D6/374
D195,620	S	*	7/1963	Chapman et al.	D6/374
D841,354	S	*	2/2019	Rassat	D6/376

* cited by examiner

Primary Examiner — Mimosa De

(74) *Attorney, Agent, or Firm* — Cook Alex Ltd.; R. Blake Johnston

(57) **CLAIM**

The ornamental design for a chair, as shown and described.

DESCRIPTION

FIG. 1 is a perspective view of the chair;
FIG. 2 is a front elevation view of the chair;
FIG. 3 is a rear elevation view of the chair;
FIG. 4 is a left side elevation view of the chair, the opposite side of which is a mirror image;
FIG. 5 is a top plan view of the chair; and,
FIG. 6 is a bottom plan view of the chair.
The broken lines shown in the drawings are for illustrative purposes only and form no part of the claimed design.

1 Claim, 5 Drawing Sheets

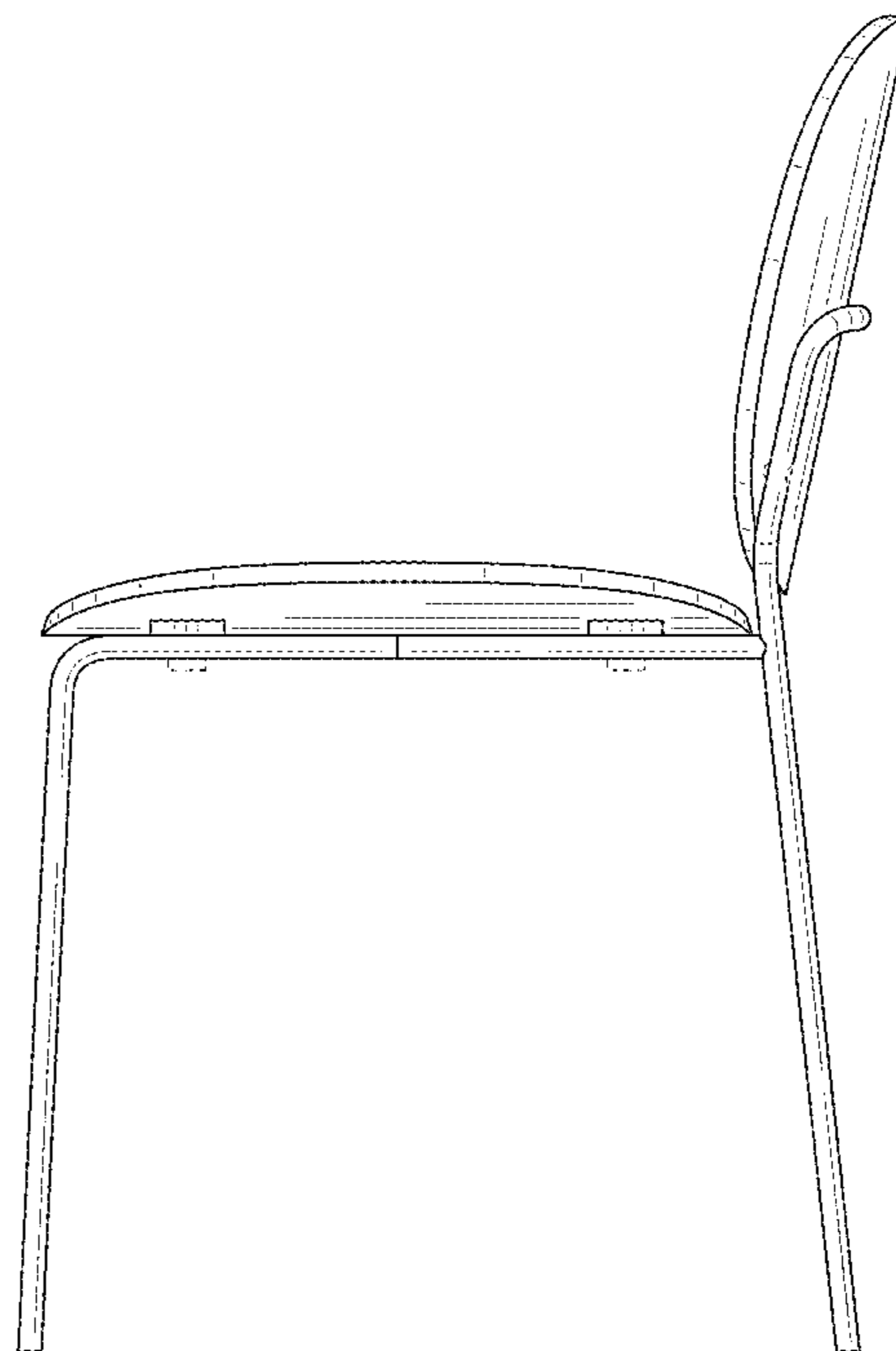
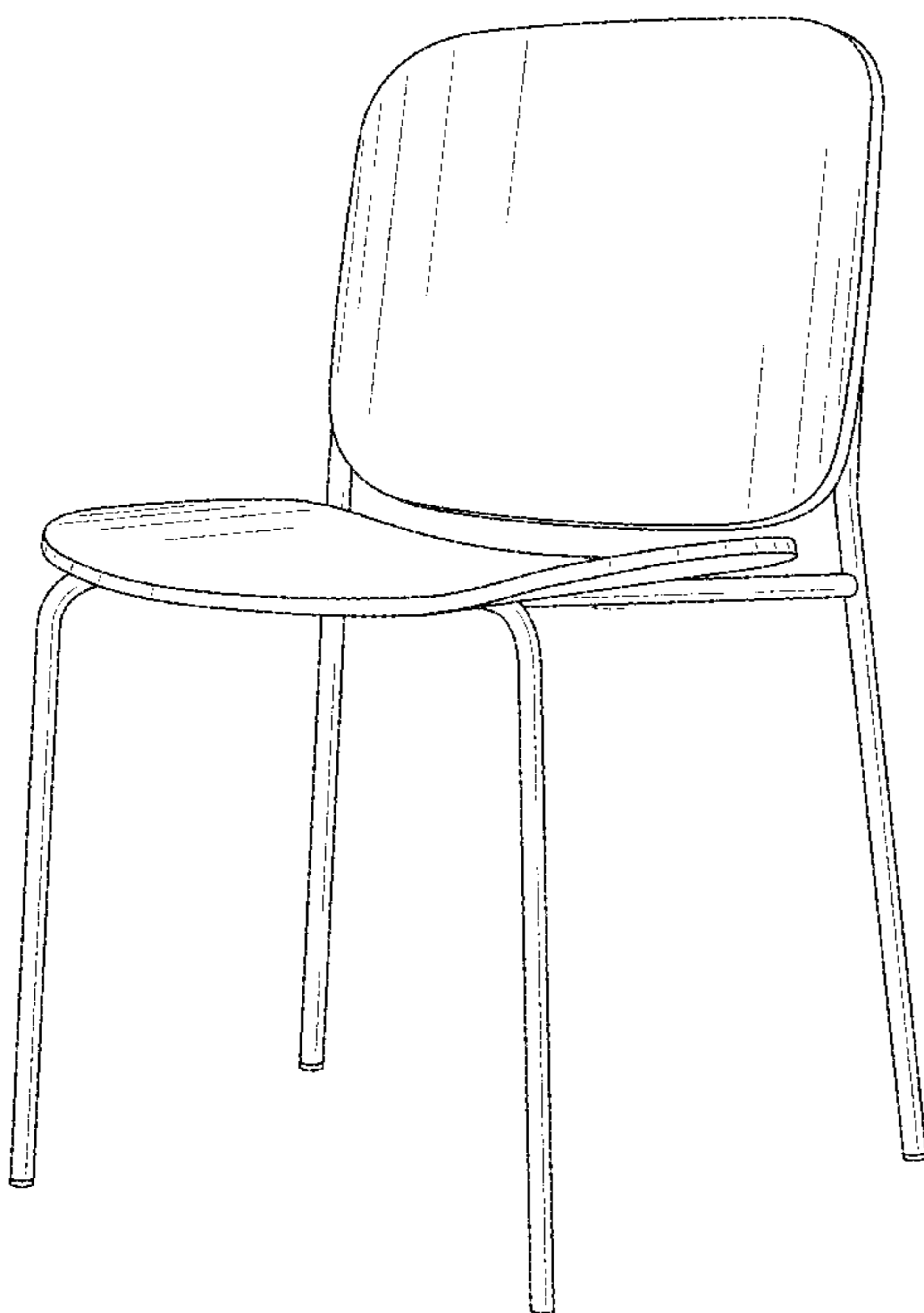




FIG. 1

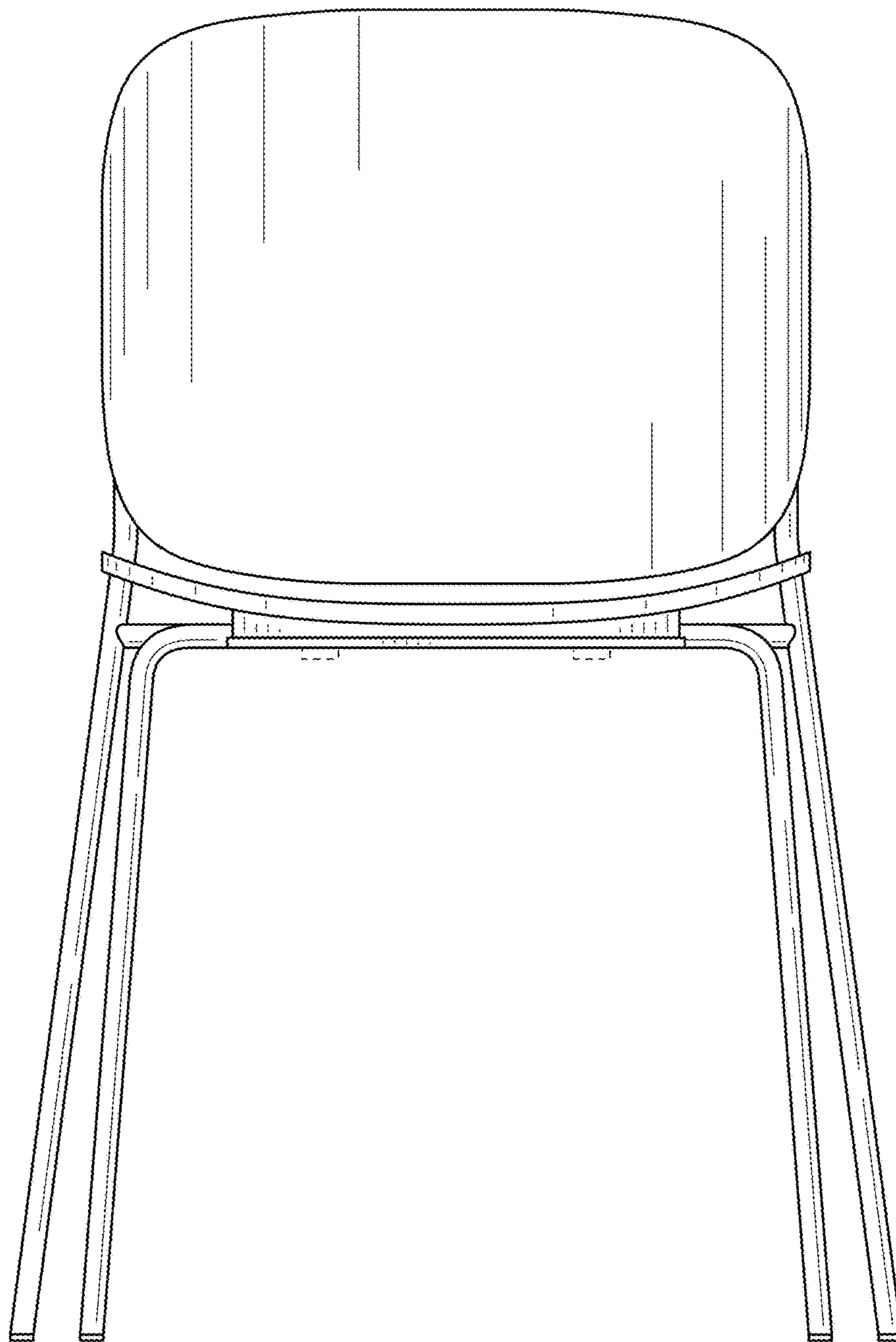


FIG. 2

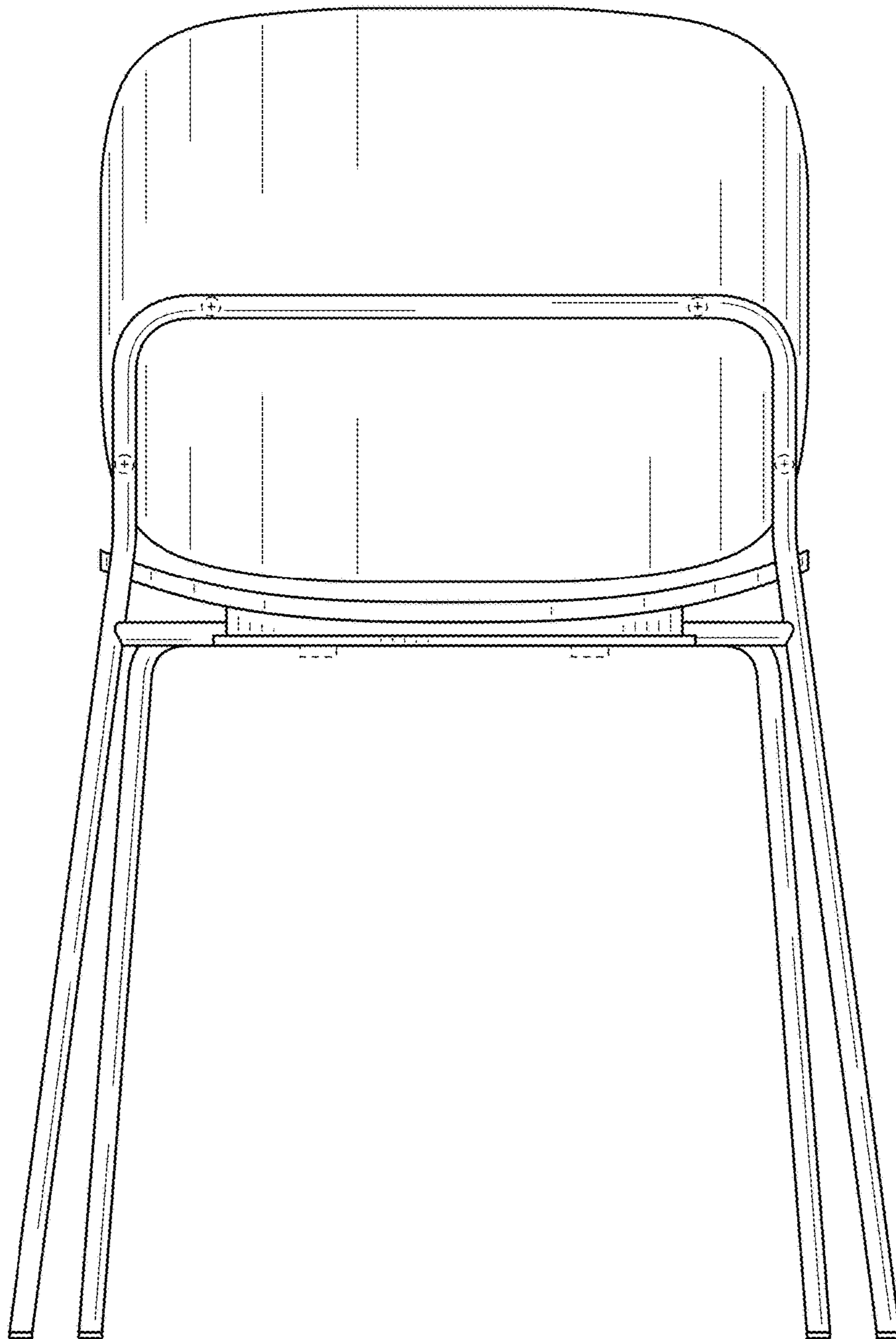


FIG. 3

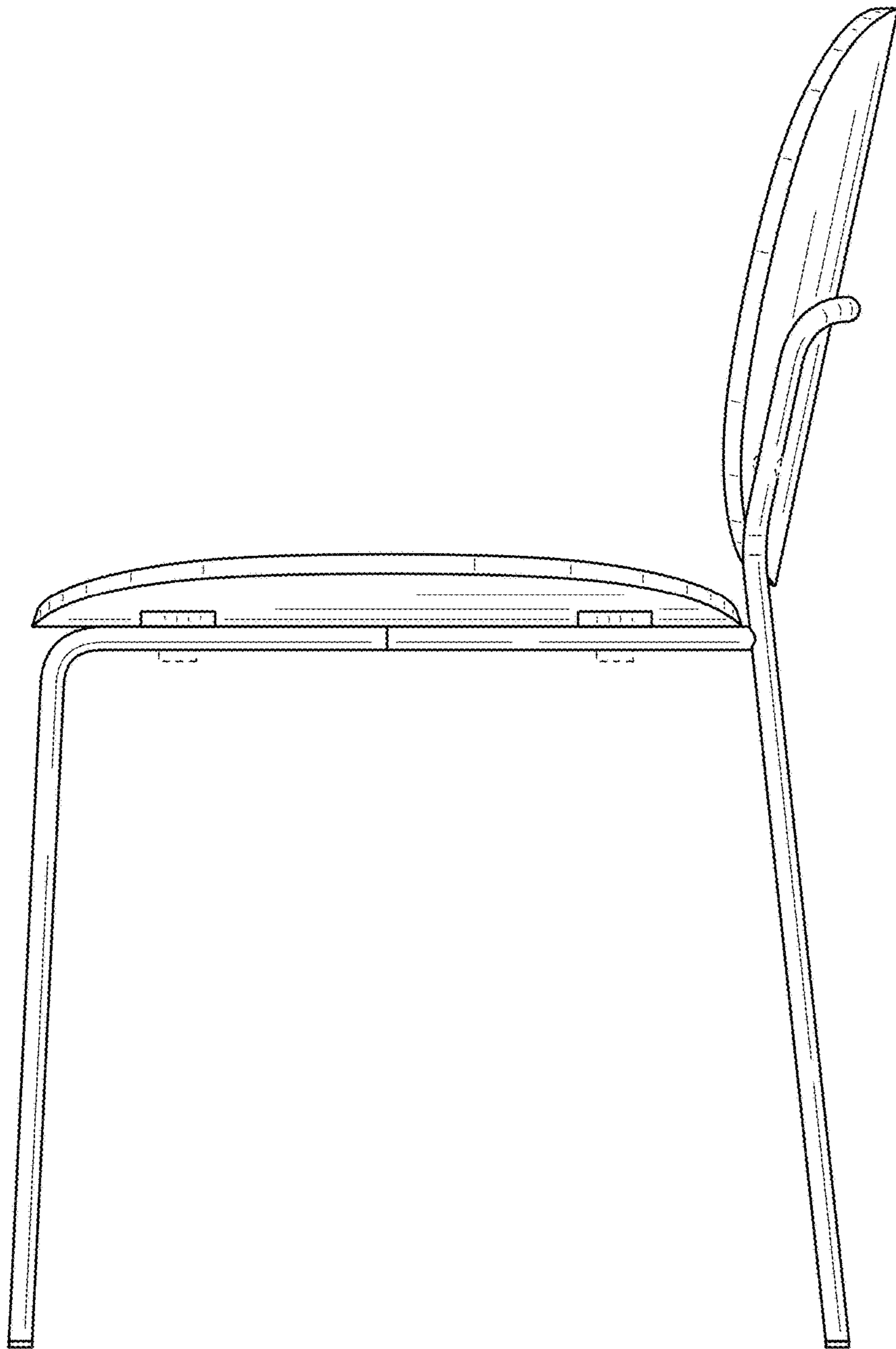


FIG. 4

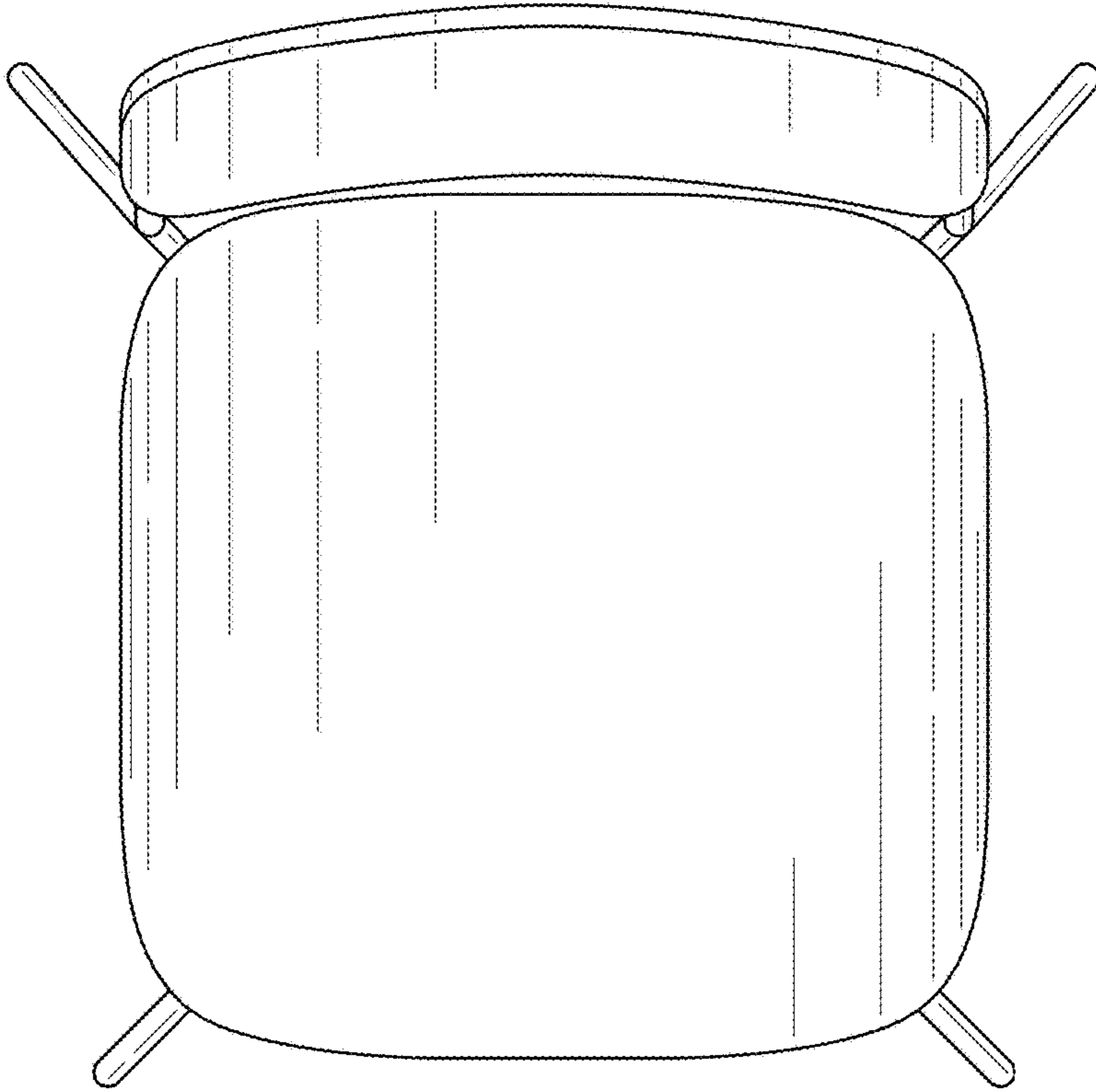


FIG. 5

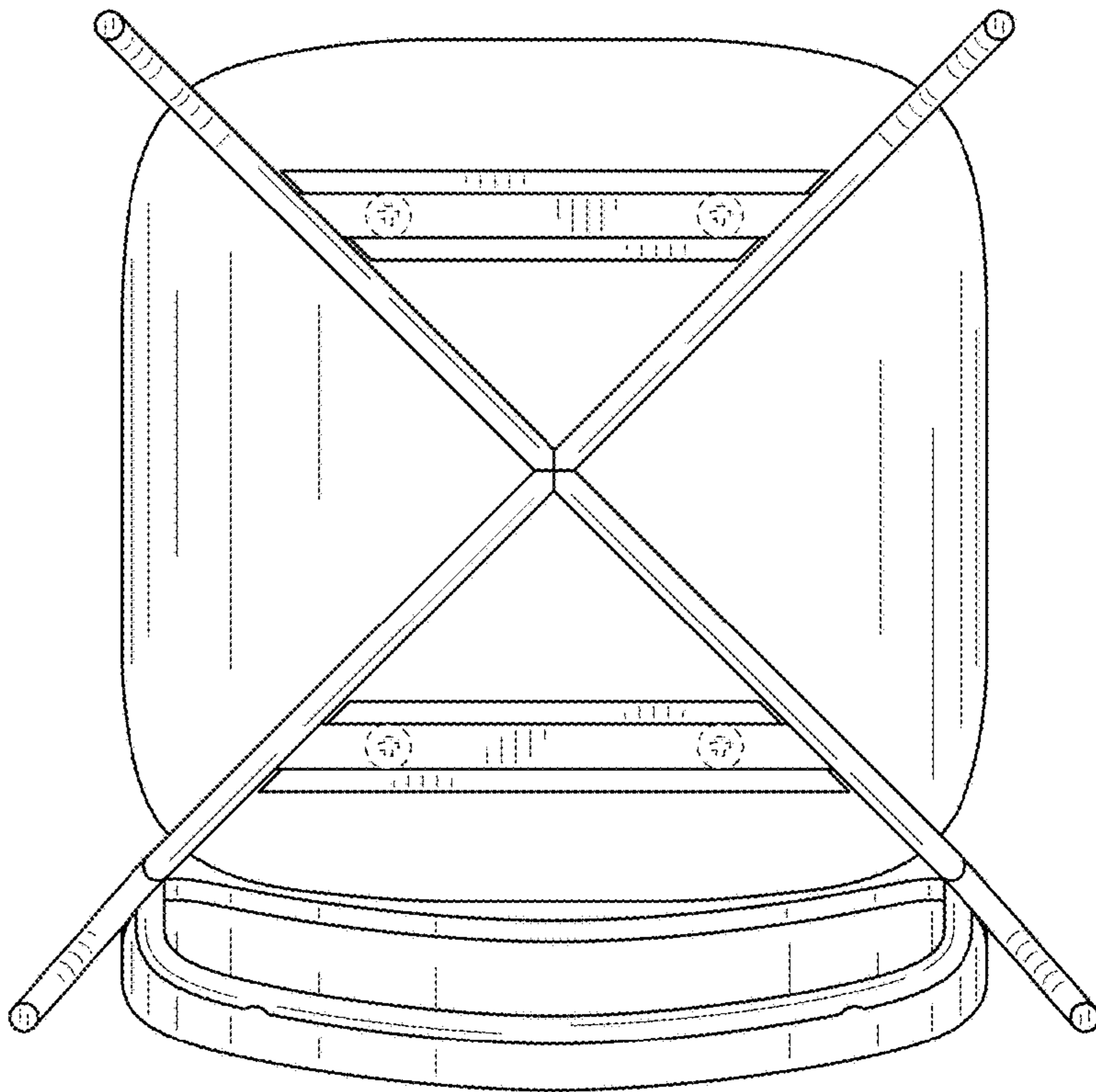


FIG. 6