



US00D863802S

(12) **United States Design Patent**
Wang

(10) **Patent No.:** **US D863,802 S**

(45) **Date of Patent:** **** Oct. 22, 2019**

(54) **OFFICE CHAIR**

(71) Applicant: **Zhengxing Wang**, Jiujiang (CN)

(72) Inventor: **Zhengxing Wang**, Jiujiang (CN)

(73) Assignee: **Zhengxing Wang**, Jiujiang (CN)

(**) Term: **15 Years**

(21) Appl. No.: **29/615,802**

(22) Filed: **Aug. 31, 2017**

(51) **LOC (12) Cl.** **06-01**

(52) **U.S. Cl.**
USPC **D6/366**

(58) **Field of Classification Search**
USPC D6/334-336, 364, 365, 366, 374, 379,
D6/380, 716, 716.1, 716.2, 716.4
CPC A47C 7/002; A47C 7/004; A47C 7/18;
A47C 7/38; A47C 7/40; A47C 7/46;
A47C 7/405; A47C 7/54; B60N 2/66
See application file for complete search history.

(56) **References Cited**

U.S. PATENT DOCUMENTS

D585,205 S * 1/2009 Wen D6/366
D604,527 S * 11/2009 Ooki D6/366

D641,561 S * 7/2011 Tsai D6/366
D645,683 S * 9/2011 Chen D6/366
D650,617 S * 12/2011 Chen D6/366
D655,524 S * 3/2012 Kim D6/366
8,251,448 B2 * 8/2012 Machael A47C 7/46
297/299
D697,330 S * 1/2014 Chen D6/366
D703,457 S * 4/2014 Plikat D6/366
D755,532 S * 5/2016 Su D6/366

* cited by examiner

Primary Examiner — Mimosa De

(74) *Attorney, Agent, or Firm* — Mark E. Bandy; Rankin, Hill & Clark LLP

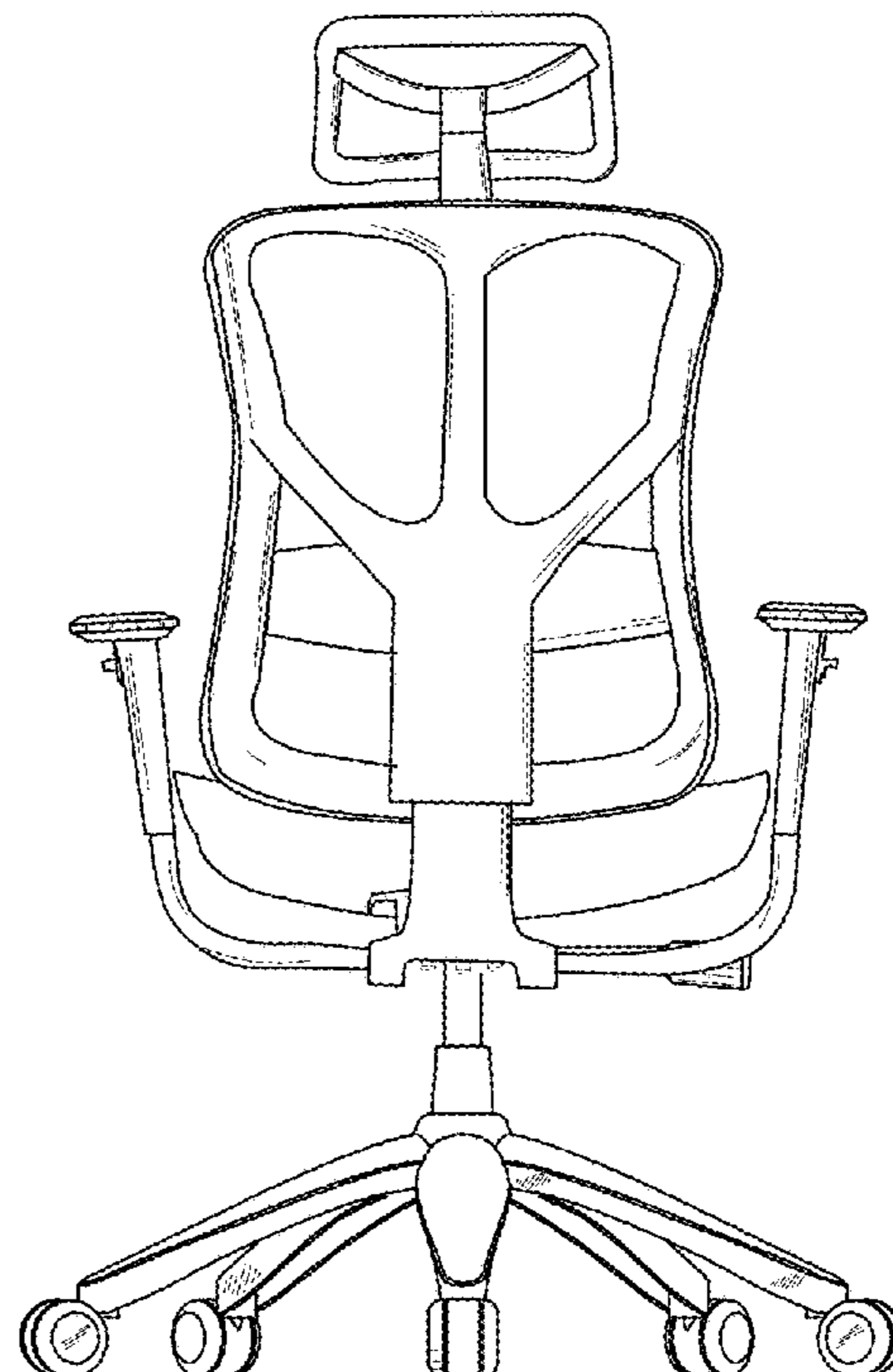
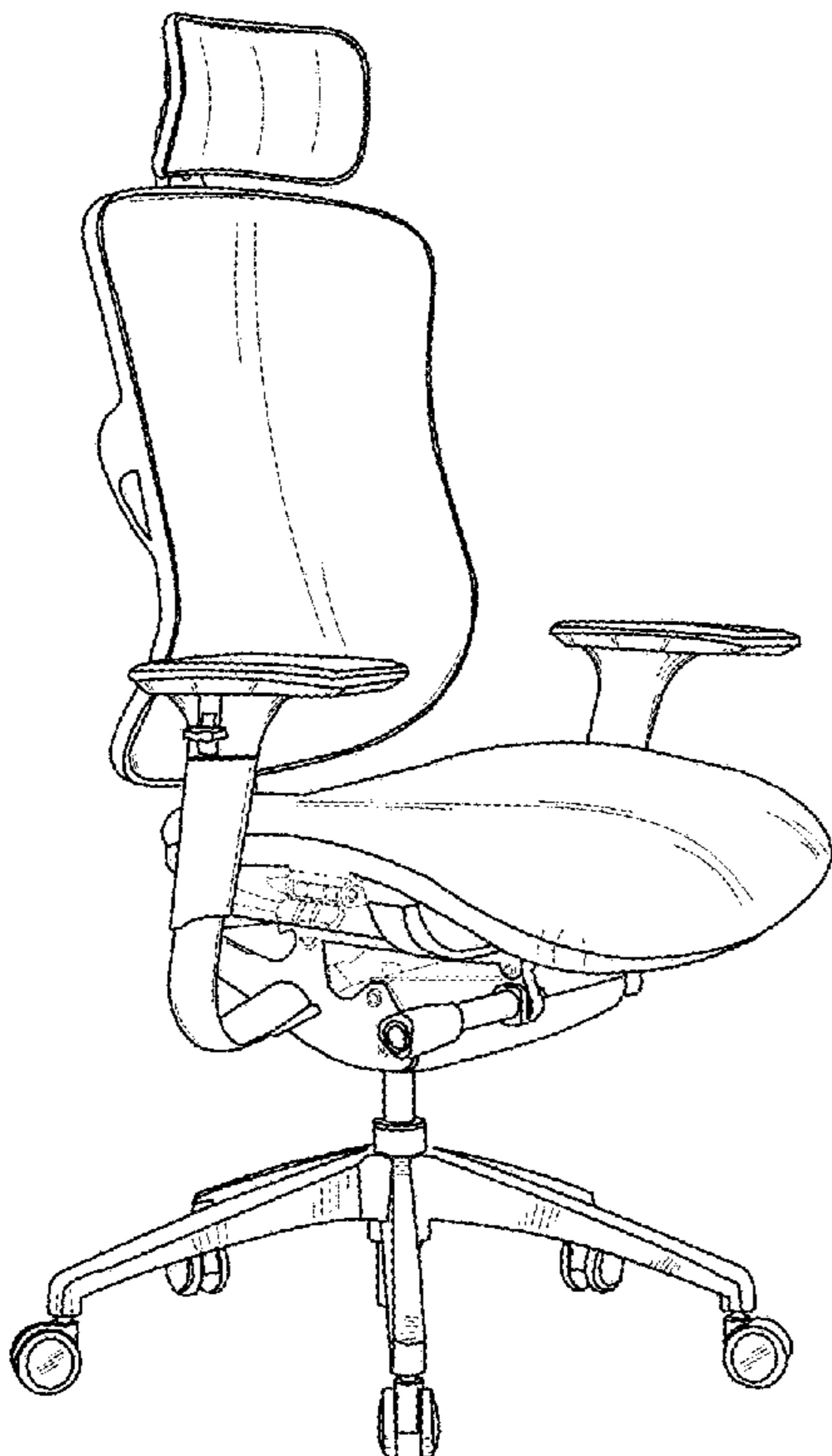
(57) **CLAIM**

I claim the ornamental design for an office chair, as shown and described.

DESCRIPTION

FIG. 1 is a perspective view of the office chair; FIG. 2 is a front view thereof; FIG. 3 is a rear view thereof; FIG. 4 is a left view thereof; FIG. 5 is a right view thereof; FIG. 6 is a top view thereof; and, FIG. 7 is a bottom view thereof. The broken lines shown in the drawings are for the purpose of illustrating portions of the office chair that form no part of the claimed design.

1 Claim, 7 Drawing Sheets



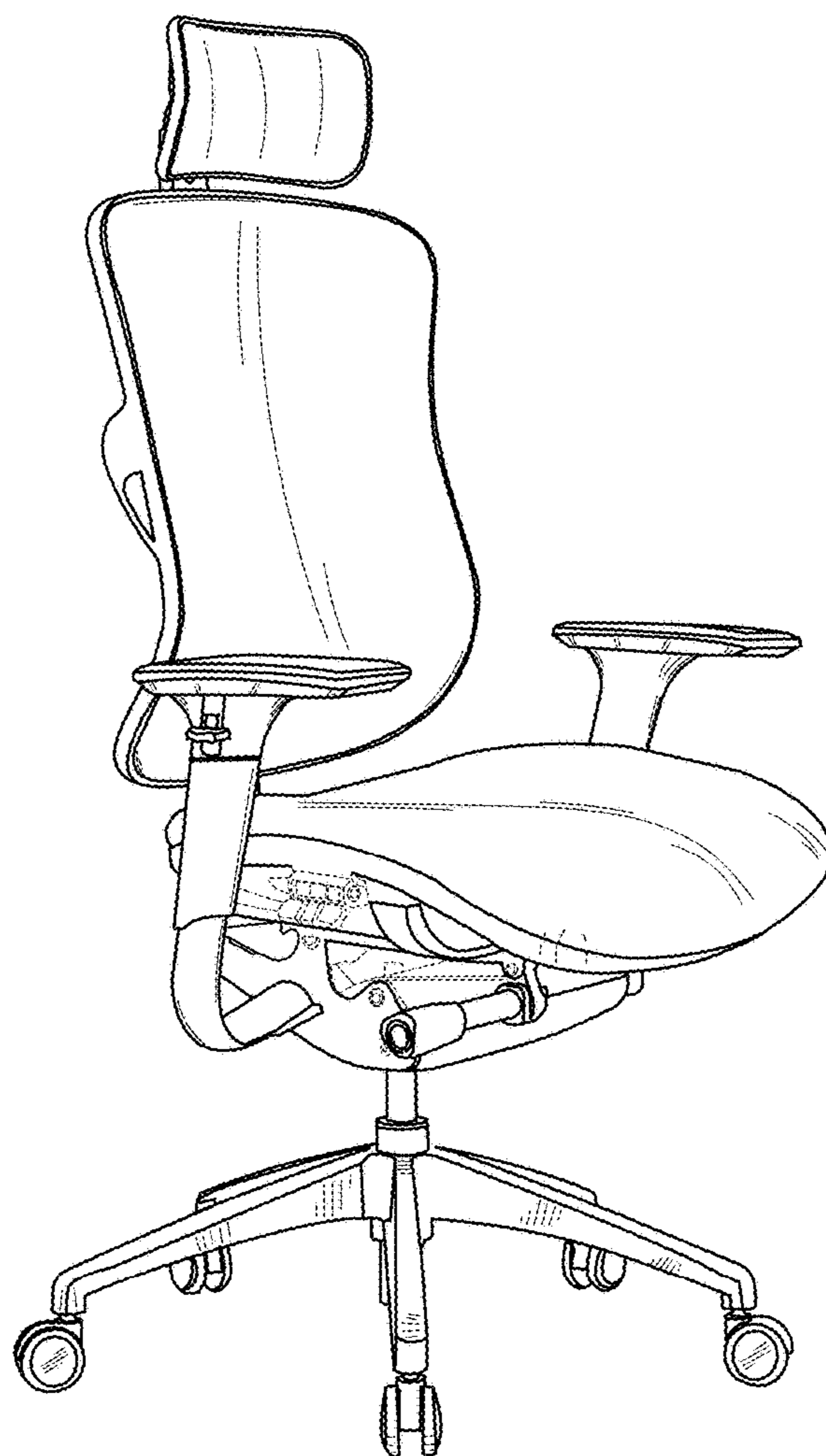


FIG. 1

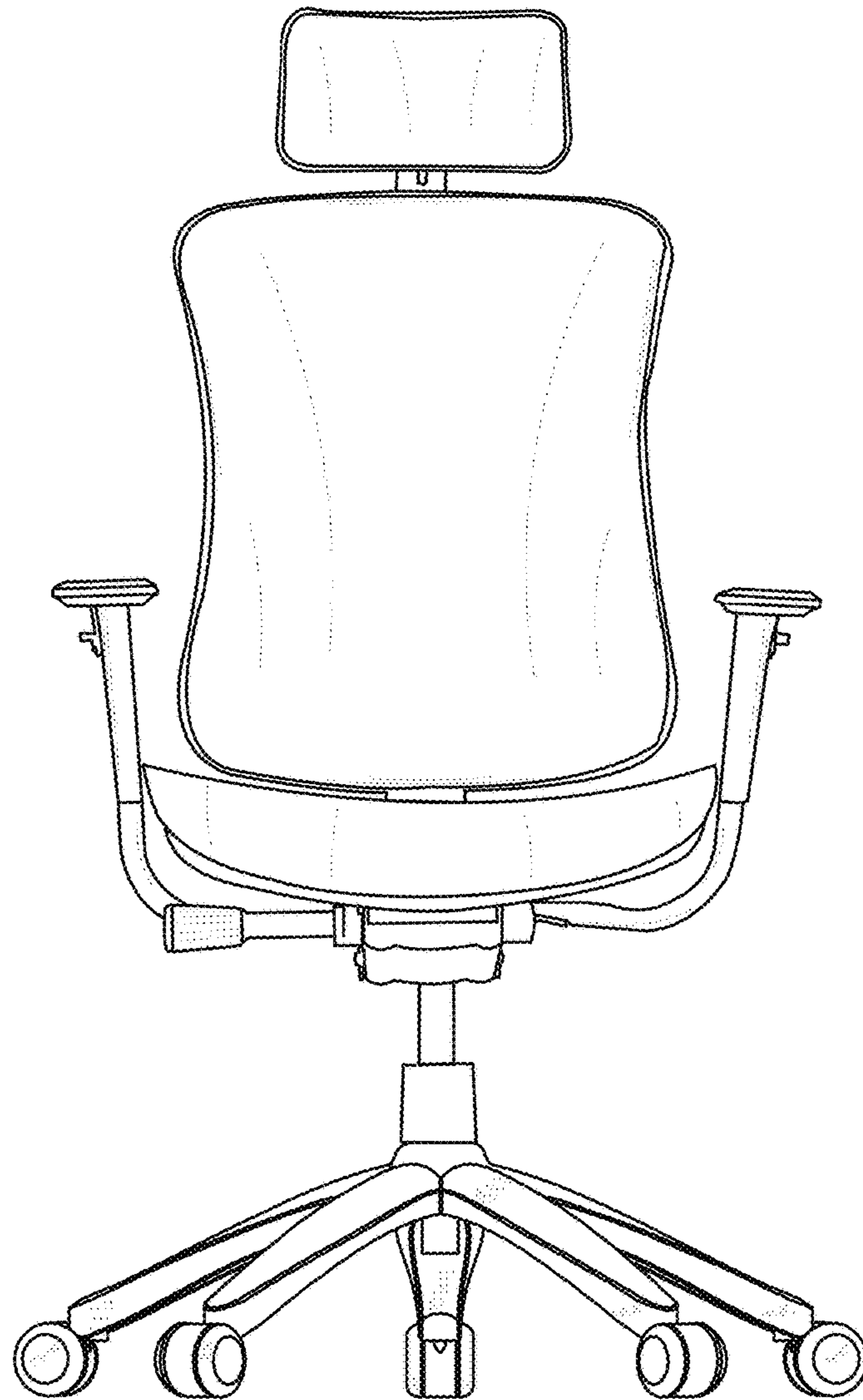


FIG.2

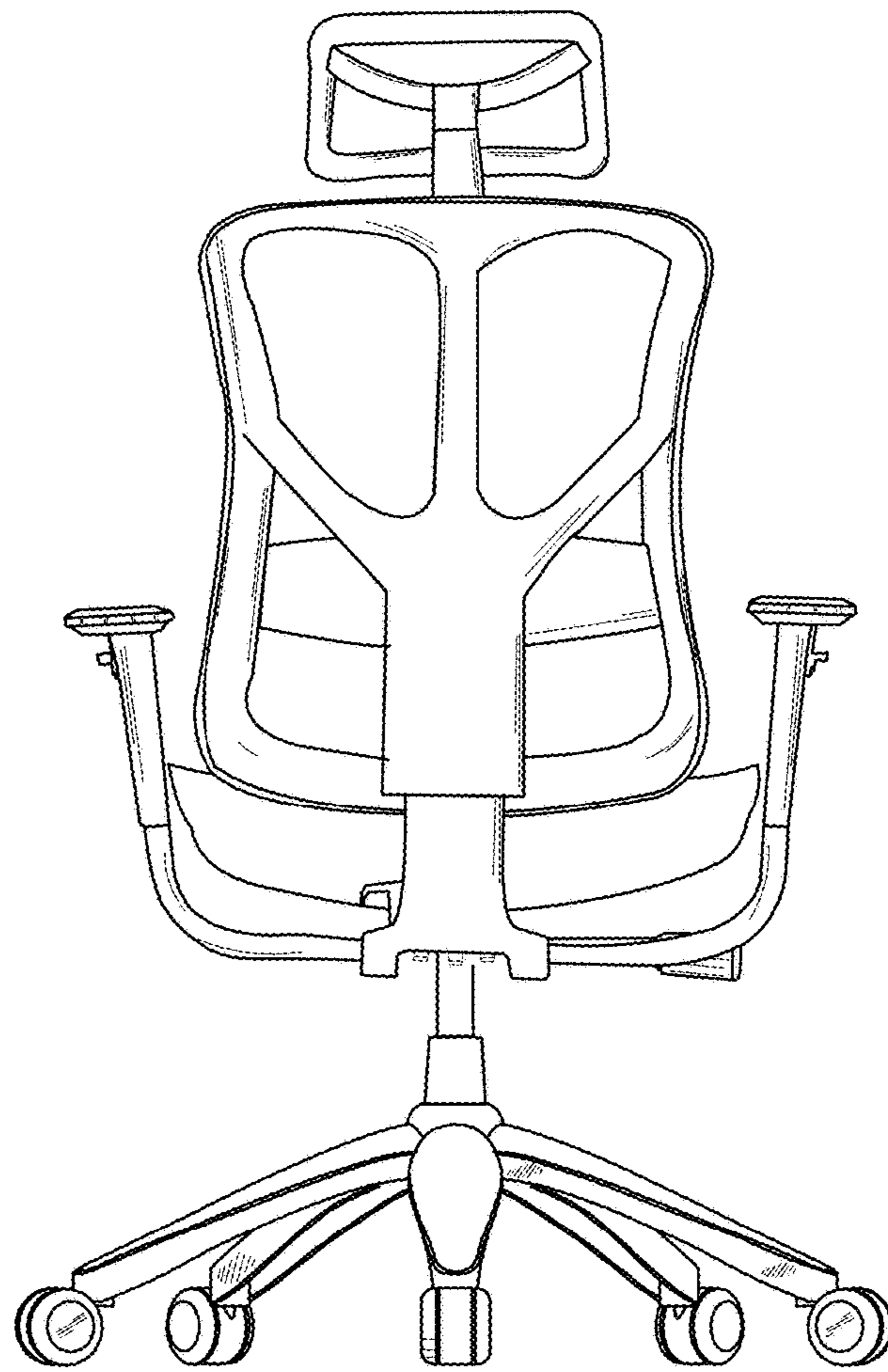


FIG. 3

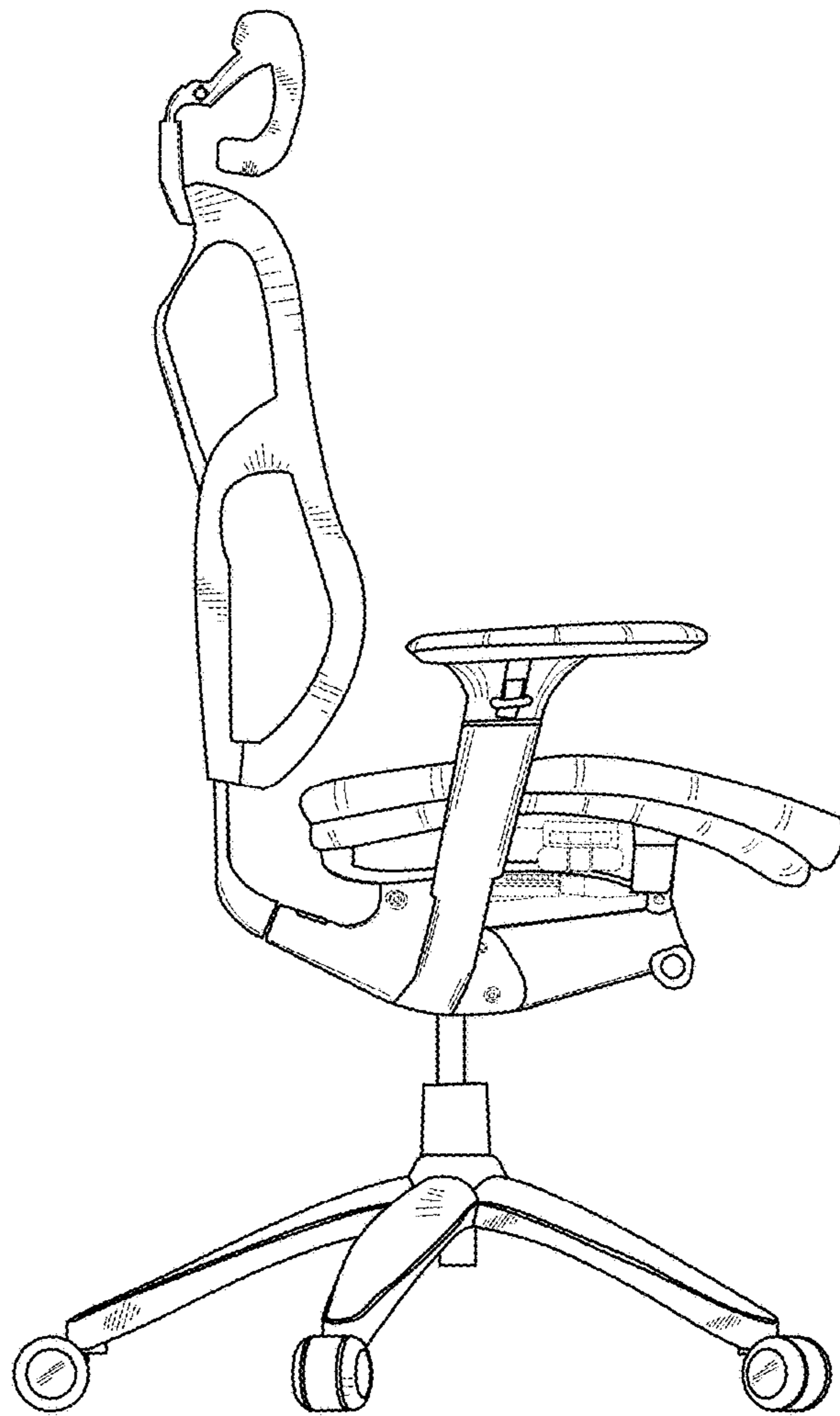


FIG. 4

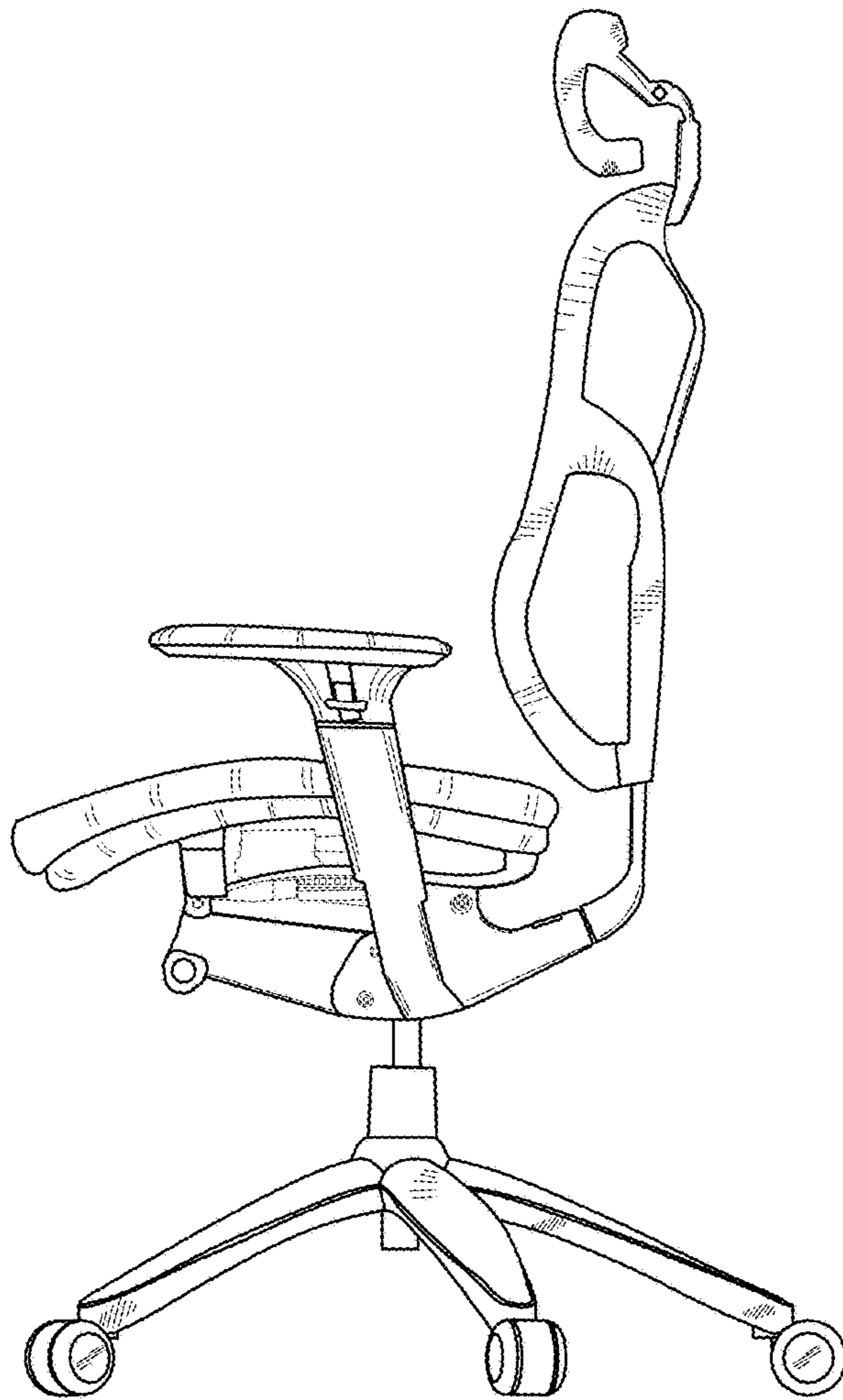


FIG. 5

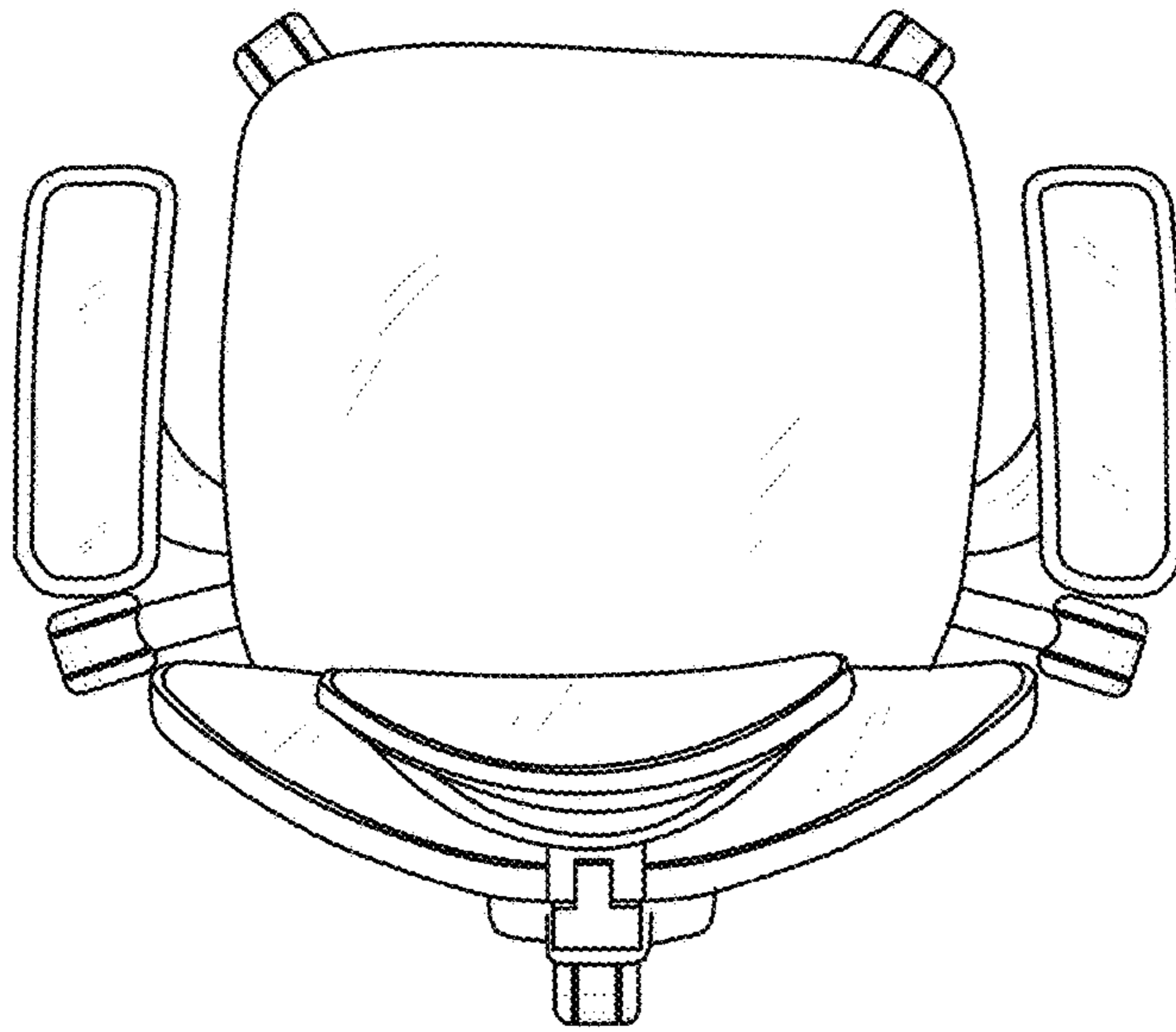


FIG.6

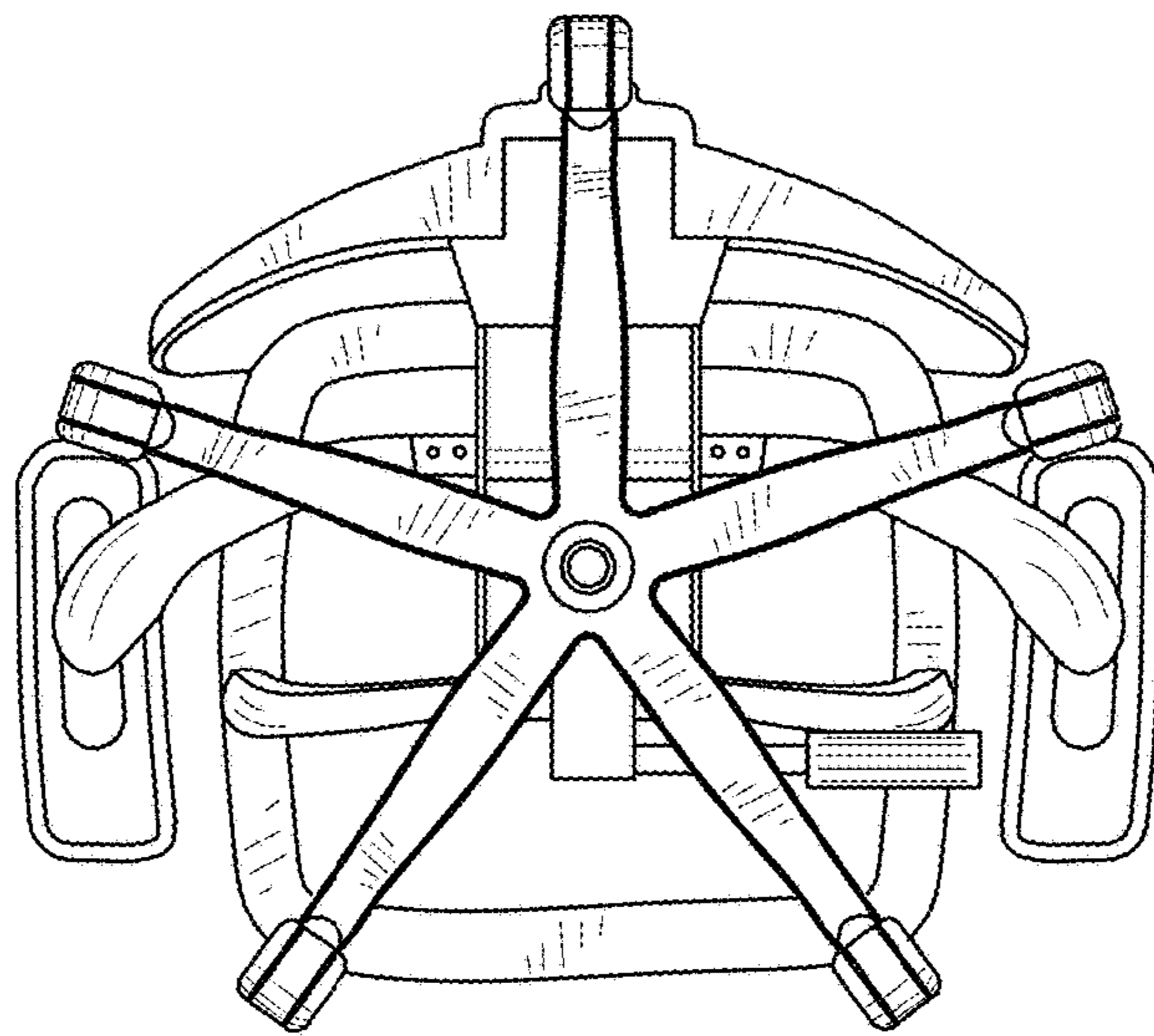


FIG. 7