



US00D863801S

(12) **United States Design Patent** (10) **Patent No.:** **US D863,801 S**
Citterio (45) **Date of Patent:** **** Oct. 22, 2019**

(54) **CHAIR**

(71) Applicant: **VITRA PATENTE AG**, Birsfelden (CH)

(72) Inventor: **Antonio Citterio**, Milan (IT)

(73) Assignee: **Vitra Patente AG** (CH)

(**) Term: **15 Years**

(21) Appl. No.: **29/607,102**

(22) Filed: **Jun. 9, 2017**

(51) **LOC (12) Cl.** **06-01**

(52) **U.S. Cl.**
USPC **D6/366**

(58) **Field of Classification Search**
USPC D6/334-336, 364, 365, 366, 367, 374,
D6/379, 380, 716, 716.1, 716.2, 716.3,
D6/716.4

CPC A47C 3/18; A47C 3/20; A47C 5/04; A47C
5/06; A47C 7/004; A47C 7/006; A47C
7/18; A47C 7/24; A47C 7/40; A47C 7/54

See application file for complete search history.

(56) **References Cited**

U.S. PATENT DOCUMENTS

D637,829 S * 5/2011 Citterio D6/366
D694,542 S * 12/2013 Citterio D6/366

* cited by examiner

Primary Examiner — Mimoso De

(74) *Attorney, Agent, or Firm* — Eric L. Sophir; Dentons
US LLP

(57) **CLAIM**

The ornamental design of a chair, as shown and described.

DESCRIPTION

FIG. 1 is a front, right perspective-view of a chair according to one embodiment;
FIG. 2 is a front view thereof;
FIG. 3 is a right-side view thereof;
FIG. 4 is a back-view thereof;
FIG. 5 is a left-side view thereof;
FIG. 6 is a top view thereof;
FIG. 7 is a bottom view thereof;
FIG. 8 is a front, right perspective-view of a chair according to another embodiment;
FIG. 9 is a front view thereof;
FIG. 10 is a right-side view thereof;
FIG. 11 is a back-view thereof;
FIG. 12 is a left-side view thereof;
FIG. 13 is a top view thereof; and,
FIG. 14 is a bottom view thereof.

1 Claim, 14 Drawing Sheets





FIG. 1



FIG. 2



FIG. 3

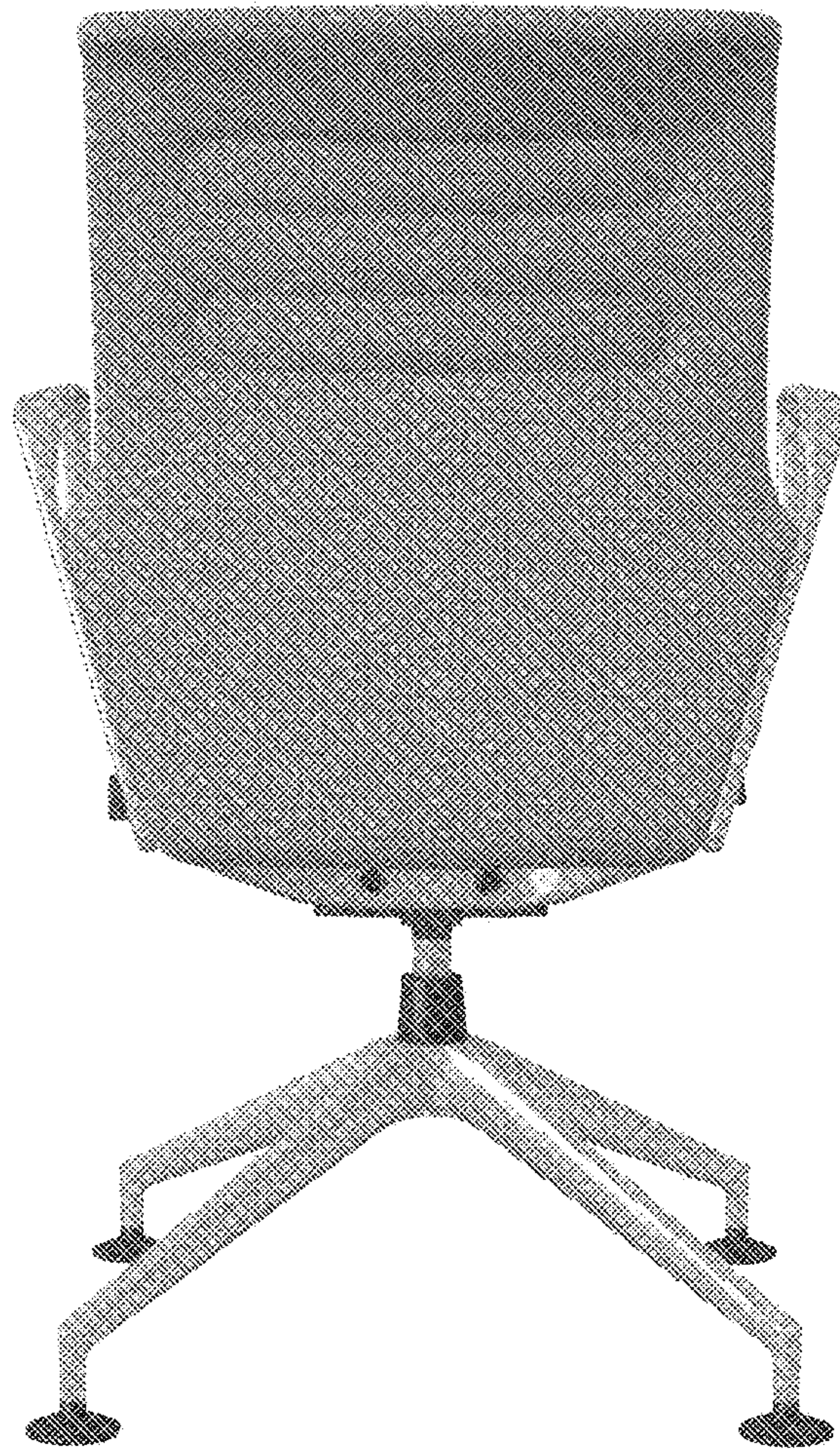


FIG. 4



FIG. 5

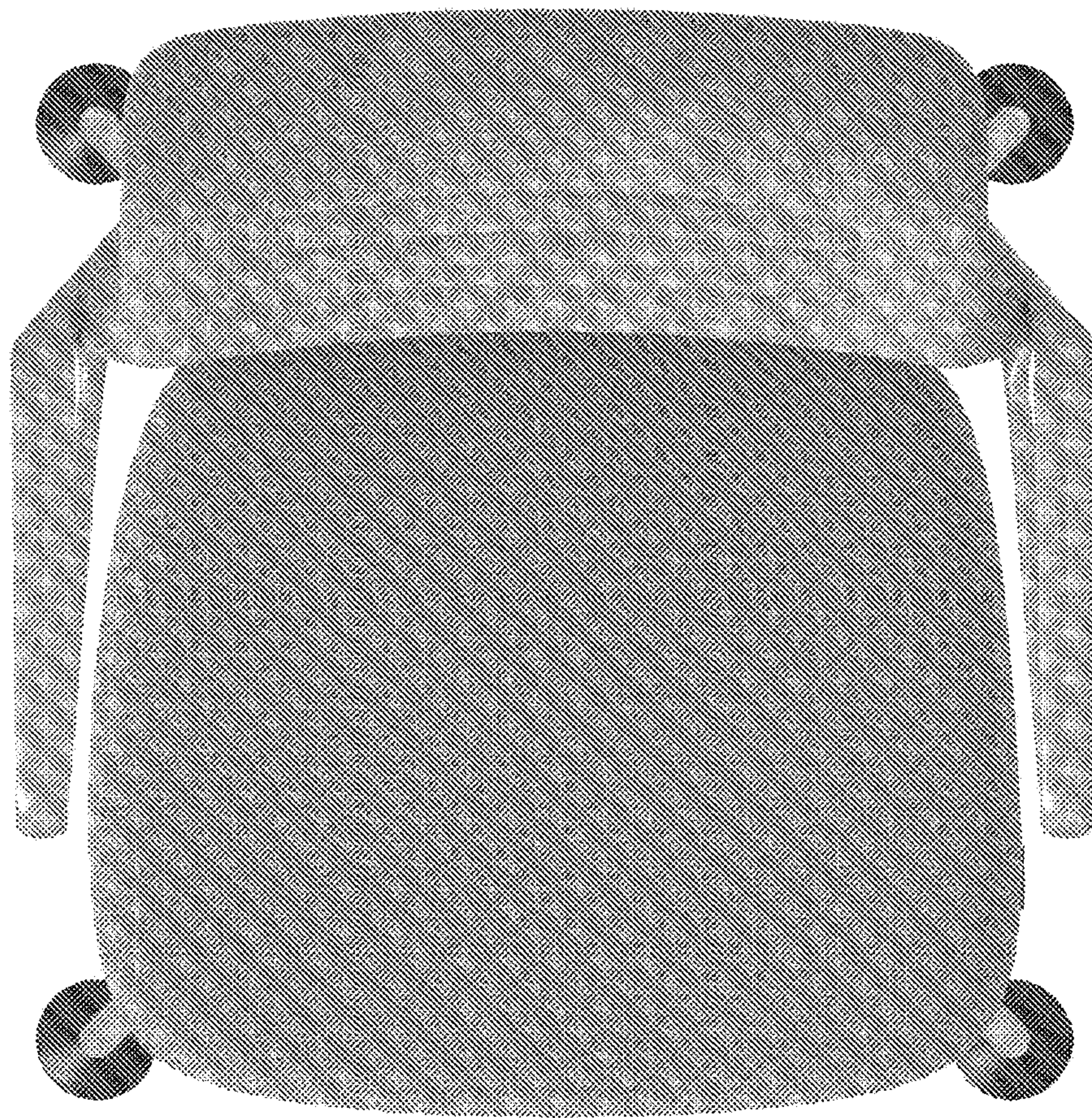


FIG. 6

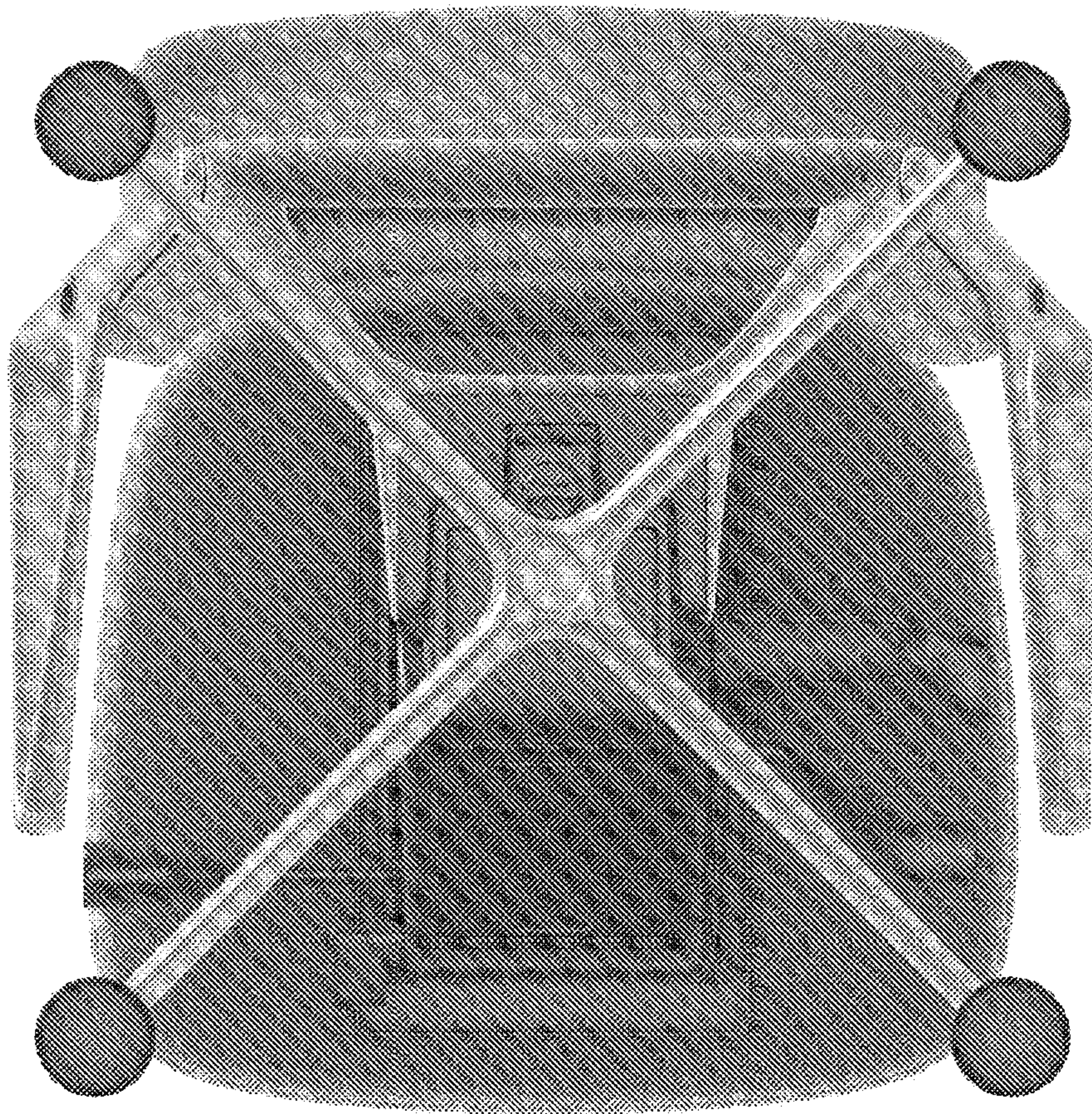


FIG. 7



FIG. 8



FIG. 9



FIG. 10



FIG. 11



FIG. 12

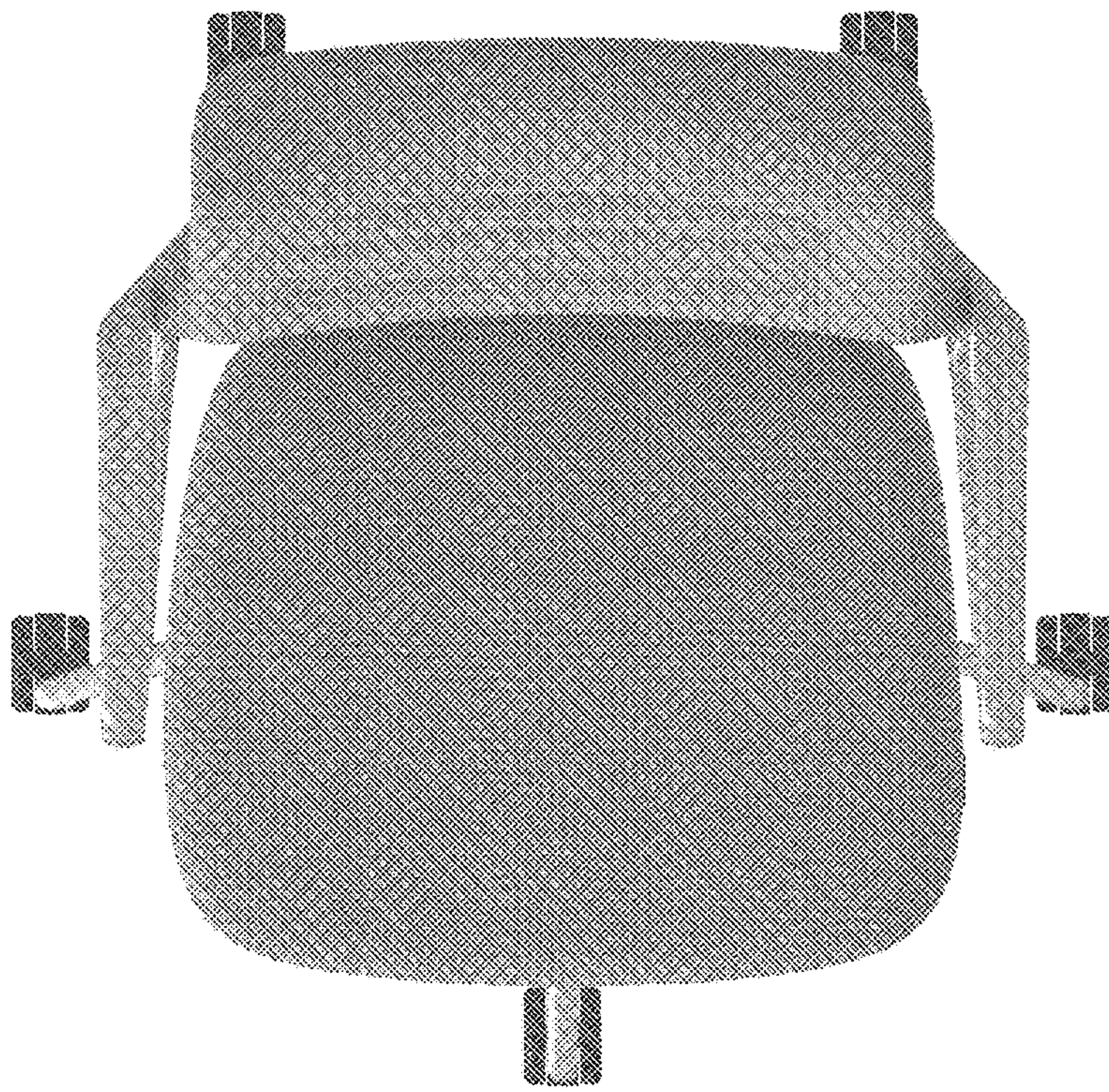


FIG. 13

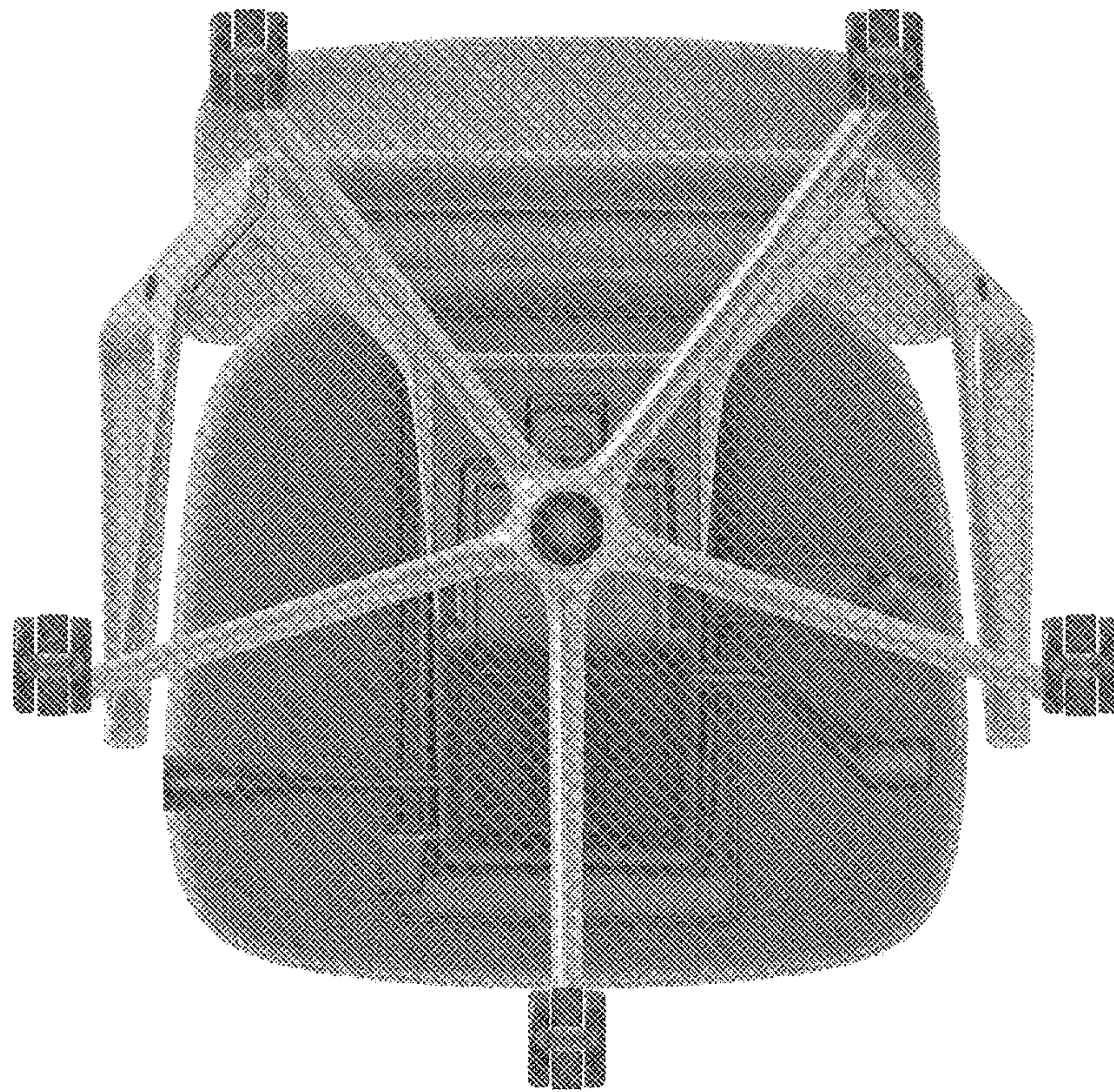


FIG. 14