



US00D863797S

(12) **United States Design Patent** (10) **Patent No.:** **US D863,797 S**
Qu (45) **Date of Patent:** **** Oct. 22, 2019**

(54) **INFLATABLE FOOTREST**
(71) Applicant: **LIAOCHENG AICHUANG
COMMERCIAL & TRADE CO.,
LTD.**, Liaocheng, Shandong (CN)
(72) Inventor: **Xiaohu Qu**, Shandong (CN)
(73) Assignee: **LIAOCHENG AICHUANG
COMMERCIAL & TRADE CO.,
LTD.**, Liaocheng, Shandong (CN)
(**) Term: **15 Years**
(21) Appl. No.: **29/653,391**
(22) Filed: **Jun. 14, 2018**
(30) **Foreign Application Priority Data**
May 30, 2018 (CN) 2018 3 0263691
(51) **LOC (12) Cl.** **06-01**
(52) **U.S. Cl.**
USPC **D6/349**
(58) **Field of Classification Search**
USPC D6/334-338, 340-343, 349-353, 355,
D6/364-366, 596, 601, 604, 691-691.9,
D6/692-692.6, 716-716.1; D25/65
CPC A47B 7/00-02; A47C 11/00; A47C 12/00;
A47C 16/02-04; A47C 9/00-105
See application file for complete search history.

(56) **References Cited**
U.S. PATENT DOCUMENTS
D300,884 S * 5/1989 Friedman D6/349
D464,225 S * 10/2002 Boso D6/604

D580,666 S * 11/2008 Sempe D6/349
D634,959 S * 3/2011 McNaughton D6/601
D658,421 S * 5/2012 Williams D6/604
D764,189 S * 8/2016 Edwards D6/349
D767,148 S * 9/2016 Perreault D24/183
D808,186 S * 1/2018 Oomen D6/361
D829,459 S * 10/2018 Schnermann D6/361
D831,990 S * 10/2018 Lu D6/349
D835,424 S * 12/2018 Fu D6/349

OTHER PUBLICATIONS

Gfbyq Long-Distance Inflatable Foot Pad, Leg Upgraded Artifact Travel Lunch Break Pillow Neck Pillow Car with Sleeping (Color : D). [online] Retrieved Jun. 10, 2019 from URL: https://www.amazon.com/dp/B07P95R97Y/ref=cm_sw_r_em_api_i_c_iRB-CbD798GCK.*

* cited by examiner

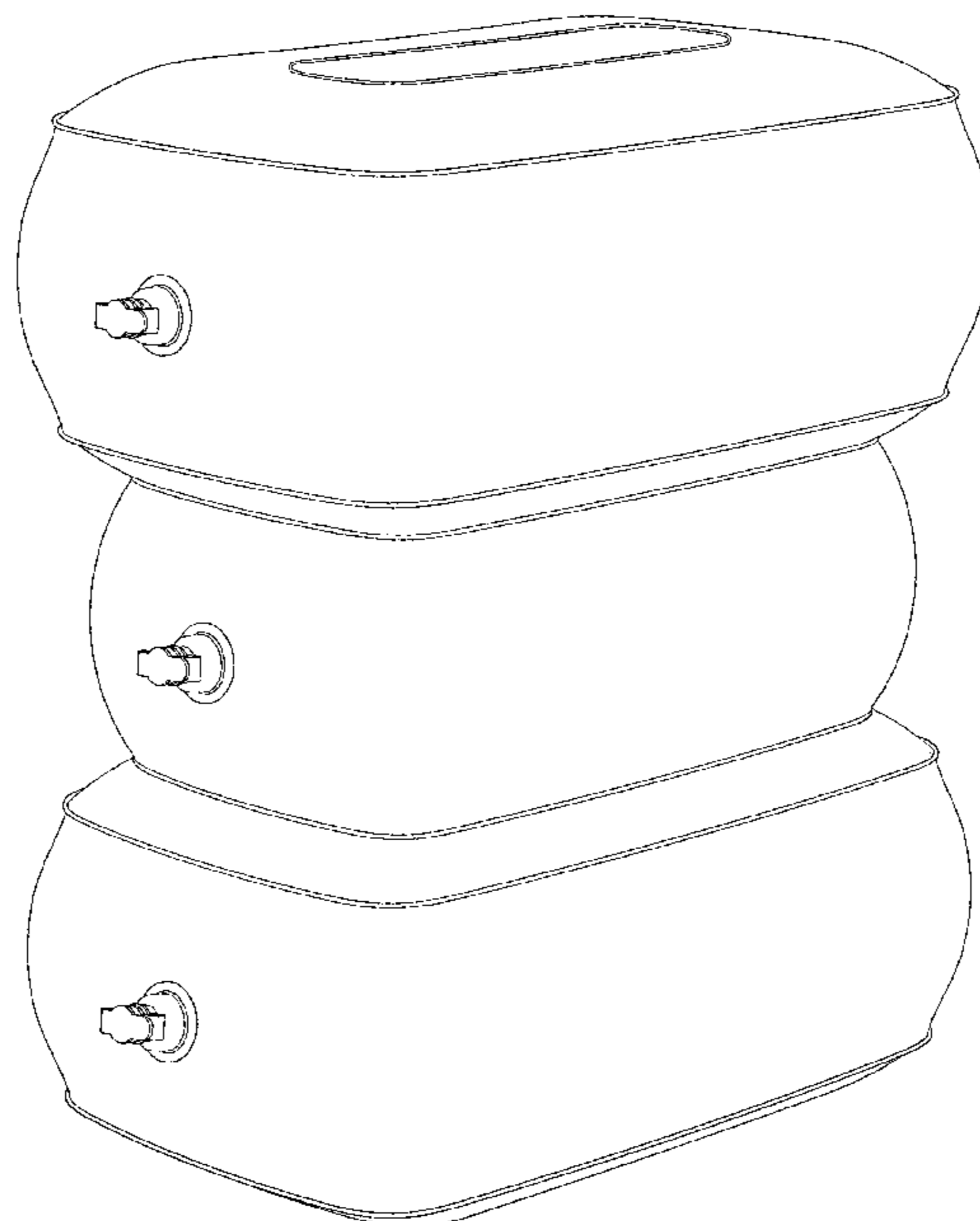
Primary Examiner — Vy N Koenig
(74) *Attorney, Agent, or Firm* — Merchant & Gould P.C.

(57) **CLAIM**
The ornamental design for an inflatable footrest, as shown and described.

DESCRIPTION

FIG. 1 is a front view of an inflatable footrest, showing my new design;
FIG. 2 is a rear view thereof;
FIG. 3 is a left view thereof;
FIG. 4 is a right view thereof;
FIG. 5 is a top view thereof;
FIG. 6 is a bottom view thereof;
FIG. 7 is a first perspective view thereof; and,
FIG. 8 is a second perspective view thereof.

1 Claim, 8 Drawing Sheets



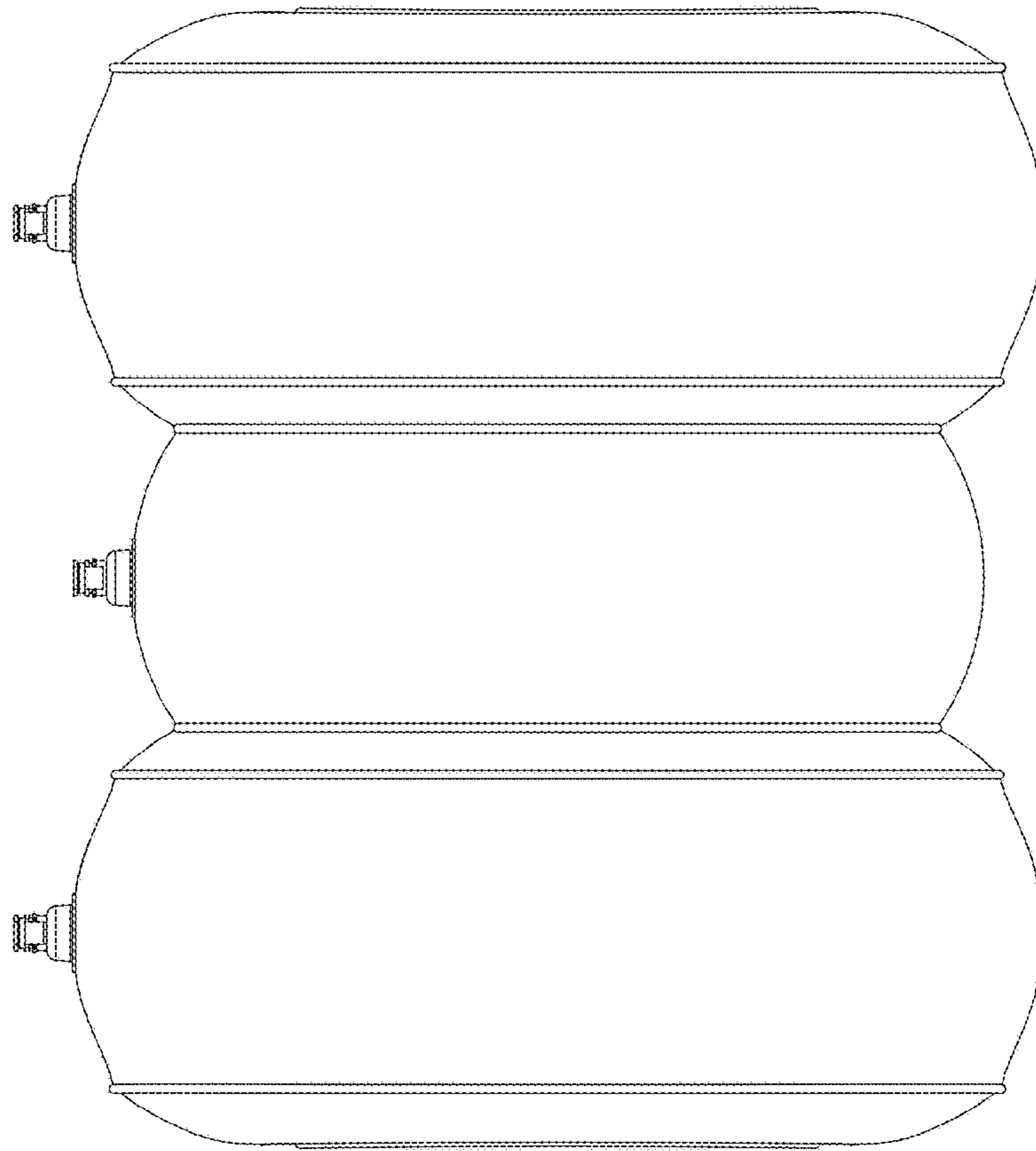


Fig. 1

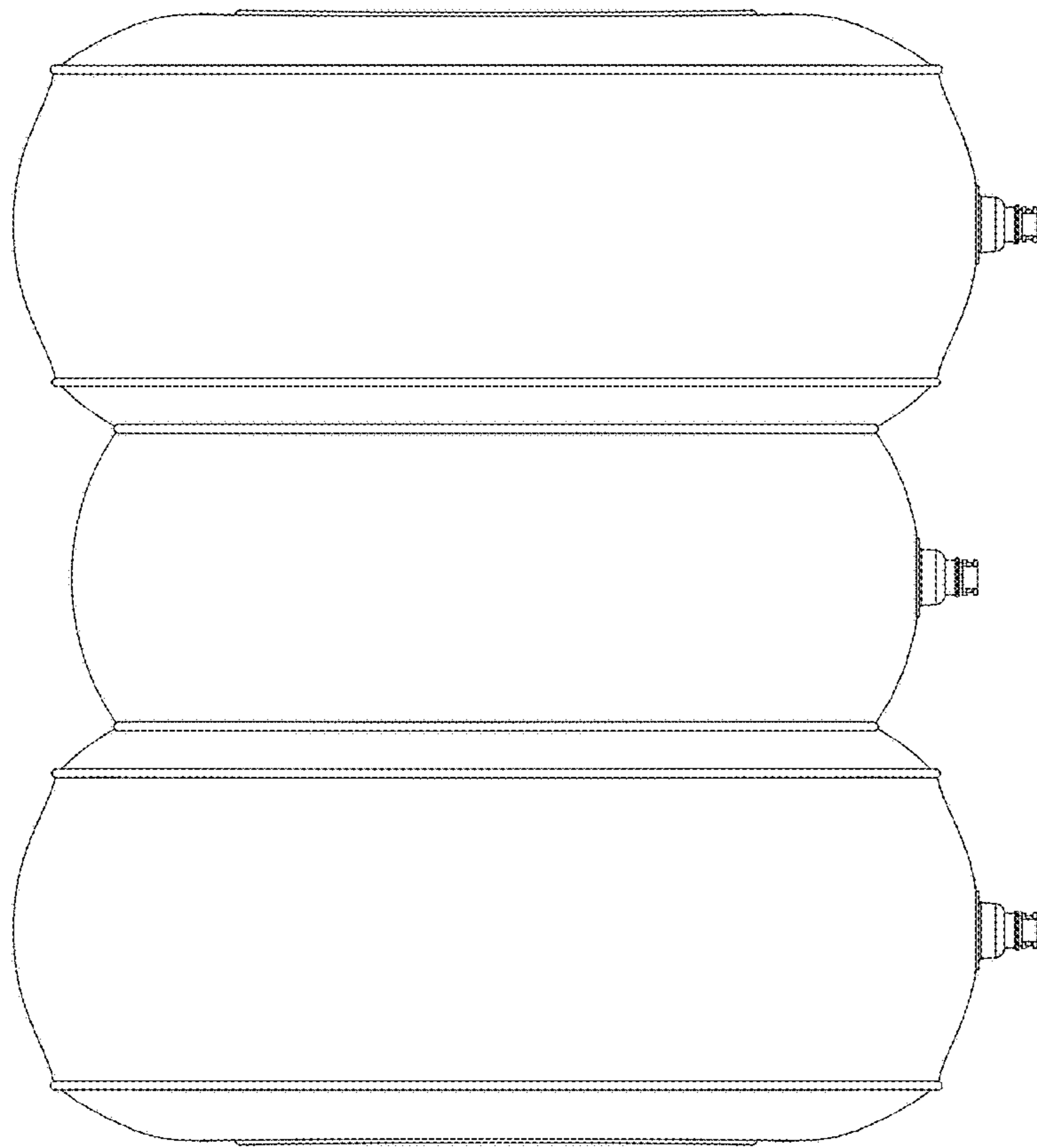


Fig. 2

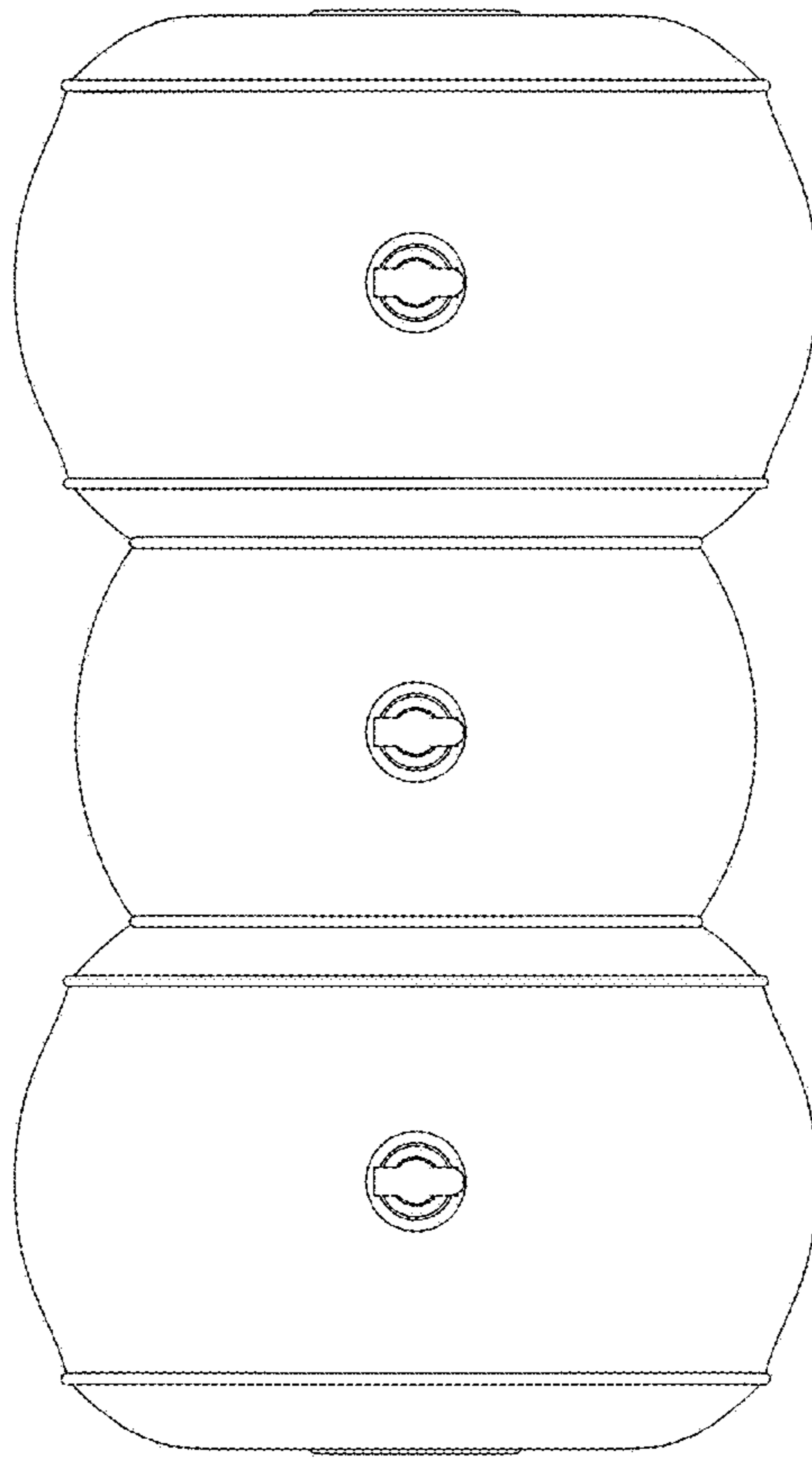


Fig. 3

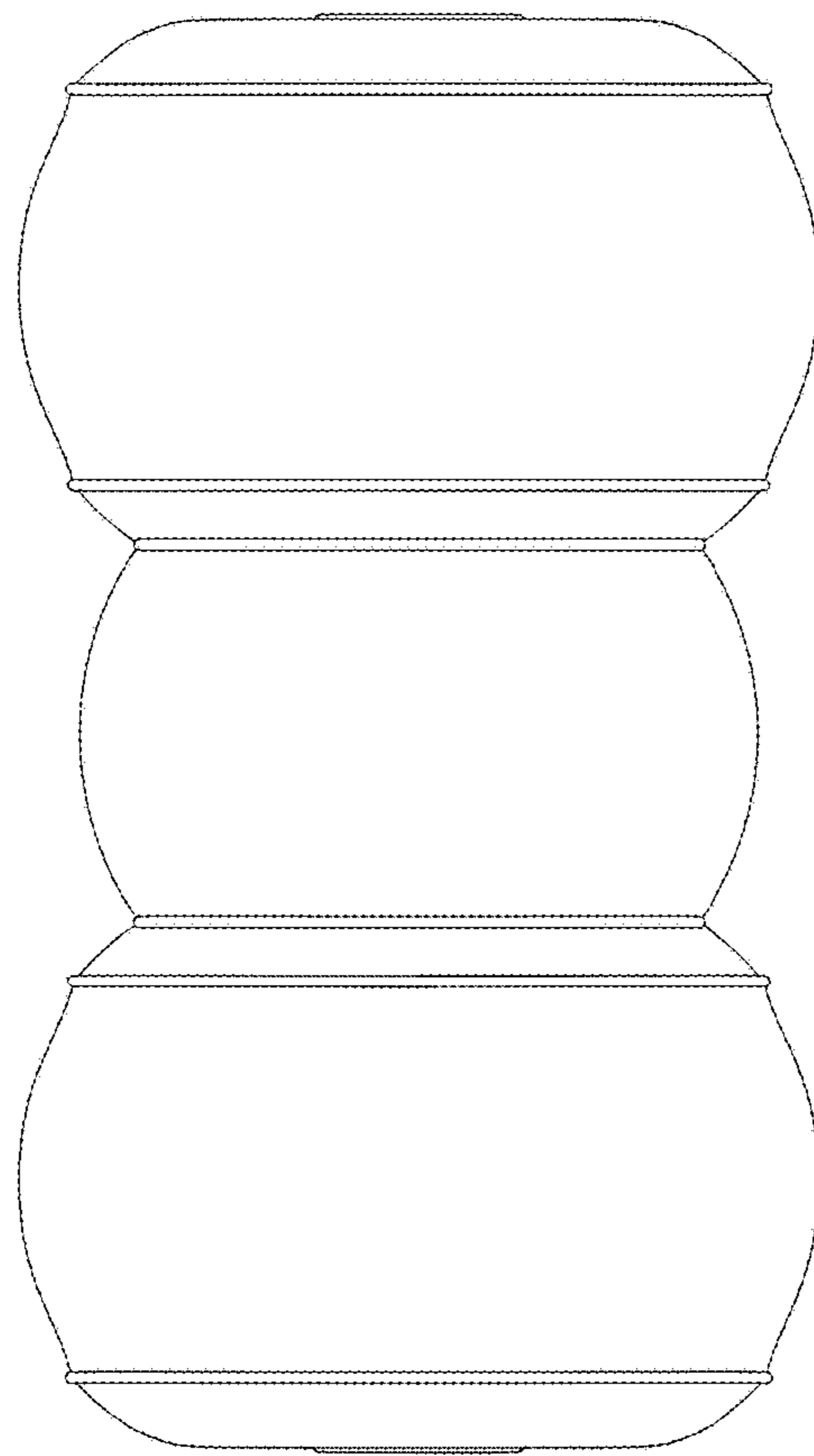


Fig. 4

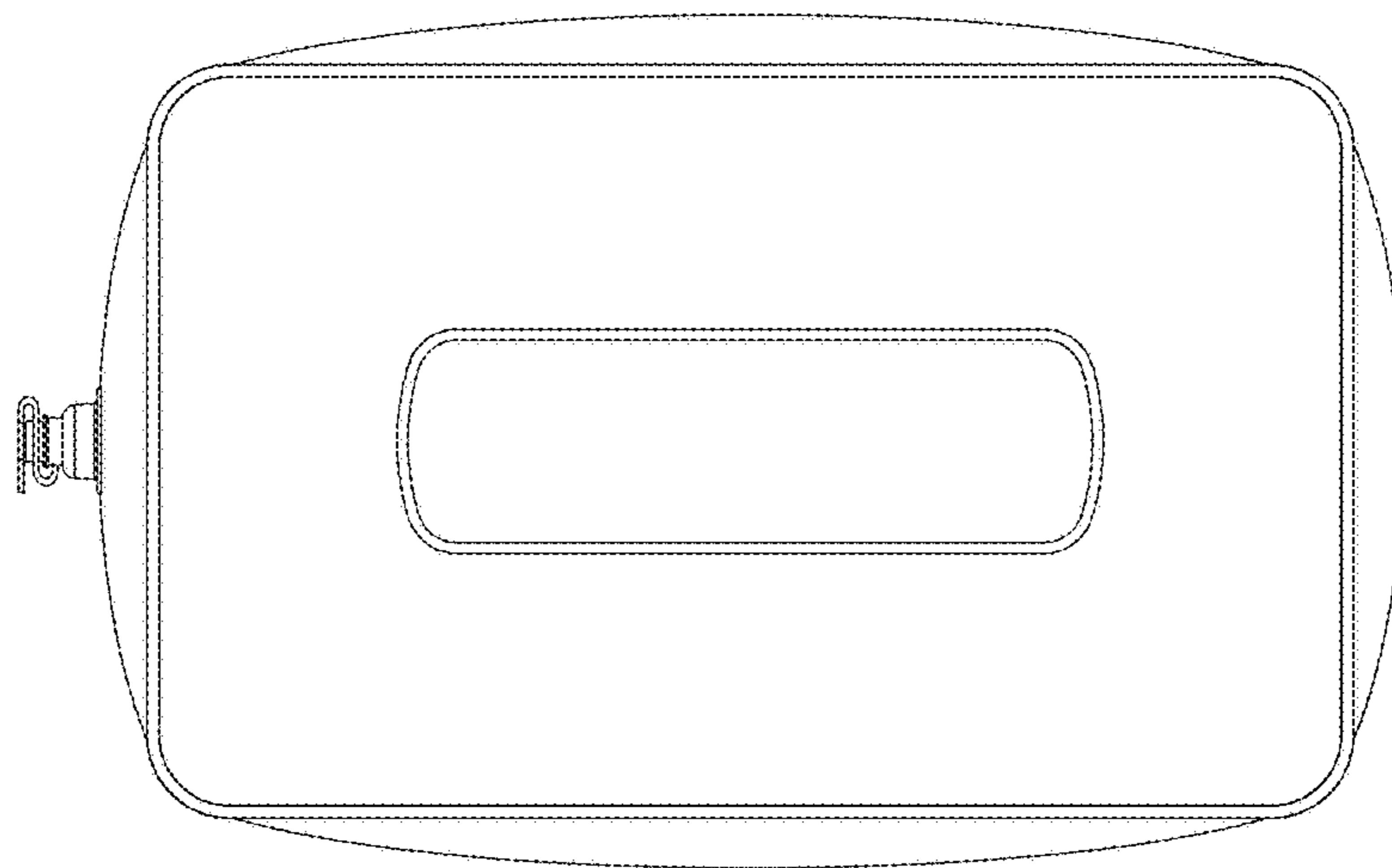


Fig. 5

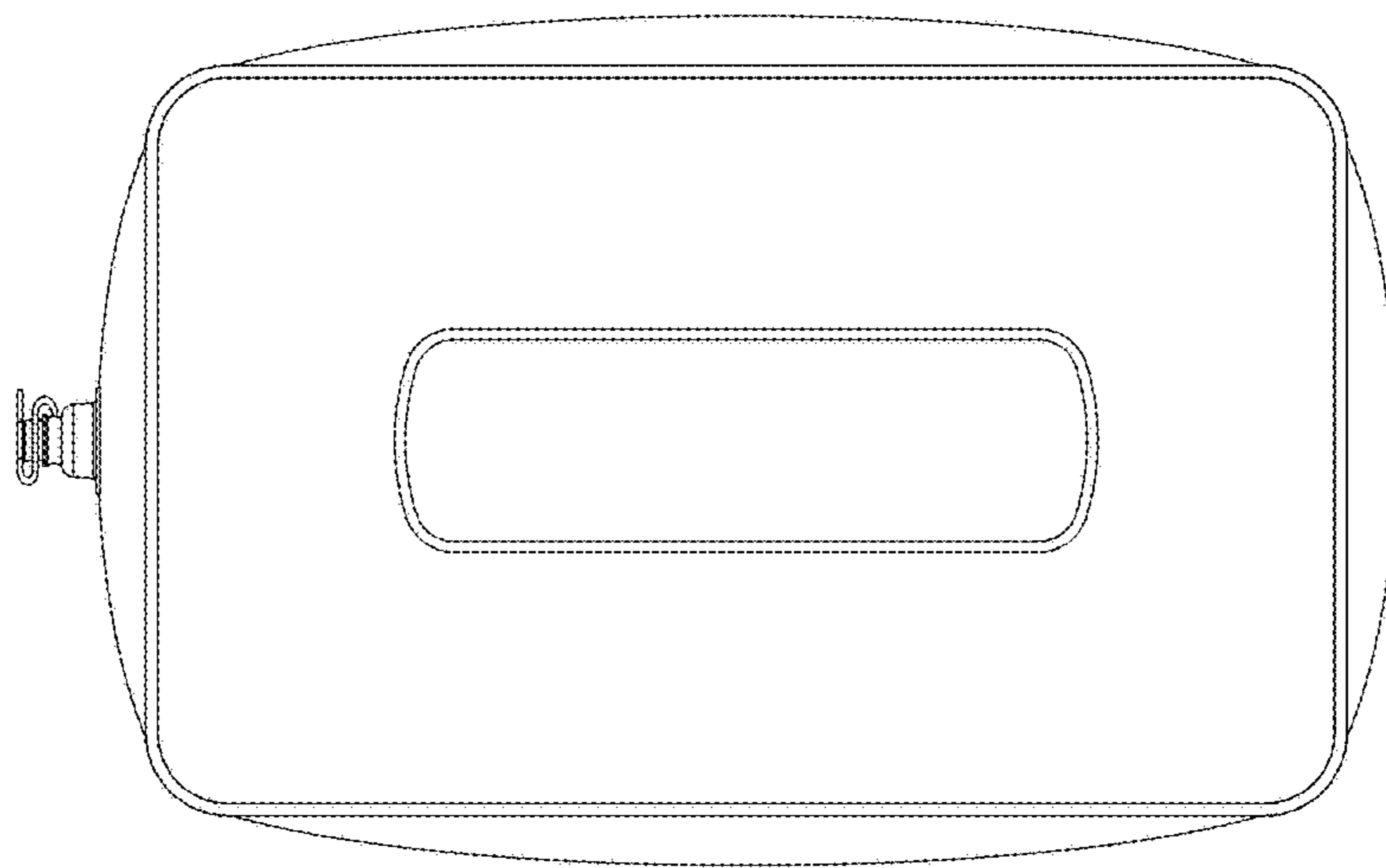


Fig. 6

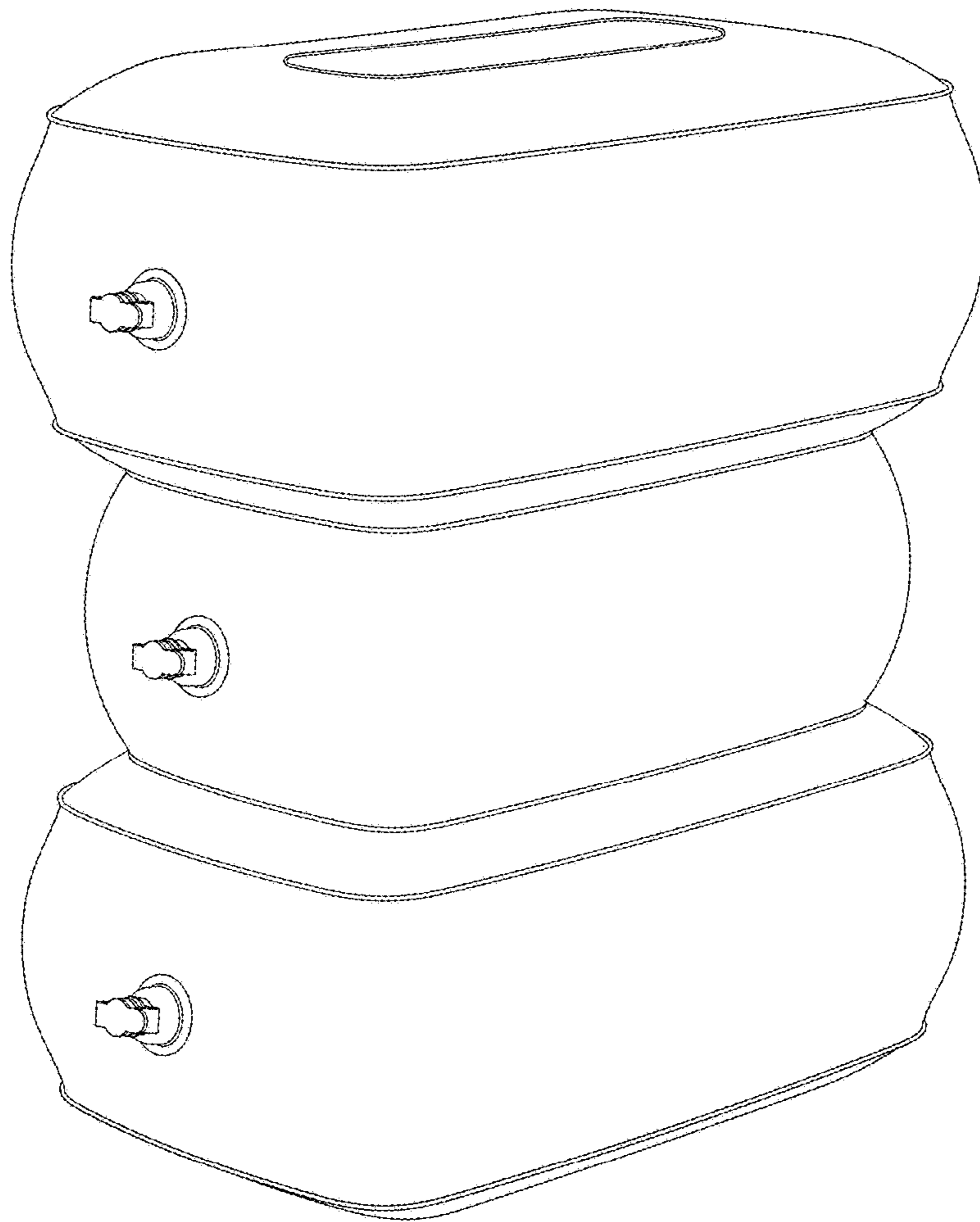


Fig. 7

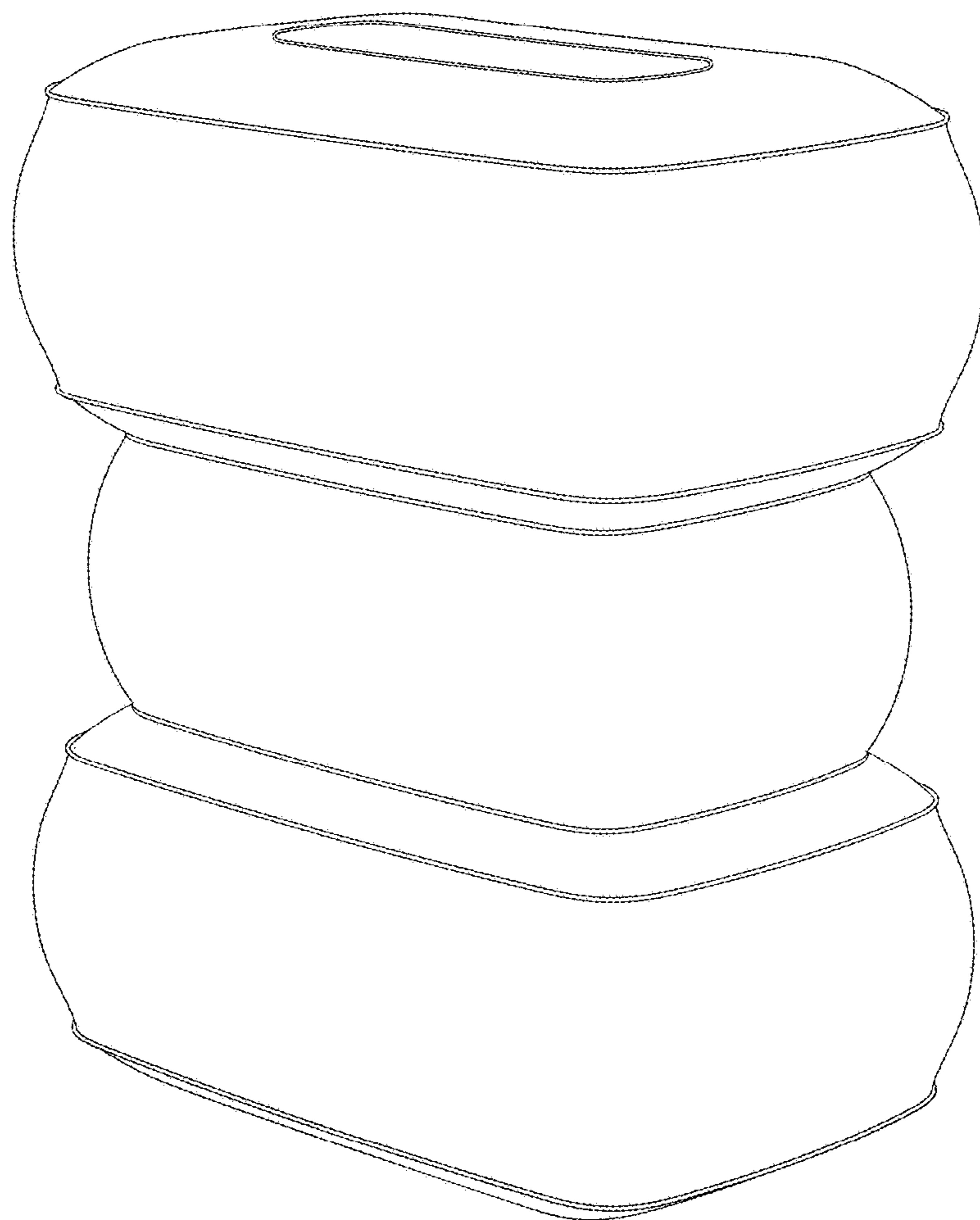


Fig. 8