



US00D863796S

(12) **United States Design Patent** (10) **Patent No.:** **US D863,796 S**
Jacoby (45) **Date of Patent:** **** Oct. 22, 2019**

(54) **STOOL**
(71) Applicant: **Eric Jacoby Design, Inc.**, Salt Lake City, UT (US)
(72) Inventor: **Eric Robert Jacoby**, Salt Lake City, UT (US)
(73) Assignee: **Eric Jacoby Design, Inc.**, Salt Lake City, UT (US)
(**) Term: **15 Years**
(21) Appl. No.: **29/645,492**
(22) Filed: **Apr. 26, 2018**
(51) **LOC (12) Cl.** **06-01**
(52) **U.S. Cl.**
USPC **D6/349; D6/360**
(58) **Field of Classification Search**
USPC D6/334-338, 340-343, 349-353, 355, D6/364-365, 691-691.9, 692-692.6, 360; D25/65
CPC A47B 7/00-02; A47C 11/00; A47C 13/00; A47C 16/00; A47C 16/02-04; A47C 9/00-105; A47C 17/02; A47C 17/028
See application file for complete search history.

D617,567 S * 6/2010 Stiker Metral D6/360
D645,267 S * 9/2011 Aubry D6/360
D693,161 S * 11/2013 Polidoros D6/708
D703,455 S * 4/2014 Mulholland D6/349
D704,942 S * 5/2014 Morrison D6/349
D737,585 S * 9/2015 Mick D6/349
D796,220 S * 9/2017 Asner D6/370

OTHER PUBLICATIONS

Tectonic Stool Eric Jacoby Design. [online] Retrieved Mar. 7, 2019 from URL: <https://ericjacobydesign.com/products/tectonic-stool?variant=14832159096944>.*

* cited by examiner

Primary Examiner — Vy N Koenig
(74) *Attorney, Agent, or Firm* — Lee & Hayes, P.C.

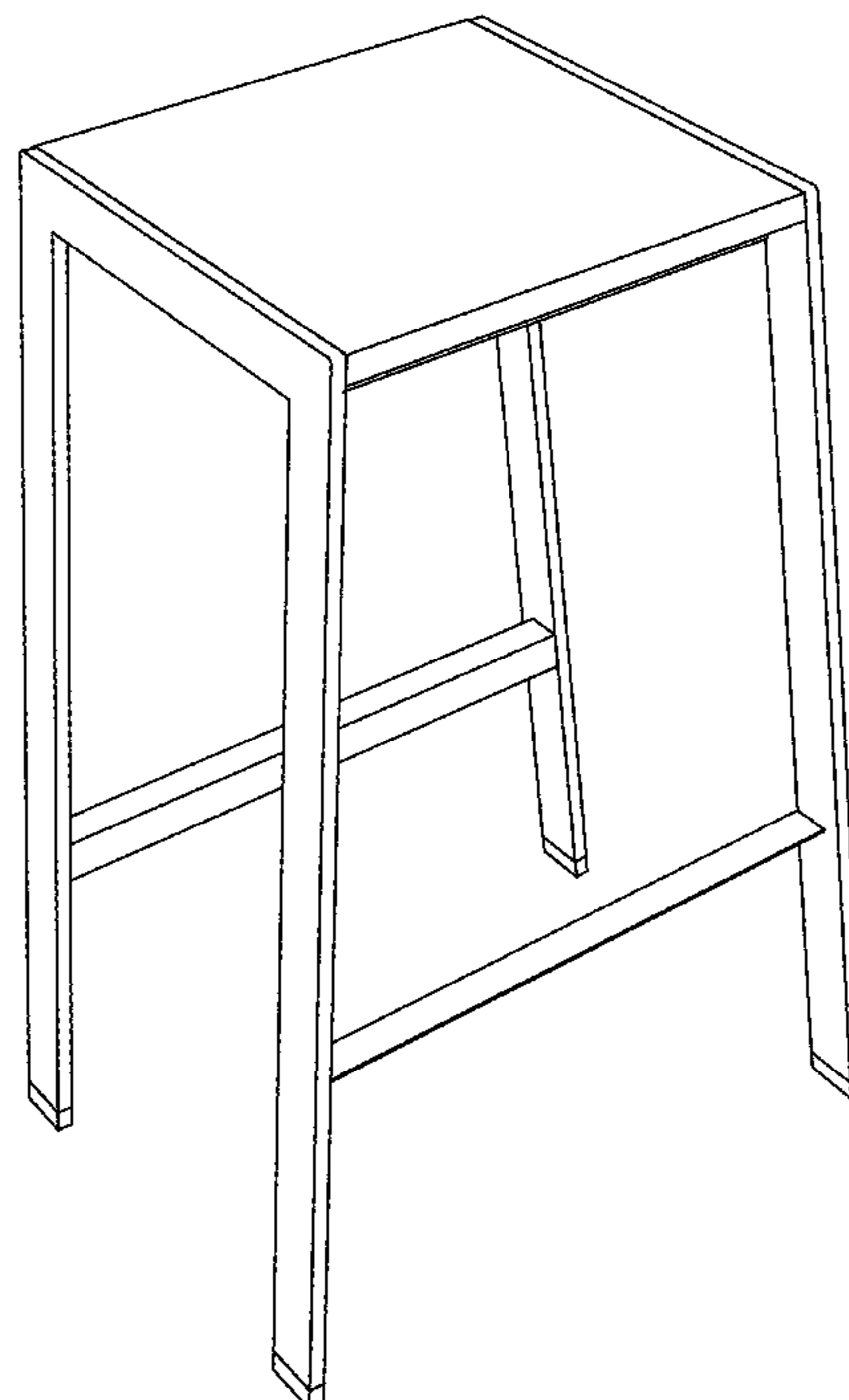
(57) **CLAIM**
The ornamental design for a stool, as shown and described.

DESCRIPTION

FIG. 1 is a top perspective view of a stool showing the new design;
FIG. 2 is a top perspective view of the stool;
FIG. 3 is a bottom perspective view of the stool;
FIG. 4 is a left side elevational view of the stool;
FIG. 5 is a front side elevational view of the stool;
FIG. 6 is a right side elevational view of the stool;
FIG. 7 is a back side elevational view of the stool;
FIG. 8 is a top elevational view of the stool;
FIG. 9 is a bottom elevational view of the stool;
FIG. 10 is a top isometric view of the stool; and,
FIG. 11 is a bottom isometric view of the stool.

1 Claim, 11 Drawing Sheets

(56) **References Cited**
U.S. PATENT DOCUMENTS
D347,739 S * 6/1994 Beaulieu D6/360
D468,918 S * 1/2003 de Blois D6/360
D472,396 S * 4/2003 de Blois D6/349
D556,466 S * 12/2007 Foster D6/349
D564,772 S * 3/2008 Alter Molina D6/375



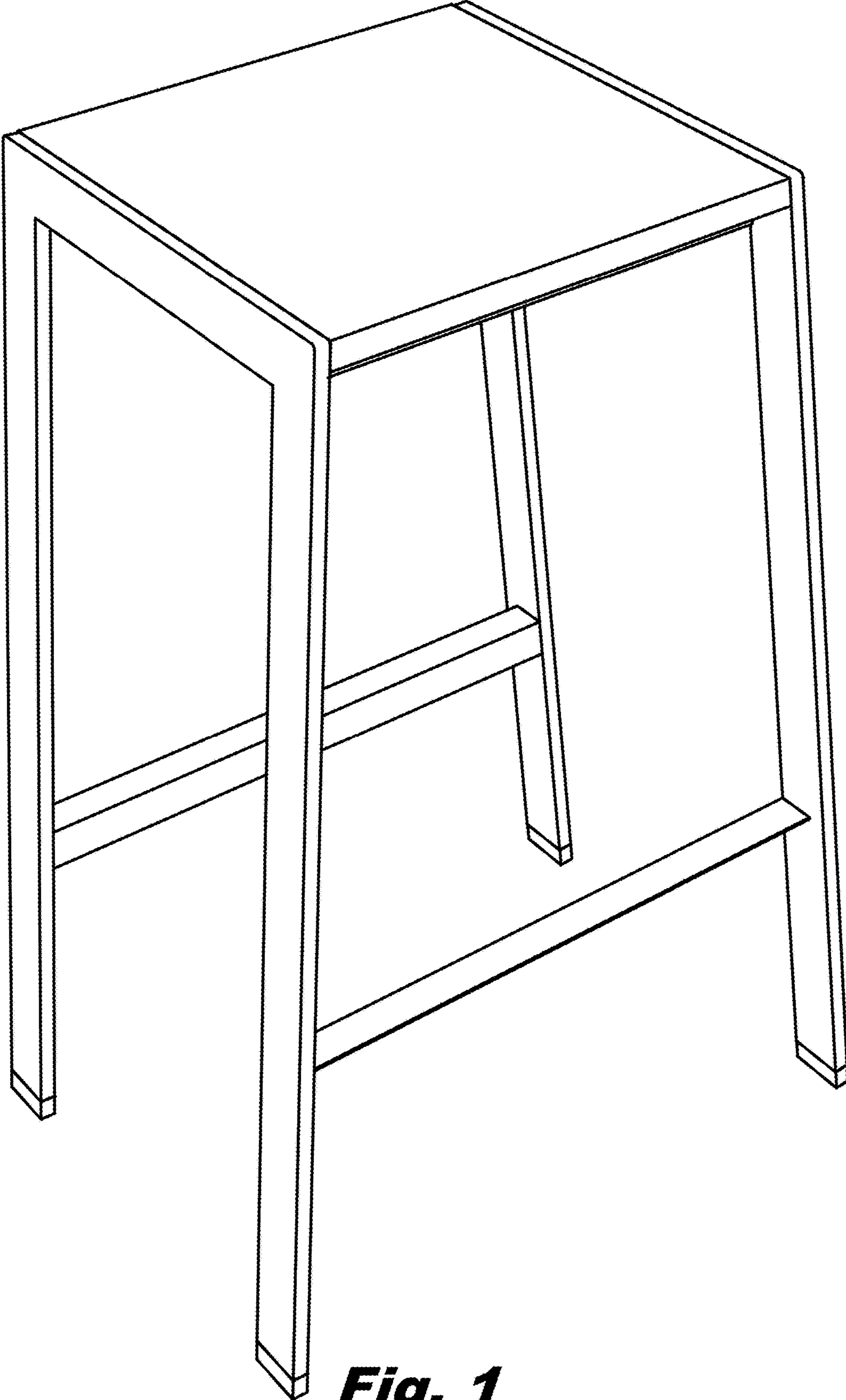


Fig. 1

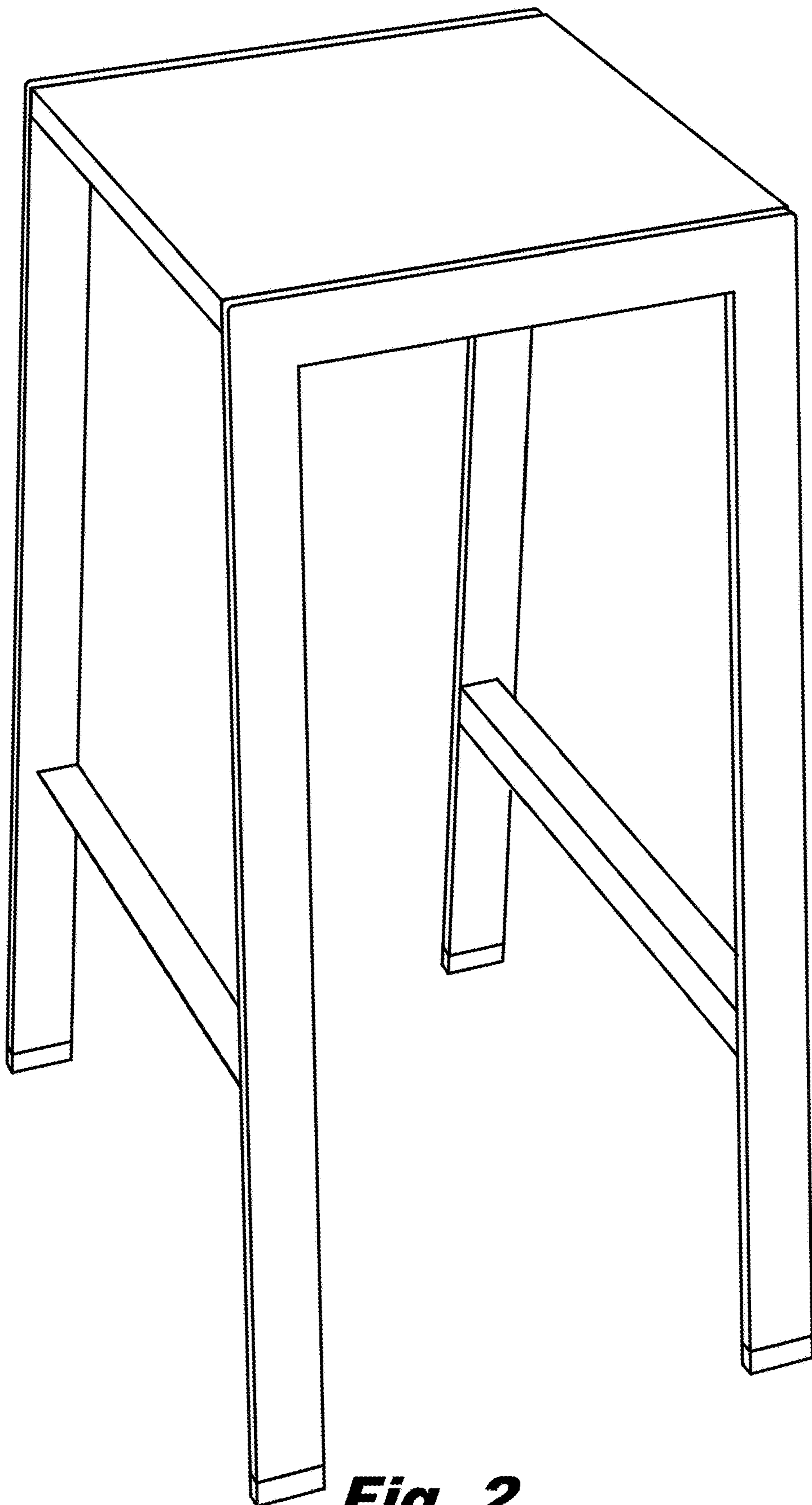


Fig. 2

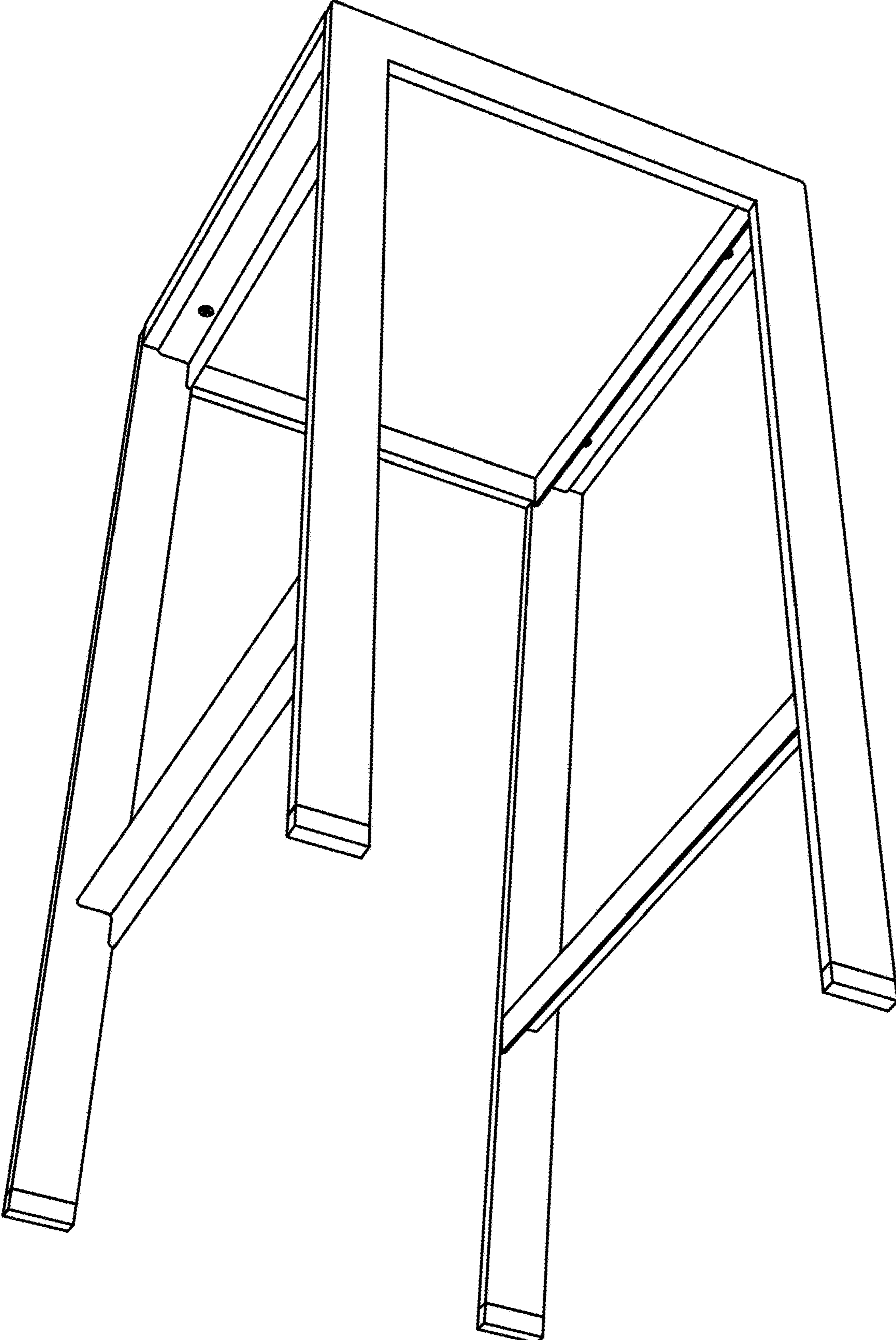


Fig. 3

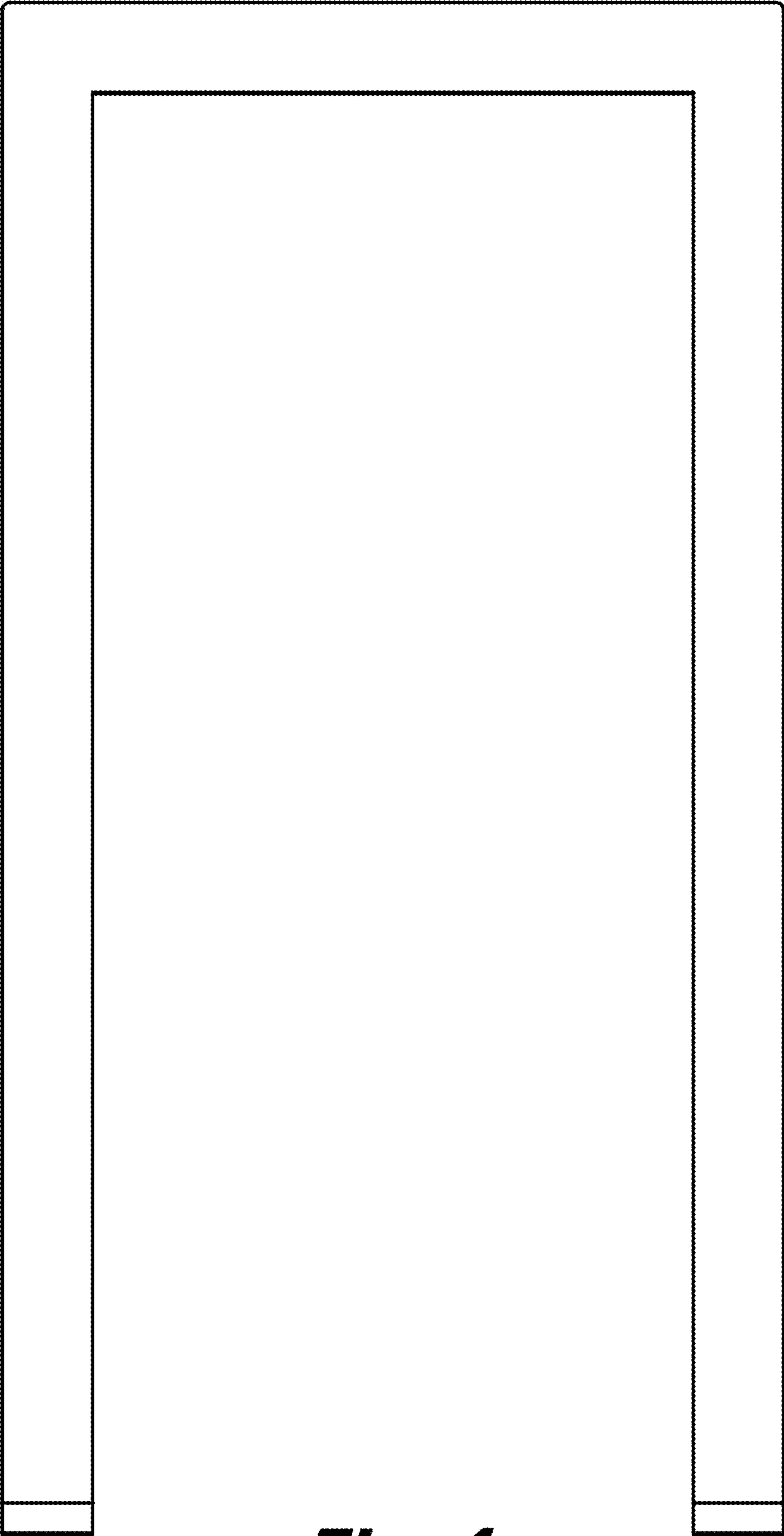


Fig. 4

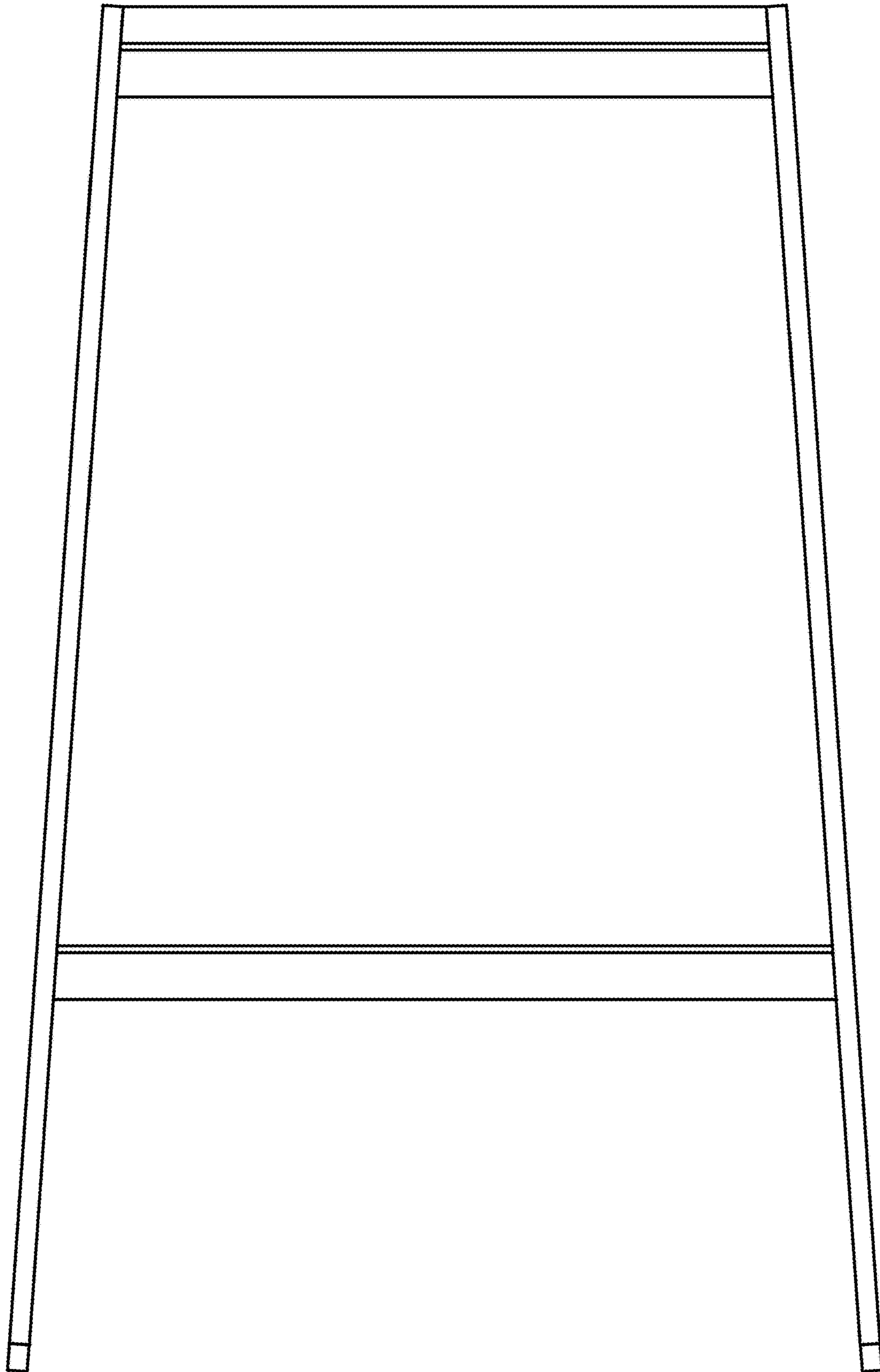


Fig. 5

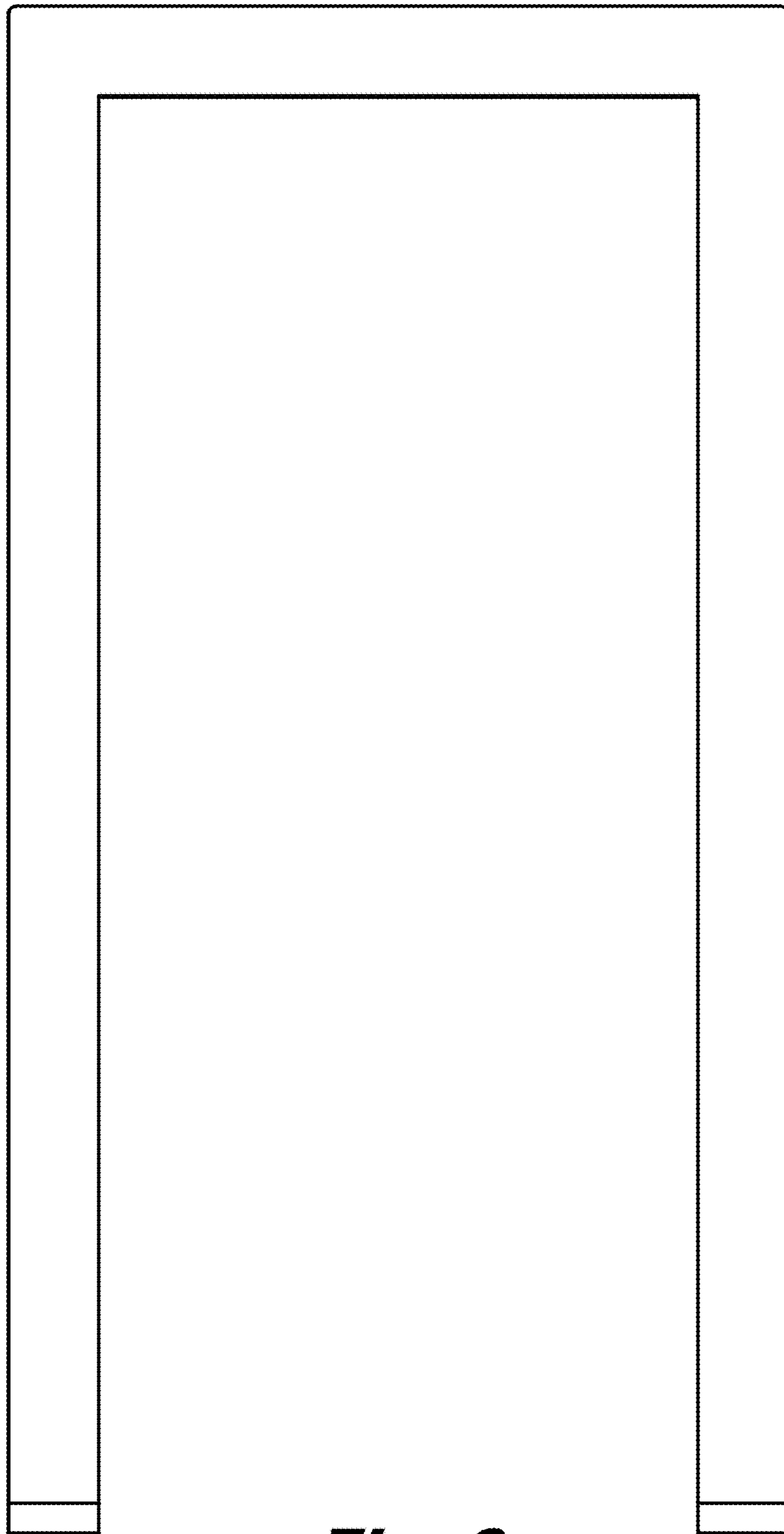


Fig. 6

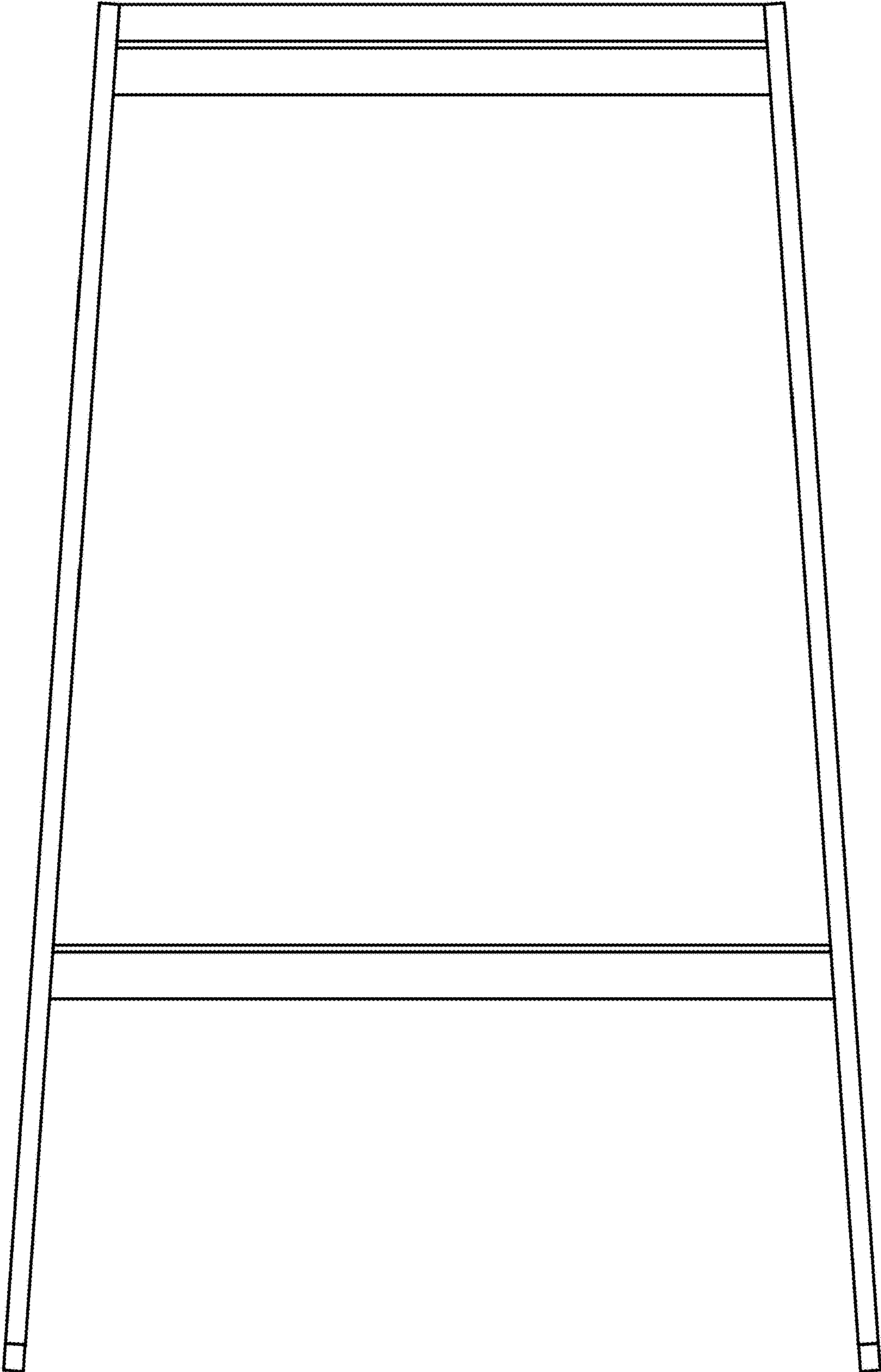


Fig. 7

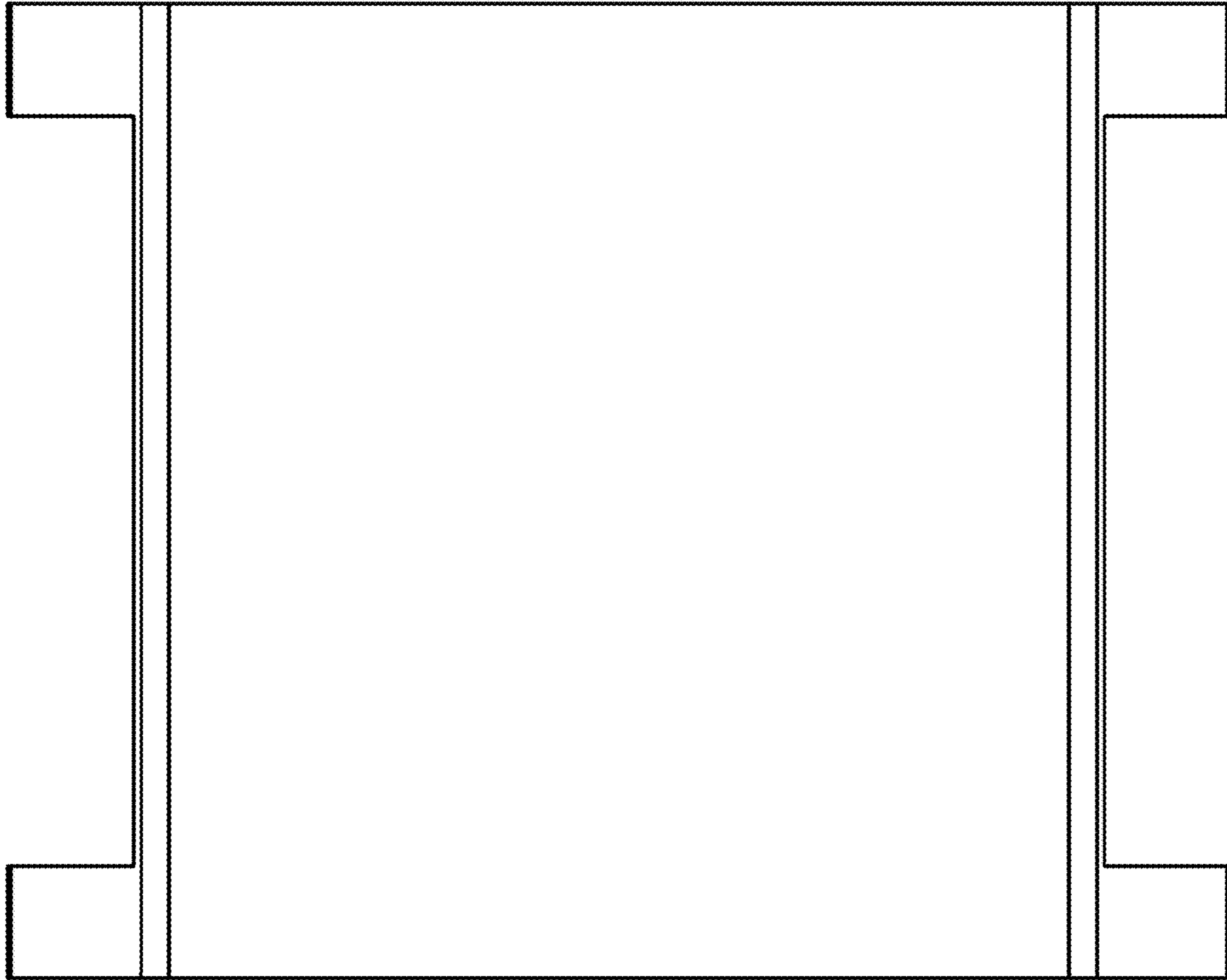


Fig. 8

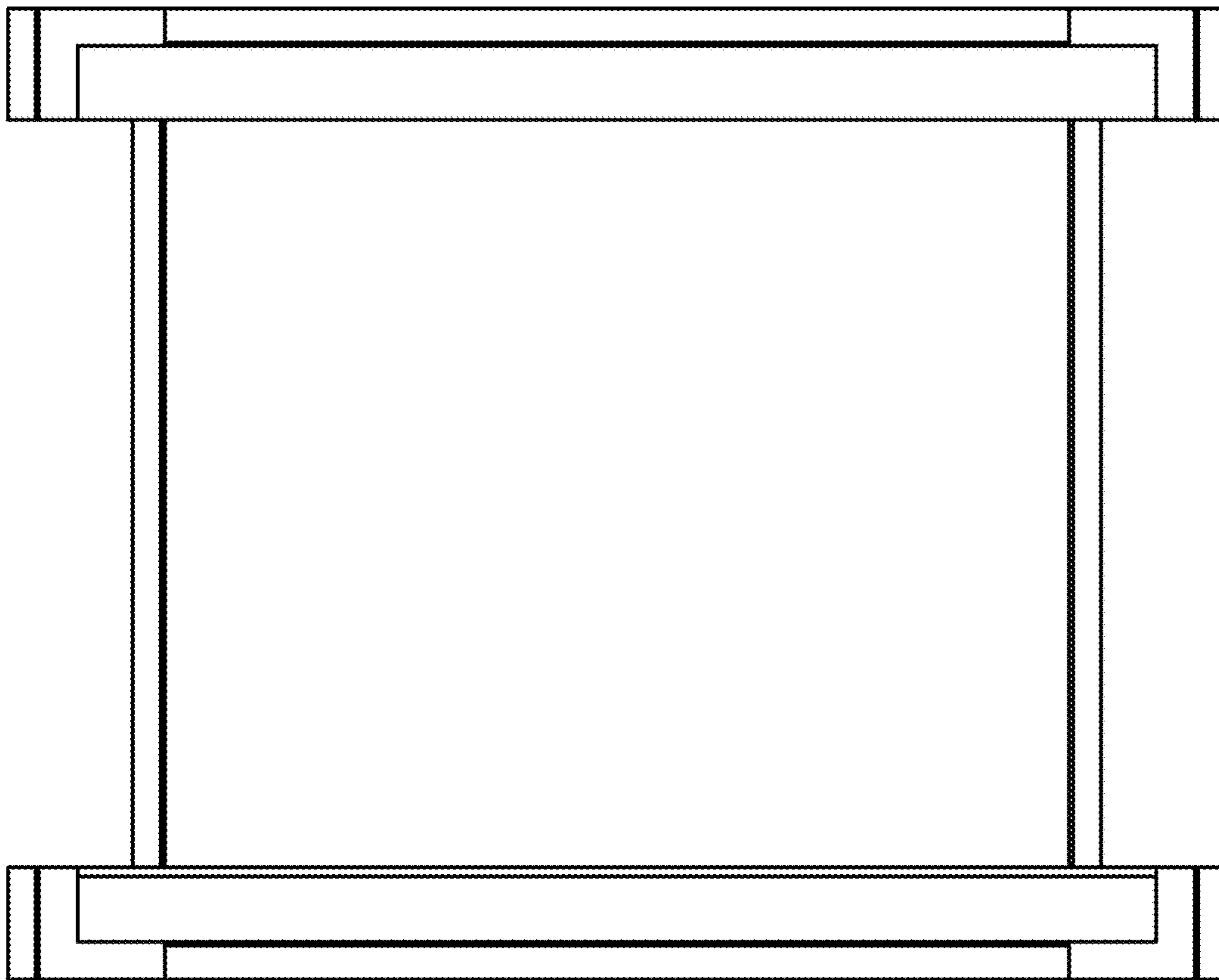


Fig. 9

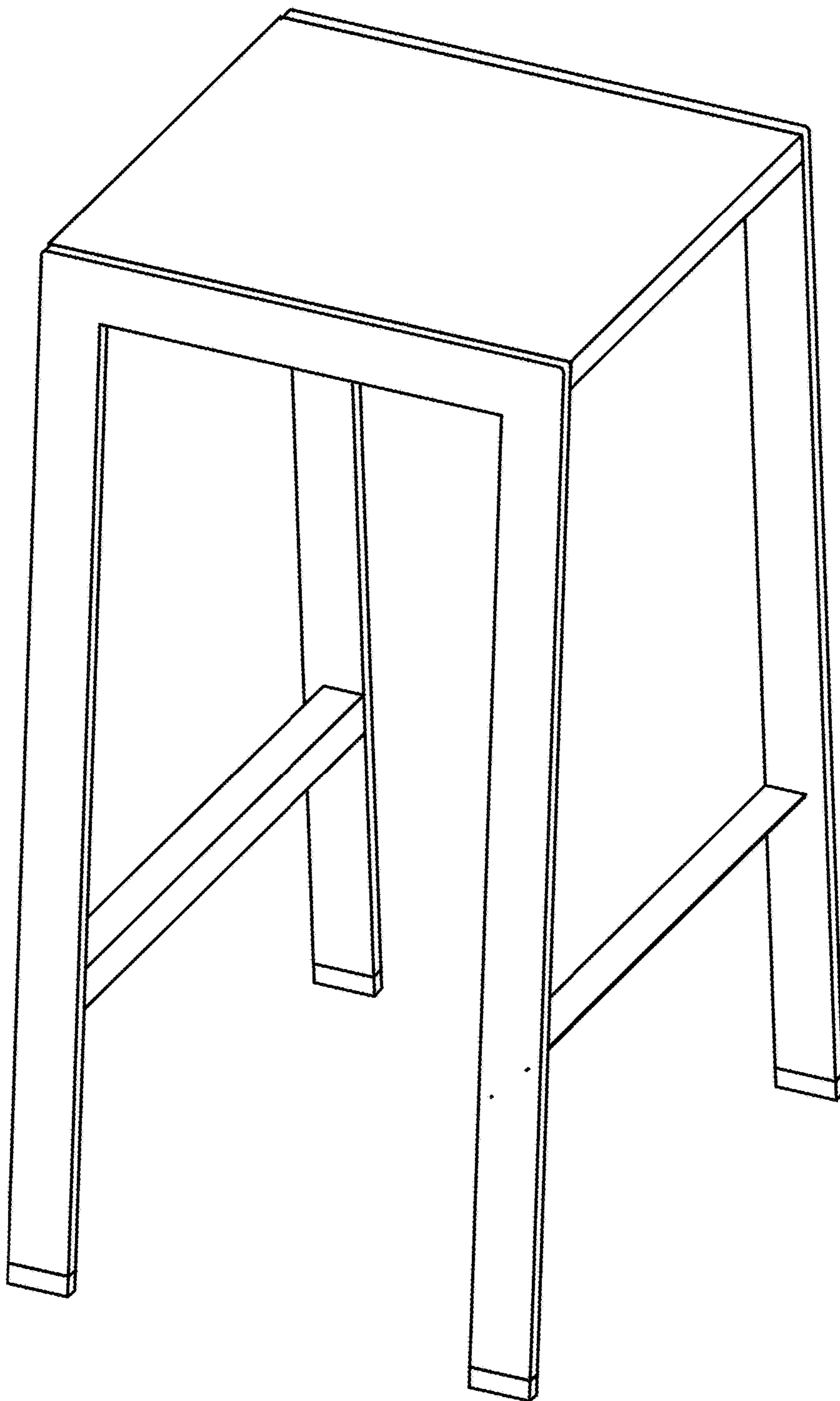


Fig. 10

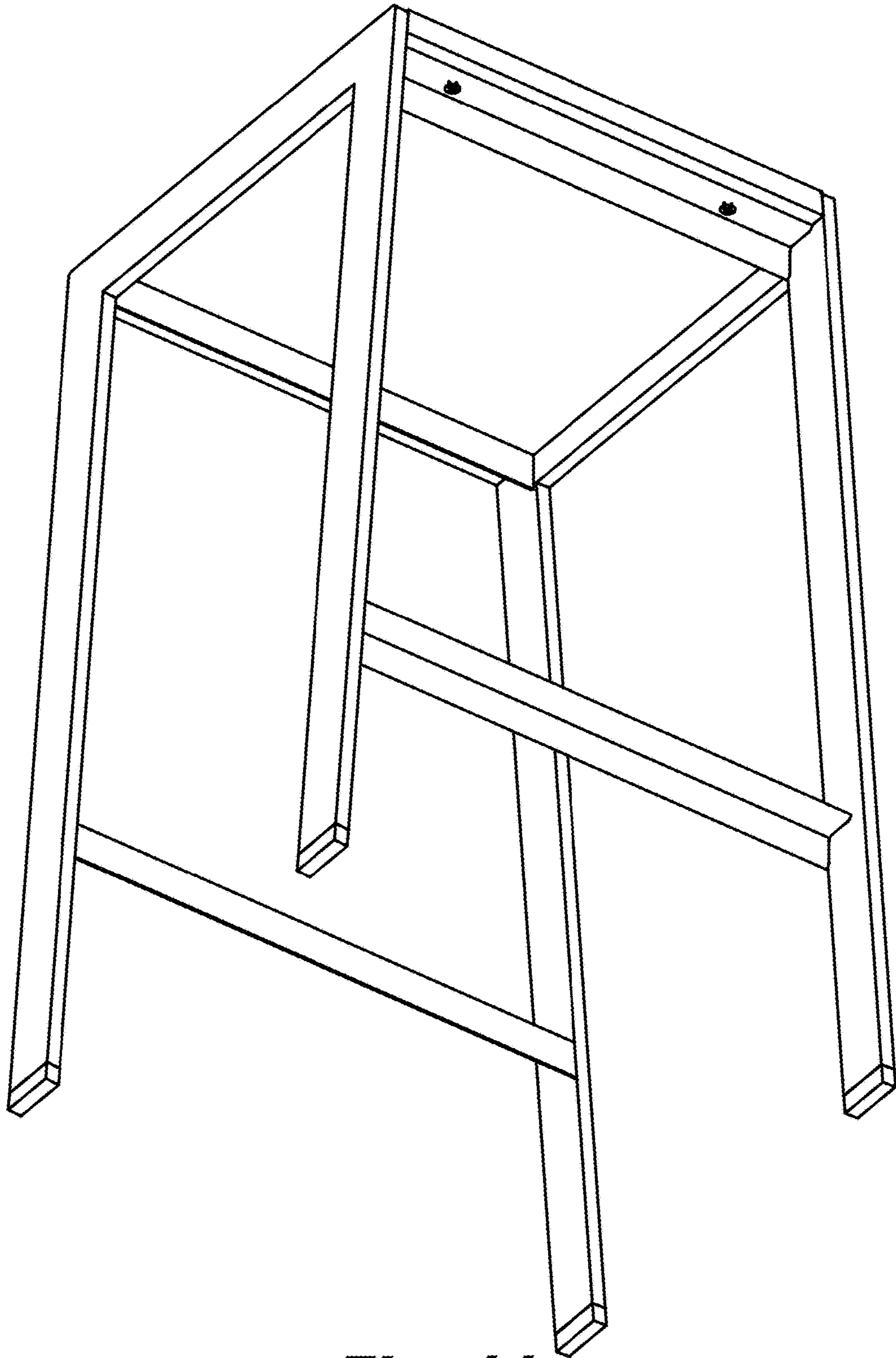


Fig. 11