



US00D863795S

(12) **United States Design Patent**
Foersom et al.

(10) **Patent No.:** **US D863,795 S**
(45) **Date of Patent:** **** Oct. 22, 2019**

(54) **PARC ROCKING CHAIR**
(71) Applicant: **CANE-LINE A/S**, Rynkeby (DK)
(72) Inventors: **Johannes Foersom**, Copenhagen (DK);
Peter Hiort-Lorenzen, Copenhagen (DK)
(73) Assignee: **CANE-LINE A/S**, Rynkeby (DK)

1,230,642 A * 6/1917 Albano A47C 3/029
297/271.5
D121,461 S * 7/1940 Tabb D6/370
3,909,064 A * 9/1975 Payne, Jr. A47C 4/03
297/271.6
D258,179 S * 2/1981 Baker D6/348
D360,315 S * 7/1995 Morin D6/348
D823,011 S * 7/2018 Kesler D6/348

* cited by examiner

(**) Term: **15 Years**

Primary Examiner — Mimosa De

(21) Appl. No.: **29/623,166**

(74) *Attorney, Agent, or Firm* — Birch, Stewart, Kolasch & Birch, LLP

(22) Filed: **Oct. 23, 2017**

(30) **Foreign Application Priority Data**

May 5, 2017 (EP) 003935527-0008

(51) **LOC (12) Cl.** **06-01**

(52) **U.S. Cl.**
USPC **D6/348**

(58) **Field of Classification Search**
USPC D6/334–336, 344, 348, 370, 371–373,
D6/374, 375, 379, 380, 716, 716.1, 716.2,
D6/716.3, 716.4
CPC A47C 3/02; A47C 3/023; A47C 3/029;
A47C 4/02; A47C 4/03; A47C 4/08;
A47C 5/04; A47C 7/16

See application file for complete search history.

(56) **References Cited**

U.S. PATENT DOCUMENTS

192,850 A * 7/1877 Tostevin A47C 3/029
297/271.4
225,431 A * 3/1880 Smith A47C 3/029
297/452.63

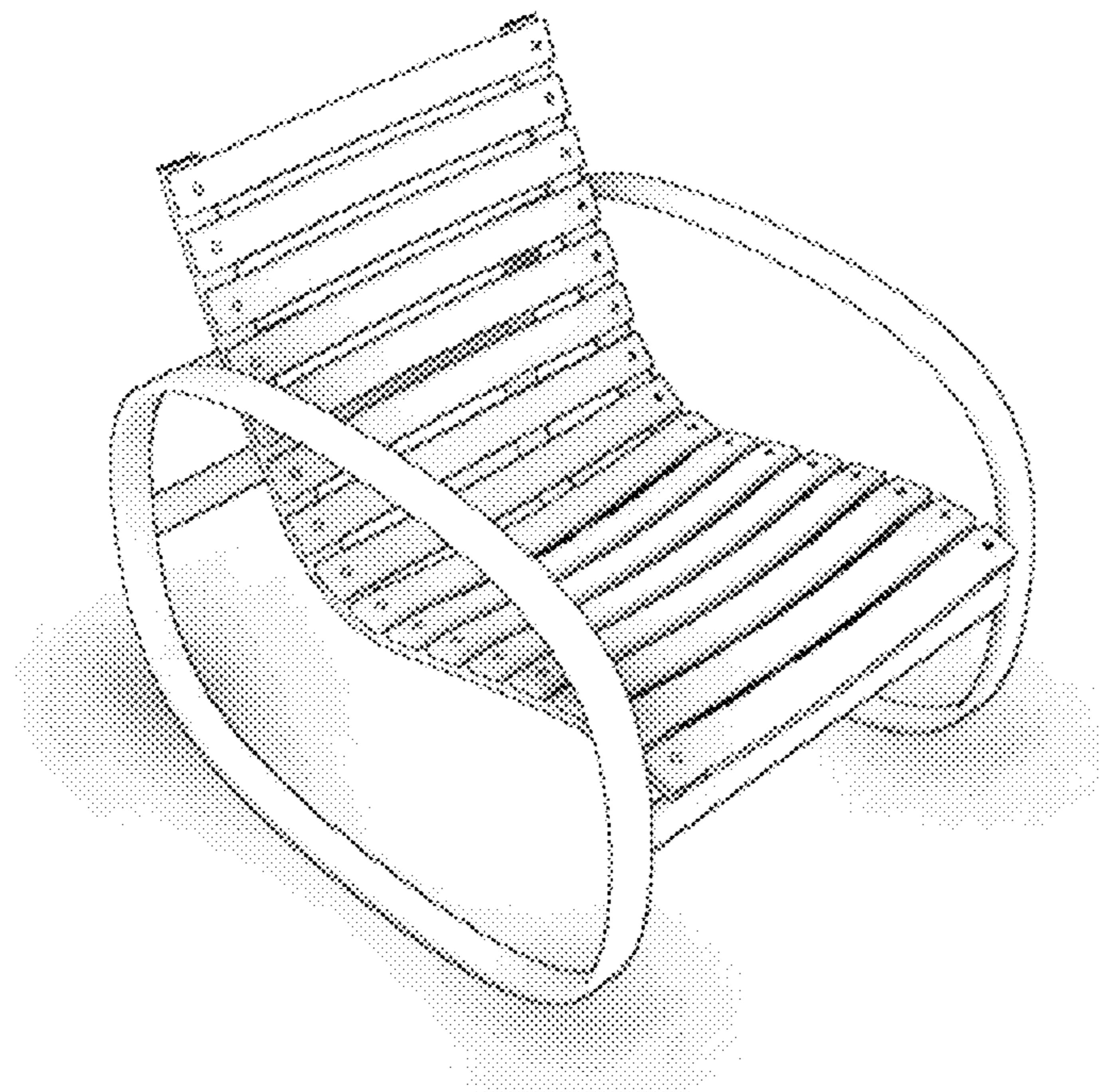
(57) **CLAIM**

The ornamental design for a parc rocking chair, as shown and described.

DESCRIPTION

FIG. 1 is a front and right side perspective view of a parc rocking chair showing our new design;
FIG. 2 is a front and left side perspective view thereof;
FIG. 3 is a front elevational view thereof;
FIG. 4 is a rear elevational view thereof;
FIG. 5 is a front perspective view thereof;
FIG. 6 is a rear perspective view thereof;
FIG. 7 is a rear and right side elevational view thereof;
FIG. 8 is a rear and left side perspective view thereof; and,
FIG. 9 is a top plan view thereof.

1 Claim, 5 Drawing Sheets



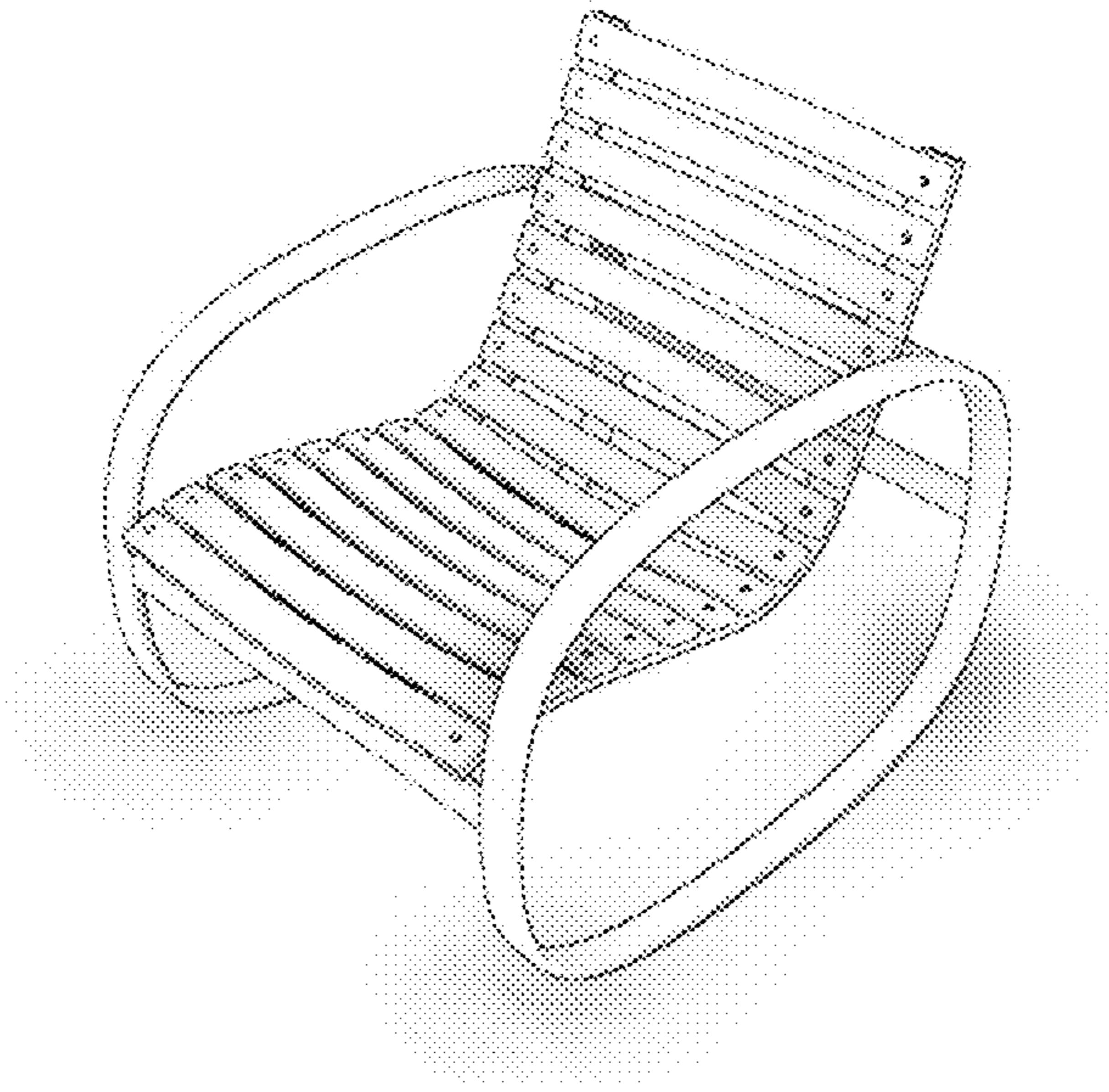


FIG. 1

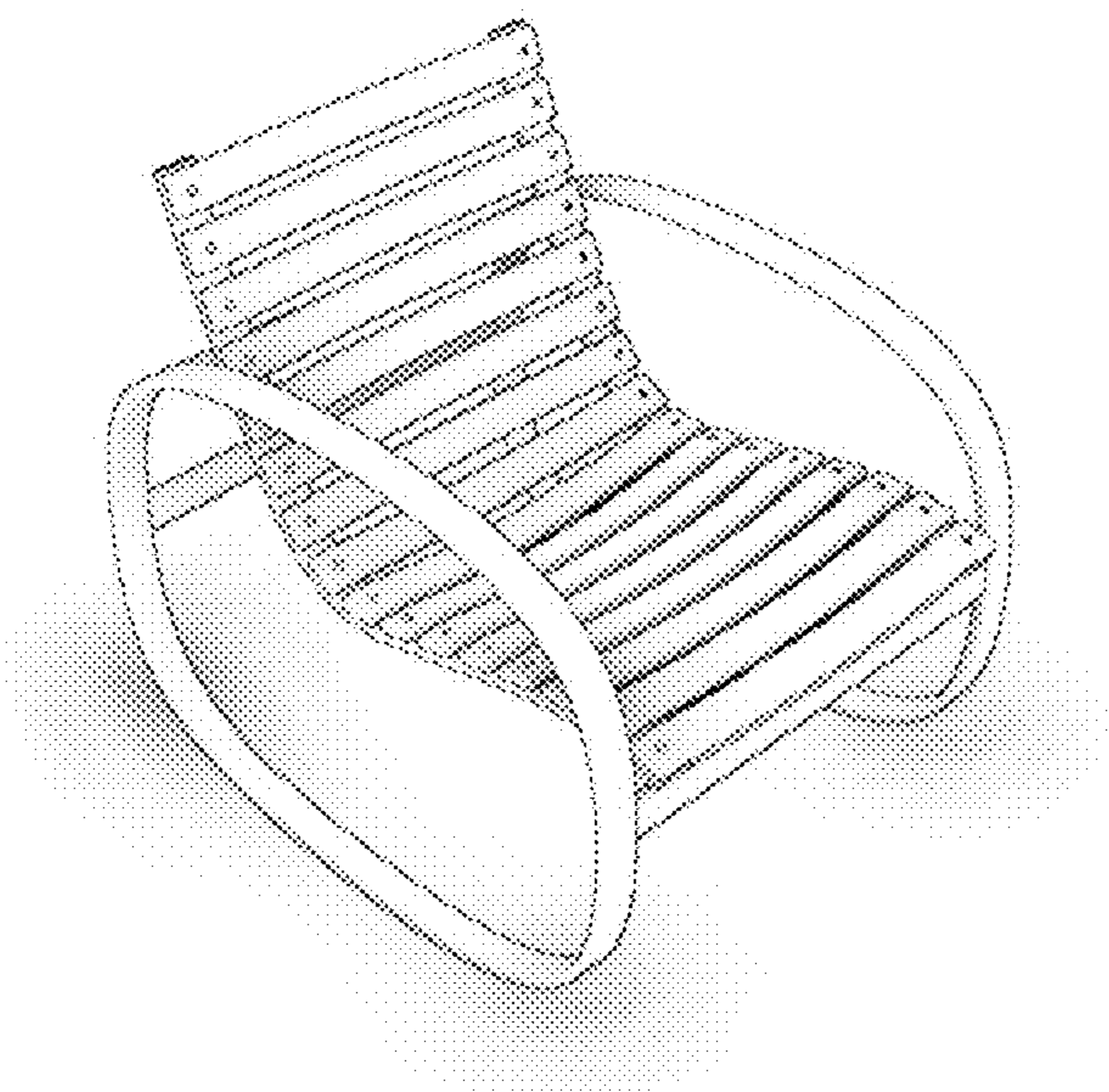


FIG. 2

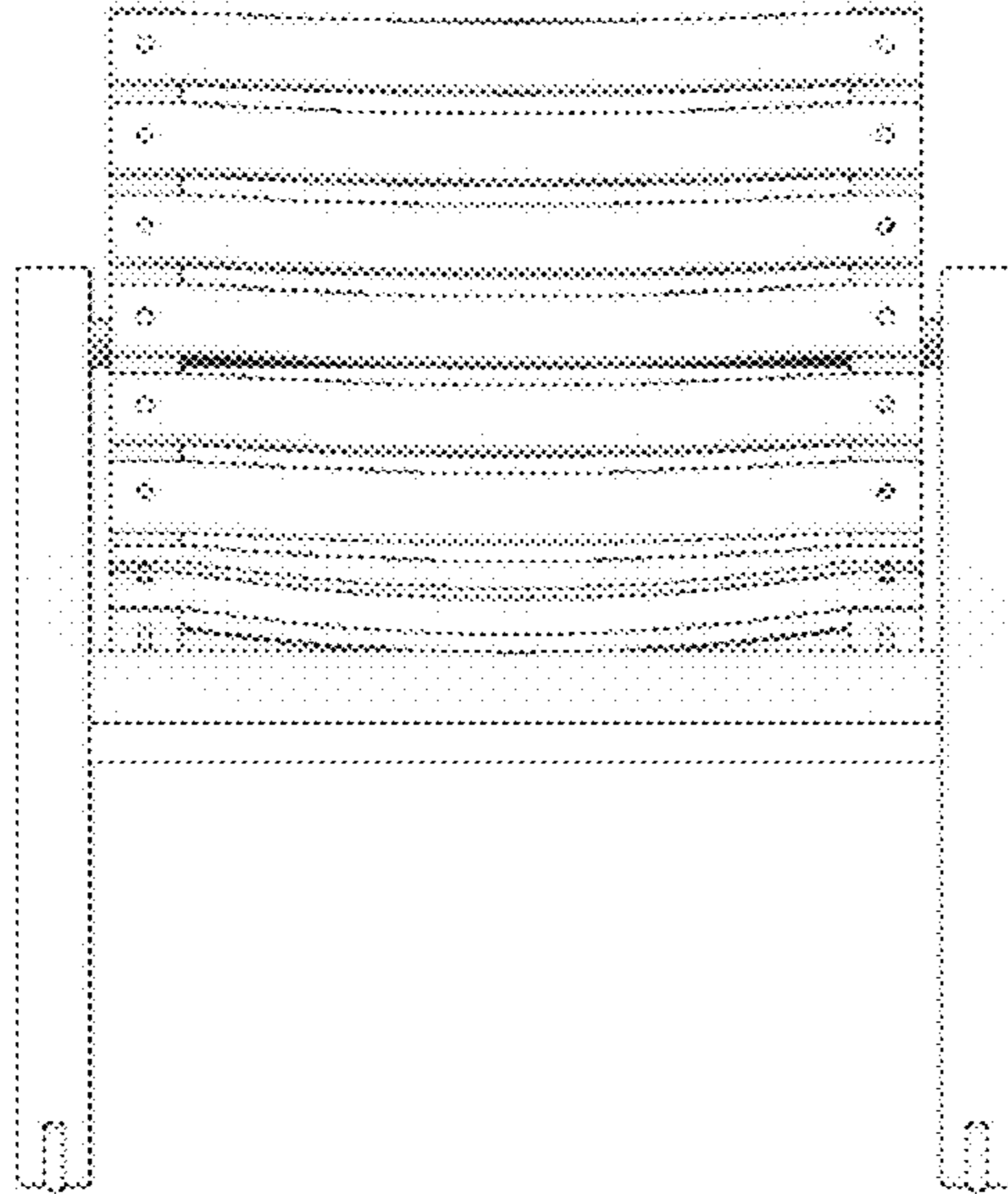


FIG. 3

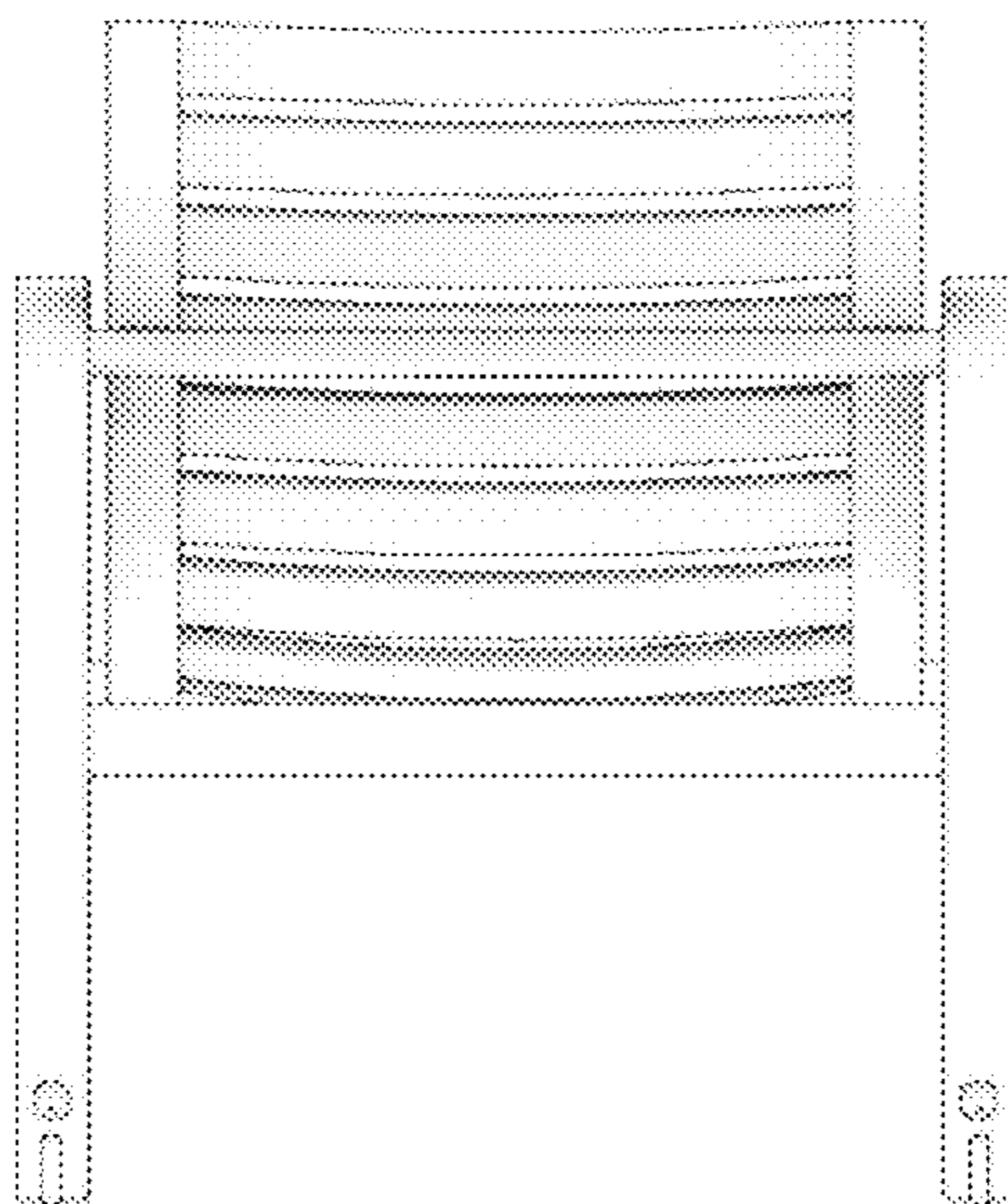


FIG. 4

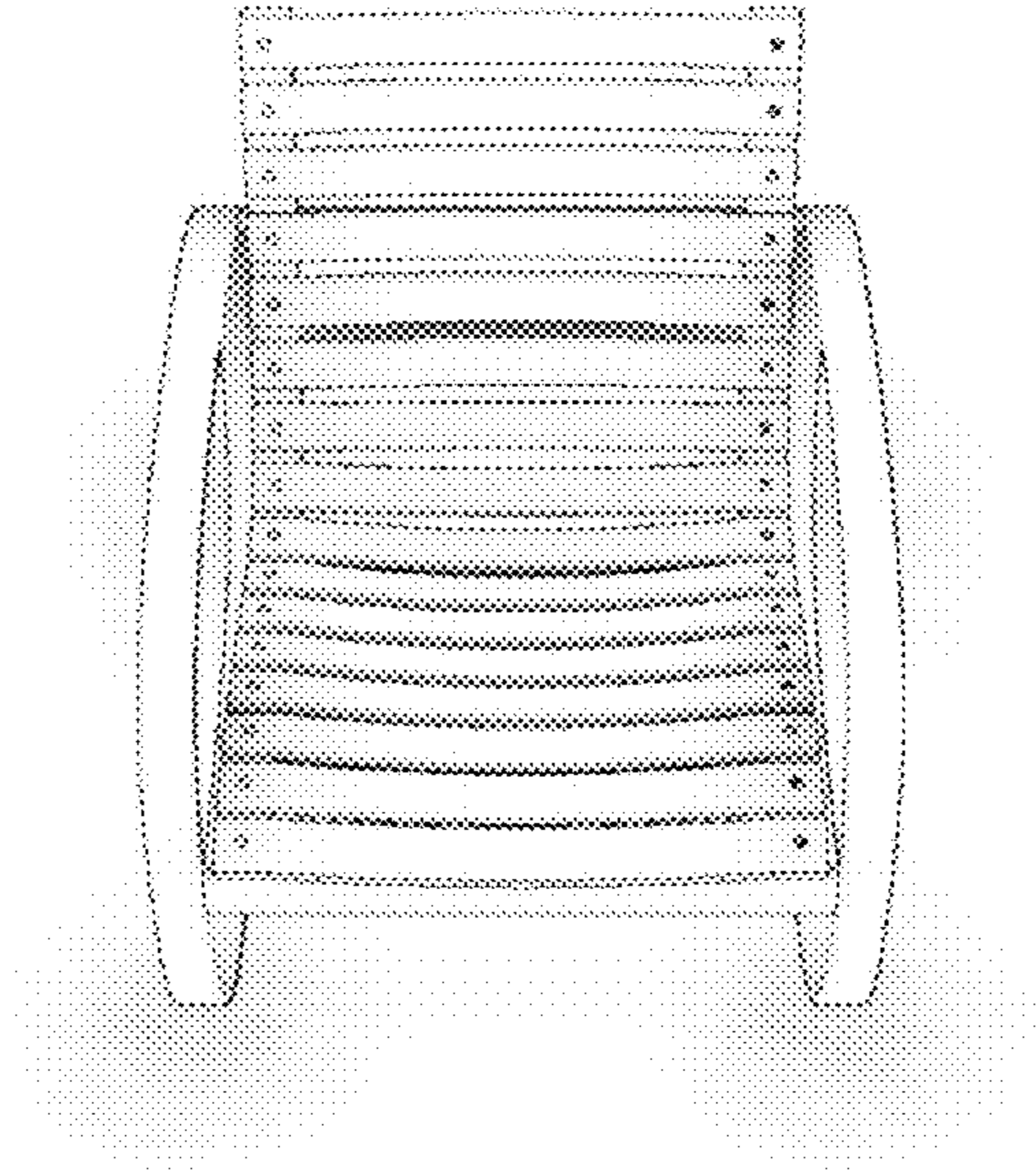


FIG. 5

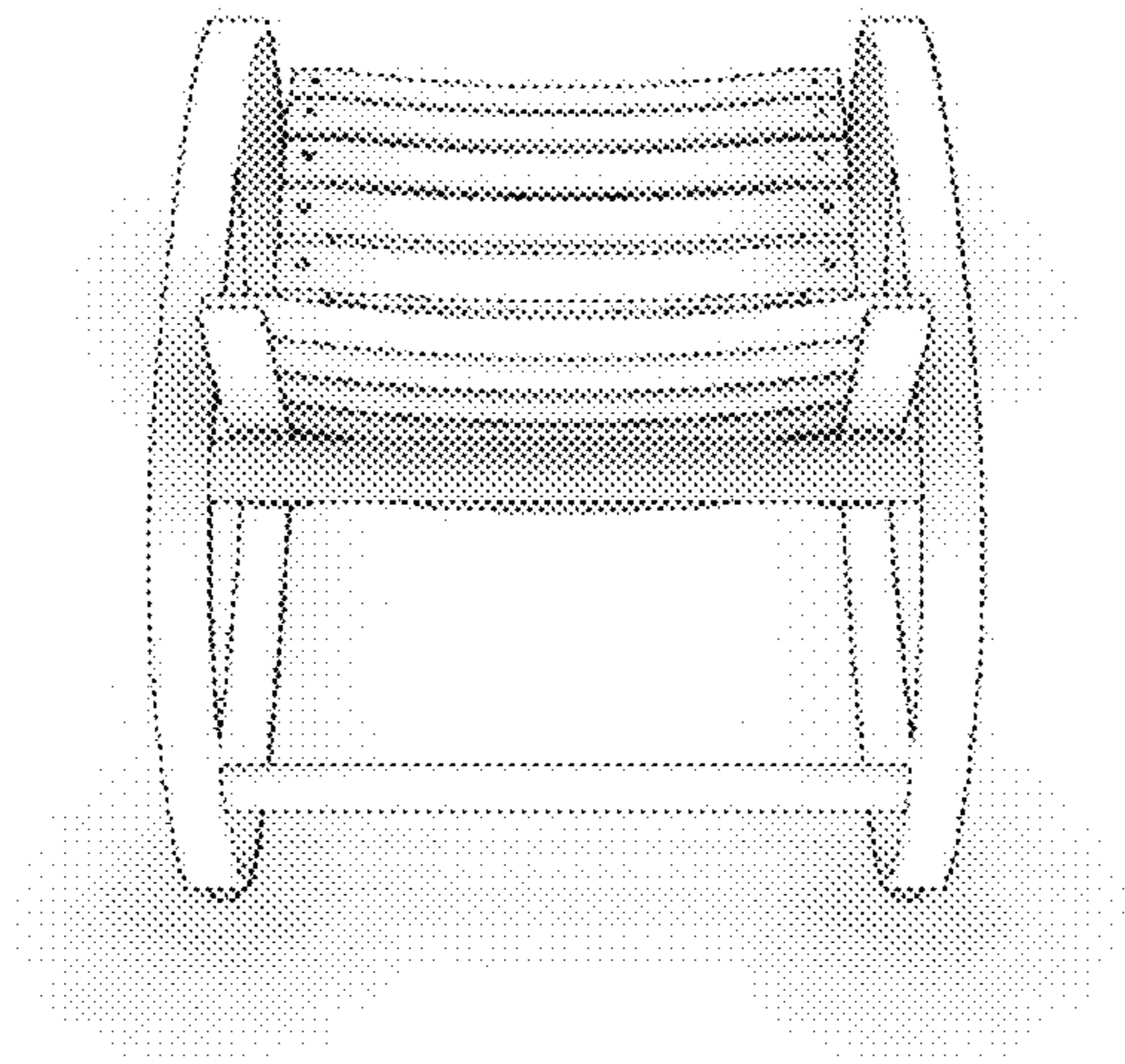


FIG. 6

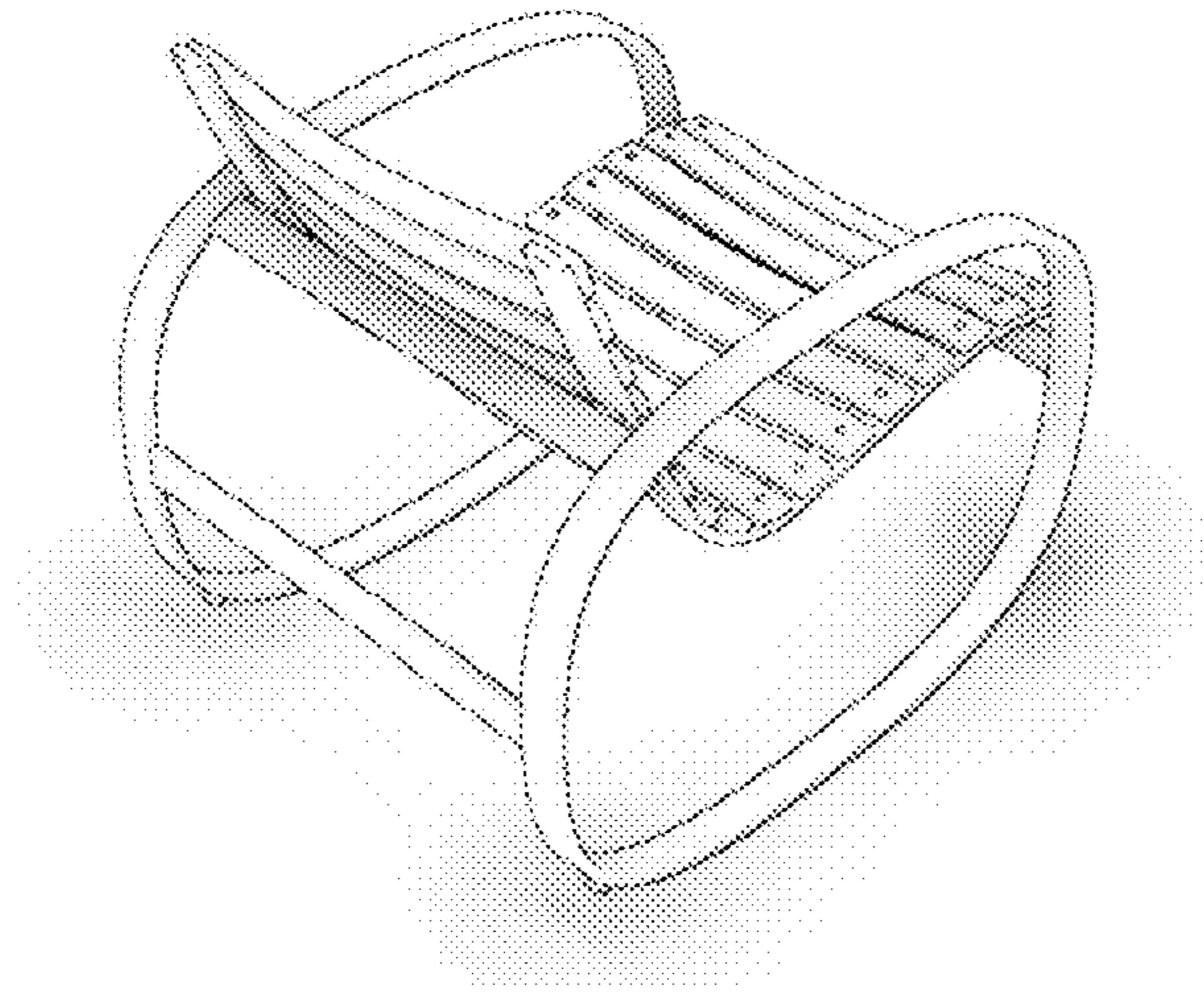


FIG. 7

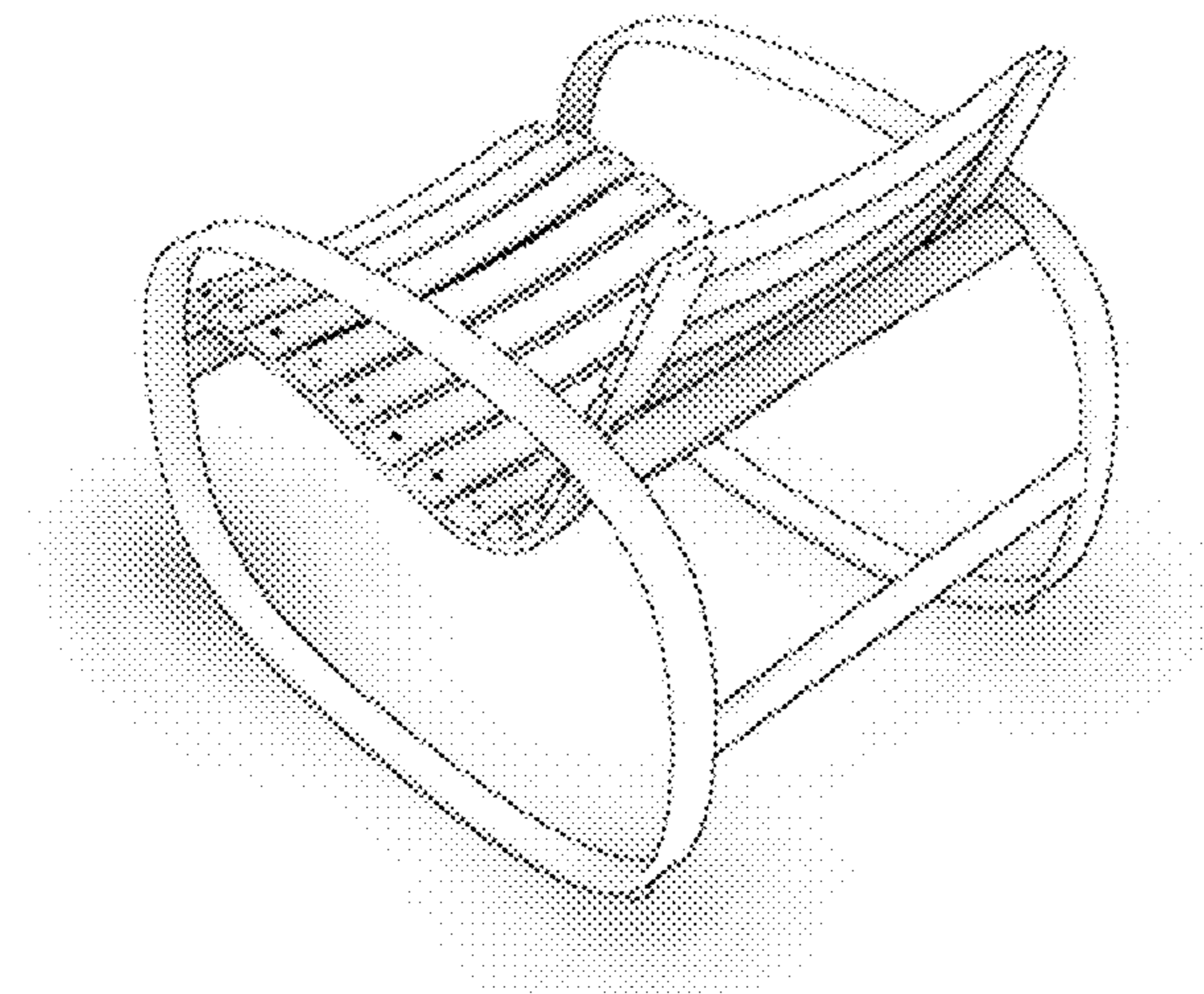


FIG. 8

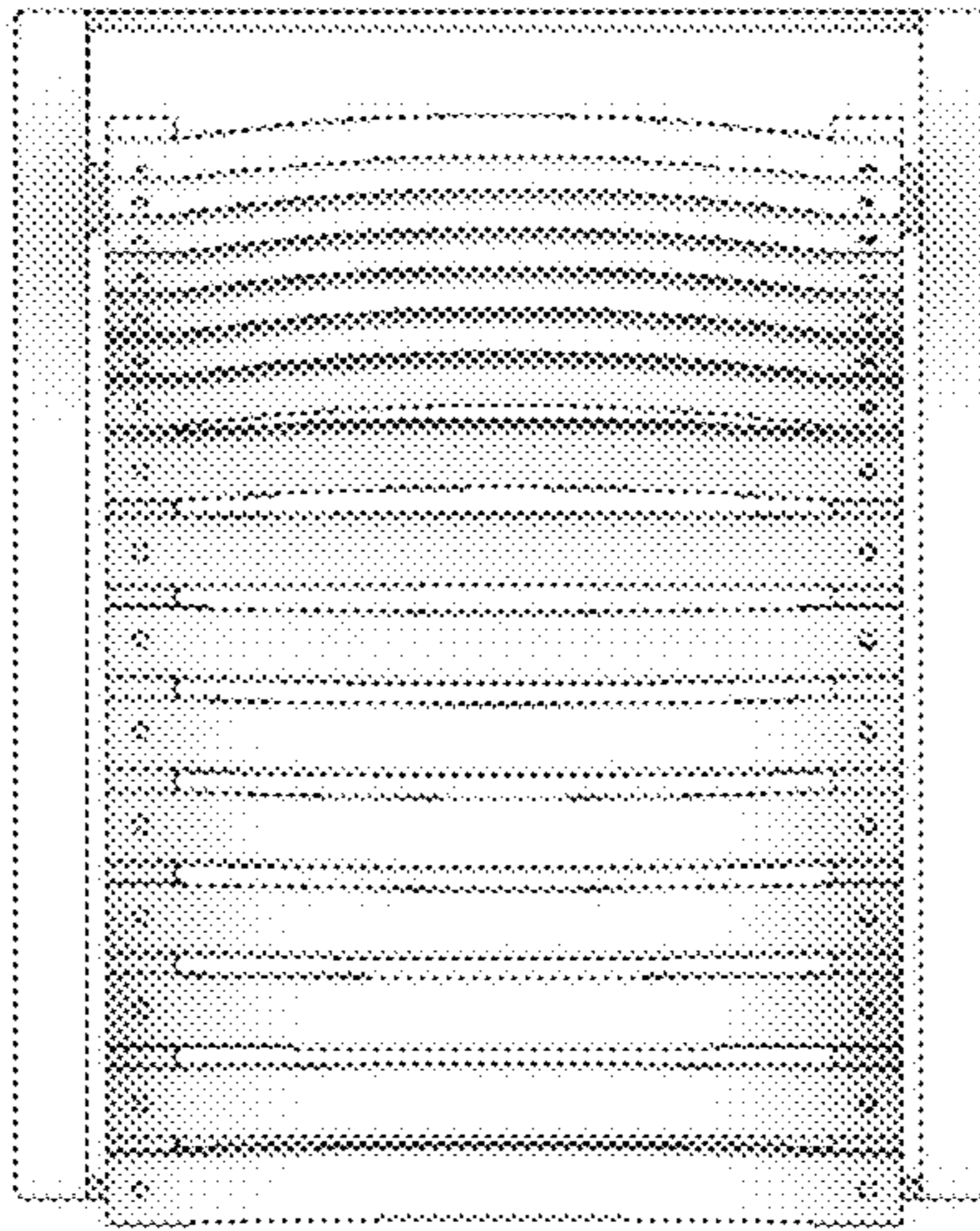


FIG. 9