



US00D863794S

(12) **United States Design Patent**
Holleis et al.

(10) **Patent No.:** **US D863,794 S**
(45) **Date of Patent:** **** Oct. 22, 2019**

(54) **BABY BOUNCER SEAT**
(71) Applicant: **CYBEX GMBH**, Bayreuth (DE)
(72) Inventors: **Ralf Holleis**, Bayreuth (DE); **Ludwig Kaimer**, Bayreuth (DE)
(73) Assignee: **Cybex GmbH**, Bayreuth (DE)
(**) Term: **15 Years**
(21) Appl. No.: **35/505,638**
(22) Filed: **Mar. 8, 2018**
(80) **Hague Agreement Data**
Int. Filing Date: **Mar. 8, 2018**
Int. Reg. No.: **DM/100594**
Int. Reg. Date: **Mar. 8, 2018**
Int. Reg. Pub. Date: **Sep. 14, 2018**

D450,935 S * 11/2001 Dranschak D6/333
D478,220 S * 8/2003 Chang D6/333
D537,640 S * 3/2007 Spence D6/333
D560,374 S * 1/2008 Bergkvist D6/333
D604,054 S * 11/2009 Biaud D6/333
D620,719 S * 8/2010 Li D6/333
D648,144 S * 11/2011 Oren D6/344
D661,500 S * 6/2012 Hutchinson D6/333
D691,381 S * 10/2013 Kittilsen D6/344
D720,938 S * 1/2015 Gerspach D6/348
D727,037 S * 4/2015 Naslain D6/333
D737,584 S * 9/2015 Marcuello D6/333
D744,248 S * 12/2015 Pos D6/333
D746,070 S * 12/2015 Pos D6/333
D746,071 S * 12/2015 Haley D6/333
D746,072 S * 12/2015 Haley D6/333
D751,305 S * 3/2016 Robbins D6/333
D764,817 S * 8/2016 Pos D6/333
D772,587 S * 11/2016 Micol D6/333
D780,467 S * 3/2017 Naslain D6/333
D785,349 S * 5/2017 Pos D6/333
D792,116 S * 7/2017 Collot D6/333
D794,968 S * 8/2017 Pos D6/333
D796,853 S * 9/2017 Bassan D6/333
D796,855 S * 9/2017 Imrich D6/333

(Continued)

(30) **Foreign Application Priority Data**
Sep. 8, 2017 (WO) DM/098848
(51) **LOC (12) Cl.** **06-01**
(52) **U.S. Cl.**
USPC **D6/333; D6/334**
CPC **A47D 13/10 (2013.01)**
(58) **Field of Classification Search**
USPC **D6/333-335, 339, 344, 348, 375**
CPC **A47D 13/10; A47D 13/107; A47D 13/02;**
A47D 1/02
See application file for complete search history.

Primary Examiner — Richard E Chilcot
(74) *Attorney, Agent, or Firm* — Boyle Fredrickson, S.C.

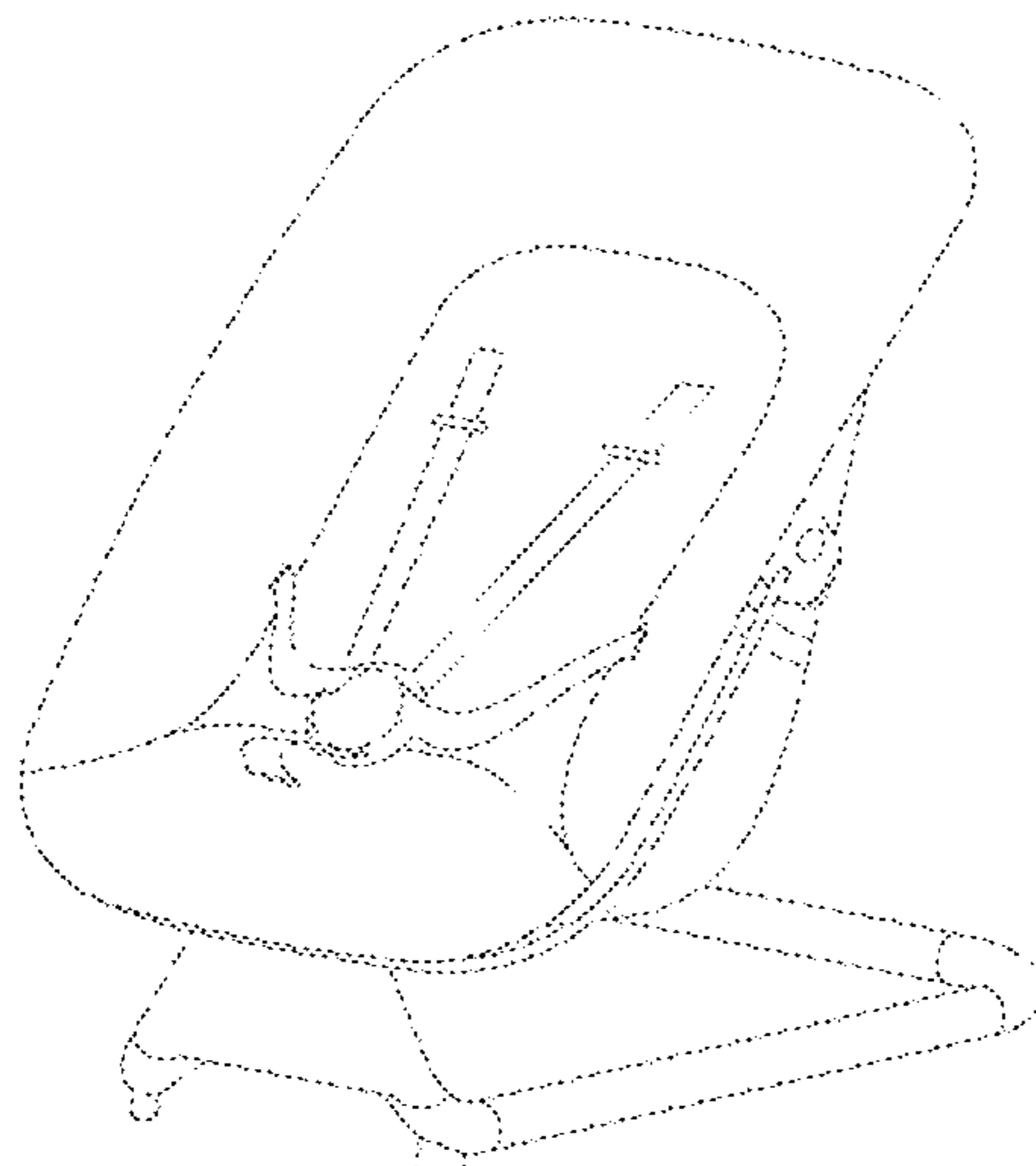
(56) **References Cited**
U.S. PATENT DOCUMENTS
D286,470 S * 11/1986 Takada D6/333
D321,599 S * 11/1991 Takahashi D6/333
D337,894 S * 8/1993 Mariol D6/333
D405,277 S * 2/1999 Onishi D6/333
D440,412 S * 4/2001 Huang D6/333
D447,879 S * 9/2001 Hsia D6/333

(57) **CLAIM**
The ornamental design for a baby bouncer seat, as shown and described.

DESCRIPTION

1. Baby bouncer seat
FIG. 1.1 is a front perspective view showing our new design for a baby bouncer,
FIG. 1.2 is a front view thereof;
FIG. 1.3 is a rear view thereof,
FIG. 1.4 is a right side view thereof,
FIG. 1.5 is a left side view thereof,
FIG. 1.6 is a top view thereof; and,
FIG. 1.7 is a bottom view thereof.

1 Claim, 7 Drawing Sheets



(56)

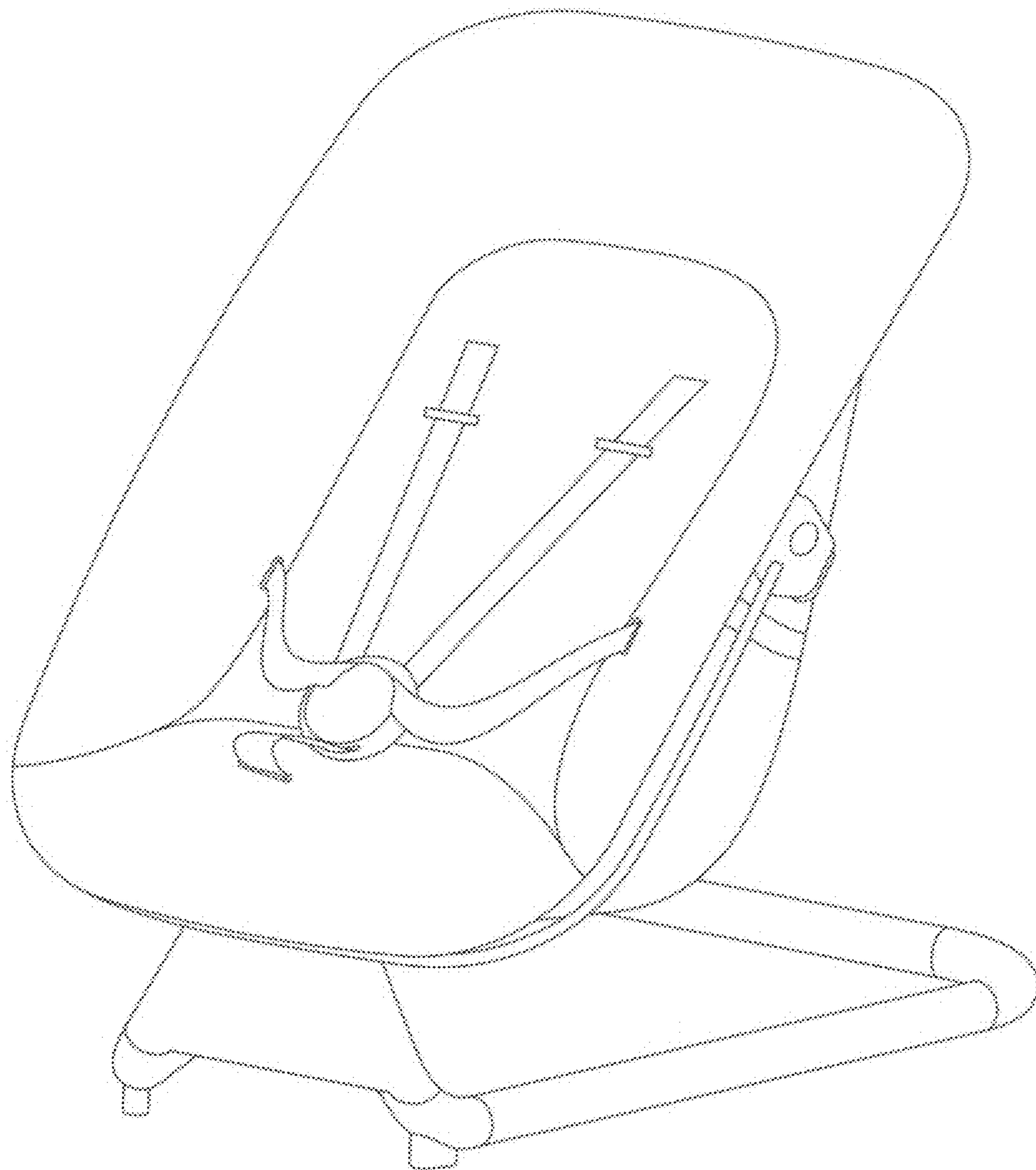
References Cited

U.S. PATENT DOCUMENTS

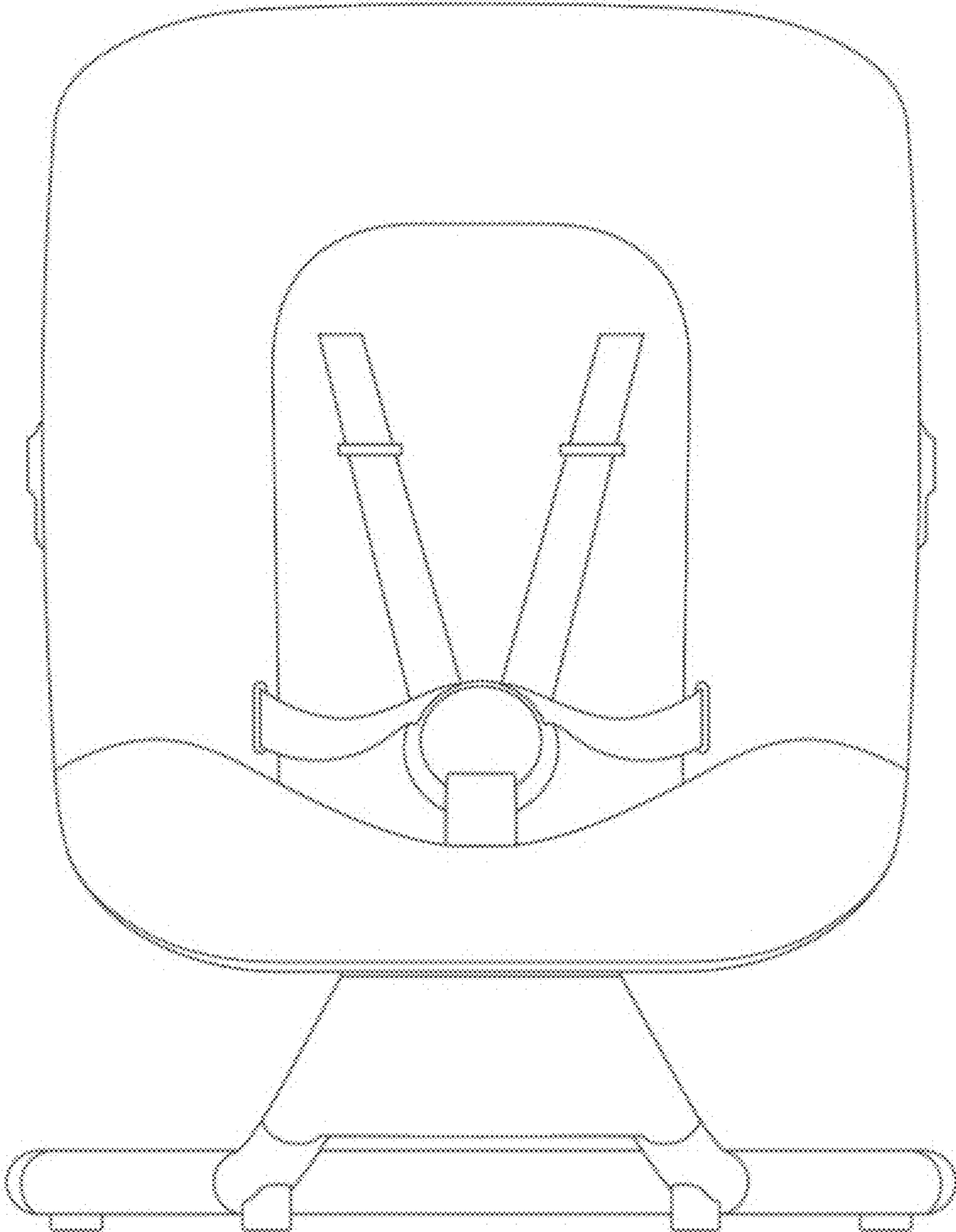
D797,465 S *	9/2017	Pos	D6/333
D797,481 S *	9/2017	Pos	D6/708.19
D804,832 S *	12/2017	Pos	D6/333
D816,356 S *	5/2018	Lin	D6/333
D819,347 S *	6/2018	Young	D6/333
D825,207 S *	8/2018	Imrich	D6/333
D832,602 S *	11/2018	Elmberg	D6/333
D837,537 S *	1/2019	Huntley	D6/333
D837,538 S *	1/2019	Imrich	D6/333
D845,654 S *	4/2019	Imrich	D6/333
D847,520 S *	5/2019	Imrich	D6/333

* cited by examiner

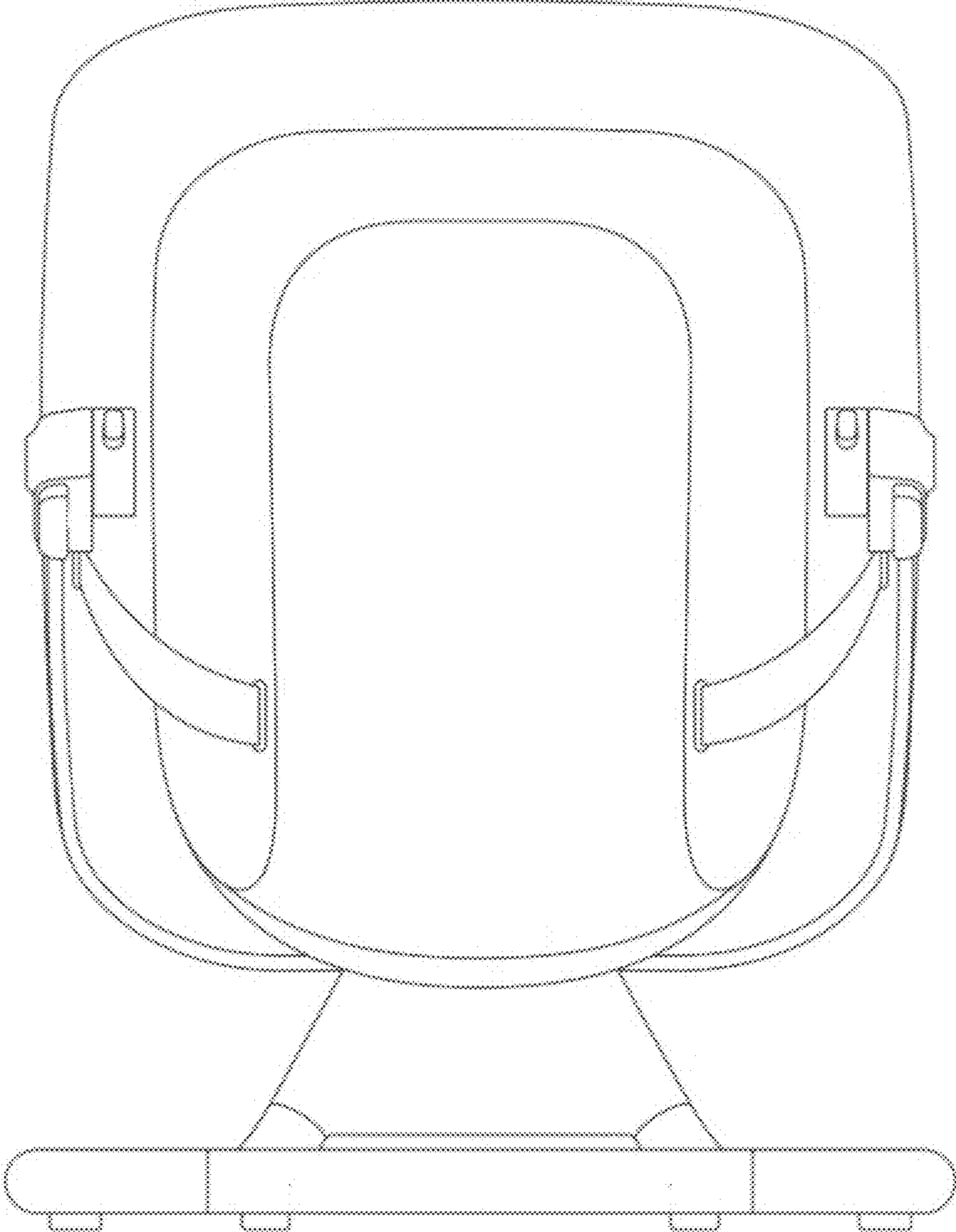
1.1



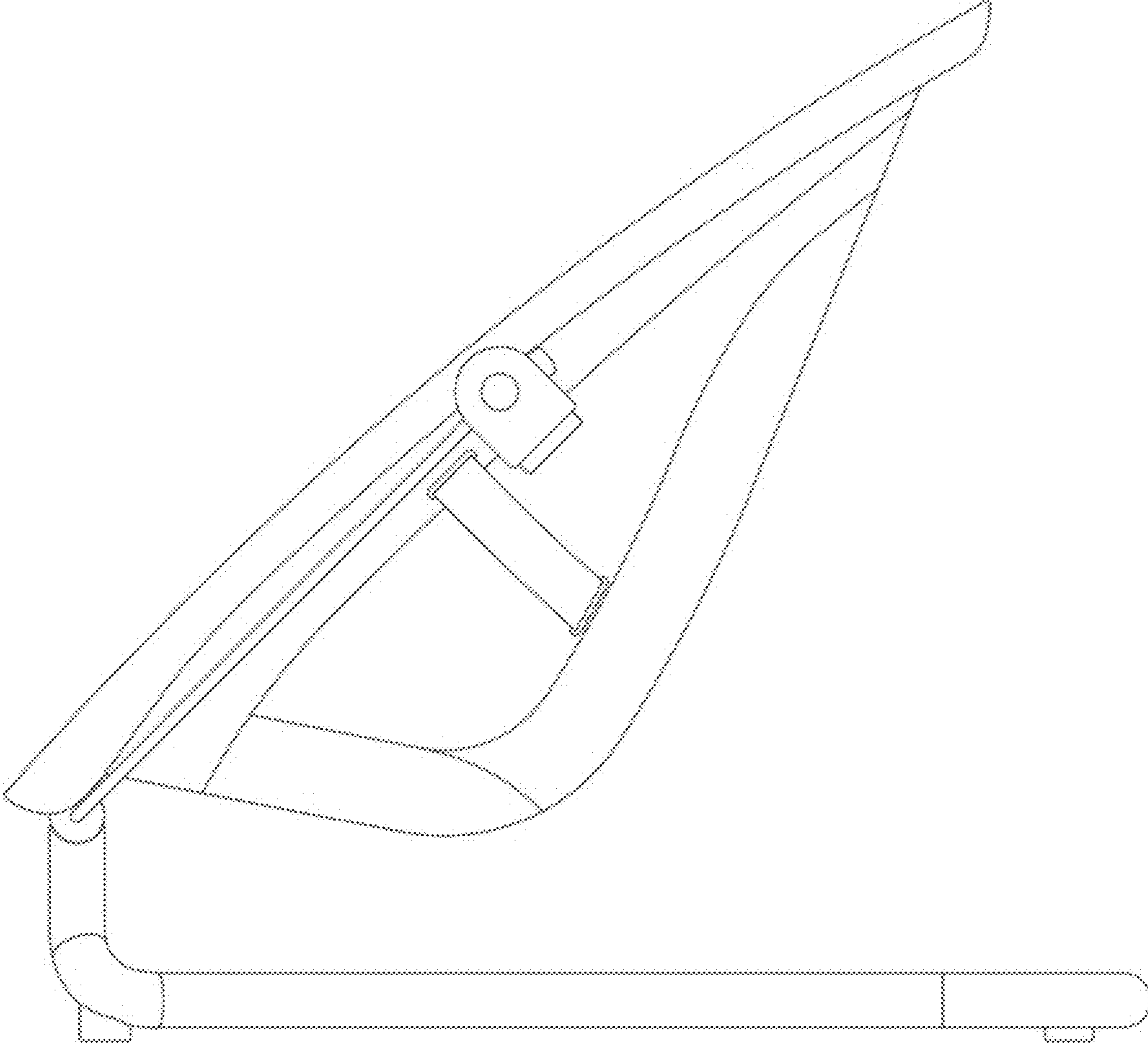
1.2



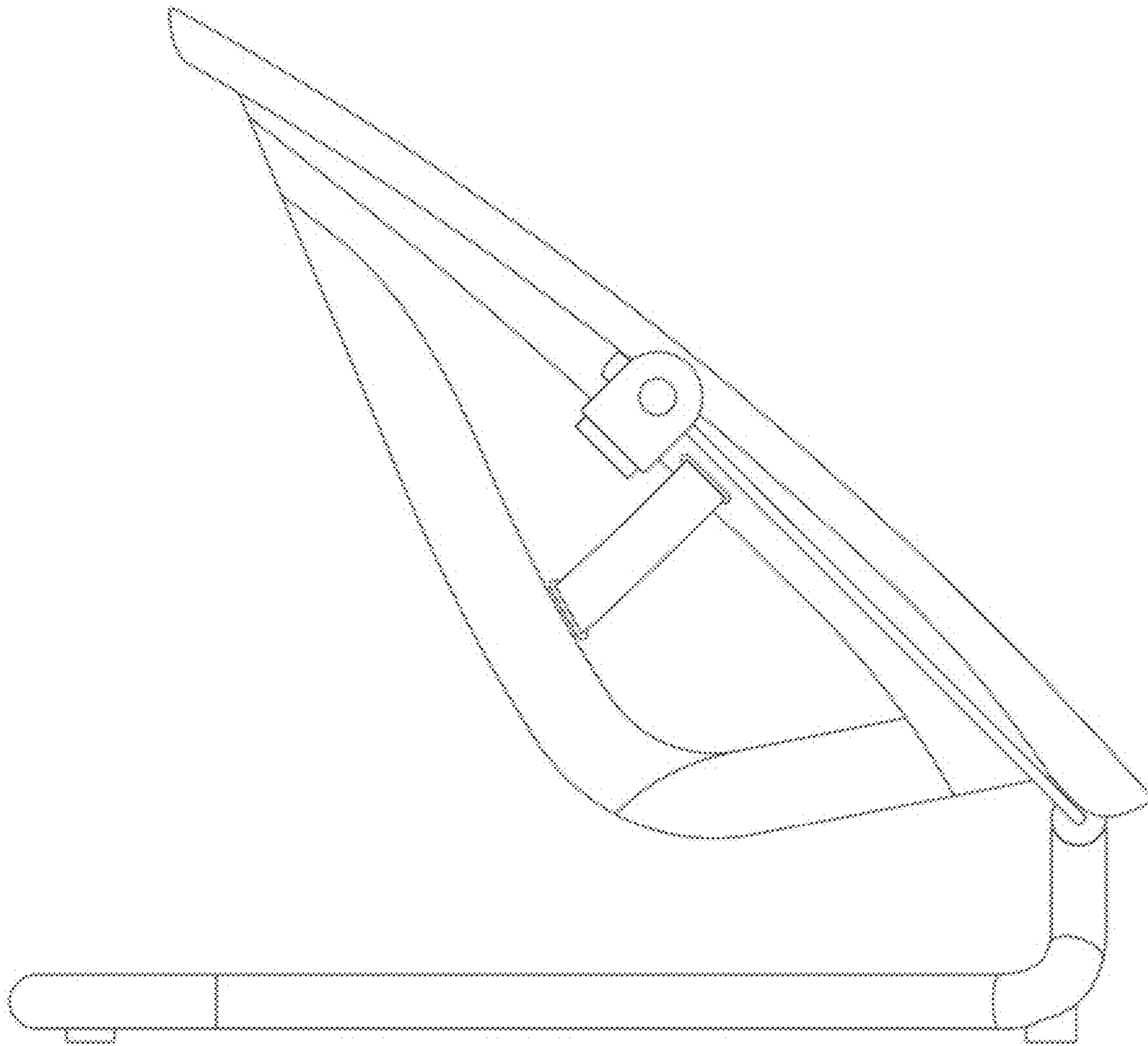
1.3



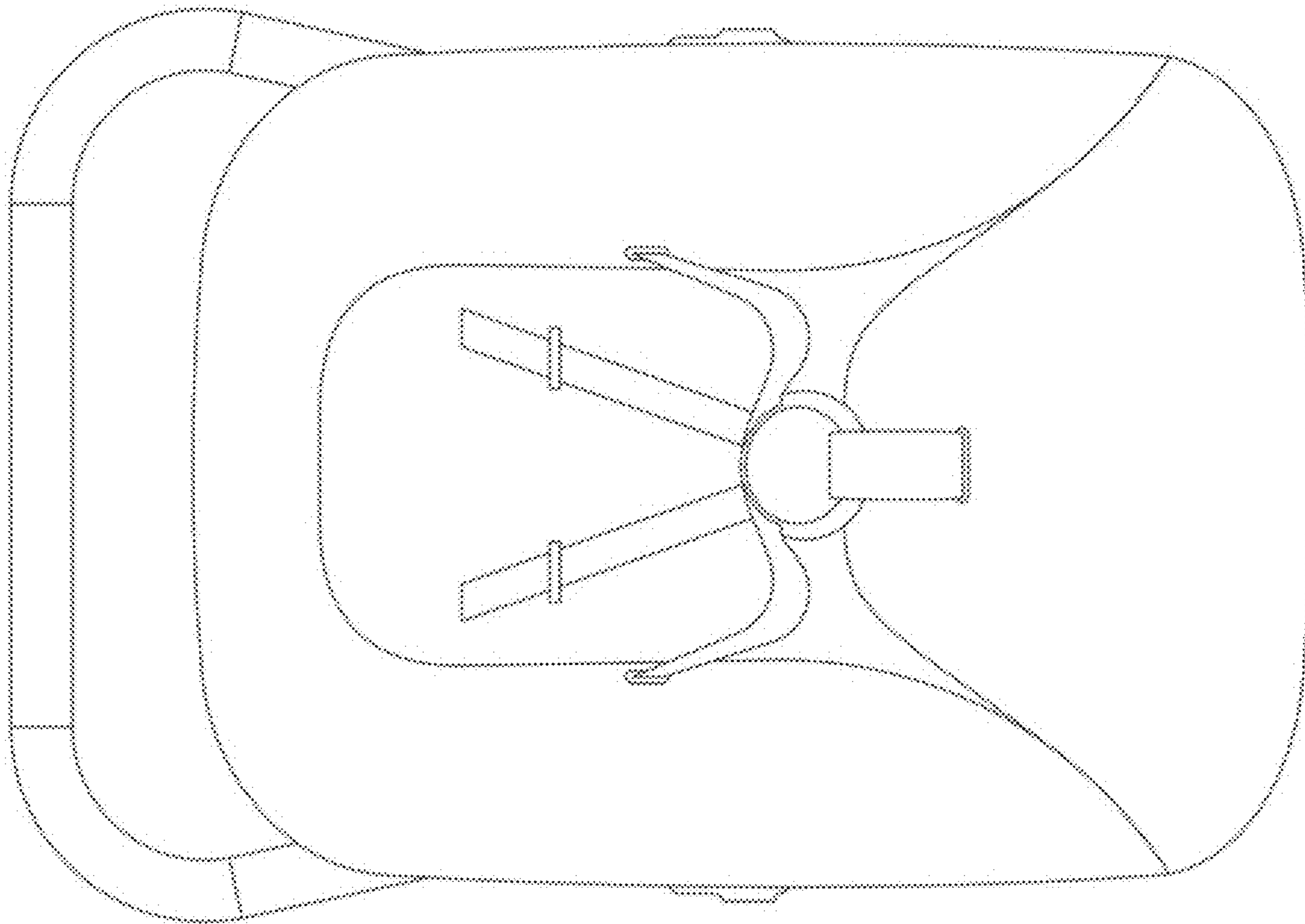
1.4



1.5



1.6



1.7

