



US00D863793S

(12) **United States Design Patent** (10) **Patent No.:** **US D863,793 S**  
**Ho** (45) **Date of Patent:** **\*\* Oct. 22, 2019**

(54) **GARMENT HANGER**  
(71) Applicant: **Sourcing Solutions International Limited, Kowloon (HK)**  
(72) Inventor: **Leung Ho, Kowloon (HK)**  
(73) Assignee: **Sourcing Solutions International Limited, Kowloon (HK)**  
(\*\*) Term: **15 Years**  
(21) Appl. No.: **29/657,151**  
(22) Filed: **Jul. 19, 2018**  
(51) **LOC (12) Cl.** ..... **06-08**  
(52) **U.S. Cl.**  
USPC ..... **D6/318**  
(58) **Field of Classification Search**  
USPC ..... D6/315-328  
CPC ..... A47G 25/28; A47G 25/743; A47G 25/26;  
A47G 25/442; A47G 25/30; A47G 25/36;  
A47G 25/16; A47G 25/14; A47G 25/18;  
A47G 25/005; A47F 7/19; A47F 7/00  
See application file for complete search history.

(56) **References Cited**  
U.S. PATENT DOCUMENTS  
D64,774 S \* 5/1924 Ten Eyck ..... 223/92  
2,328,142 A \* 8/1943 Hanauer ..... A47G 25/36  
223/87  
2,337,828 A \* 12/1943 Lipman ..... A47G 25/36  
223/87  
2,355,984 A \* 8/1944 Lupton ..... A47G 25/36  
223/87  
3,194,458 A \* 7/1965 Bennett ..... A47G 25/28  
223/87  
5,005,742 A \* 4/1991 Smith ..... A47G 25/48  
223/85  
D321,288 S \* 11/1991 Nichol, Jr. .... D6/315

D366,569 S \* 1/1996 Coles ..... D6/315  
5,632,423 A \* 5/1997 Louw ..... A47G 25/48  
223/85  
5,868,289 A \* 2/1999 Lee ..... A47G 25/36  
223/85  
7,198,182 B1 \* 4/2007 Schulman ..... A47G 25/1442  
223/87  
D548,982 S 8/2007 Chernicoff  
D563,680 S 3/2008 Barker  
D563,681 S 3/2008 Barker  
D563,682 S 3/2008 Barker  
D563,683 S 3/2008 Barker  
D564,242 S 3/2008 Barker  
D575,533 S 8/2008 Barker  
D582,166 S 12/2008 Barker  
D605,859 S 12/2009 Barker  
D605,860 S 12/2009 Barker  
D605,861 S \* 12/2009 Meadows ..... D6/315  
D649,365 S \* 11/2011 Young ..... D6/318  
D650,177 S \* 12/2011 Kimpton ..... D6/318  
D659,411 S 5/2012 Hyman  
D716,563 S 11/2014 Lee  
D743,179 S 11/2015 Barker  
D794,343 S \* 8/2017 Raznick ..... D6/319

(Continued)

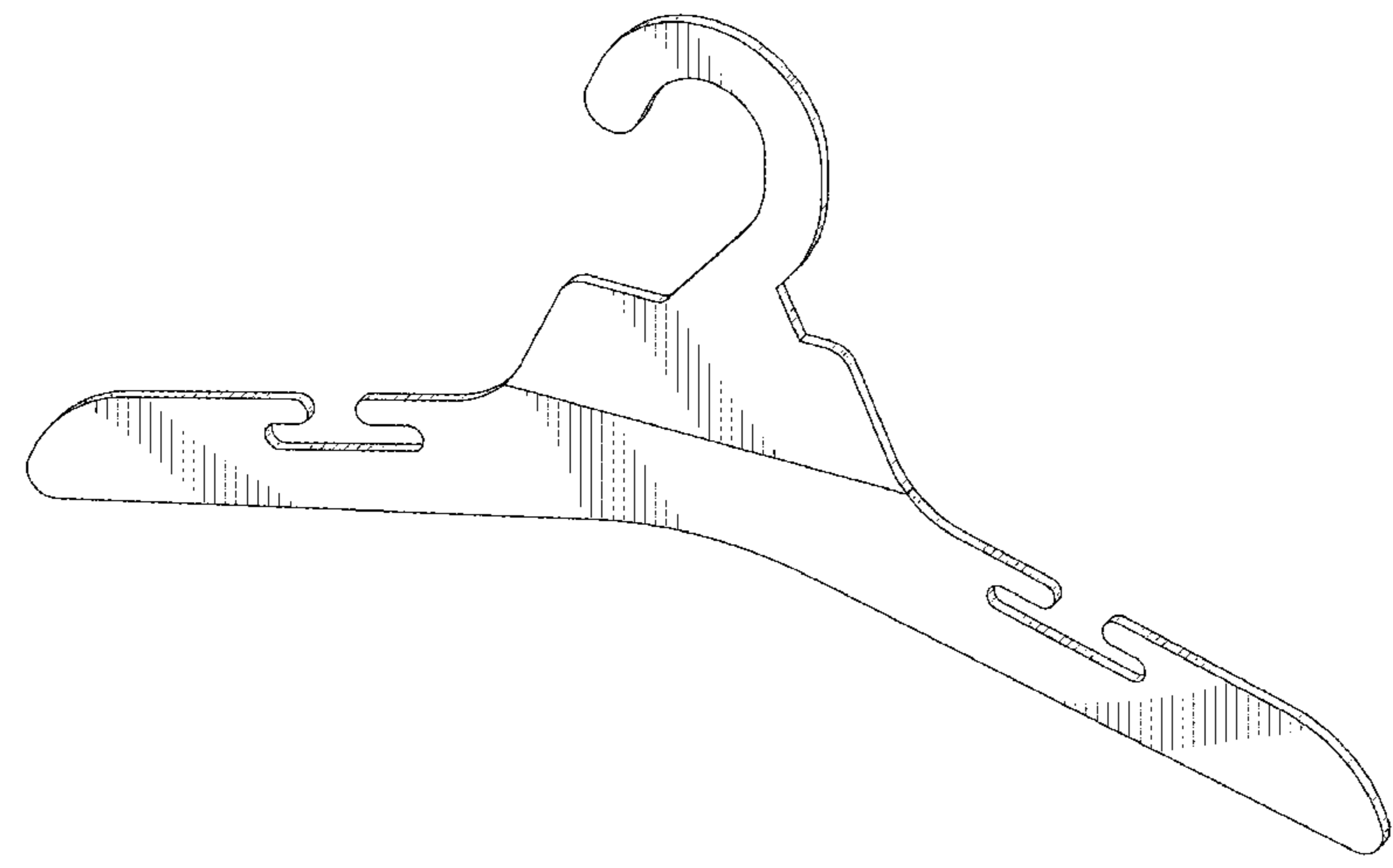
Primary Examiner — Lauren R Calve  
(74) Attorney, Agent, or Firm — Schroeder Law PC

(57) **CLAIM**  
The ornamental design for a garment hanger, as shown and described.

**DESCRIPTION**

FIG. 1 is a front perspective view of a garment hanger showing my new design;  
FIG. 2 is a front elevation view thereof;  
FIG. 3 is a right side elevation view thereof;  
FIG. 4 is a left side elevation view thereof;  
FIG. 5 is a rear elevation view thereof; and,  
FIG. 6 is a bottom view thereof.

**1 Claim, 5 Drawing Sheets**



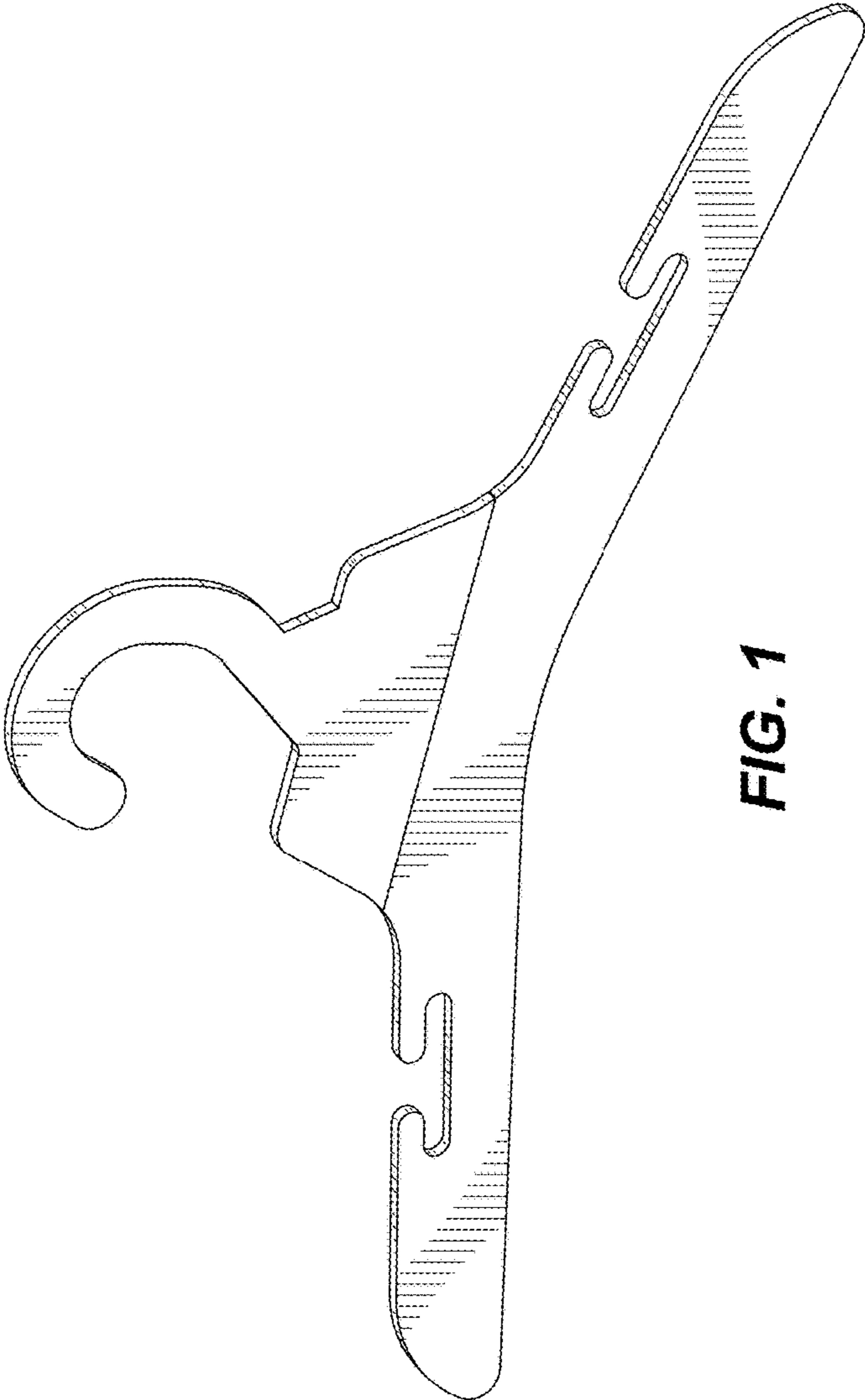
(56)

**References Cited**

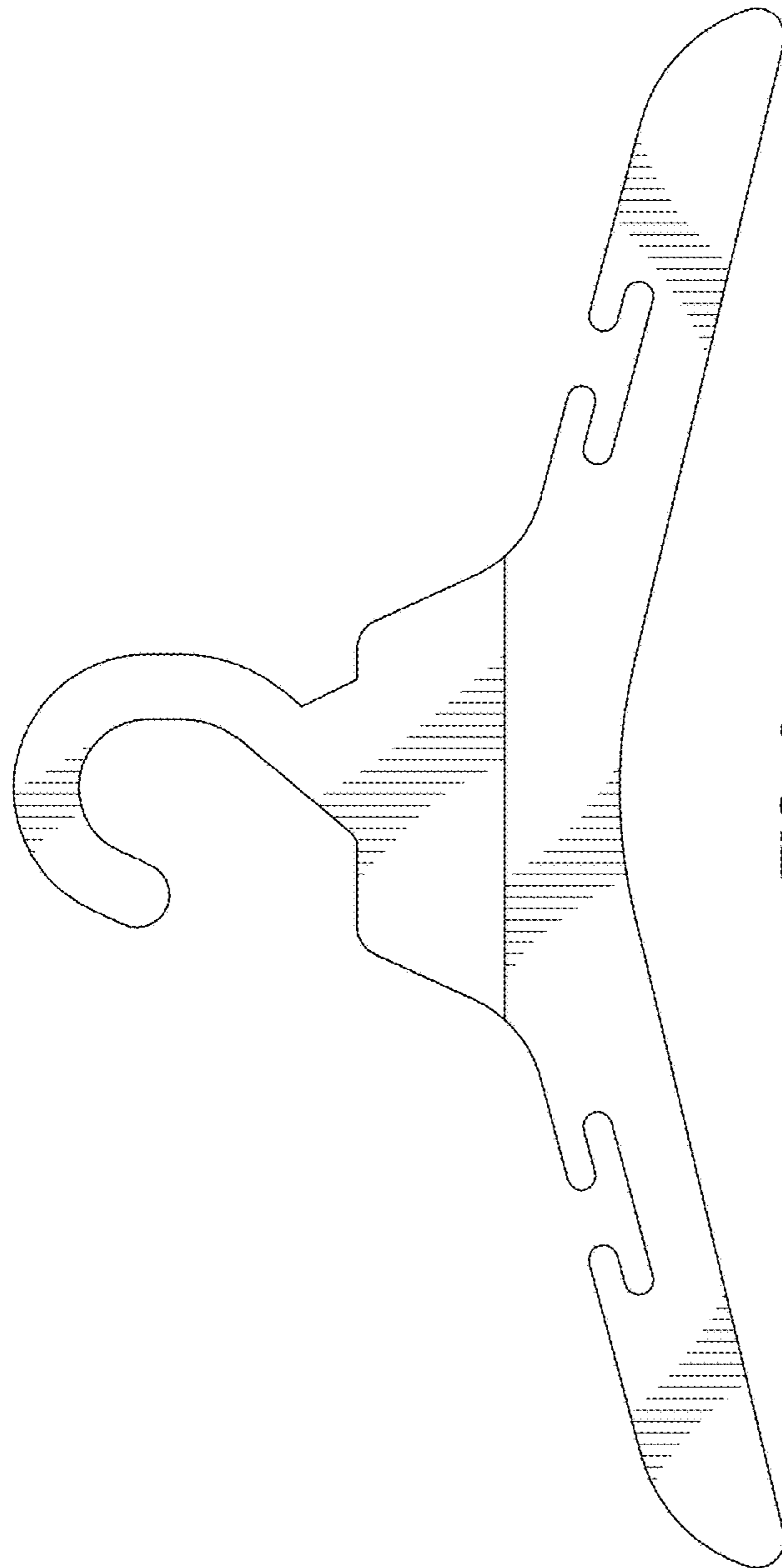
U.S. PATENT DOCUMENTS

D816,351 S \* 5/2018 Clark ..... D6/318  
2015/0021367 A1 \* 1/2015 Schaffer ..... A47G 25/36  
223/85

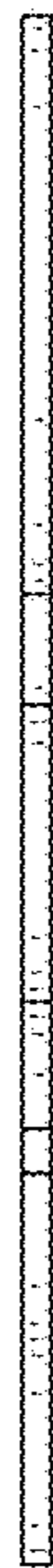
\* cited by examiner



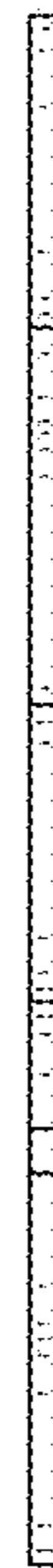
**FIG. 1**



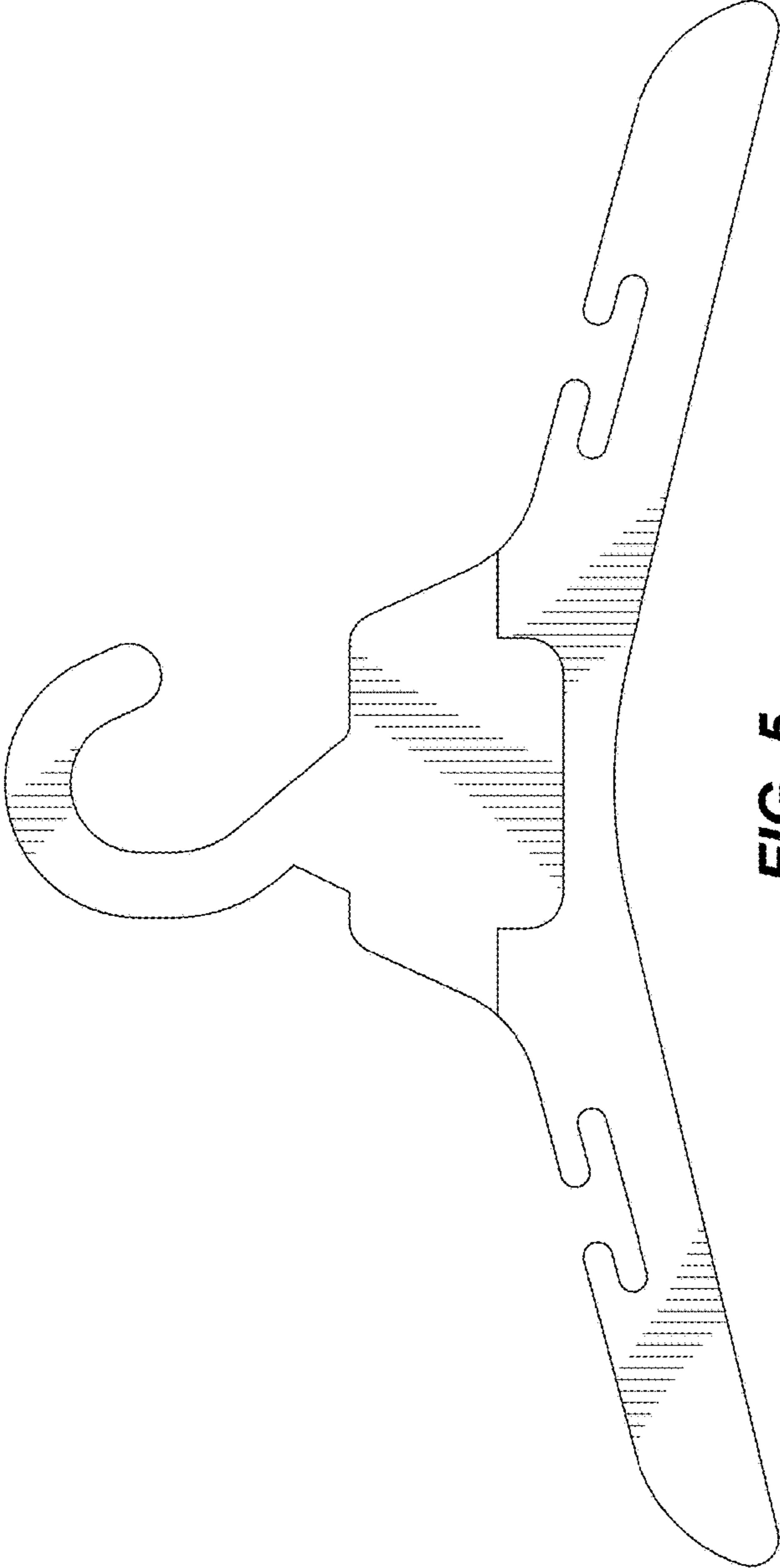
**FIG. 2**



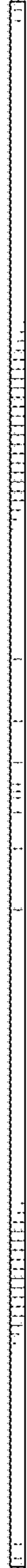
**FIG. 3**



**FIG. 4**



**FIG. 5**



**FIG. 6**