

US00D863791S

(12) **United States Design Patent** (10) **Patent No.:** **US D863,791 S**
Feng (45) **Date of Patent:** **** Oct. 22, 2019**

(54) **HANGER**

(71) Applicant: **Amazonkey**, Chino, CA (US)

(72) Inventor: **ZhenHua Feng**, Shandong (CN)

(73) Assignee: **Amazonkey**, Chino, CA (US)

(**) Term: **15 Years**

(21) Appl. No.: **29/696,847**

(22) Filed: **Jul. 1, 2019**

(51) **LOC (12) Cl.** **06-08**

(52) **U.S. Cl.**
 USPC **D6/315**

(58) **Field of Classification Search**
 USPC D6/315–328
 CPC A47G 25/26; A47G 25/28; A47G 25/30;
 A47G 25/32; A47G 25/34; A47G 25/36;
 A47G 25/38; A47G 25/442; A47G
 25/625; A47G 25/743; A47G 25/1407;
 A47G 25/1457; A47G 2025/1492; A47F
 7/18; A47F 7/19; A47F 7/22

See application file for complete search history.

(56) **References Cited**

U.S. PATENT DOCUMENTS

D151,572 S * 10/1948 Tomarin D6/315
 2,829,811 A * 4/1958 Baschnonga A47G 25/66
 223/95
 D187,092 S * 1/1960 Charak D6/315
 3,317,055 A * 5/1967 Roscicki A47G 25/1457
 211/124

3,633,802 A * 1/1972 Webster A47G 25/1457
 294/143
 D247,084 S * 1/1978 De Mascole D6/315
 D267,919 S * 2/1983 Owens D6/315
 5,901,888 A * 5/1999 Schneider A47G 25/403
 223/88
 D552,852 S 10/2007 Schultz
 D650,176 S * 12/2011 Gadsby D6/315
 D668,879 S * 10/2012 Lewis D6/315
 D694,026 S * 11/2013 Berger D6/318
 8,720,842 B2 * 5/2014 Huang A47F 5/0006
 211/113
 D757,454 S * 5/2016 Alesi D6/315
 D792,113 S * 7/2017 Tsujimoto D6/319
 D843,742 S 3/2019 Clark et al.
 D846,893 S 4/2019 Clark et al.

* cited by examiner

Primary Examiner — Lauren R Calve

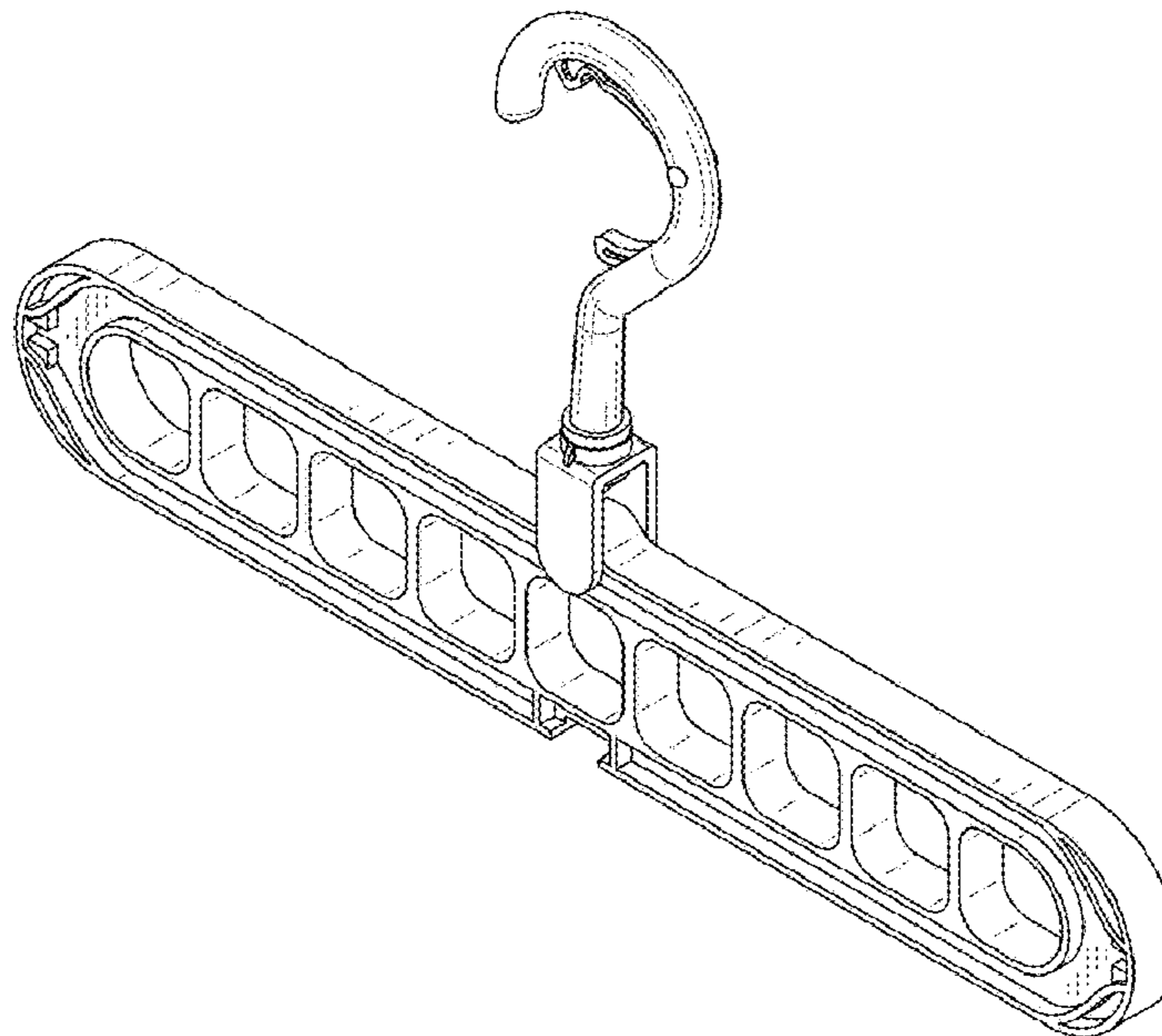
(57) **CLAIM**

The ornamental design for a hanger, as shown and described.

DESCRIPTION

FIG. 1 is a top perspective view of a hanger showing my new design;
 FIG. 2 is a bottom perspective view thereof;
 FIG. 3 is a front view thereof;
 FIG. 4 is a back view thereof;
 FIG. 5 is a left side view thereof;
 FIG. 6 is a right side view thereof;
 FIG. 7 is a top view thereof; and,
 FIG. 8 is a bottom view thereof.

1 Claim, 8 Drawing Sheets



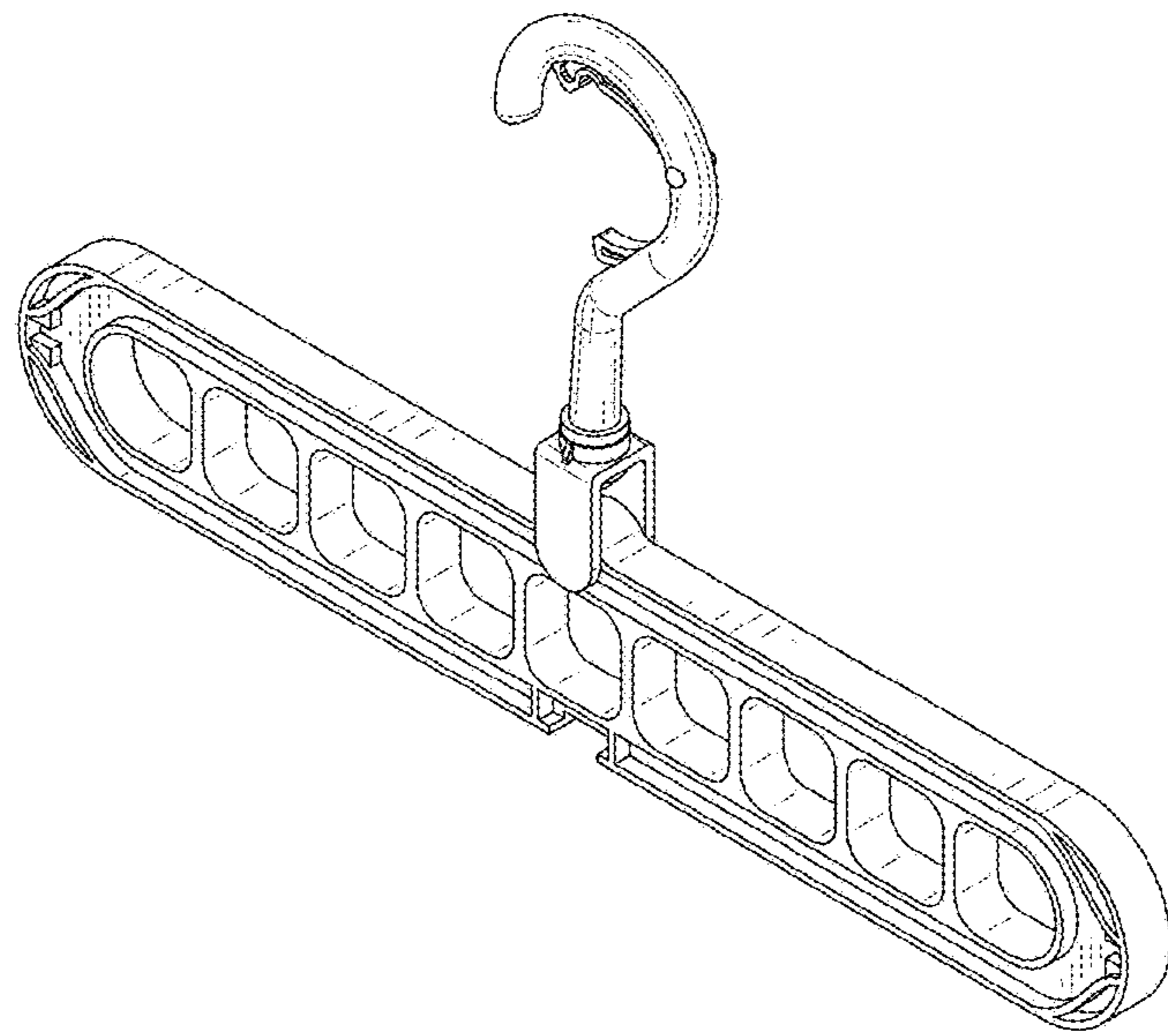


FIG. 1

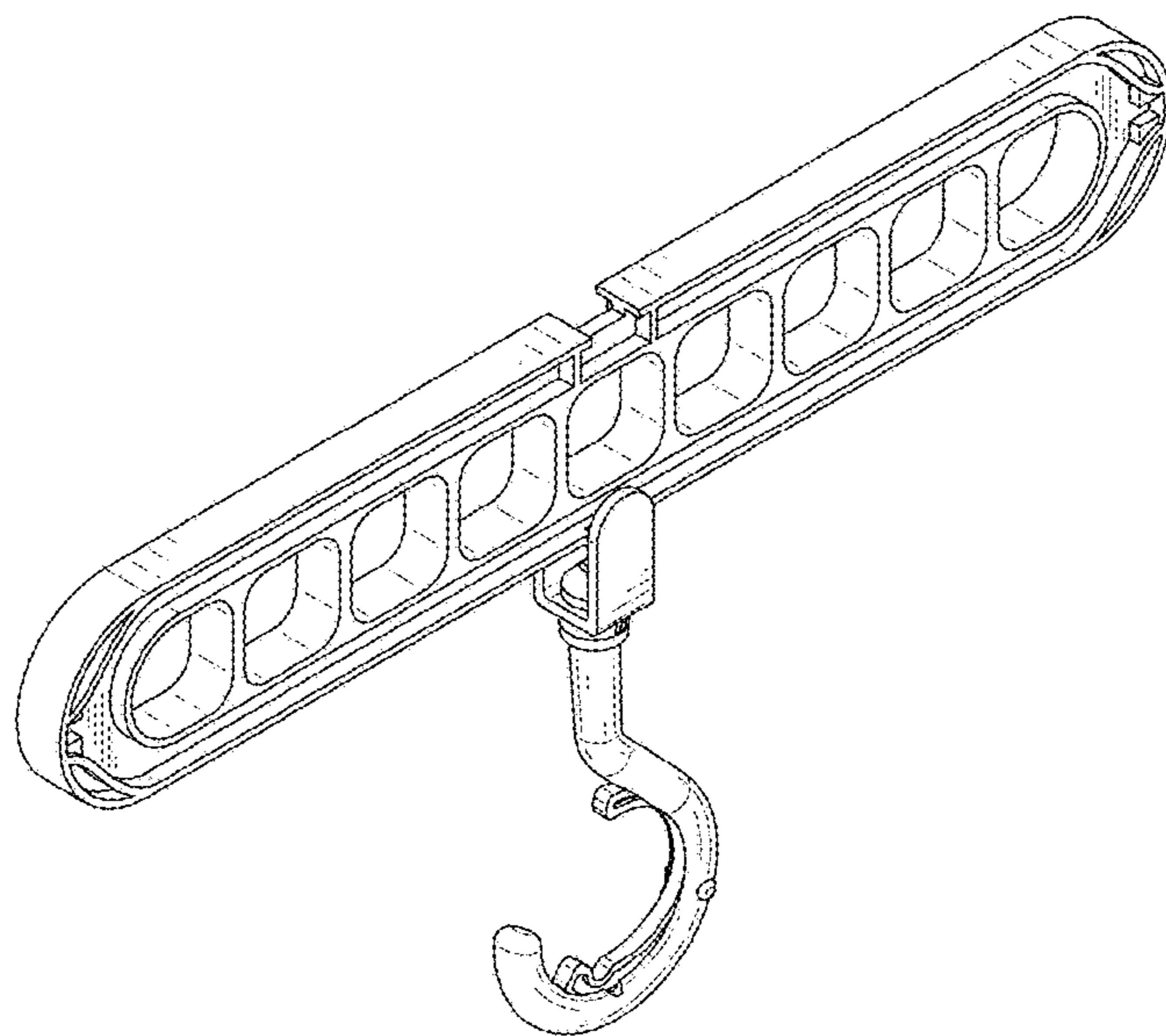


FIG. 2

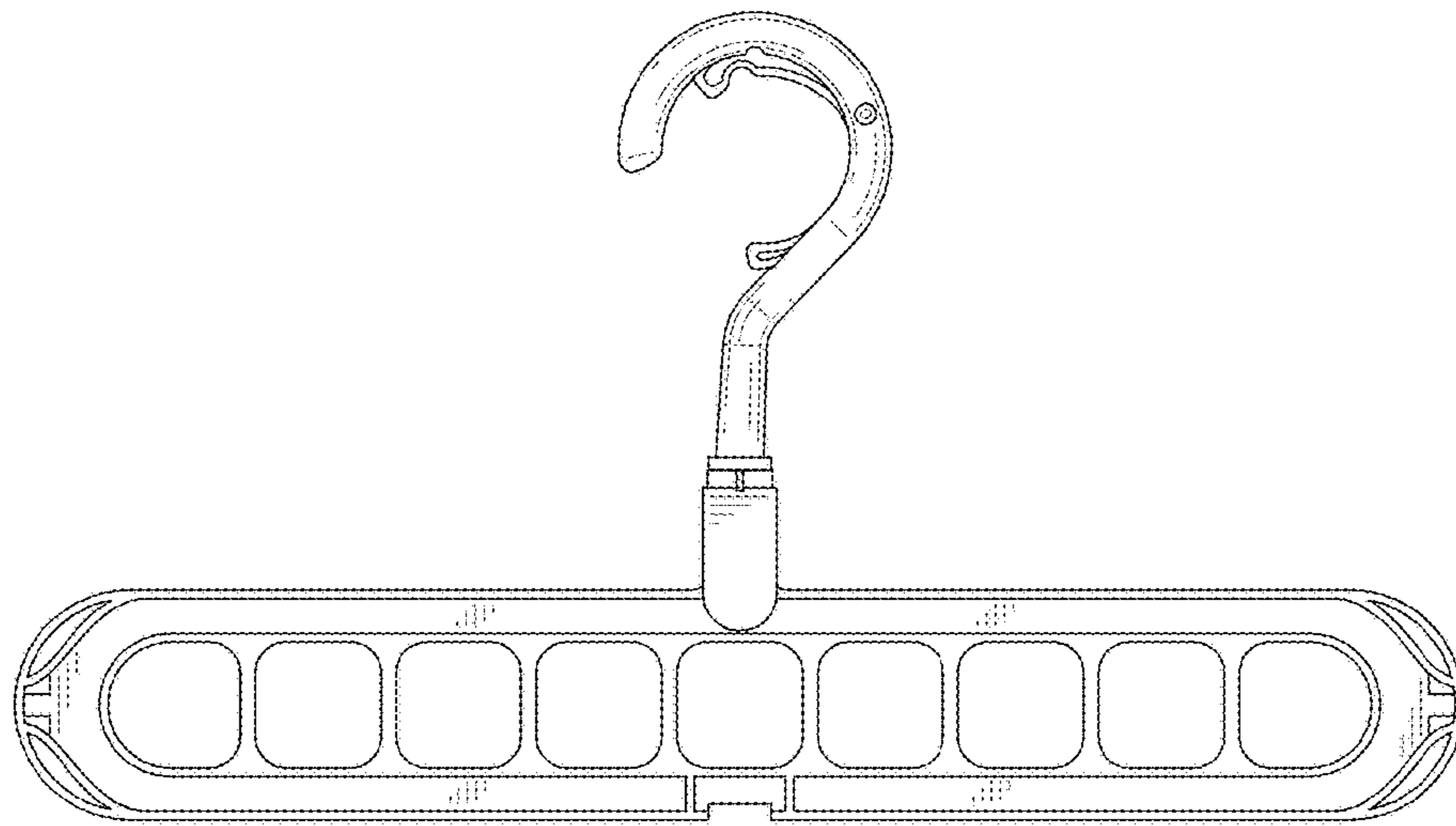


FIG. 3

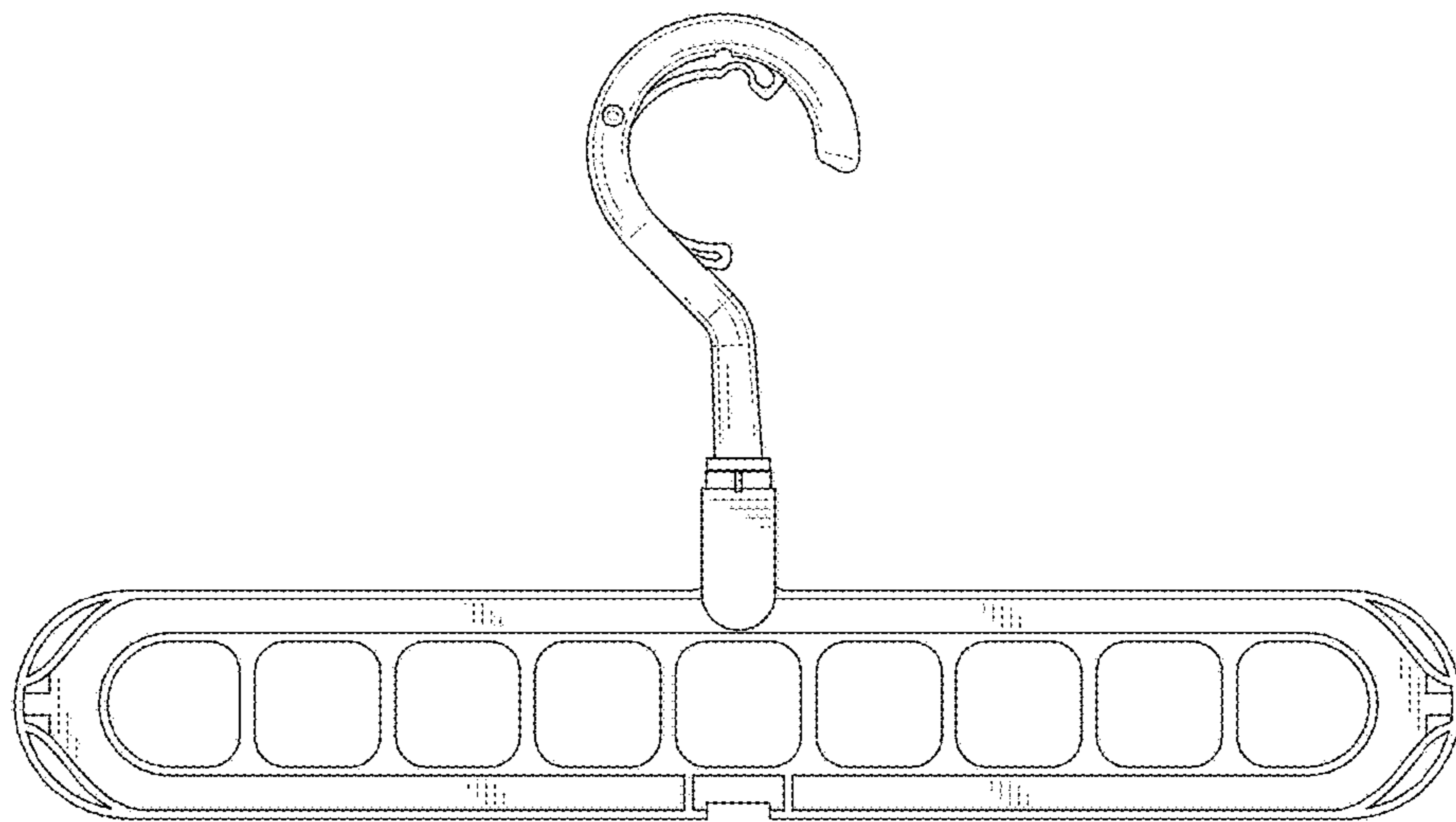


FIG. 4

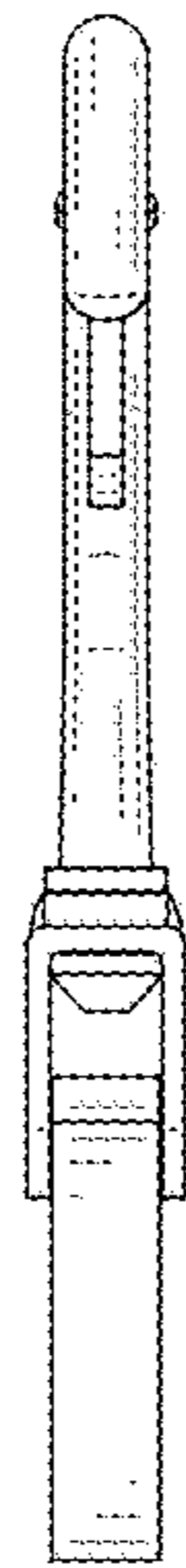


FIG. 5

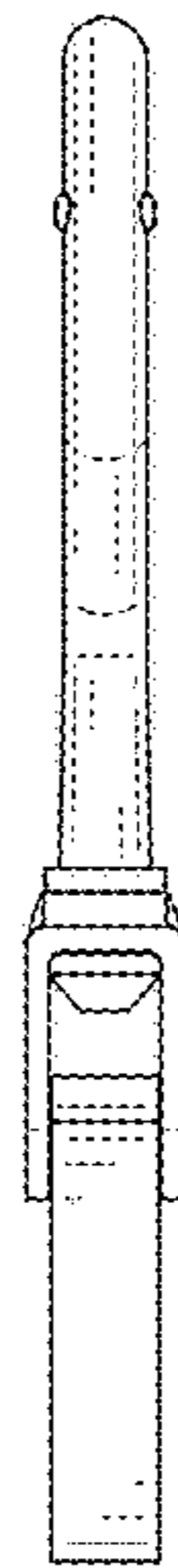


FIG. 6

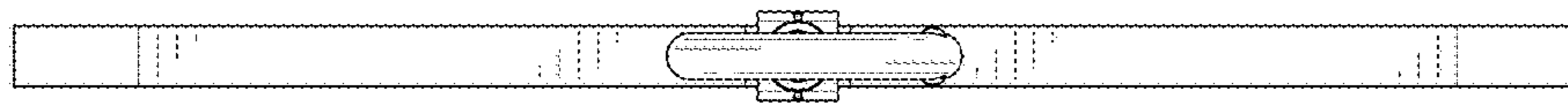


FIG. 7

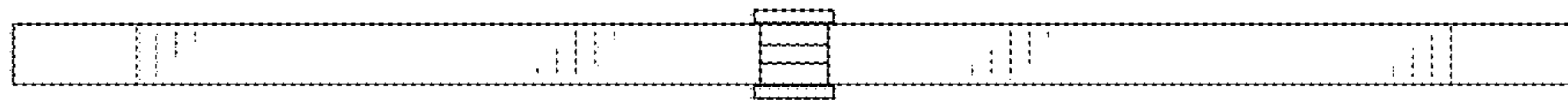


FIG. 8