



US00D863783S

(12) **United States Design Patent**
Meyer et al.

(10) **Patent No.:** **US D863,783 S**

(45) **Date of Patent:** **** Oct. 22, 2019**

(54) **PAINT BRUSH SLEEVE**

(71) Applicant: **BRUSHMASTERS LLC**, Glendale, MO (US)

(72) Inventors: **Gregory J. Meyer**, Glendale, MO (US); **Matthew Hutcherson**, Lee's Summit, MO (US)

(73) Assignee: **BRUSHMASTERS LLC**, Glendale, MO (US)

(**) Term: **15 Years**

(21) Appl. No.: **29/661,507**

(22) Filed: **Aug. 28, 2018**

(51) **LOC (12) Cl.** **04-99**

(52) **U.S. Cl.**
USPC **D4/199**

(58) **Field of Classification Search**
USPC D3/228, 269, 300; D4/199; D9/702, D9/711, 712; 15/246, 247; 150/161; 206/15.3, 284, 361, 362.2, 362.3, 362.4; 428/34.3
CPC .. A46B 17/04; A46B 2200/202; B65D 25/105
See application file for complete search history.

(56) **References Cited**

U.S. PATENT DOCUMENTS

2,558,191 A	6/1951	Nightingale
3,193,863 A	7/1965	Myers et al.
4,062,084 A	12/1977	DuBois
4,129,918 A	12/1978	Lee

5,084,932 A	2/1992	Zasnchi	
D492,849 S *	7/2004	Goulet	D4/199
D559,549 S *	1/2008	Phillips	D4/199
D560,366 S *	1/2008	Phillips	D4/199
D562,010 S *	2/2008	Goulet	D4/199
D572,907 S *	7/2008	Byrne	D4/199
D727,034 S *	4/2015	Lewis	D4/199
D735,382 S *	7/2015	Blanchette	D26/38
D768,999 S *	10/2016	Schlegel	D4/199
D782,204 S *	3/2017	Stein	D4/199
D784,029 S *	4/2017	Hammond	D4/199
D785,951 S *	5/2017	Rosenzweig	D4/199
2005/0273962 A1	12/2005	Dillon	

* cited by examiner

Primary Examiner — Austin Murphy

(74) *Attorney, Agent, or Firm* — Dickinson Wright PLLC; Mark E. Scott

(57) **CLAIM**

The ornamental design for a paint brush sleeve, as shown.

DESCRIPTION

FIG. 1 is a perspective view of a paint brush sleeve showing the new design.

FIG. 2 is a front view thereof;

FIG. 3 is a back view thereof;

FIG. 4 is a first side view thereof;

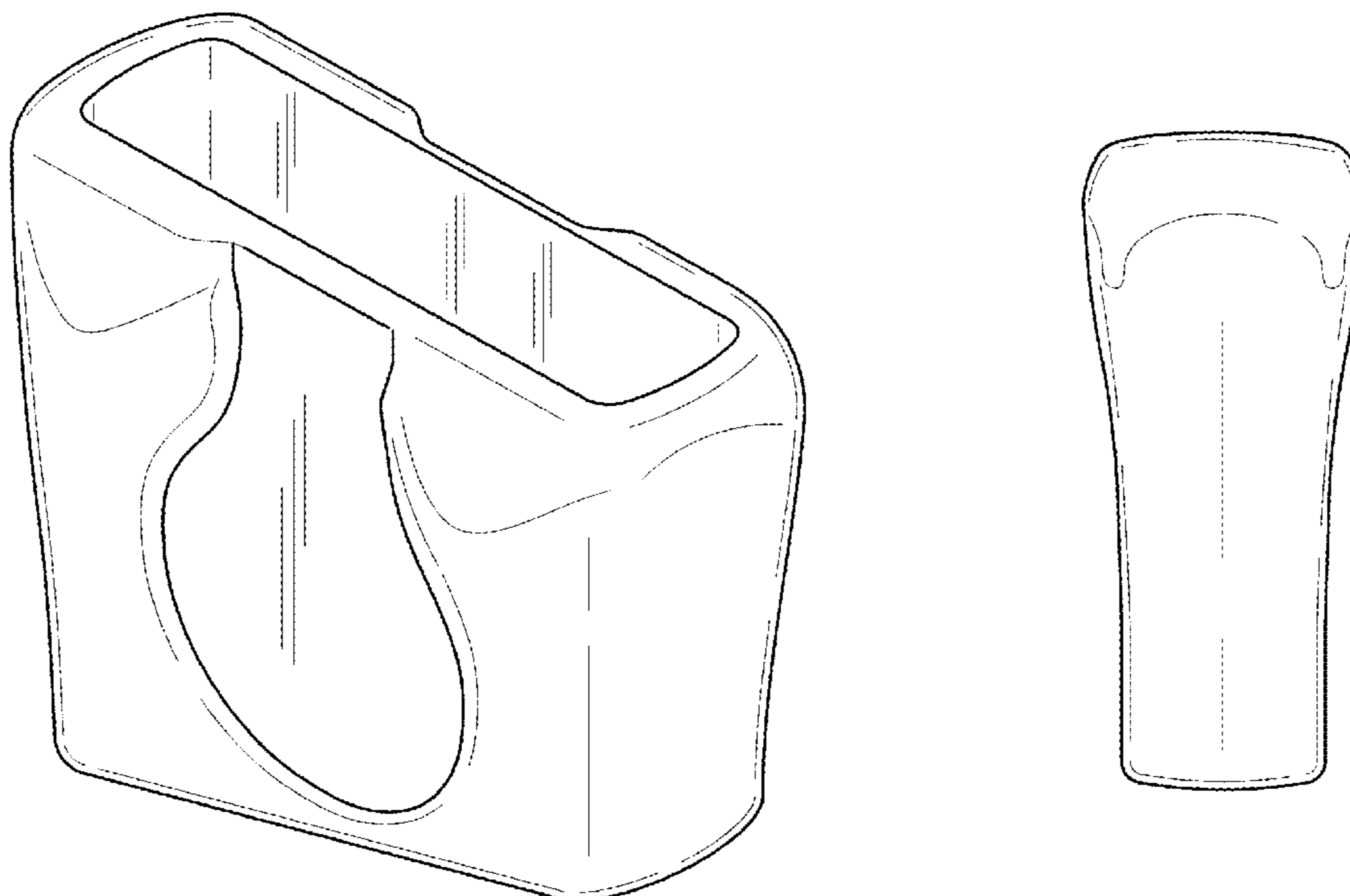
FIG. 5 is a second side view thereof;

FIG. 6 is a top view thereof;

FIG. 7 is a bottom view thereof; and,

FIG. 8 is a perspective view showing the paint brush sleeve in an example environment.

1 Claim, 5 Drawing Sheets



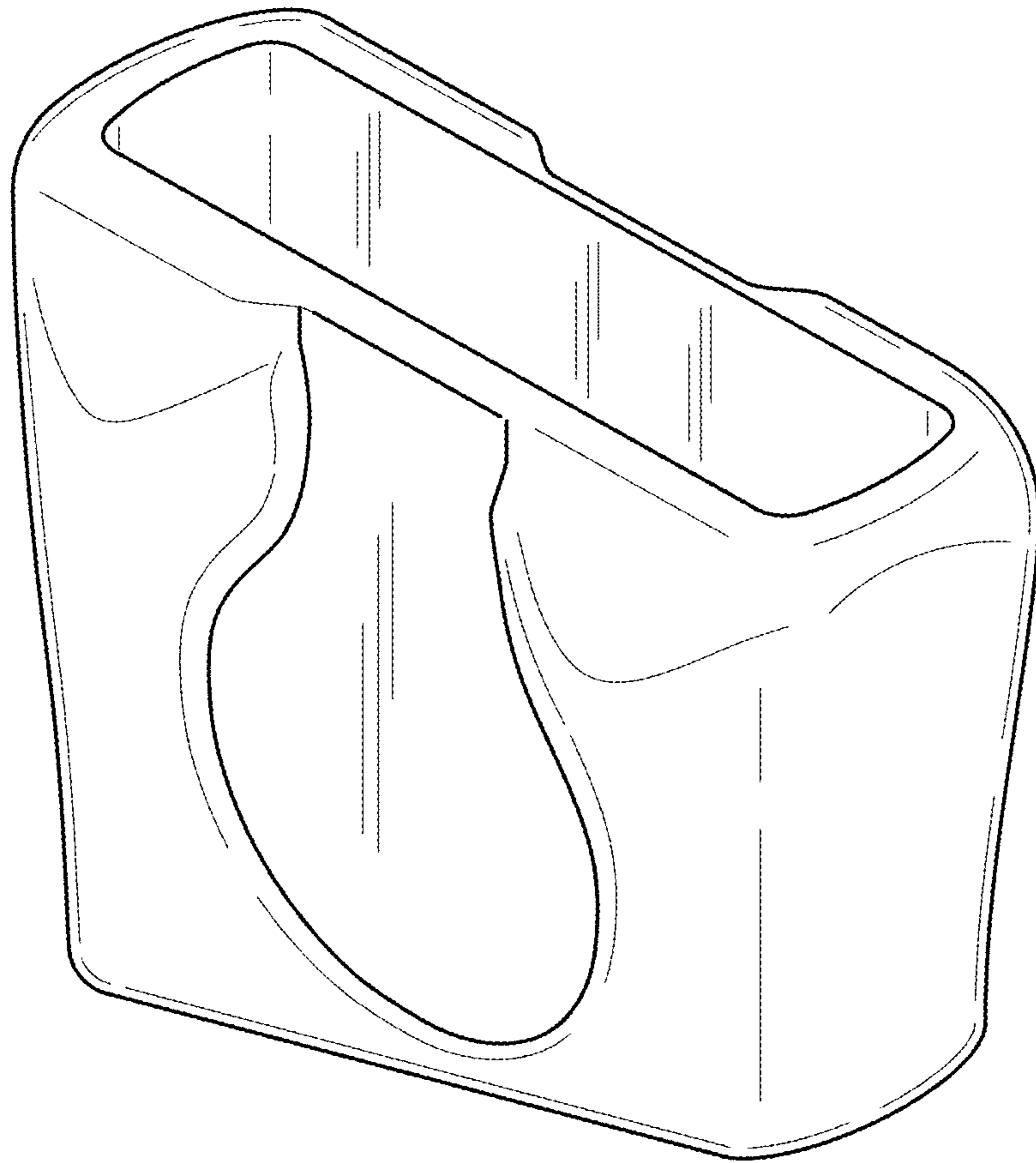


FIG. 1

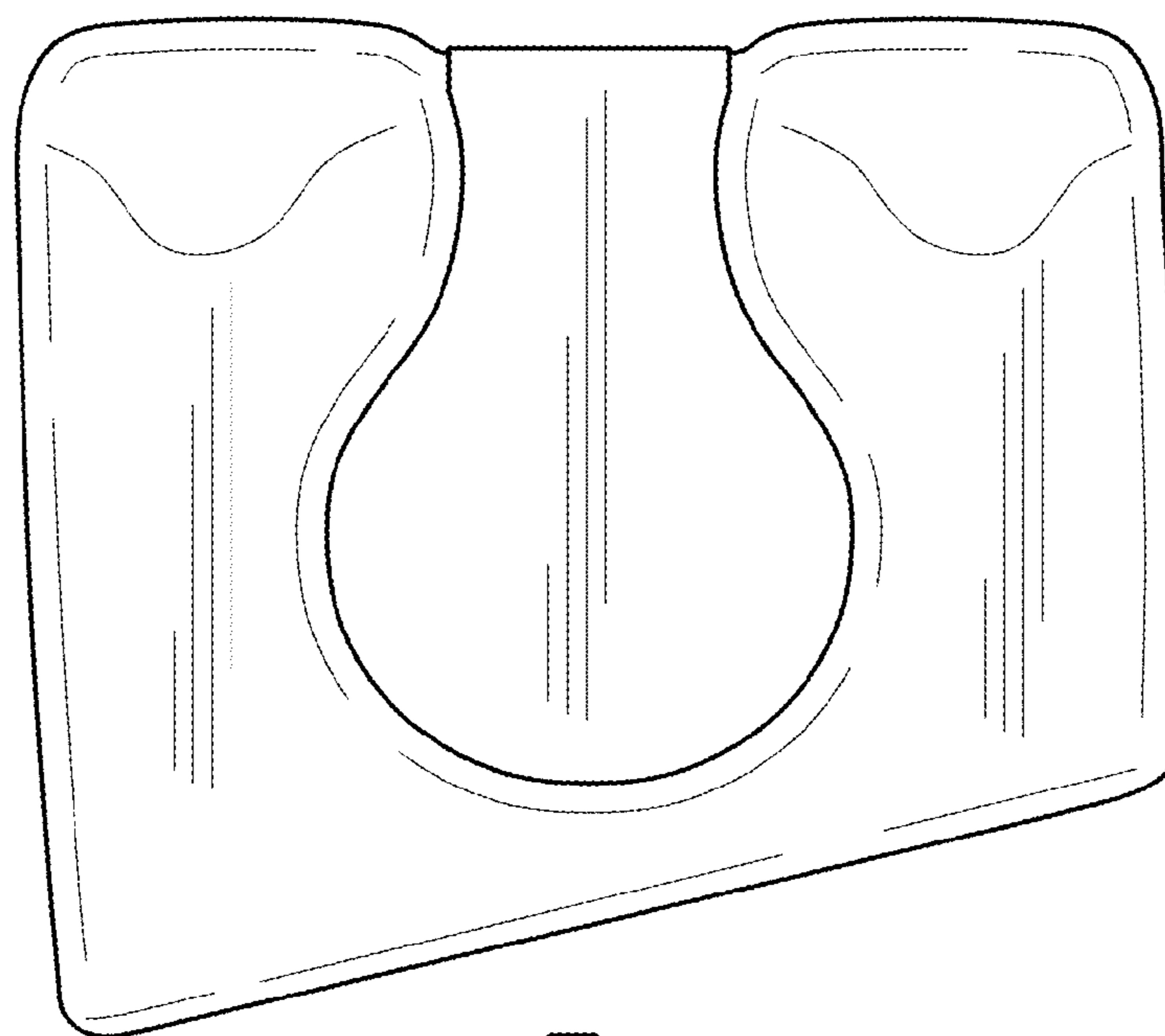


FIG. 2

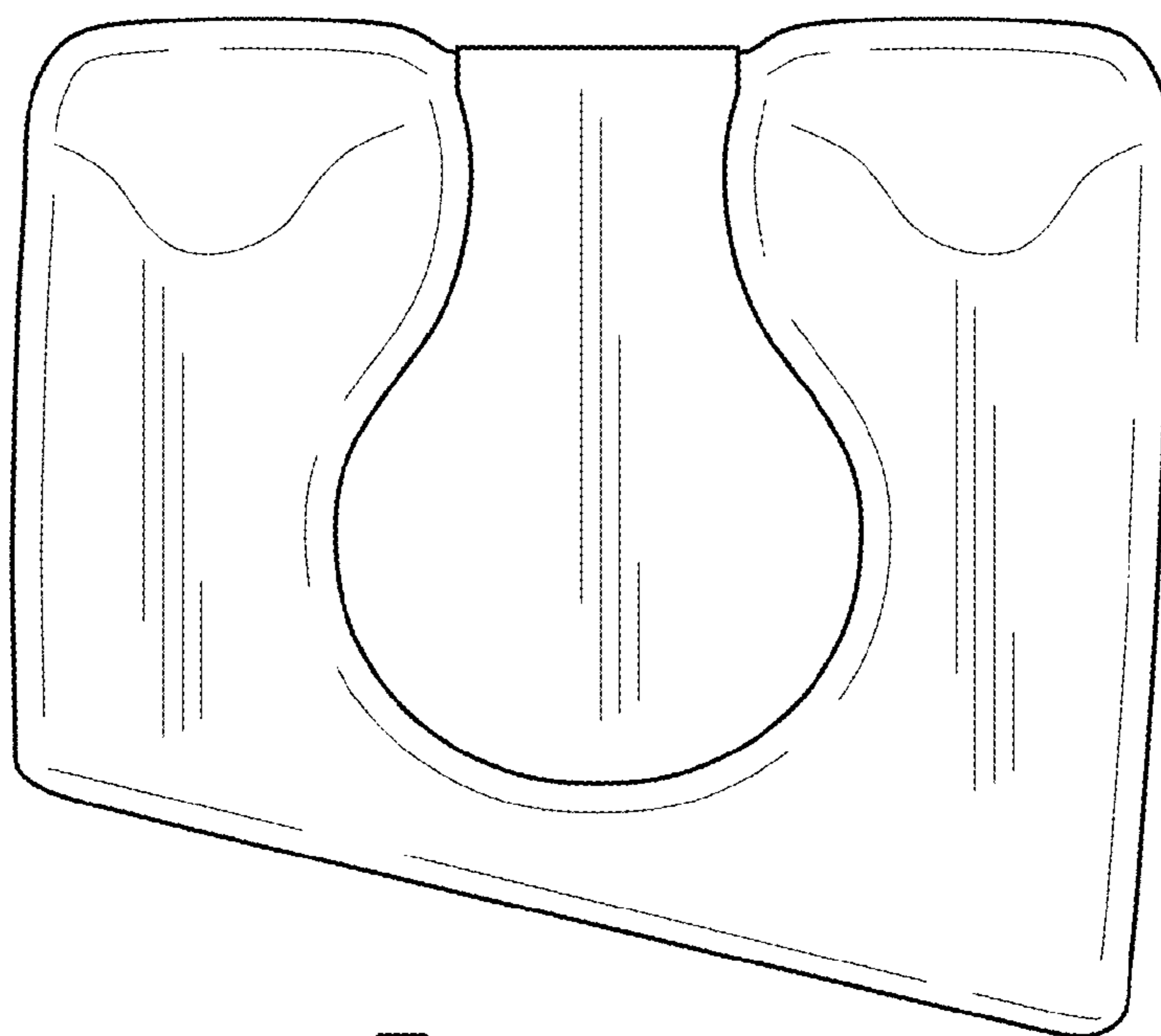


FIG. 3

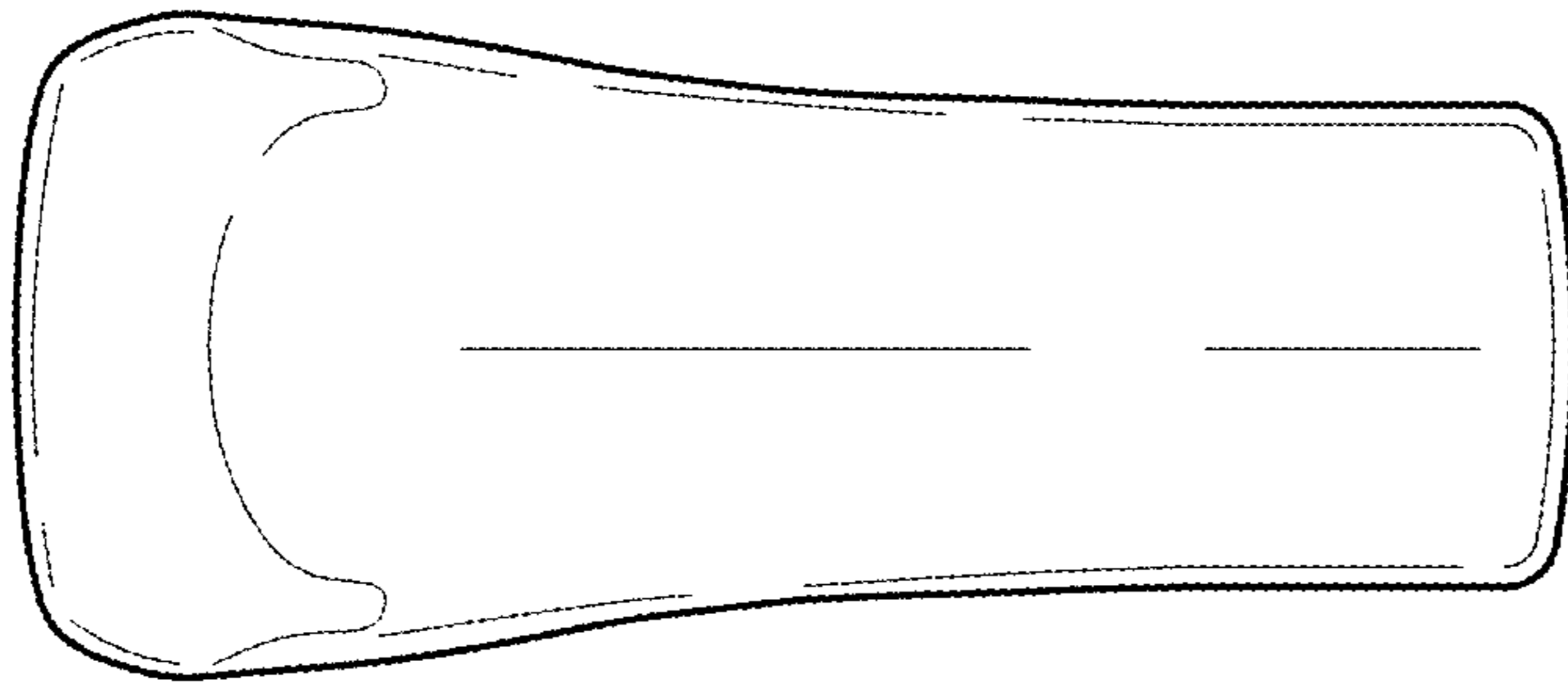


FIG. 5

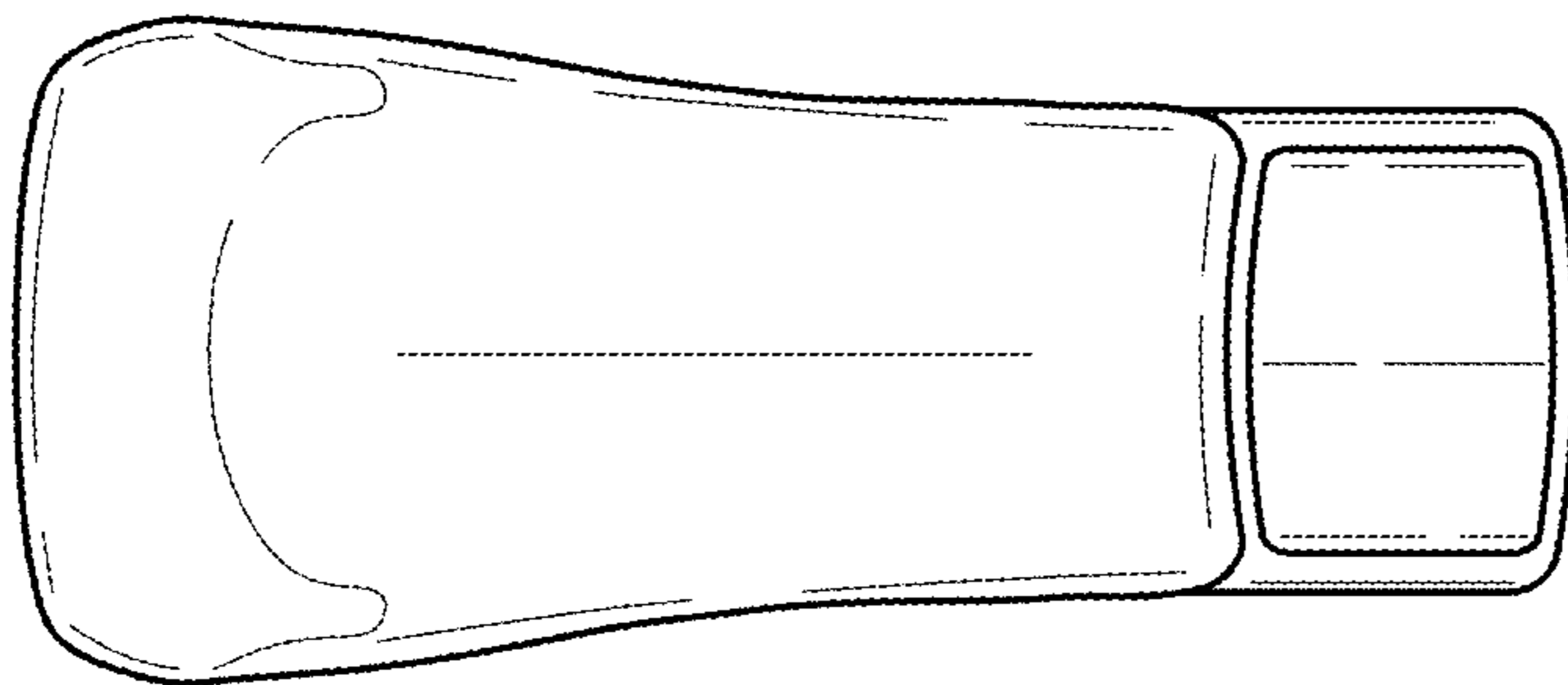


FIG. 4

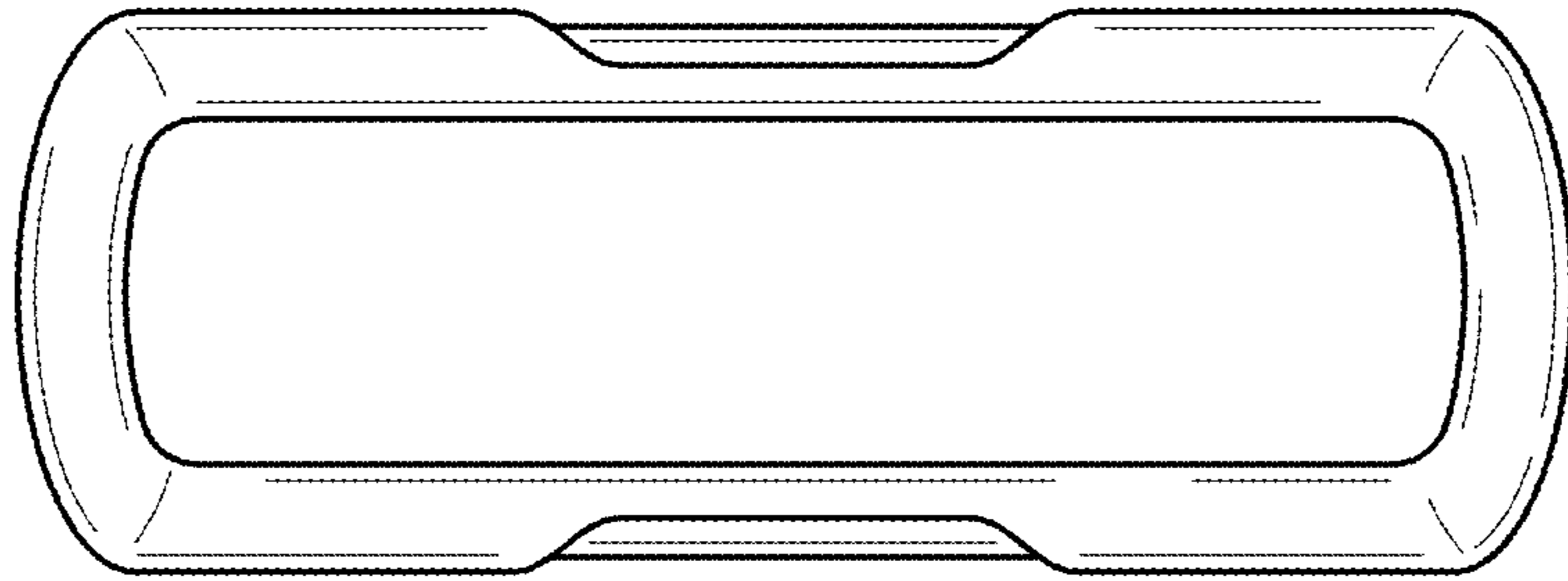


FIG. 6

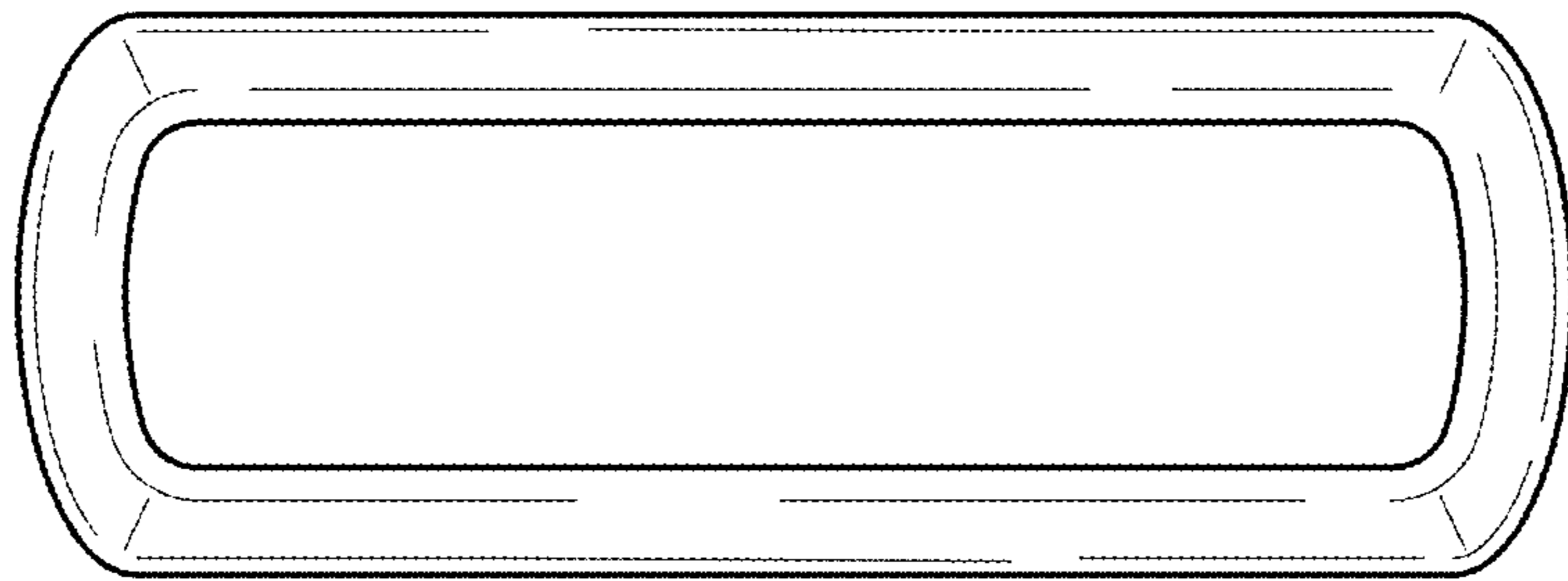


FIG. 7

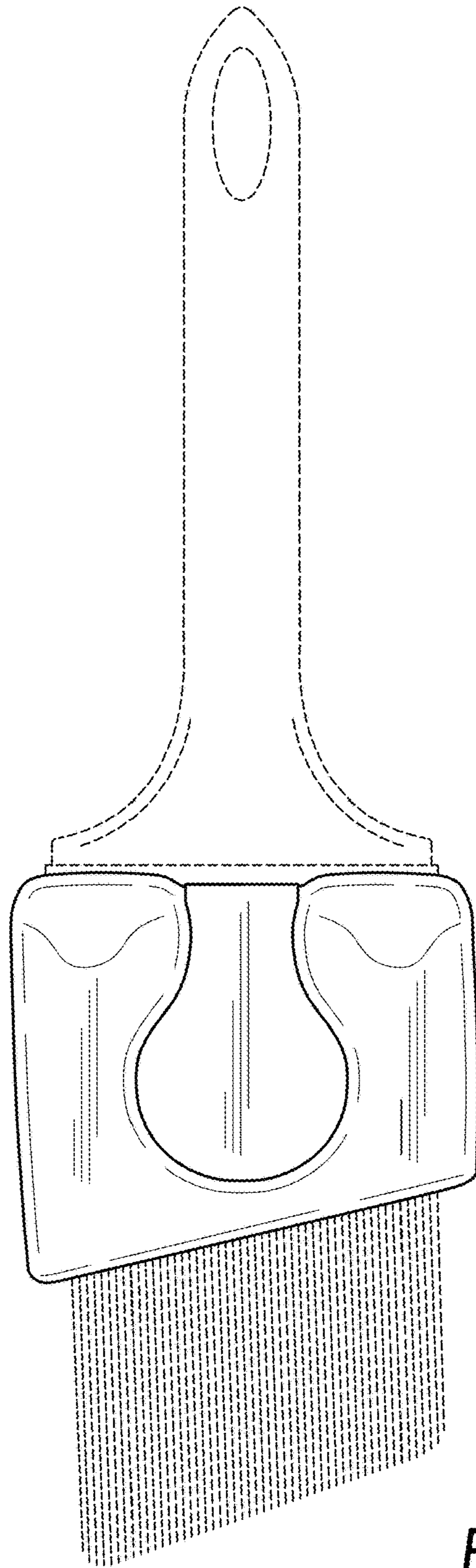


FIG. 8