



US00D863775S

(12) **United States Design Patent** (10) **Patent No.:** **US D863,775 S**  
**Courtney et al.** (45) **Date of Patent:** **\*\* Oct. 22, 2019**

(54) **HANDLE FOR DENTAL APPLIANCE**  
(71) Applicant: **Dyson Technology Limited**, Wiltshire (GB)  
(72) Inventors: **Stephen Benjamin Courtney**, Bath (GB); **Timothy Nicholas Stickney**, Gloucester (GB); **Thomas James Dunning Follows**, Swindon (GB); **Jonathan George Marsh**, Swindon (GB); **Adam James Bates**, Oxford (GB); **Peter David Gammack**, Gloucester (GB)

(73) Assignee: **Dyson Technology Limited**, Malmesbury, Wiltshire (GB)  
(\*\*) Term: **15 Years**  
(21) Appl. No.: **29/674,388**  
(22) Filed: **Dec. 20, 2018**

**Related U.S. Application Data**

(62) Division of application No. 29/602,440, filed on May 1, 2017, now Pat. No. Des. 836,345.

**Foreign Application Priority Data**

(30) Nov. 2, 2016 (GB) ..... 6002264  
Nov. 2, 2016 (GB) ..... 6002266  
Nov. 2, 2016 (GB) ..... 6002268  
(51) **LOC (12) Cl.** ..... **04-02**  
(52) **U.S. Cl.**  
USPC ..... **D4/101**  
(58) **Field of Classification Search**  
USPC ..... D4/101, 104, 105, 108, 110, 111;  
D24/111, 152, 156, 176; D8/300, 301,  
D8/303, 321

(Continued)

(56) **References Cited**  
U.S. PATENT DOCUMENTS  
1,051,815 A 1/1913 Morgan  
D84,131 S 5/1931 D'Ayrenx et al.  
(Continued)

**FOREIGN PATENT DOCUMENTS**

CN 304361403 11/2017  
GB 2538299 11/2016  
(Continued)

**OTHER PUBLICATIONS**

Courtney et al., Ex Parte Quayle Action dated Dec. 5, 2018, directed to U.S. Appl. No. 29/602,331; 5 pages.  
(Continued)

*Primary Examiner* — Wan Laymon  
*Assistant Examiner* — Clint A Samuel  
(74) *Attorney, Agent, or Firm* — Morrison & Foerster LLP

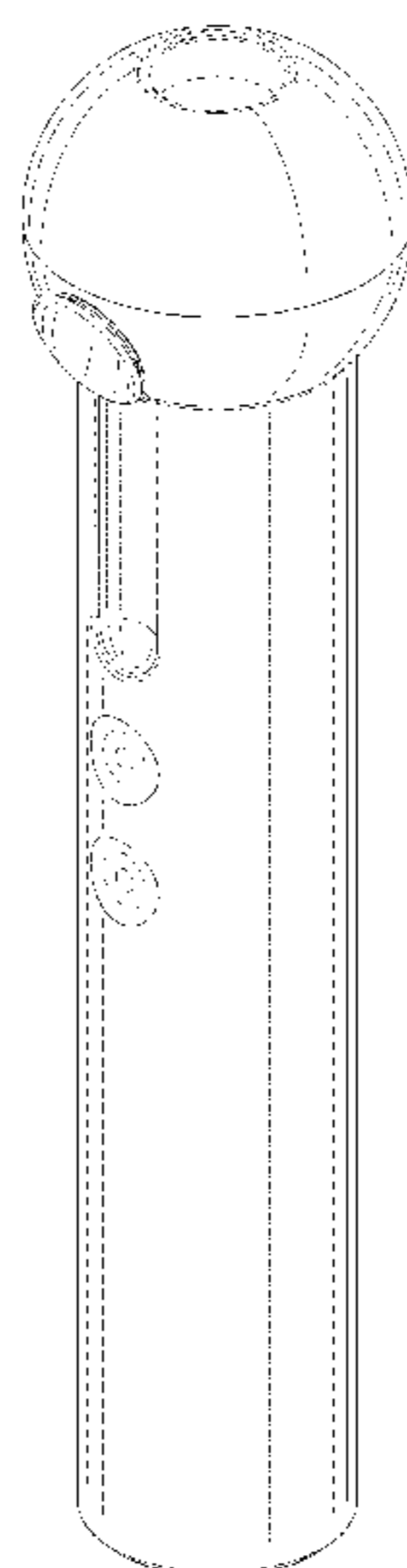
(57) **CLAIM**

We claim the ornamental design for a handle for dental appliance, as shown and described.

**DESCRIPTION**

FIG. 1 is a perspective view of a handle for dental appliance showing our new design;  
FIG. 2 is a front view thereof;  
FIG. 3 is a rear view thereof;  
FIG. 4 is a side view thereof;  
FIG. 5 is a side view of the opposite side of FIG. 4;  
FIG. 6 is a top view thereof; and,  
FIG. 7 is a bottom view thereof.  
The broken lines shown in the drawings illustrate portions of a handle for dental appliance that form no part of the claimed design.

**1 Claim, 7 Drawing Sheets**



(58) **Field of Classification Search**

CPC ..... A46B 5/00; A46B 5/021; A46B 5/023;  
 A46B 5/026; A46B 5/028; A46B 5/0016;  
 A46B 5/0095; A46B 13/00; A46B 13/02;  
 A46B 13/04; A46B 2200/10; A46B  
 2200/30; A46B 2200/108; A46B  
 2200/302; A46B 2200/304; A46B  
 2200/1066; A46B 2200/1073; A46B  
 2200/1086; A46B 2200/3026; A46B  
 2200/3033; A46B 2200/3046; A46B 9/04;  
 A61C 15/00; A61C 15/047; A61C  
 15/048; A61C 17/00; A61C 17/02; A61C  
 17/16; A61C 17/22; A61C 17/26; A61C  
 17/38; A61C 17/40; A61C 17/221; A61C  
 17/225; A61C 17/227; A61C 17/0202;  
 A61C 1/0084

See application file for complete search history.

(56)

**References Cited**

U.S. PATENT DOCUMENTS

1,847,495 A 3/1932 Priest  
 1,959,601 A 5/1934 Schulse  
 2,036,706 A 4/1936 Law  
 D113,432 S 2/1939 Newman  
 2,318,460 A 5/1943 Samuel  
 D153,130 S 3/1949 Fischer  
 2,490,185 A 12/1949 Work  
 D197,763 S 3/1964 Aymar  
 3,370,415 A 2/1968 McIlvaine  
 3,728,035 A 4/1973 Reitknecht  
 3,734,106 A 5/1973 Zimmerman  
 D230,654 S 3/1974 Fishbein  
 D258,237 S 2/1981 Anspach  
 4,277,194 A 7/1981 Smith  
 D264,359 S 5/1982 Grubb et al.  
 4,344,184 A 8/1982 Edwards  
 D276,935 S 12/1984 Fattaleh  
 4,761,138 A 8/1988 Niesyn  
 D301,400 S 6/1989 Berendsen et al.  
 4,949,875 A 8/1990 Kuo  
 D310,368 S 9/1990 Derhaag et al.  
 D315,831 S 4/1991 Kawano  
 D319,170 S 8/1991 Franke  
 D320,275 S 9/1991 Wada et al.  
 D321,285 S 11/1991 Hirabayashi  
 5,062,728 A 11/1991 Kuo  
 D323,326 S 1/1992 Takawo  
 D323,745 S 2/1992 Stuart  
 D336,567 S 6/1993 Glover et al.  
 5,303,109 A 4/1994 Takao  
 5,349,480 A 9/1994 Takao  
 D353,490 S 12/1994 Hartwein  
 D354,168 S 1/1995 Hartwein  
 5,379,271 A 1/1995 Moedt  
 D357,016 S 4/1995 Li et al.  
 D359,607 S 6/1995 Yun  
 D379,472 S 5/1997 Smith  
 D384,207 S 9/1997 Underwood  
 D385,702 S 11/1997 Okada  
 D387,805 S 12/1997 Hsu  
 D388,958 S 1/1998 Hartwein  
 D393,016 S 3/1998 Young  
 D396,957 S 8/1998 Allende  
 5,815,872 A 10/1998 Meginniss, III et al.  
 D401,270 S 11/1998 Cockram  
 D403,864 S 1/1999 Holland et al.  
 D411,483 S 6/1999 Greene, Jr.  
 D411,769 S 7/1999 Wright  
 D413,729 S 9/1999 Jansheski, Jr.  
 D417,082 S 11/1999 Classen et al.  
 D419,305 S 1/2000 Porter et al.  
 6,047,429 A 4/2000 Wu  
 D423,784 S 5/2000 Joulin

D428,704 S 8/2000 Wildman  
 D433,232 S 11/2000 Stützer et al.  
 D433,813 S 11/2000 Stützer et al.  
 D433,814 S 11/2000 Blaustein et al.  
 D436,254 S 1/2001 Kling et al.  
 D440,766 S 4/2001 Hartwein et al.  
 6,220,772 B1 4/2001 Taylor  
 D445,831 S 7/2001 Lindner  
 D446,022 S 8/2001 Vonarburg et al.  
 D451,244 S 11/2001 Chen et al.  
 6,332,233 B1 12/2001 Proulx  
 D453,996 S 3/2002 Kling et al.  
 D455,010 S 4/2002 Kling  
 D455,556 S 4/2002 Kling  
 D456,608 S 5/2002 Lim  
 D456,996 S 5/2002 McCurrach  
 D458,028 S 6/2002 McCurrach  
 D458,029 S 6/2002 Li  
 6,422,974 B1 7/2002 Schimmel  
 D462,174 S 9/2002 Schaber  
 6,461,164 B1 10/2002 Ramelli  
 D465,279 S 11/2002 Etter et al.  
 D468,422 S 1/2003 McCurrach  
 D476,156 S 6/2003 Ferber et al.  
 D477,716 S 7/2003 Roberson  
 D478,212 S 8/2003 Winkler  
 D478,214 S 8/2003 Winkler et al.  
 D478,423 S 8/2003 Mulder et al.  
 D483,182 S 12/2003 Blaustein et al.  
 D487,911 S 3/2004 Cheney  
 D492,717 S 7/2004 Cohen  
 D492,996 S 7/2004 Rehkemper et al.  
 6,766,549 B2 7/2004 Klupt  
 D497,481 S 10/2004 Porter et al.  
 D499,554 S 12/2004 Ramelli  
 D500,136 S 12/2004 Rehkemper et al.  
 D500,209 S 12/2004 Kellogg  
 D500,599 S 1/2005 Callaghan  
 D501,605 S 2/2005 Brown, Jr. et al.  
 D503,852 S 4/2005 Hensel  
 D504,911 S 5/2005 Ng  
 D508,776 S 8/2005 Kling et al.  
 D509,362 S 9/2005 Maeda  
 7,007,331 B2 3/2006 Davics et al.  
 D521,681 S 5/2006 Xu  
 D527,187 S 8/2006 Ramelli  
 D527,527 S 9/2006 Ramelli  
 D528,176 S 9/2006 Milliken  
 D531,240 S 10/2006 Geisendorfer  
 D531,811 S 11/2006 Cochran  
 D532,974 S 12/2006 Zhuan  
 D533,720 S 12/2006 Vu  
 D534,728 S 1/2007 Vu  
 D541,049 S 4/2007 Huang  
 D549,209 S 8/2007 Bauman et al.  
 D556,453 S 12/2007 Sprosta et al.  
 D556,455 S 12/2007 Williams  
 D562,488 S 2/2008 Weiser  
 D569,623 S 5/2008 Beedham  
 7,389,781 B2 6/2008 Kemp et al.  
 D572,007 S 7/2008 Lamason et al.  
 D577,199 S 9/2008 Zhuan  
 D579,664 S 11/2008 Fisher et al.  
 D579,666 S 11/2008 Jamson  
 D580,173 S 11/2008 Beedham  
 D583,052 S 12/2008 Kagawa  
 D586,125 S 2/2009 Winkler et al.  
 D588,364 S 3/2009 Nanda  
 D589,255 S 3/2009 Taylor et al.  
 7,527,446 B2 5/2009 Johnson Papa et al.  
 D595,366 S 6/2009 Katzke  
 D595,771 S 7/2009 Oas  
 D598,653 S 8/2009 Crossman  
 D598,806 S 8/2009 Rosenkötter  
 D599,555 S 9/2009 Oliphant  
 D612,611 S 3/2010 Brown, Jr. et al.  
 D621,455 S 8/2010 Chernick et al.  
 D627,971 S 11/2010 Battaglia  
 D634,547 S 3/2011 Botelho



(56)

References Cited

U.S. PATENT DOCUMENTS

D636,604 S 4/2011 Zhuan  
 D637,817 S 5/2011 Smith  
 D645,922 S 9/2011 Wu  
 D649,787 S 12/2011 Ivarsson  
 D657,954 S 4/2012 Gebski  
 D658,883 S 5/2012 Winkler  
 D669,274 S 10/2012 Meurrens  
 D669,978 S 10/2012 Gebski et al.  
 8,317,424 B2 11/2012 Chenvainu et al.  
 D673,225 S 12/2012 Heidrich  
 8,434,190 B2 5/2013 Stief et al.  
 8,444,416 B2 5/2013 Chenvainu et al.  
 D688,464 S 8/2013 Hara  
 D688,877 S 9/2013 Li  
 D689,125 S 9/2013 Lochen  
 D689,698 S 9/2013 Dickie et al.  
 D690,369 S 9/2013 Wu  
 D693,581 S 11/2013 Ballmaier et al.  
 D694,524 S 12/2013 Erskine-Smith  
 D696,024 S 12/2013 Shigeno et al.  
 D696,517 S 12/2013 Gebski  
 D701,388 S 3/2014 Chuazhou  
 D702,946 S 4/2014 Shigeno et al.  
 D704,337 S 5/2014 Dunn  
 D706,033 S 6/2014 Dickie et al.  
 D707,764 S 6/2014 Deveaux  
 D708,440 S 7/2014 Owen et al.  
 D711,988 S 8/2014 Gubany  
 D712,988 S 9/2014 Sagedahl  
 D713,391 S 9/2014 Ibuki et al.  
 D718,056 S 11/2014 Masee et al.  
 D718,057 S 11/2014 Masee et al.  
 D719,737 S 12/2014 Adriaenssen et al.  
 D724,679 S 3/2015 Martyn  
 D727,445 S 4/2015 Viramontez  
 9,039,642 B2 5/2015 Lee  
 D735,280 S 7/2015 O'Malley  
 D736,870 S 8/2015 Nagi  
 D738,968 S 9/2015 Oz  
 D741,423 S 10/2015 Holland  
 9,154,025 B2 10/2015 Schaefer et al.  
 D742,649 S 11/2015 Thompson  
 D749,851 S 2/2016 Watkins  
 D749,852 S 2/2016 Since  
 9,265,334 B1 2/2016 Fung-A-Wing  
 D751,821 S 3/2016 Since  
 D752,868 S 4/2016 McGarry et al.  
 D757,439 S 5/2016 Shigeno et al.  
 D758,079 S 6/2016 Since  
 D758,080 S 6/2016 Since  
 D758,736 S 6/2016 Shigeno et al.  
 D759,382 S 6/2016 Watkins  
 D761,567 S 7/2016 Uchida  
 D766,580 S 9/2016 Kollar et al.  
 D766,581 S 9/2016 Bloch et al.  
 D767,895 S 10/2016 Stebila et al.  
 D768,386 S 10/2016 Demarest et al.  
 D773,192 S 12/2016 Nabavi  
 D773,822 S 12/2016 Sikora et al.  
 D774,144 S 12/2016 Fjelstad  
 D775,288 S 12/2016 Spiegler  
 D777,442 S 1/2017 White et al.  
 D780,456 S 3/2017 Shigeno et al.  
 D787,189 S 5/2017 Fretwell et al.  
 9,668,598 B2 6/2017 Wartersian et al.  
 D790,859 S 7/2017 McGarry et al.  
 D790,861 S 7/2017 Demarest et al.  
 D791,485 S 7/2017 McGarry et al.  
 9,700,129 B2 7/2017 Follows et al.  
 D795,419 S 8/2017 Kohler  
 9,743,749 B2 8/2017 Follows et al.  
 D798,060 S 9/2017 Shigeno et al.  
 D799,217 S 10/2017 Masee  
 D799,756 S 10/2017 Fox  
 D801,696 S 11/2017 McGarry et al.

9,814,302 B2 11/2017 Follows et al.  
 9,820,563 B2 11/2017 Follows et al.  
 D804,918 S 12/2017 Lipford  
 D806,228 S 12/2017 Yan  
 9,839,284 B2 12/2017 Follows et al.  
 D810,513 S 2/2018 Mccoy et al.  
 D814,195 S 4/2018 Sikora et al.  
 10,022,208 B2 \* 7/2018 Yoshida ..... A61C 17/222  
 D836,345 S \* 12/2018 Courtney ..... D4/101  
 D836,346 S \* 12/2018 Courtney ..... D4/101  
 D839,597 S \* 2/2019 Courtney ..... D4/101  
 D839,598 S \* 2/2019 Courtney ..... D4/101  
 D839,599 S \* 2/2019 Courtney ..... D4/101  
 2001/0034917 A1 11/2001 DuCey  
 2004/0187889 A1 9/2004 Kemp et al.  
 2006/0078844 A1 4/2006 Goldman et al.  
 2006/0133885 A1 6/2006 Kaminski  
 2009/0007357 A1 1/2009 Meadows et al.  
 2012/0272468 A1 11/2012 Weisman et al.  
 2013/0007969 A1 1/2013 Driesen et al.  
 2013/0091645 A1 4/2013 Suwanbutr  
 2014/0246049 A1 9/2014 Ikkink et al.  
 2014/0259474 A1 9/2014 Sokol et al.  
 2015/0150664 A1 6/2015 Crossman et al.  
 2015/0230898 A1 8/2015 Miller  
 2015/0310763 A1 10/2015 Miller et al.  
 2016/0015163 A1 1/2016 Newman et al.  
 2016/0157596 A1 6/2016 Fifield  
 2016/0331113 A1 11/2016 Follows  
 2016/0331114 A1 11/2016 Follows et al.  
 2016/0331115 A1 11/2016 Follows et al.  
 2016/0331116 A1 11/2016 Follows et al.  
 2016/0331117 A1 11/2016 Follows  
 2016/0331497 A1 11/2016 Follows  
 2016/0331498 A1 11/2016 Follows  
 2017/0119510 A1 5/2017 Tomori et al.  
 2018/0021116 A1 1/2018 Störkel et al.  
 2018/0055212 A1 \* 3/2018 Follows ..... A61C 17/02  
 2018/0055616 A1 \* 3/2018 Zheng ..... A46B 9/04  
 2018/0084898 A1 \* 3/2018 Vincent ..... A46B 11/0006  
 2018/0085207 A1 \* 3/2018 Tweedie ..... A61C 17/36  
 2018/0110321 A1 \* 4/2018 Harris ..... A46B 15/0036  
 2018/0110322 A1 \* 4/2018 Marsh ..... A46B 15/0036  
 2018/0110601 A1 \* 4/2018 Mighall ..... A46B 13/04  
 2018/0116390 A1 \* 5/2018 Tweedie ..... A46B 13/04  
 2018/0116774 A1 \* 5/2018 Coleman ..... A46B 11/002  
 2018/0125221 A1 \* 5/2018 Wronski ..... A46B 11/0055  
 2018/0125621 A1 \* 5/2018 Tweedie ..... A61C 17/02  
 2018/0125624 A1 \* 5/2018 Tweedie ..... A61C 17/221  
 2018/0168332 A1 \* 6/2018 Wagner ..... F21V 11/00  
 2018/0221124 A1 \* 8/2018 Carlyle ..... A46B 11/00  
 2018/0289456 A1 \* 10/2018 Follows ..... A61C 17/0202  
 2018/0289458 A1 \* 10/2018 Follows ..... A46B 9/04  
 2018/0333240 A1 \* 11/2018 Taniguchi ..... A61C 17/3472

FOREIGN PATENT DOCUMENTS

GB 2538308 11/2016  
 GB 2538309 11/2016  
 GB 2554401 A \* 4/2018 ..... A46B 11/0006  
 GB 2555386 A \* 5/2018 ..... A46B 11/001  
 GB 2555417 A \* 5/2018 ..... A46B 13/04  
 GB 2555418 A \* 5/2018 ..... A46B 15/0036  
 GB 2555449 A \* 5/2018 ..... A46B 13/04  
 GB 2555449 A8 \* 5/2018 ..... A46B 13/04  
 JP 1595568 1/2018  
 JP 1595649 1/2018  
 WO 2005/076818 8/2005  
 WO WO-2018142099 A1 \* 8/2018 ..... A46B 11/00

OTHER PUBLICATIONS

Courtney et al., Ex Parte Quayle Action dated Oct. 18, 2018, directed to U.S. Appl. No. 29/602,369; 6 pages.  
 Courtney et al., U.S. Office Action dated Apr. 19, 2018, directed to U.S. Appl. No. 29/602,351; 14 pages.  
 Courtney et al., U.S. Office Action dated Apr. 19, 2018, directed to U.S. Appl. No. 29/602,366; 14 pages.





(56)

**References Cited**

OTHER PUBLICATIONS

Courtney et al., U.S. Office Action dated May 25, 2018, directed to U.S. Appl. No. 29/602,422; 15 pages.

Courtney et al., U.S. Office Action dated Oct. 18, 2018, directed to U.S. Appl. No. 29/602,375; 9 pages.

Courtney et al., U.S. Office Action dated Oct. 18, 2018, directed to U.S. Appl. No. 29/602,377; 9 pages.

Courtney et al., U.S. Office Action dated Oct. 18, 2018, directed to U.S. Appl. No. 29/602,379; 9 pages.

Courtney et al., U.S. Office Action dated Oct. 18, 2018, directed to U.S. Appl. No. 29/602,445; 9 pages.

Courtney et al., U.S. Office Action dated Sep. 7, 2018, directed to U.S. Appl. No. 29/602,368; 9 pages.

Love, J. (Nov. 27, 2016) "Dyson is designing an electric toothbrush," located at <<http://www.electriceeth.co.uk/dyson-is-designing-an-electric-toothbrush/>> (18 pages).

Pettit, H. (Nov. 24, 2016). "Dyson's next device could be a smart Toothbrush that flosses your teeth with high-powered jets of water," located at <<http://www.dailymail.co.uk/sciencetech/article-968756/Dyson-s-invention-smart-TOOTBRUSH-flosses-teeth-water-clean-them.html>> (5 pages).

\* cited by examiner



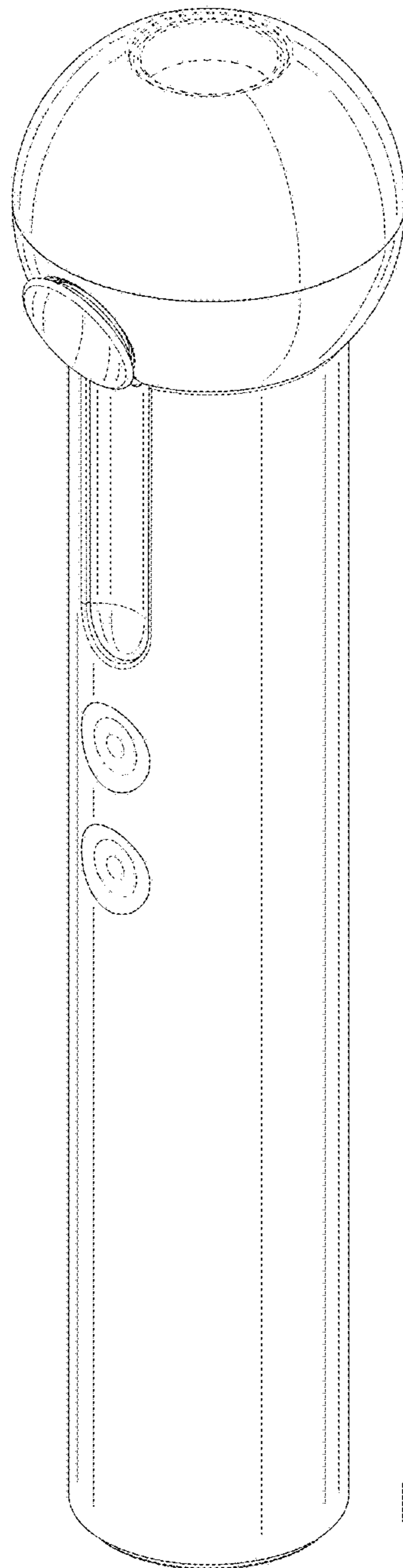


FIG. 1

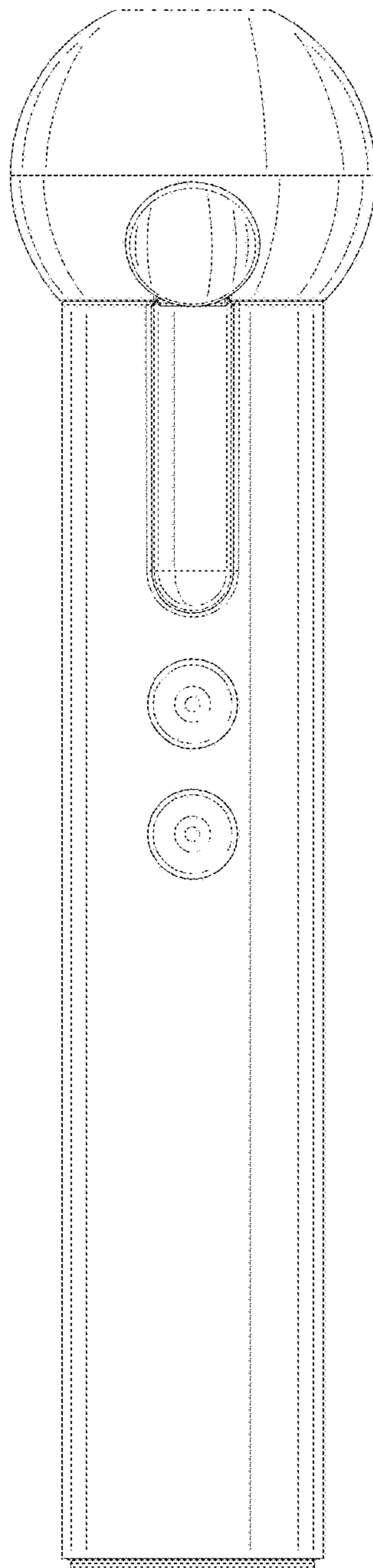


FIG. 2

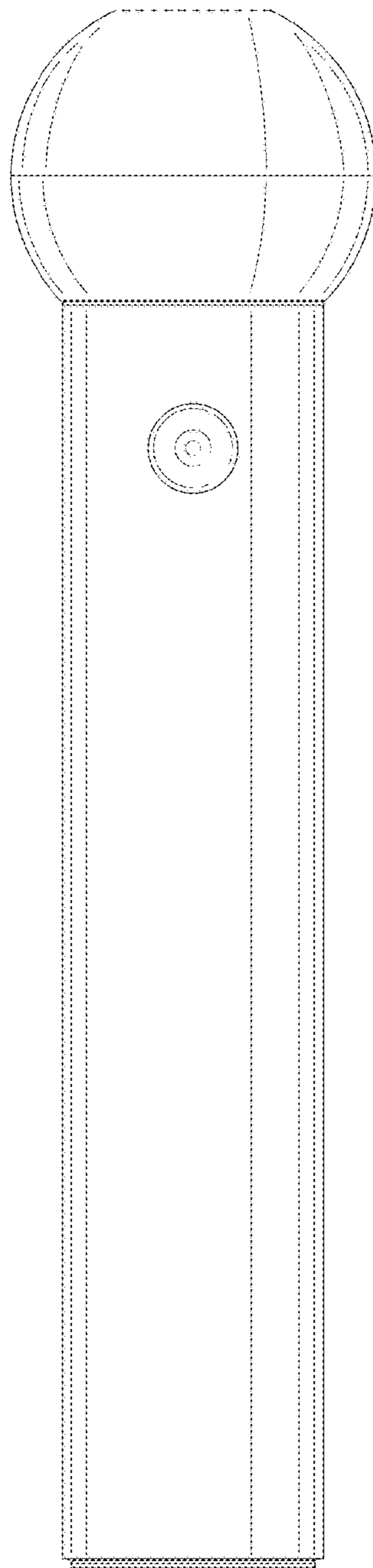


FIG. 3



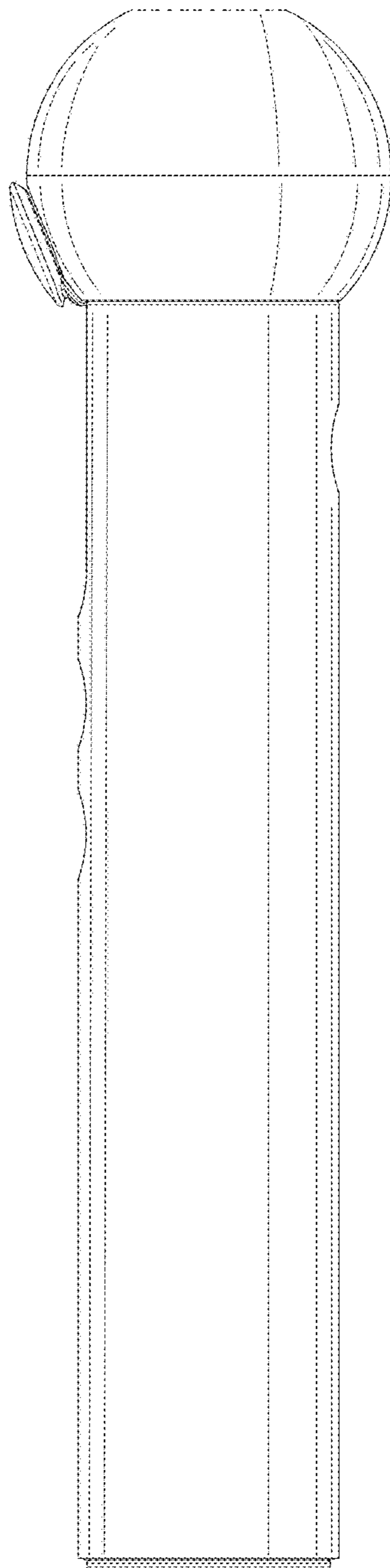


FIG. 4

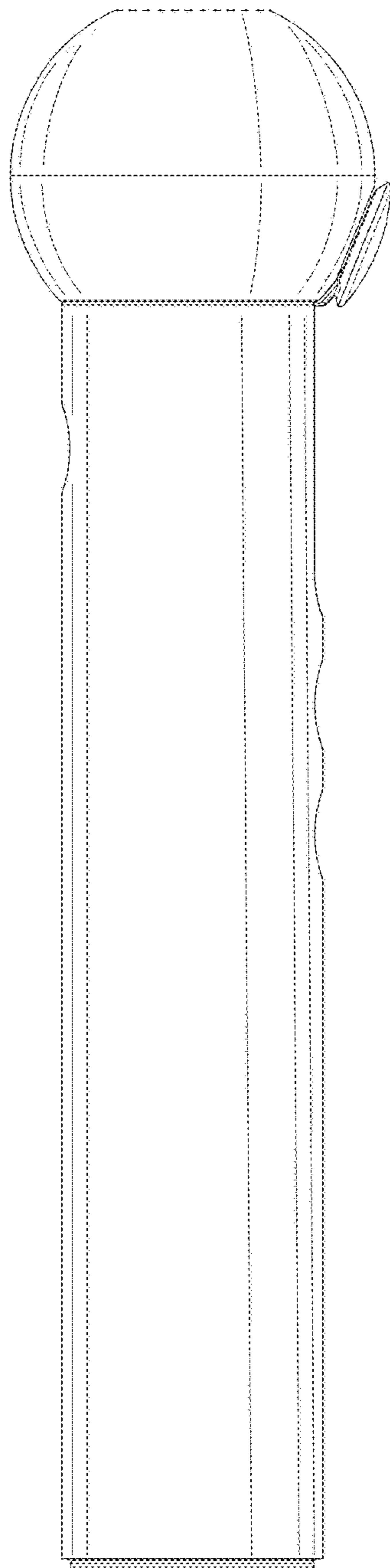


FIG. 5

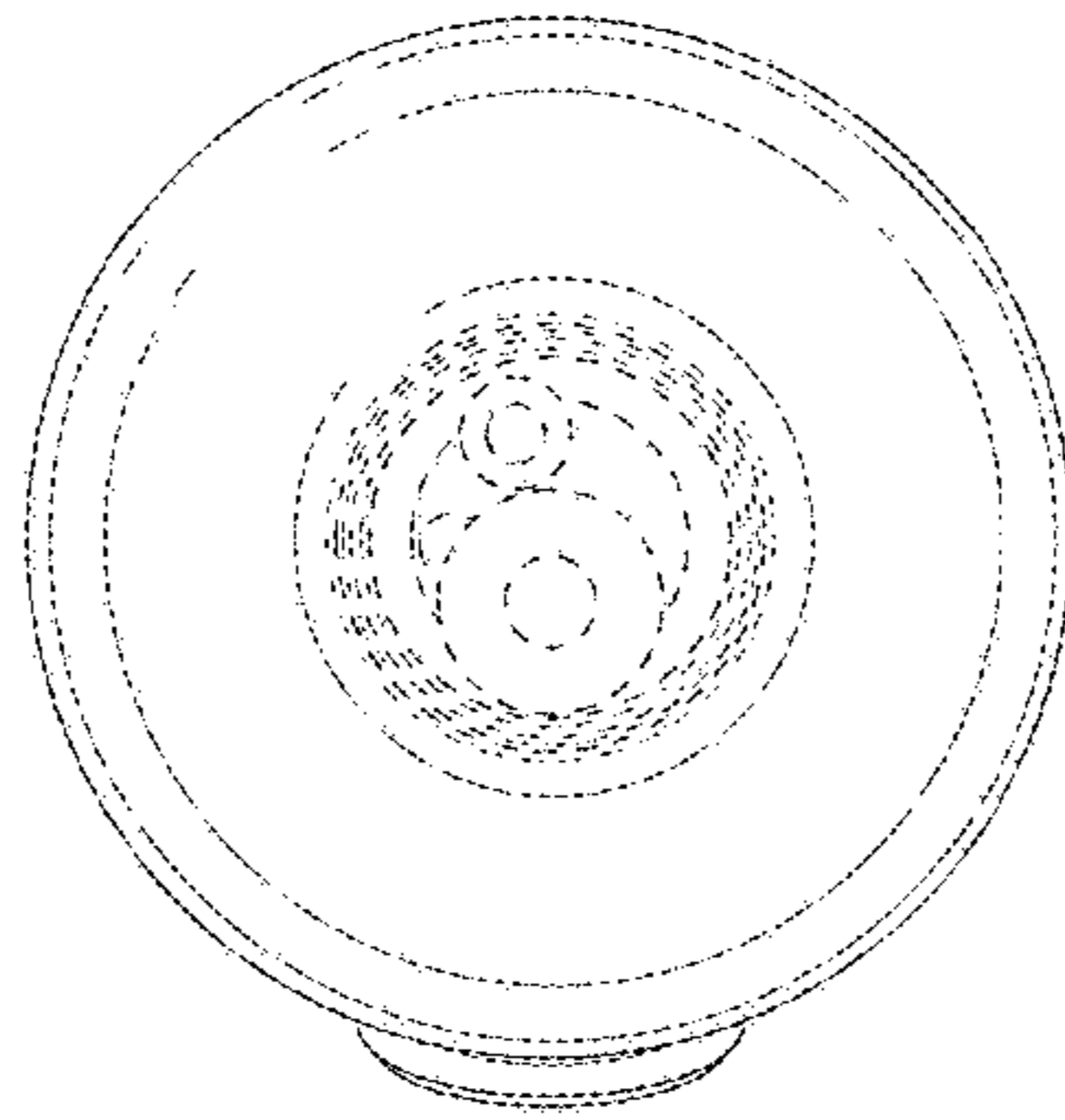


FIG. 6



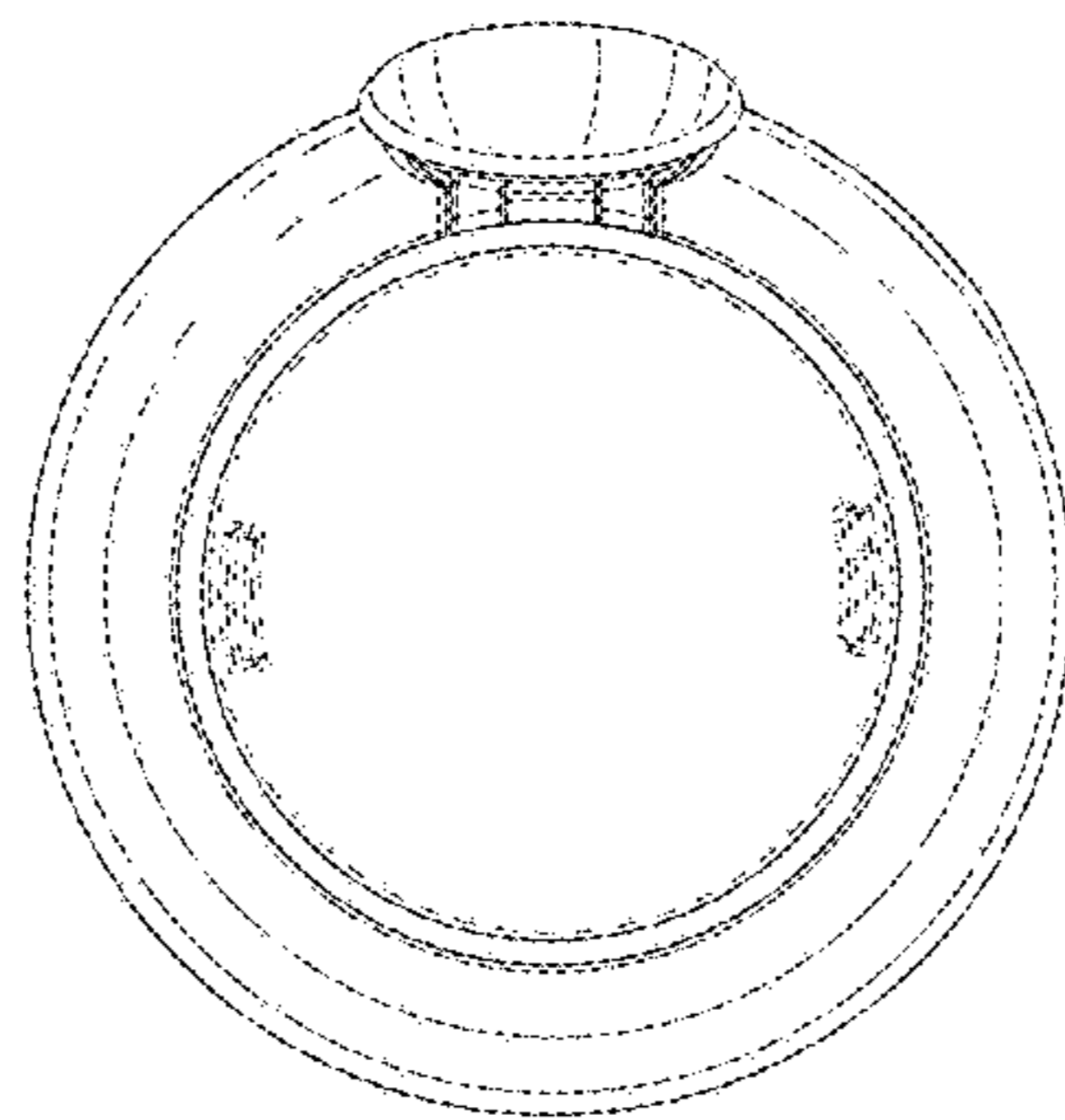


FIG. 7