



US00D863773S

(12) **United States Design Patent** (10) **Patent No.:** **US D863,773 S**
Hu (45) **Date of Patent:** **** Oct. 22, 2019**

(54) **ELECTRIC TOOTHBRUSH HEAD**
(71) Applicant: **Hansheng Hu**, Gaozhou (CN)
(72) Inventor: **Hansheng Hu**, Gaozhou (CN)
(73) Assignee: **Shenzhen Ya Bei Kang Technology Co., Ltd.**, Shenzhen (CN)

9,723,912 B2 * 8/2017 Chun A46B 7/04
D824,174 S * 7/2018 Altmann D4/101
D842,612 S * 3/2019 Flynn D4/104
D846,881 S * 4/2019 Altmann D4/101
D854,834 S * 7/2019 Altmann D4/101
2017/0156835 A1 * 6/2017 Schaefer A61C 17/222
2019/0125065 A1 * 5/2019 Altmann A46B 9/025

(**) Term: **15 Years**
(21) Appl. No.: **29/667,037**
(22) Filed: **Oct. 18, 2018**

FOREIGN PATENT DOCUMENTS

CN 302898215 * 8/2014
CN 304960483 * 12/2018
CN 304989202 * 1/2019
CN 305133965 * 4/2019
EM 005502655-0003 * 7/2018
EM 005651247-0003 * 10/2018
EM 006583357-0001 * 6/2019
EM 006583357-0002 * 6/2019
EM 006620076-0004 * 7/2019
JP D1622523 * 1/2019

(30) **Foreign Application Priority Data**
Jul. 10, 2018 (JP) 2018-015206
(51) **LOC (12) Cl.** **04-02**
(52) **U.S. Cl.**
USPC **D4/101**
(58) **Field of Classification Search**
USPC D4/100, 101, 102, 107, 108, 109, 110,
D4/111, 114, 116, 121, 125, 127, 128,
D4/130, 132, 133, 134, 138, 199
See application file for complete search history.

* cited by examiner

Primary Examiner — Karen E Eldridge Powers

(57) **CLAIM**

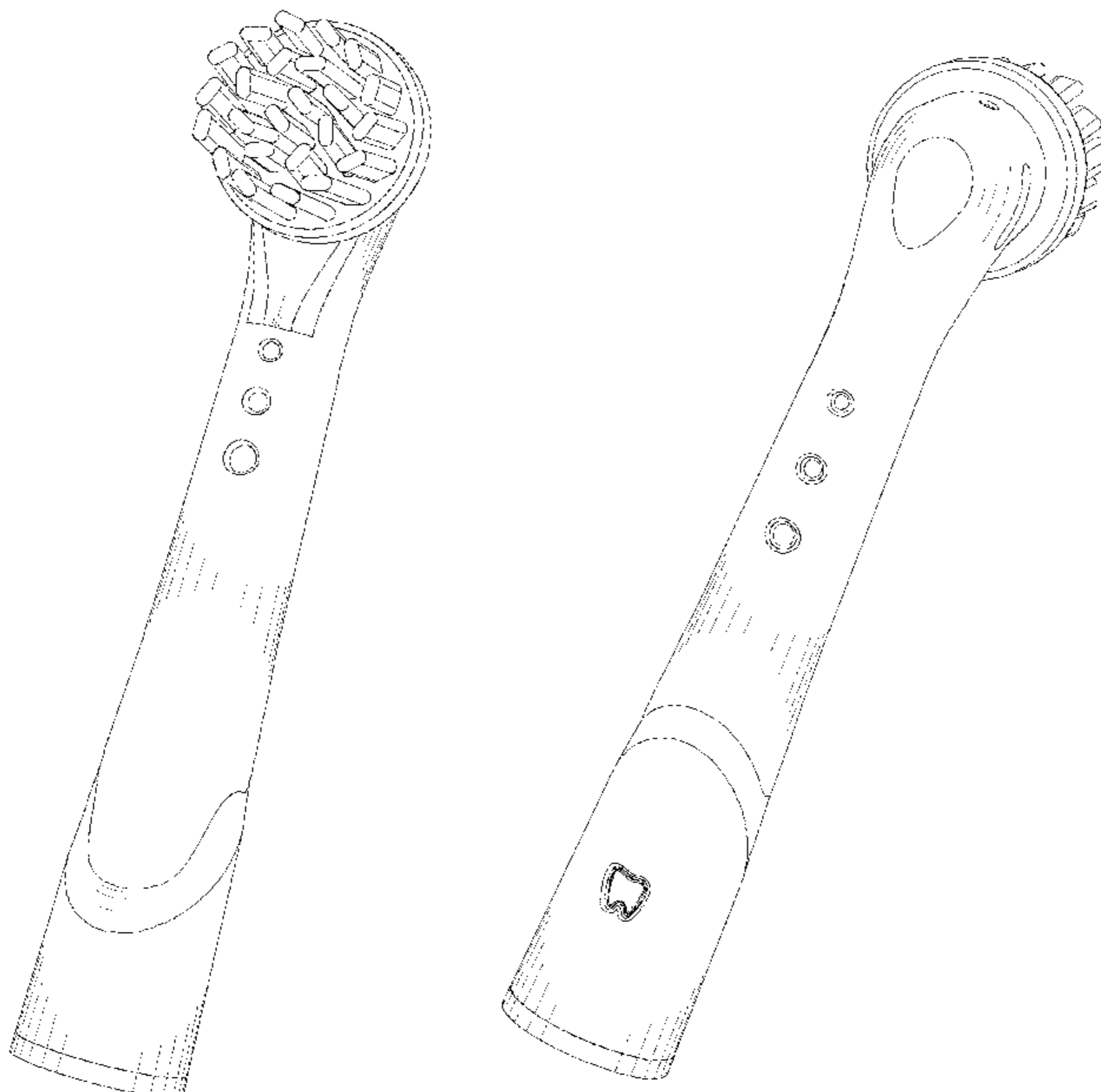
The ornamental design for an electric toothbrush head, as shown and described.

DESCRIPTION

FIG. 1 is a front perspective view of an electric toothbrush head showing my new design;
FIG. 2 is a rear perspective view thereof;
FIG. 3 is a front elevational view thereof;
FIG. 4 is a rear elevational view thereof;
FIG. 5 is a left side elevational view thereof;
FIG. 6 is a right side elevational view thereof;
FIG. 7 is a top plan view thereof; and,
FIG. 8 is a bottom plan view thereof.
The broken lines depict environment that forms no part of the claimed design.

(56) **References Cited**
U.S. PATENT DOCUMENTS
7,788,756 B2 * 9/2010 Kraemer A46B 9/025
15/22.1
8,166,601 B2 * 5/2012 Brown, Jr. A46B 9/025
15/201
8,387,196 B2 * 3/2013 Jimenez A46B 9/06
15/110
8,621,699 B2 * 1/2014 Fischer A46D 1/0284
15/28
D734,614 S * 7/2015 Driesen D4/101
D775,469 S * 1/2017 Sikora D4/102

1 Claim, 7 Drawing Sheets



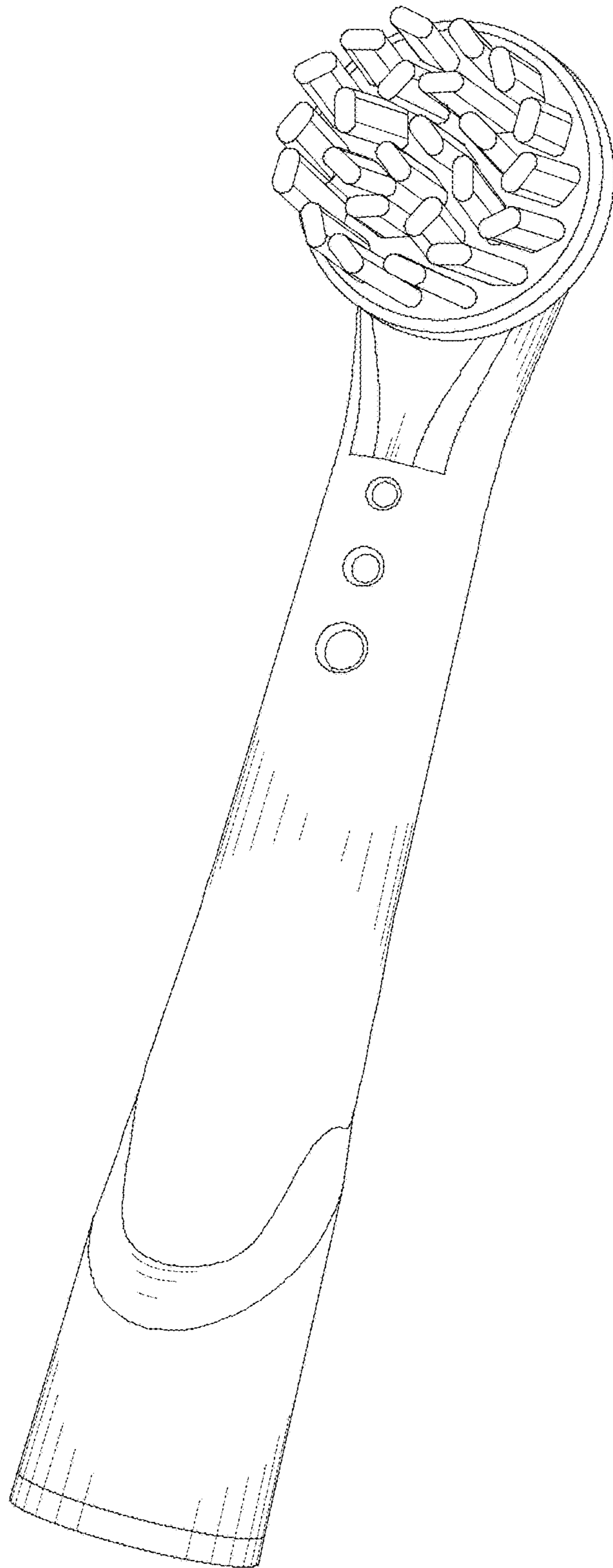


FIG.1

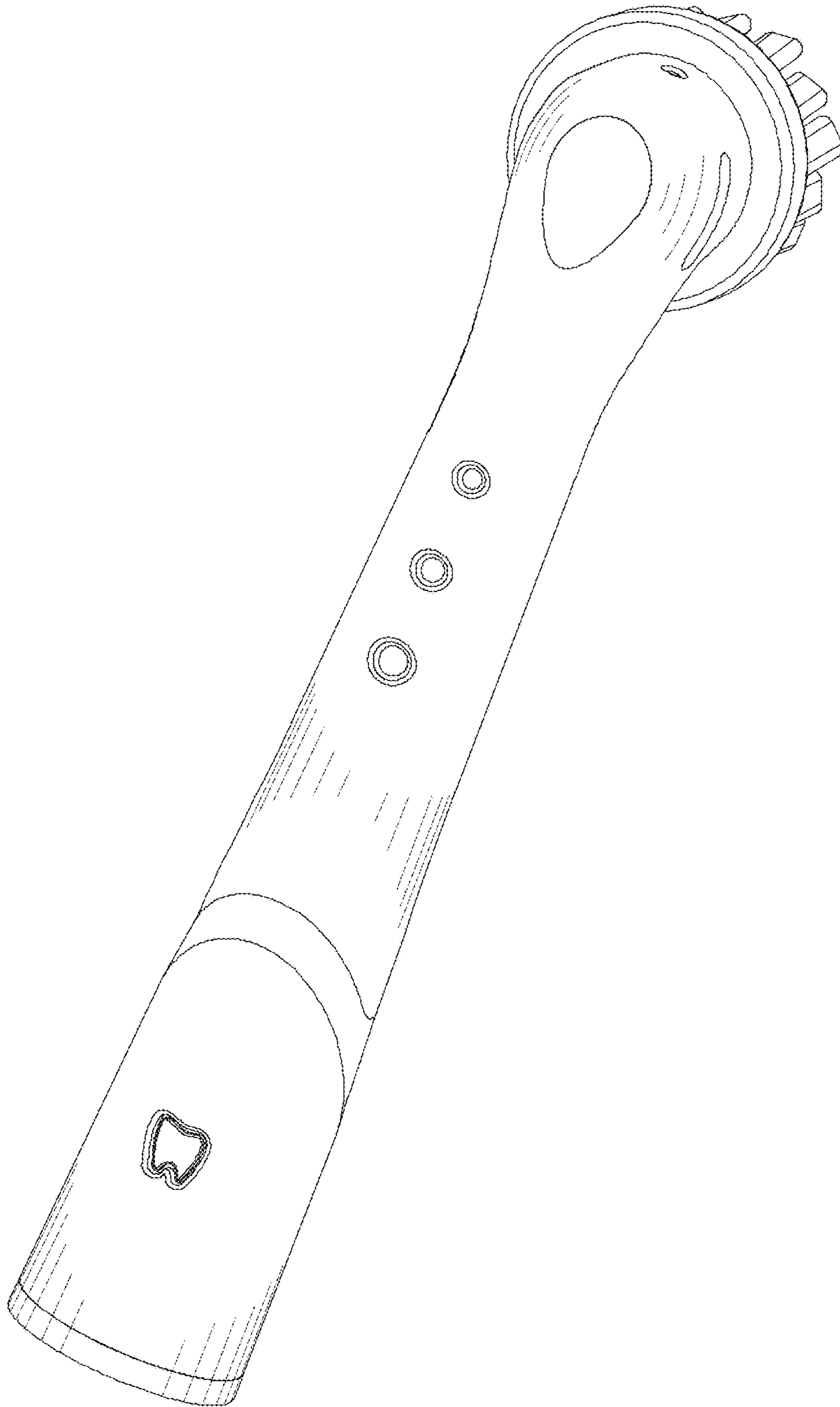


FIG.2

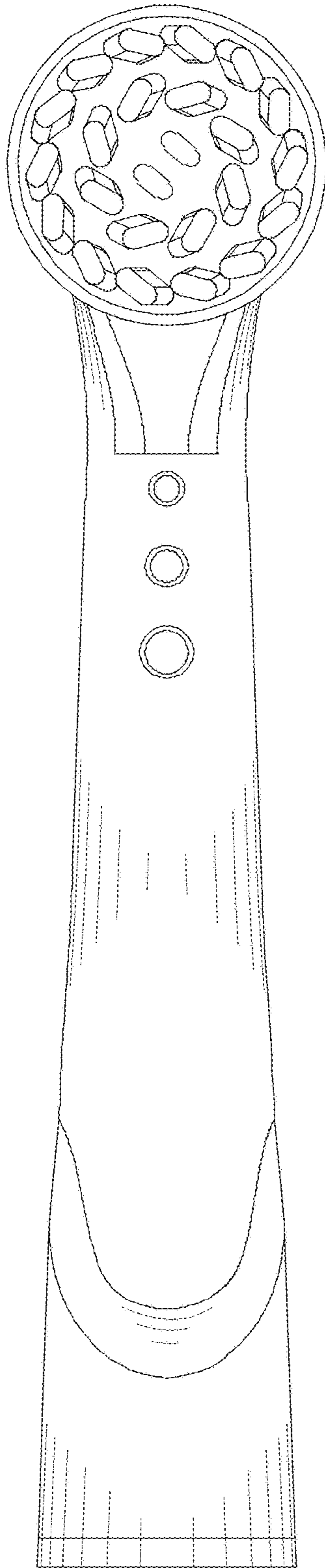


FIG.3

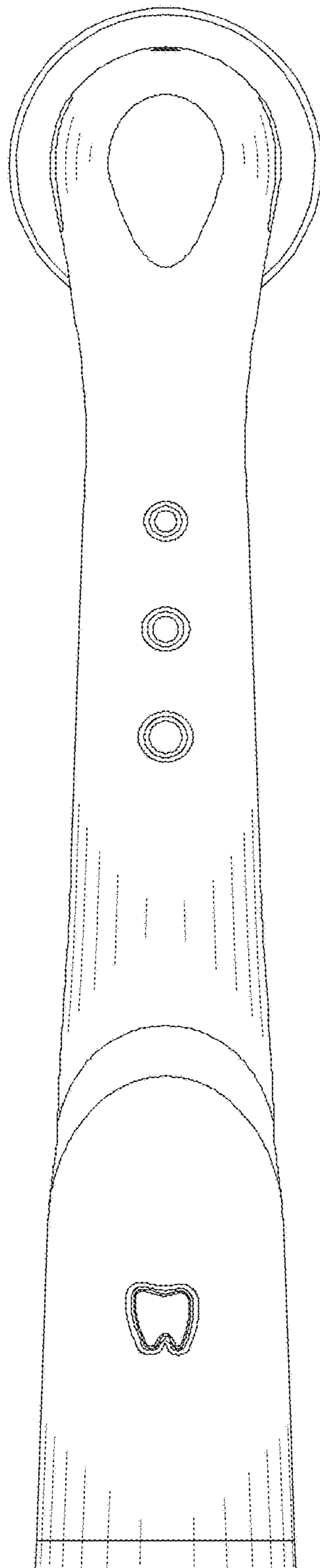


FIG.4

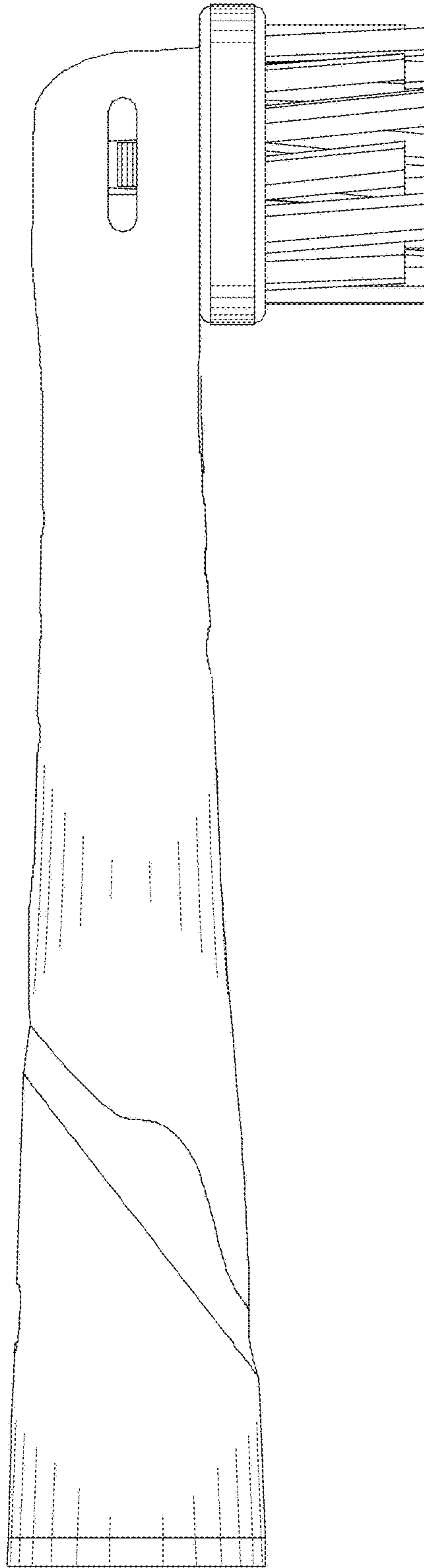


FIG.5

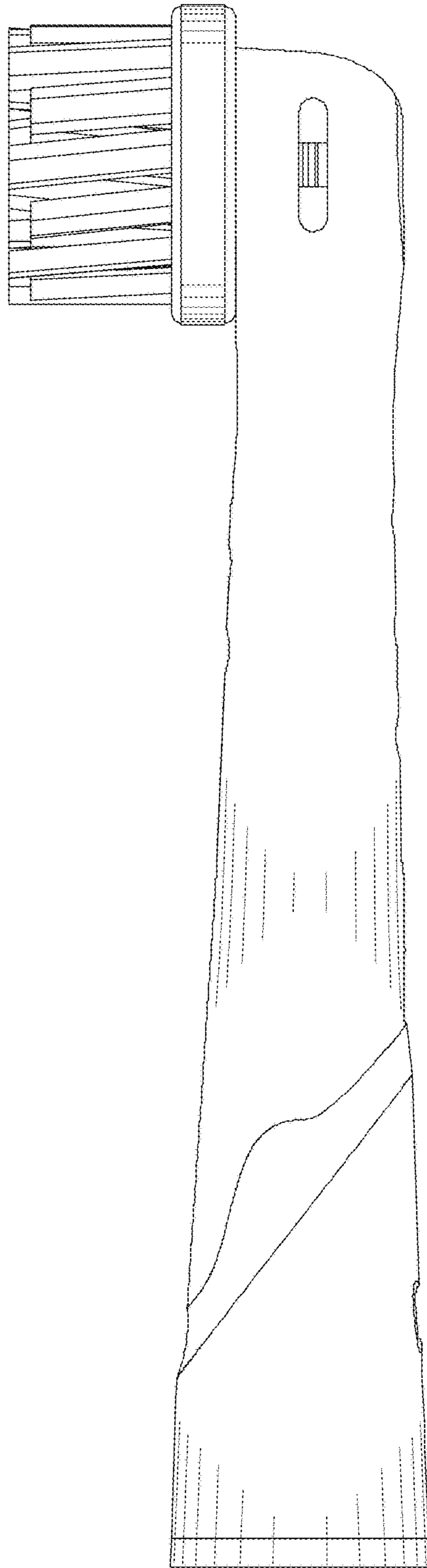


FIG.6

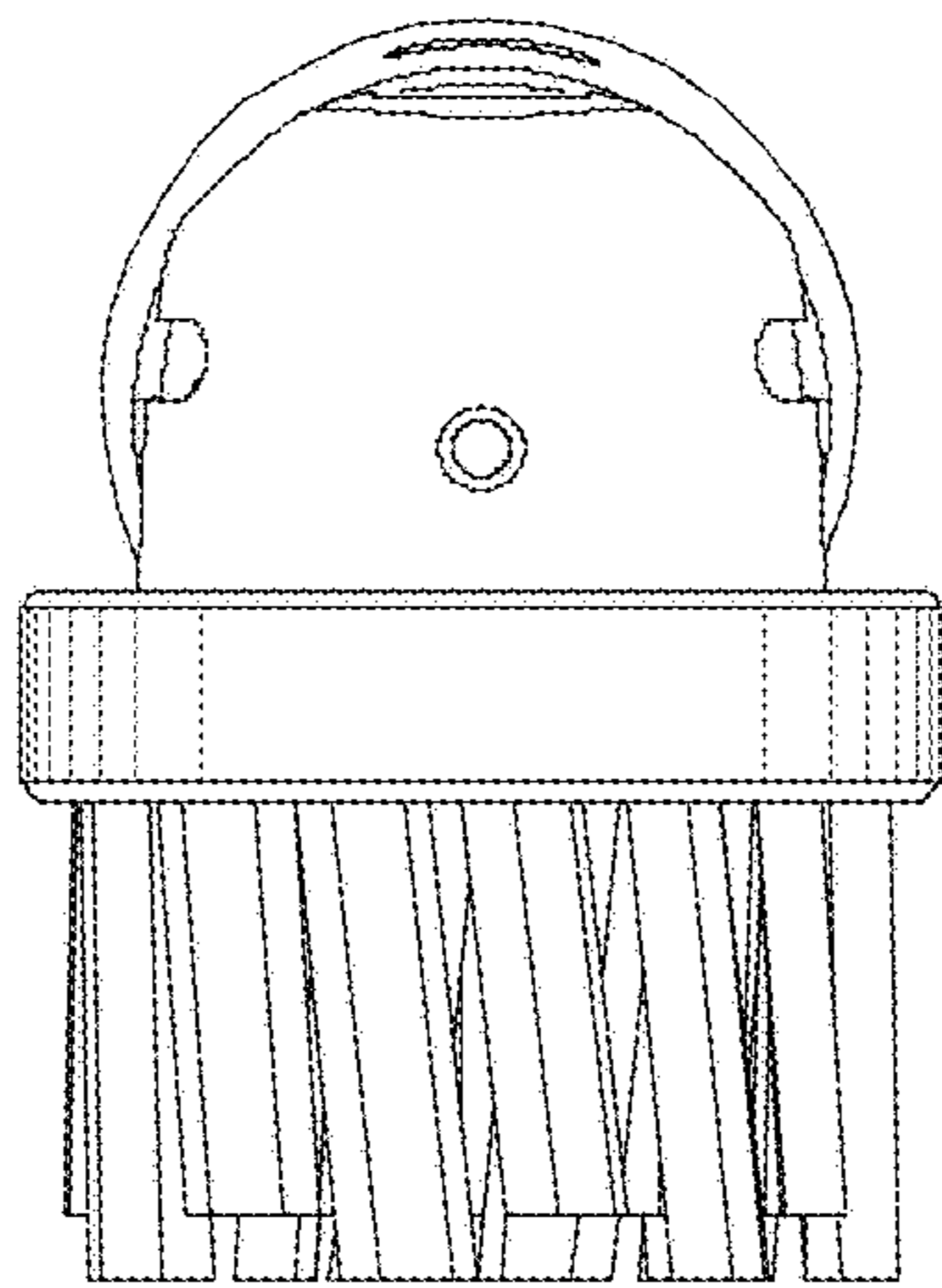


FIG.7

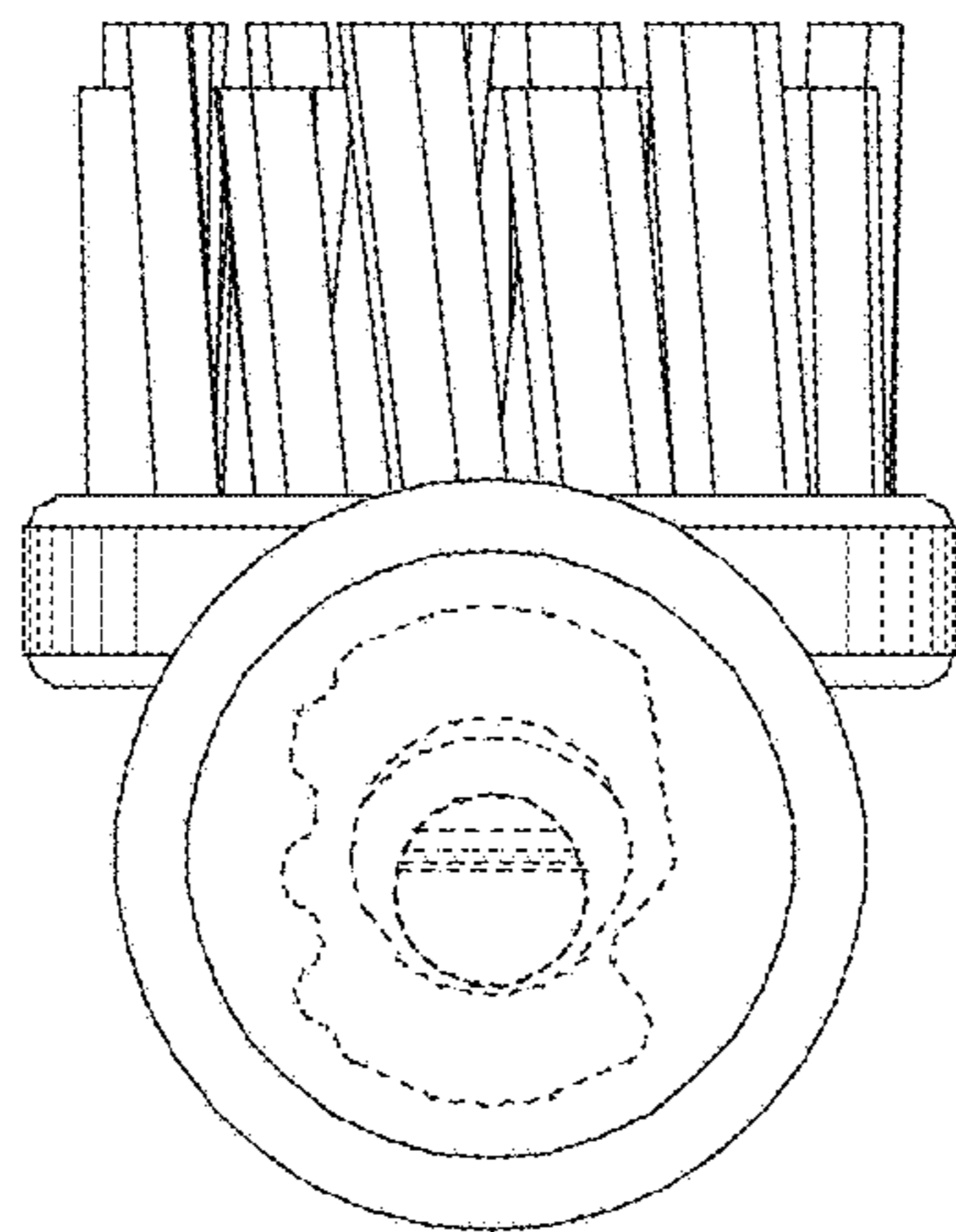


FIG.8