



US00D863772S

(12) **United States Design Patent** (10) **Patent No.:** **US D863,772 S**
Hu (45) **Date of Patent:** **** Oct. 22, 2019**

(54) **ELECTRIC TOOTHBRUSH HEAD**

(71) Applicant: **Hansheng Hu**, Maoming (CN)

(72) Inventor: **Hansheng Hu**, Maoming (CN)

(73) Assignee: **Shenzhen Ya Bei Kang Technology Co., Ltd.**, Shenzhen (CN)

(**) Term: **15 Years**

(21) Appl. No.: **29/642,711**

(22) Filed: **Apr. 2, 2018**

(51) **LOC (12) Cl.** **04-02**

(52) **U.S. Cl.**
USPC **D4/101**

(58) **Field of Classification Search**
USPC D4/100, 101, 102, 107, 108, 109, 110,
D4/111, 114, 116, 121, 125, 127, 128,
D4/130, 132, 133, 134, 138, 199
See application file for complete search history.

(56) **References Cited**

U.S. PATENT DOCUMENTS

D387,206 S *	12/1997	Yamamoto	D4/104
D456,607 S *	5/2002	Carlucci	D4/101
6,735,804 B2 *	5/2004	Carlucci	A61C 17/22
				15/28
7,020,928 B2 *	4/2006	Hohlbein	A46B 5/0029
				15/167.1
7,788,756 B2 *	9/2010	Kraemer	A46B 9/025
				15/22.1
8,387,196 B2 *	3/2013	Jimenez	A46B 9/06
				15/110
8,621,699 B2 *	1/2014	Fischer	A46D 1/0284
				15/28

9,723,912 B2 *	8/2017	Chun	A46B 7/04
10,179,037 B2 *	1/2019	Dai	A61C 17/26
2010/0306941 A1 *	12/2010	Erskine-Smith	A46B 9/026
				15/167.1
2016/0346069 A1 *	12/2016	Dai	A61C 17/3436
2017/0156835 A1 *	6/2017	Schaefer	A61C 17/222
2019/0125065 A1 *	5/2019	Altmann	A46B 9/025

FOREIGN PATENT DOCUMENTS

CN	304396958	*	12/2017
CN	304989202	*	1/2019
CN	305133965	*	4/2019
EM	006583357-0001	*	6/2019
EM	006583357-0002	*	6/2019
EM	006620076-0004	*	7/2019
JP	D1622523	*	1/2019
JP	D1631200	*	5/2019
WO	WO-D087897-003	*	10/2017

* cited by examiner

Primary Examiner — Karen E Eldridge Powers

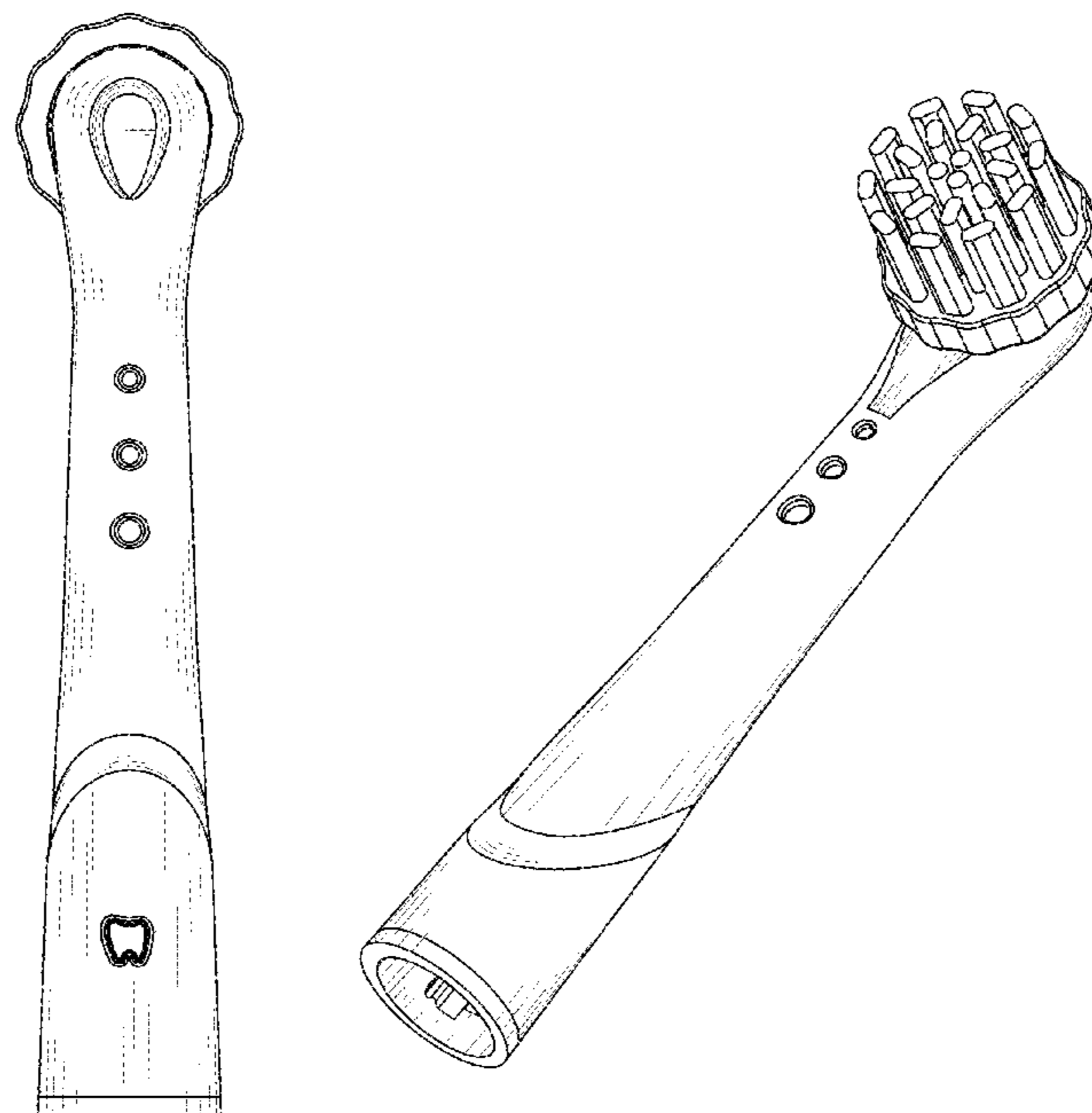
(57) **CLAIM**

The ornamental design for an electric toothbrush head, as shown and described.

DESCRIPTION

FIG. 1 is a front elevational view of an electric toothbrush head showing my new design;
FIG. 2 is a rear elevational view thereof;
FIG. 3 is a left side elevational view thereof;
FIG. 4 is a right side elevational view thereof;
FIG. 5 is a top plan view thereof;
FIG. 6 is a bottom plan view thereof; and,
FIG. 7 is a perspective view thereof.
The broken lines depict environment that forms no part of the claimed design.

1 Claim, 6 Drawing Sheets



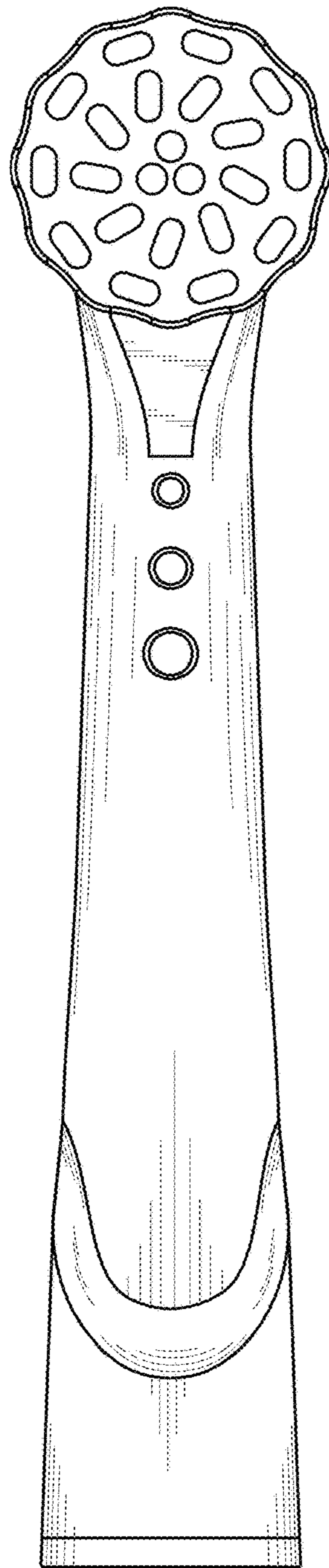


FIG. 1

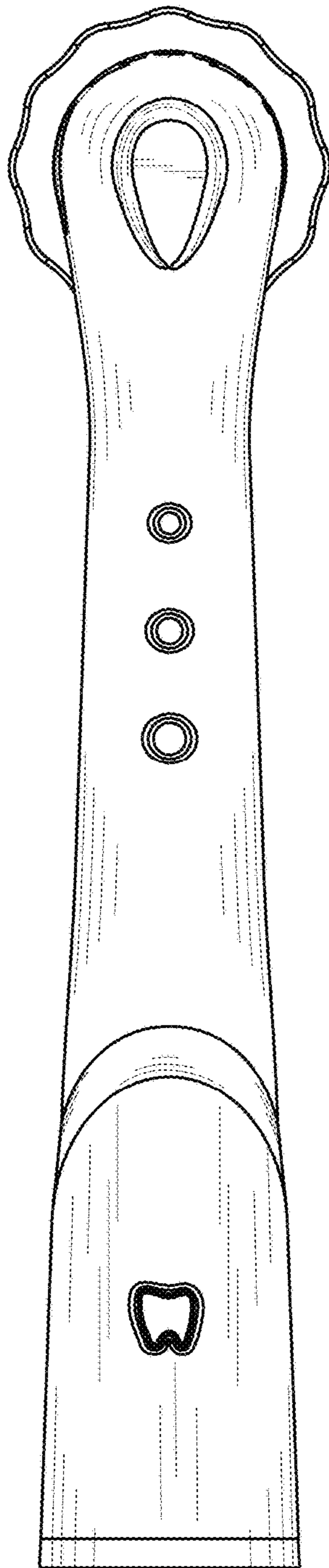


FIG.2

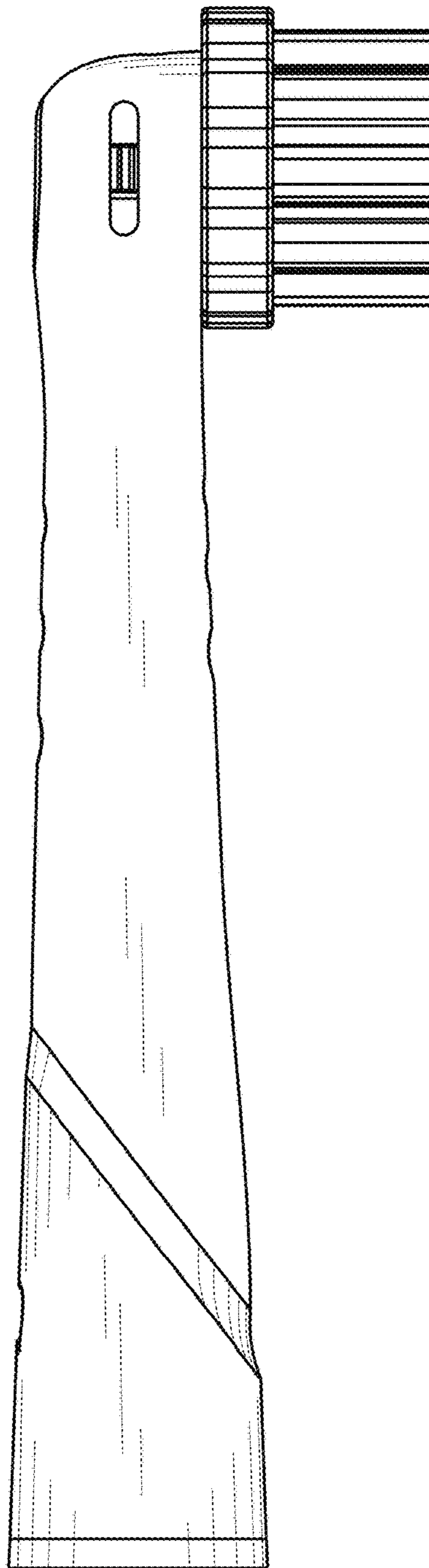


FIG.3

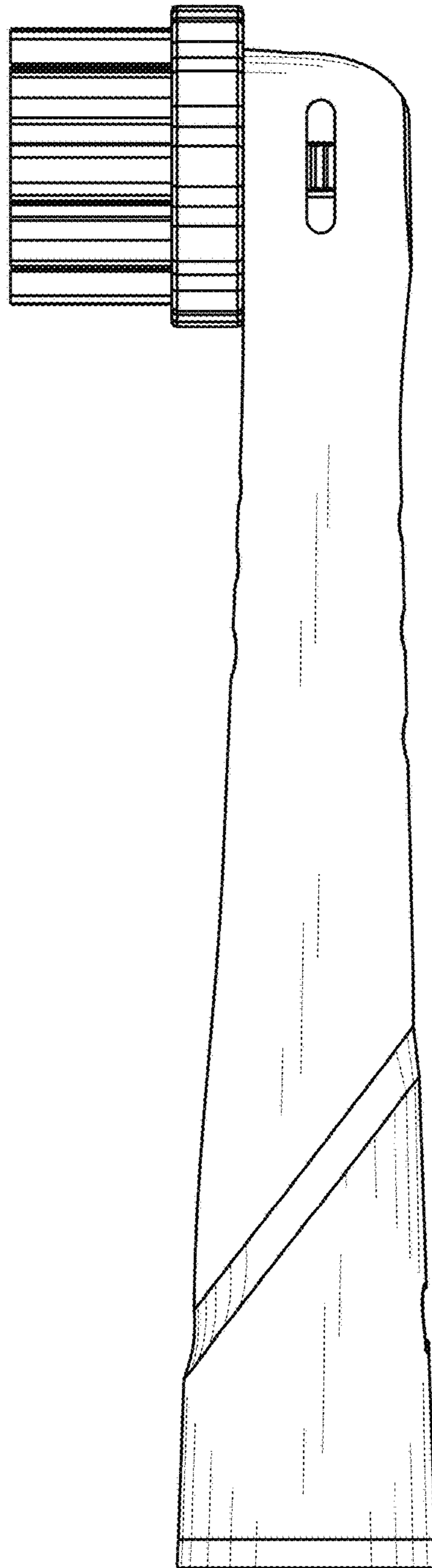


FIG.4

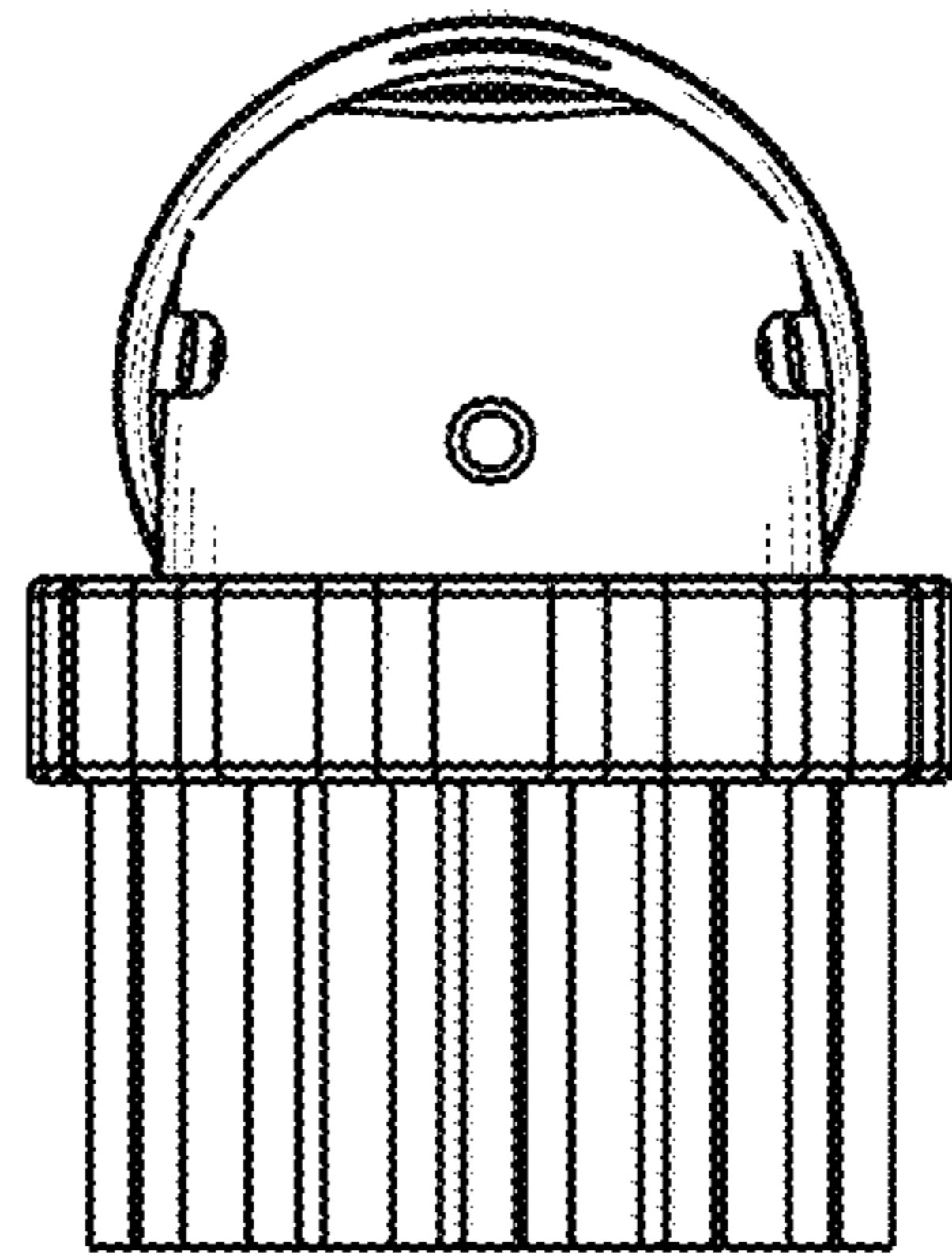


FIG. 5

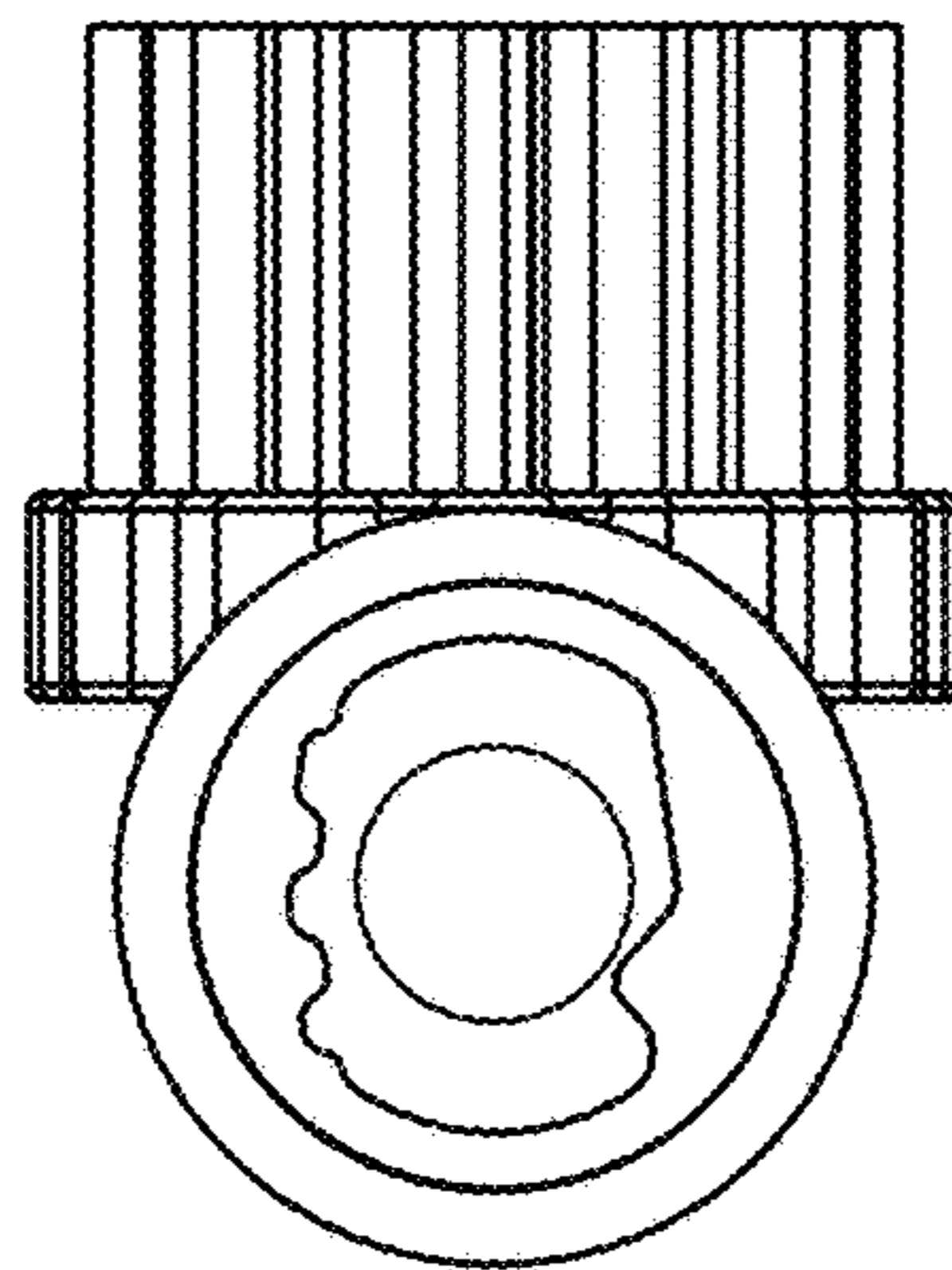


FIG. 6

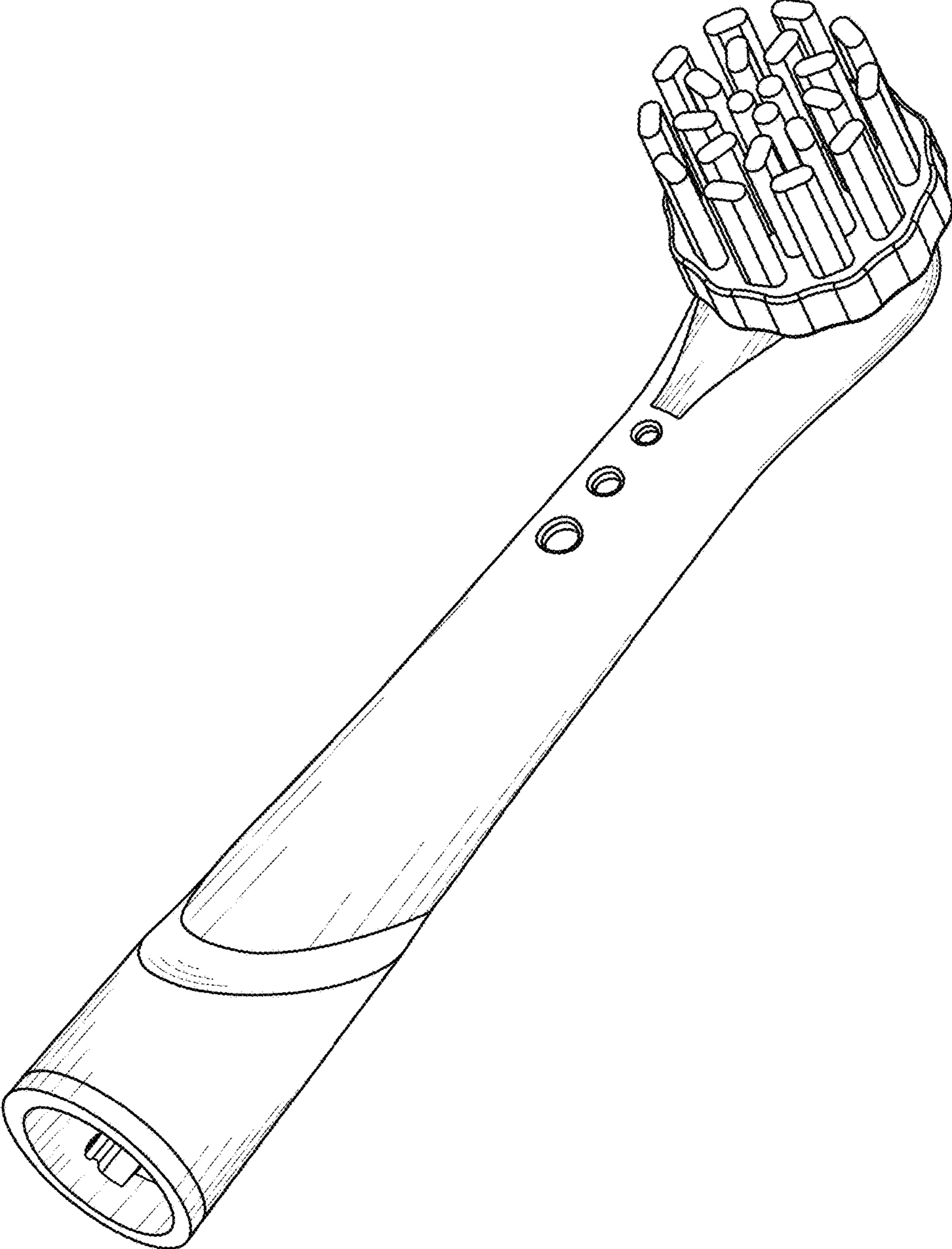


FIG.7