



US00D863769S

(12) **United States Design Patent**
Gulrajani

(10) **Patent No.:** **US D863,769 S**

(45) **Date of Patent:** **** Oct. 22, 2019**

(54) **WHEEL APPLIED TO LUGGAGE**
(71) Applicant: **it luggage Limited**, Hertford (GB)
(72) Inventor: **Paul Gulrajani**, Harlow (GB)
(73) Assignee: **it luggage Limited** (GB)

D573,451 S * 7/2008 Yang D8/375
D576,868 S * 9/2008 Minamiura D8/375
D593,326 S * 6/2009 Yeh D3/318
D653,526 S * 2/2012 Melara D8/375
D662,401 S * 6/2012 Lin D8/375
D725,459 S * 3/2015 Schulz D8/375
D731,878 S * 6/2015 Lindsay D8/375
D778,146 S * 2/2017 Kausemann D8/375

(**) Term: **15 Years**
(21) Appl. No.: **29/658,415**
(22) Filed: **Jul. 31, 2018**

* cited by examiner
Primary Examiner — Holly H Baynham
(74) *Attorney, Agent, or Firm* — Saidman DesignLaw Group, LLC

(30) **Foreign Application Priority Data**
Feb. 1, 2018 (EM) 004690287
Feb. 23, 2018 (EM) 004723526

(57) **CLAIM**
The ornamental design for a wheel applied to luggage, as shown and described.

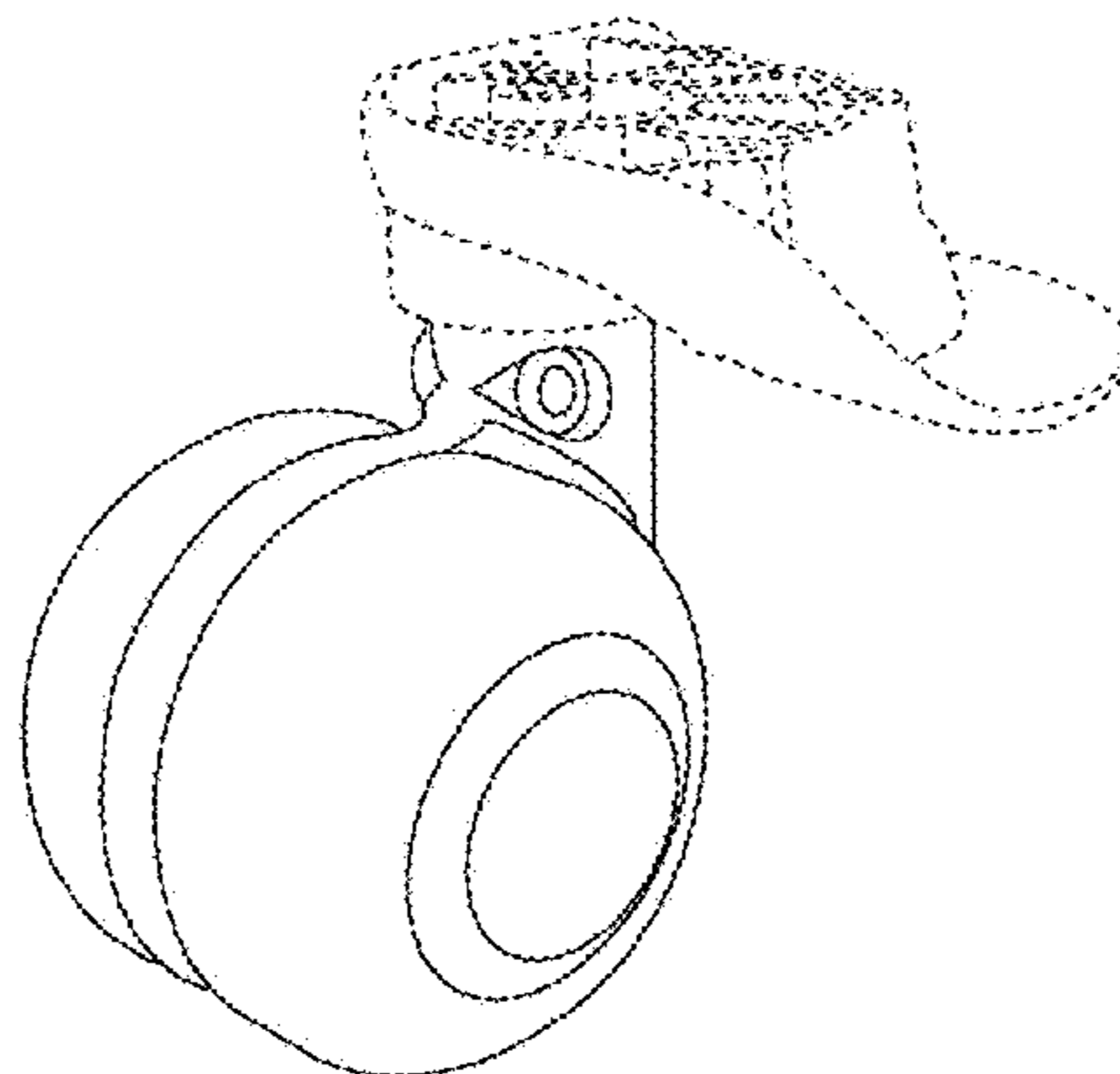
(51) **LOC (12) Cl.** **03-01**
(52) **U.S. Cl.**
USPC **D3/318; D8/375**
(58) **Field of Classification Search**
USPC D3/318; D8/375
CPC . B60B 33/0052; B60B 33/00; B60B 33/0002;
A45C 5/14; A45C 5/02; A45C 5/04;
A45C 11/00; A45C 2005/142; A45F 3/04;
A45F 3/42; A45F 3/00; A45F 3/005;
Y10T 16/182; Y10T 16/18
See application file for complete search history.

DESCRIPTION

FIG. 1 is a perspective view of a wheel applied to luggage showing my new design;
FIG. 2 is a front view thereof;
FIG. 3 is a side view thereof;
FIG. 4 is a perspective view of a second embodiment thereof;
FIG. 5 is a front view thereof;
FIG. 6 is a side view thereof;
FIG. 7 is a perspective view of a third embodiment thereof;
FIG. 8 is a front view thereof;
FIG. 9 is a side view thereof;
FIG. 10 is a perspective view of a fourth embodiment thereof;
FIG. 11 is a front view thereof; and,
FIG. 12 is a side view thereof.
The broken lines illustrate structure or features which form no part of the claimed design.
The gray shading illustrates color contrast, not surface ornamentation or a particular color.

(56) **References Cited**
U.S. PATENT DOCUMENTS
3,054,135 A * 9/1962 Shepherd B60B 33/0052
16/18 R
D337,191 S * 7/1993 Ibrahim D34/12
D340,182 S * 10/1993 Soltani D8/375
D360,356 S * 7/1995 Lewis D8/375
5,956,805 A * 9/1999 Huang B60B 33/06
16/19
D461,398 S * 8/2002 Holbrook D8/375
D476,484 S * 7/2003 Santy D3/318

1 Claim, 8 Drawing Sheets



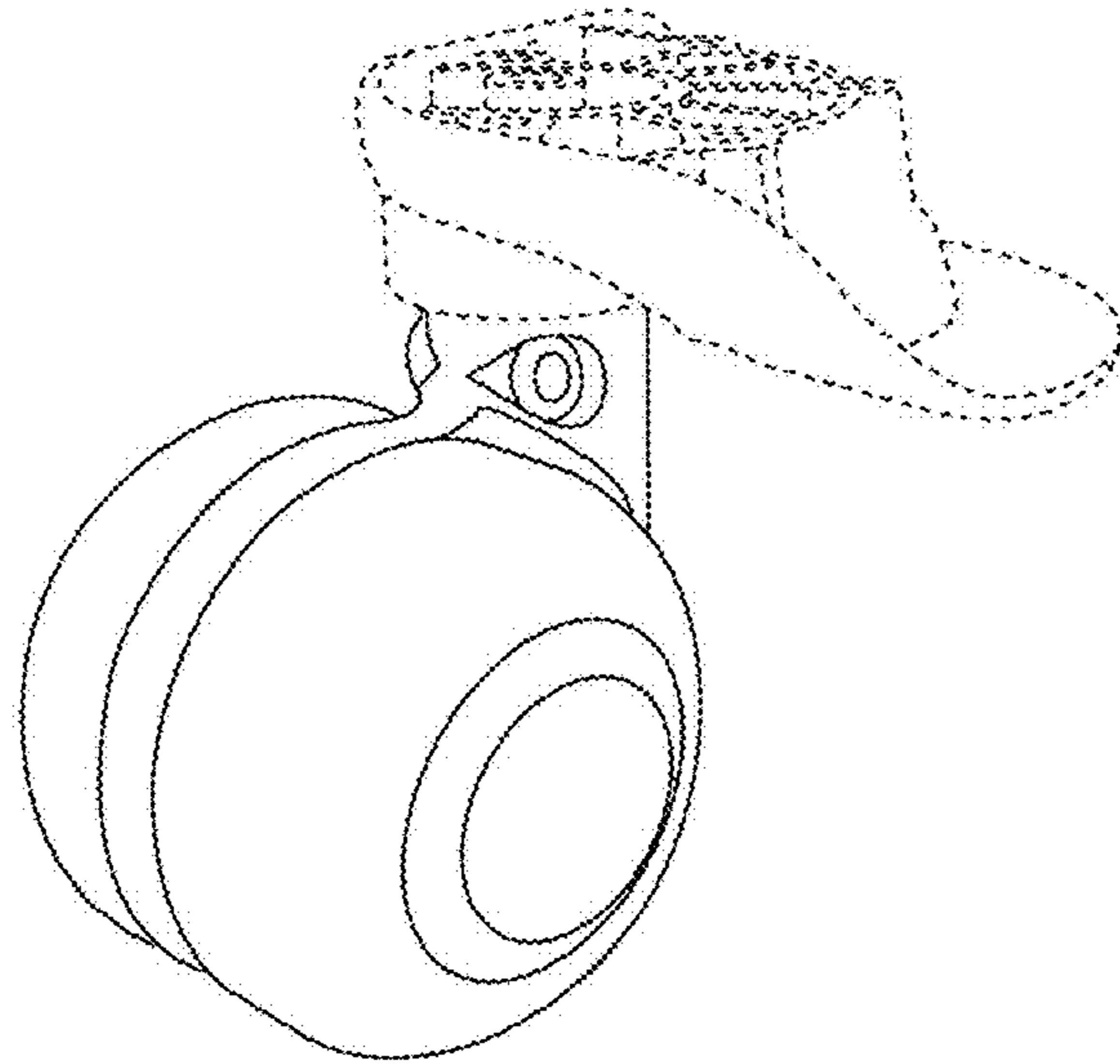


FIG. 1

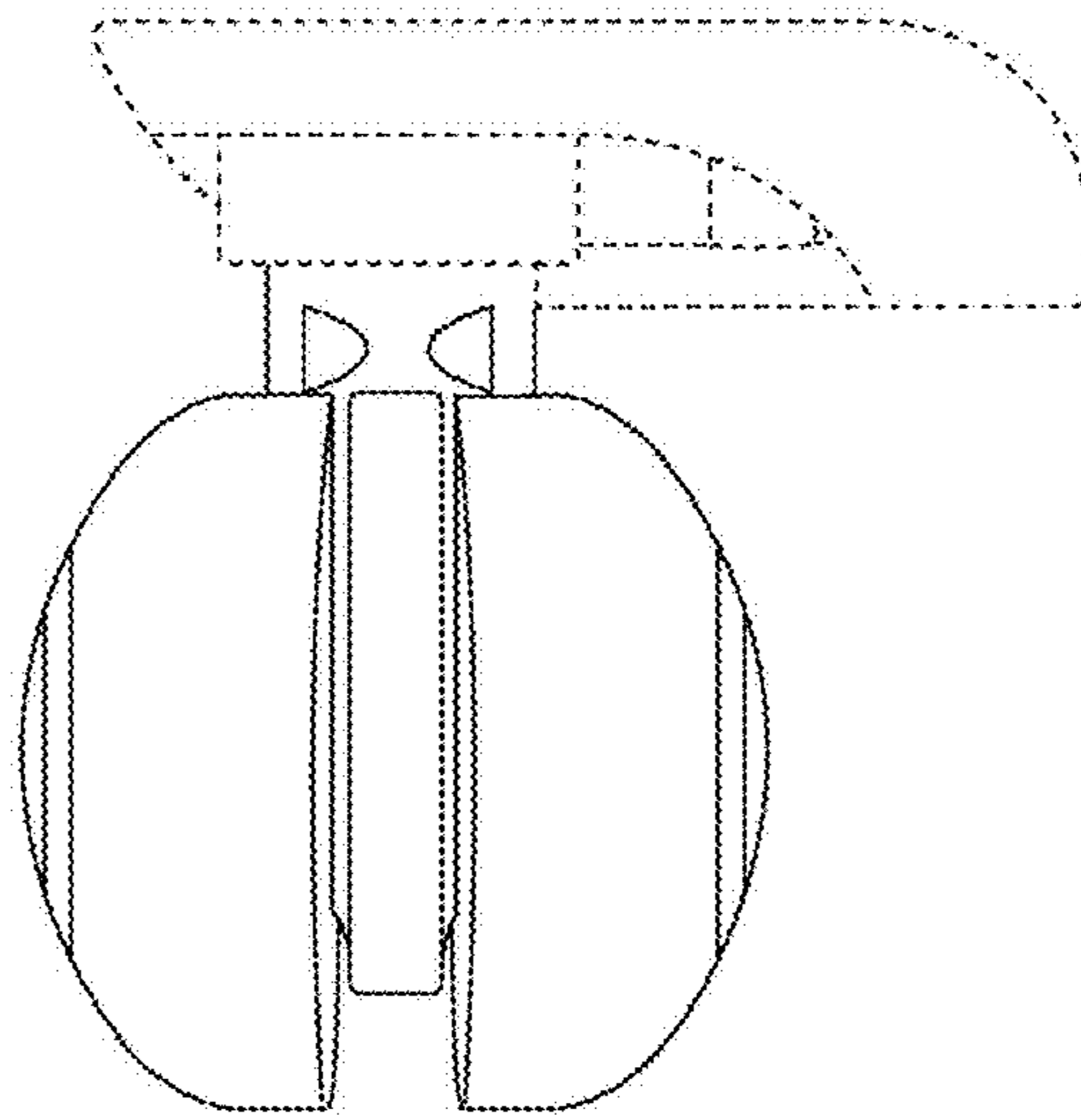


FIG. 2

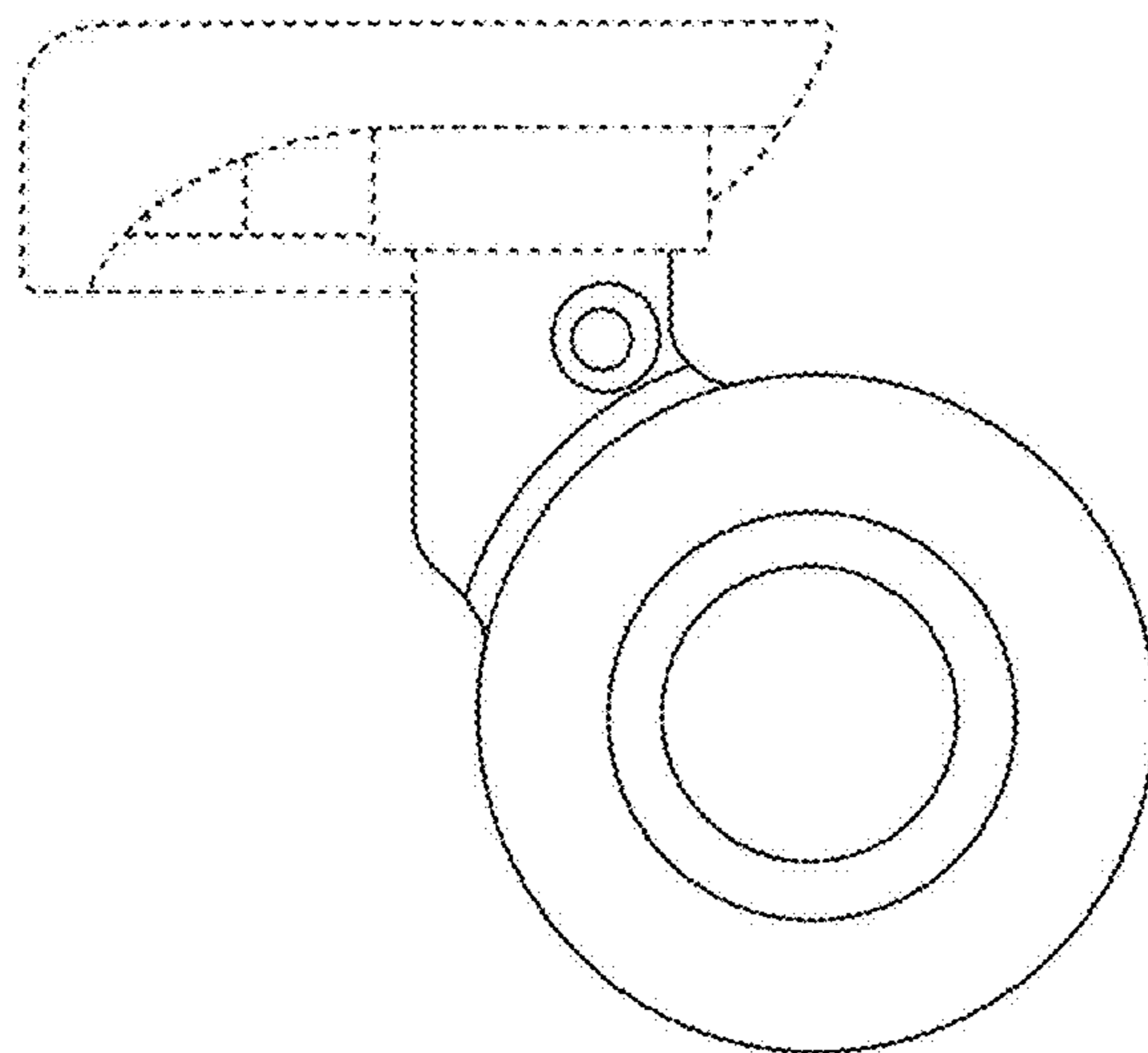


FIG. 3

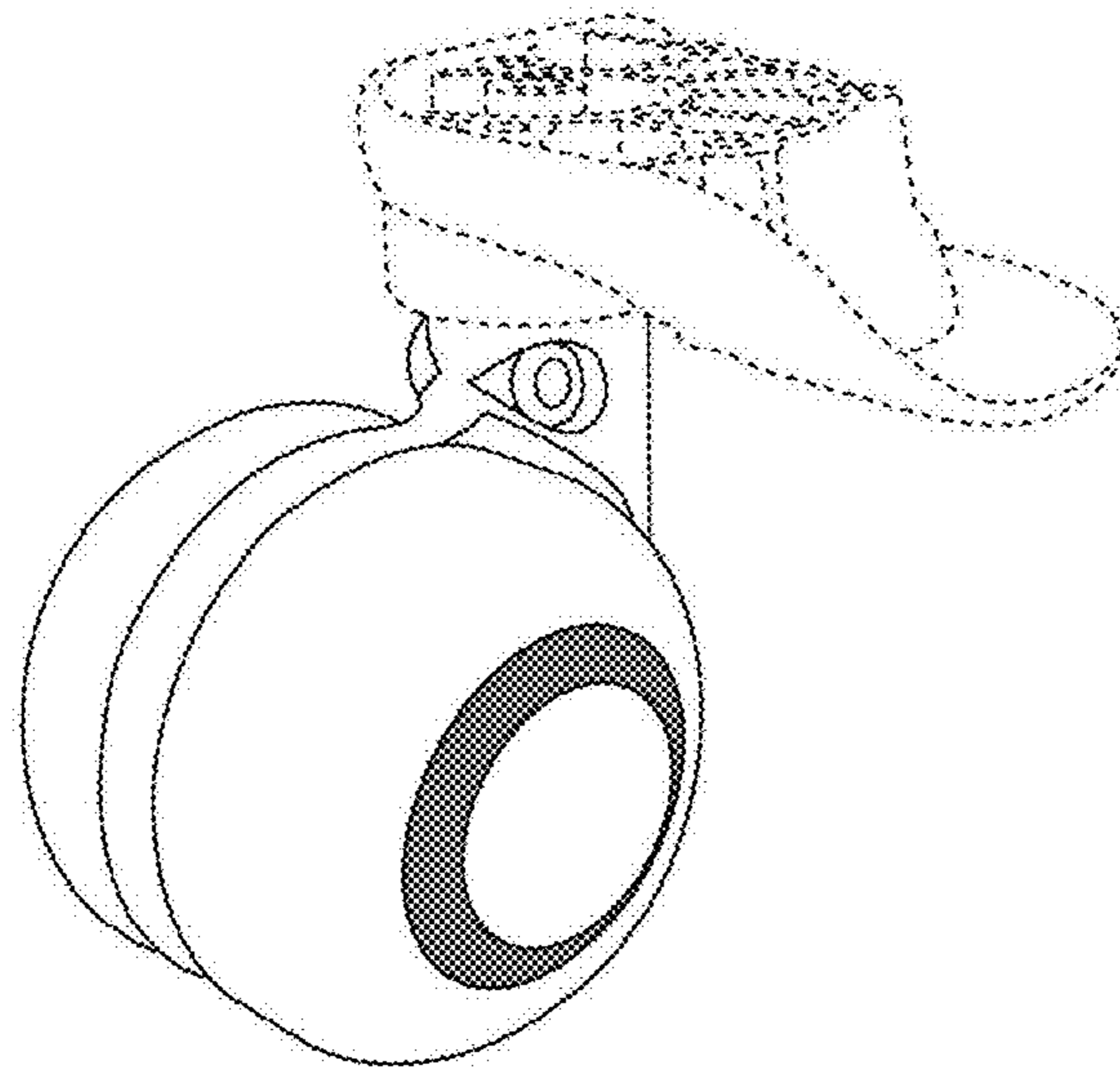


FIG. 4

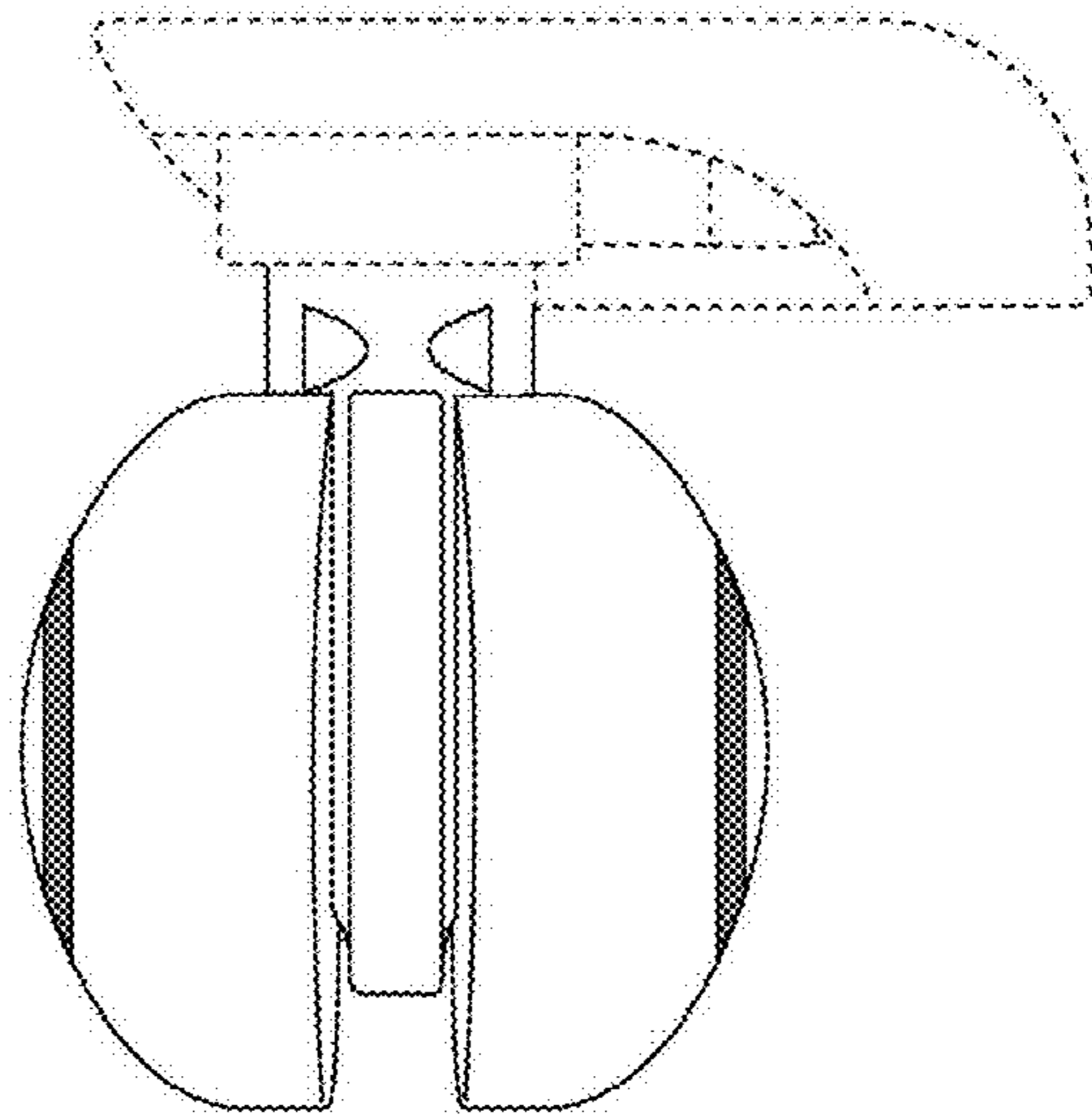


FIG. 5

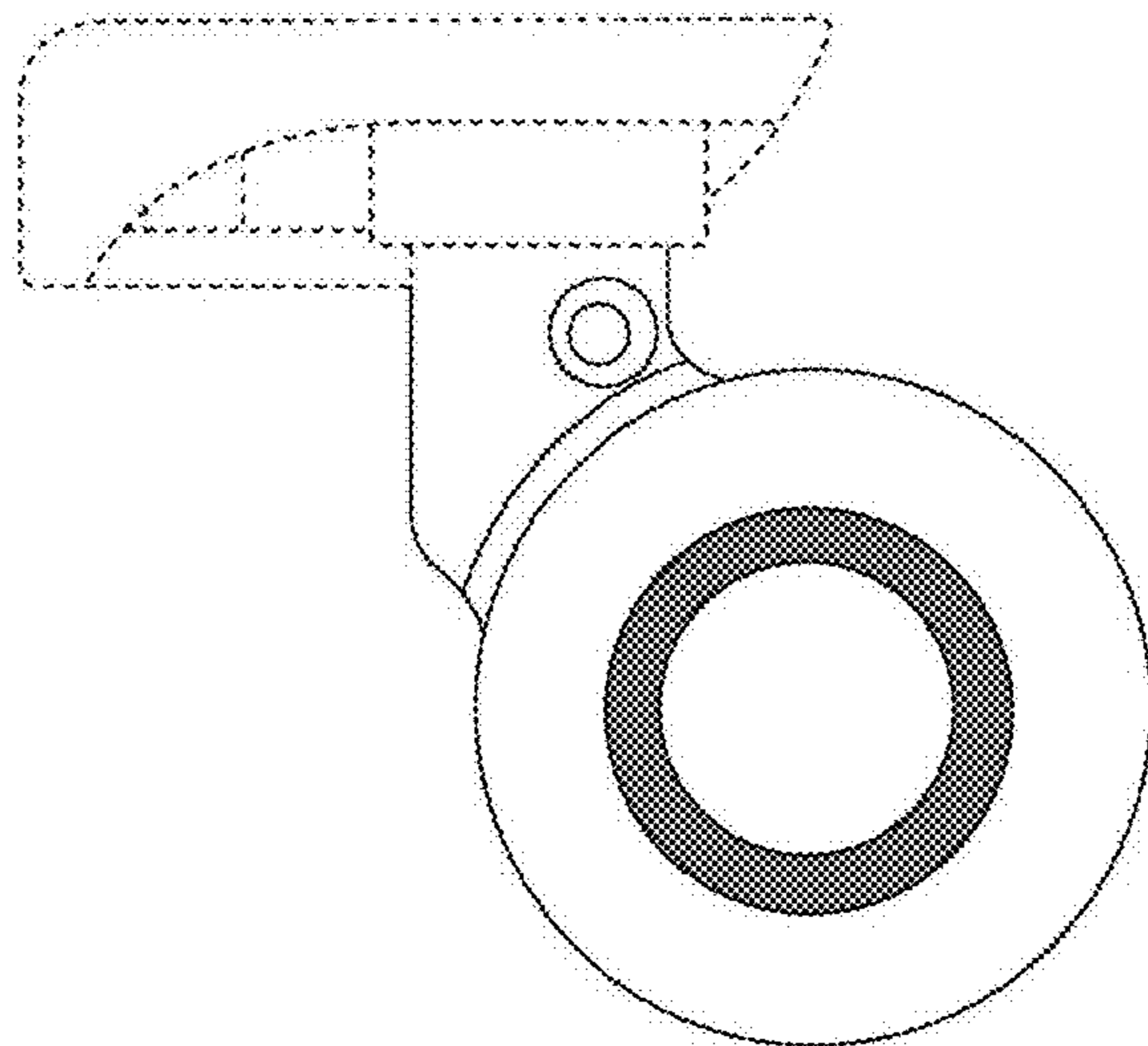


FIG. 6

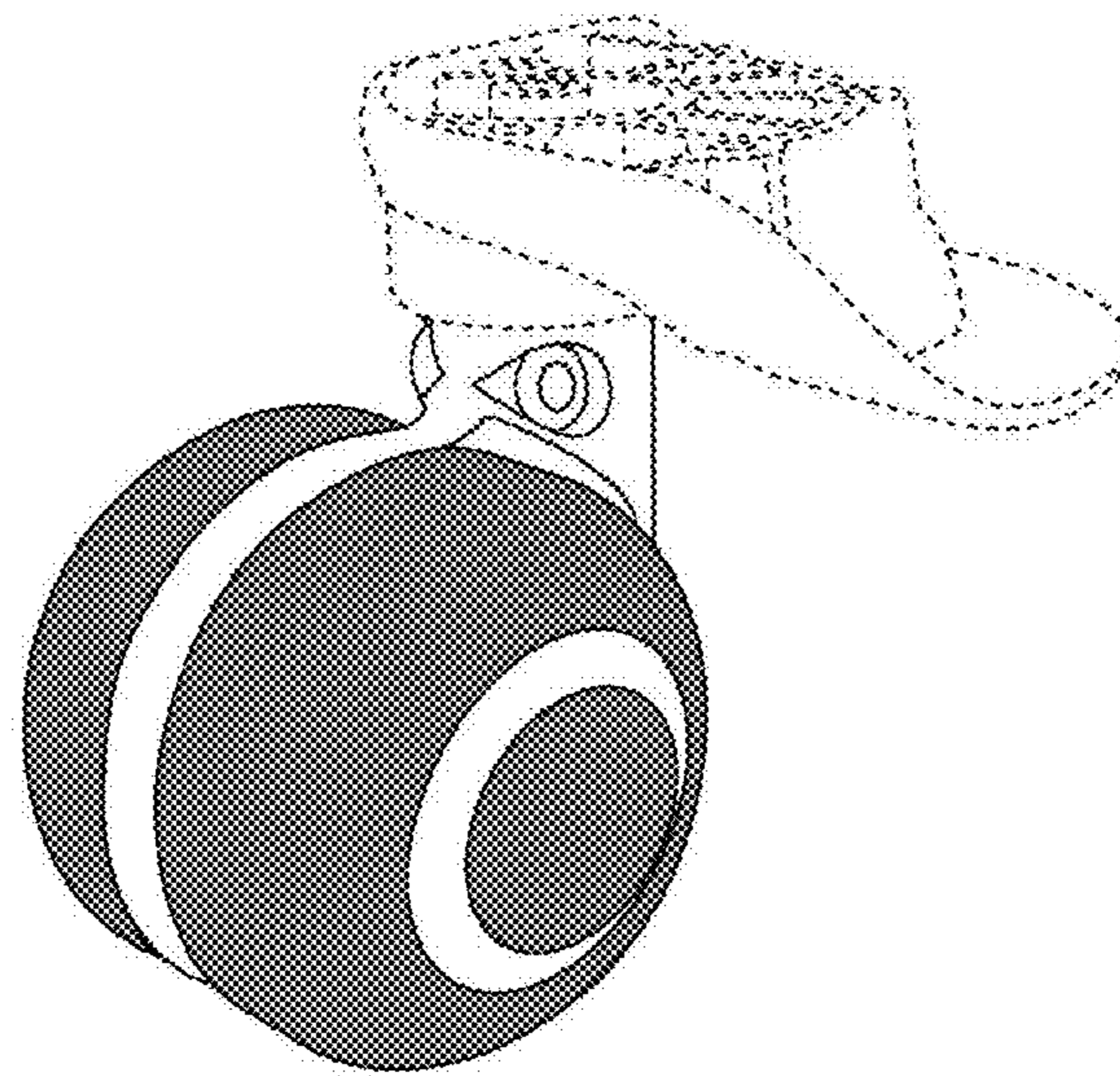


FIG. 7

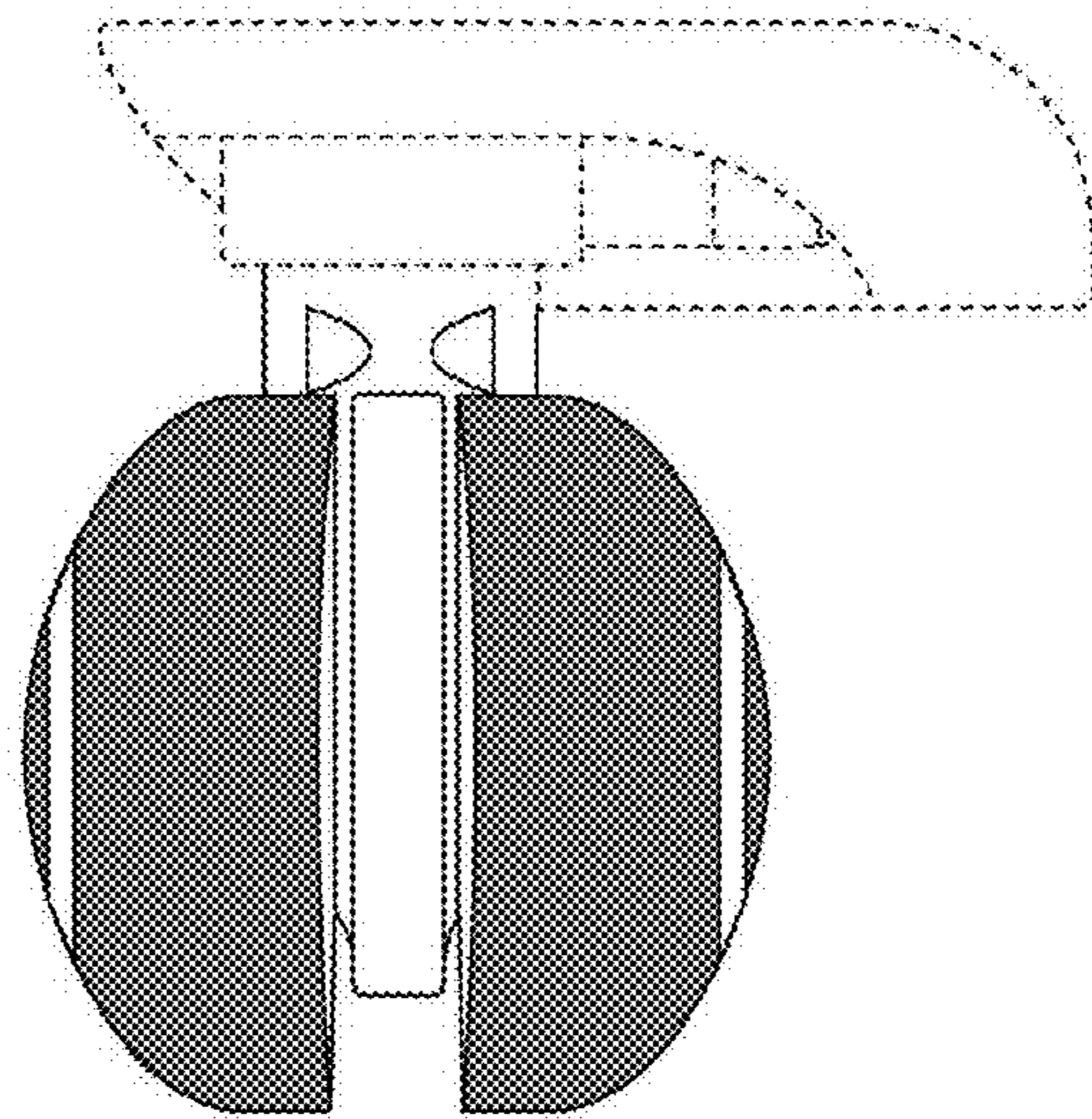


FIG. 8

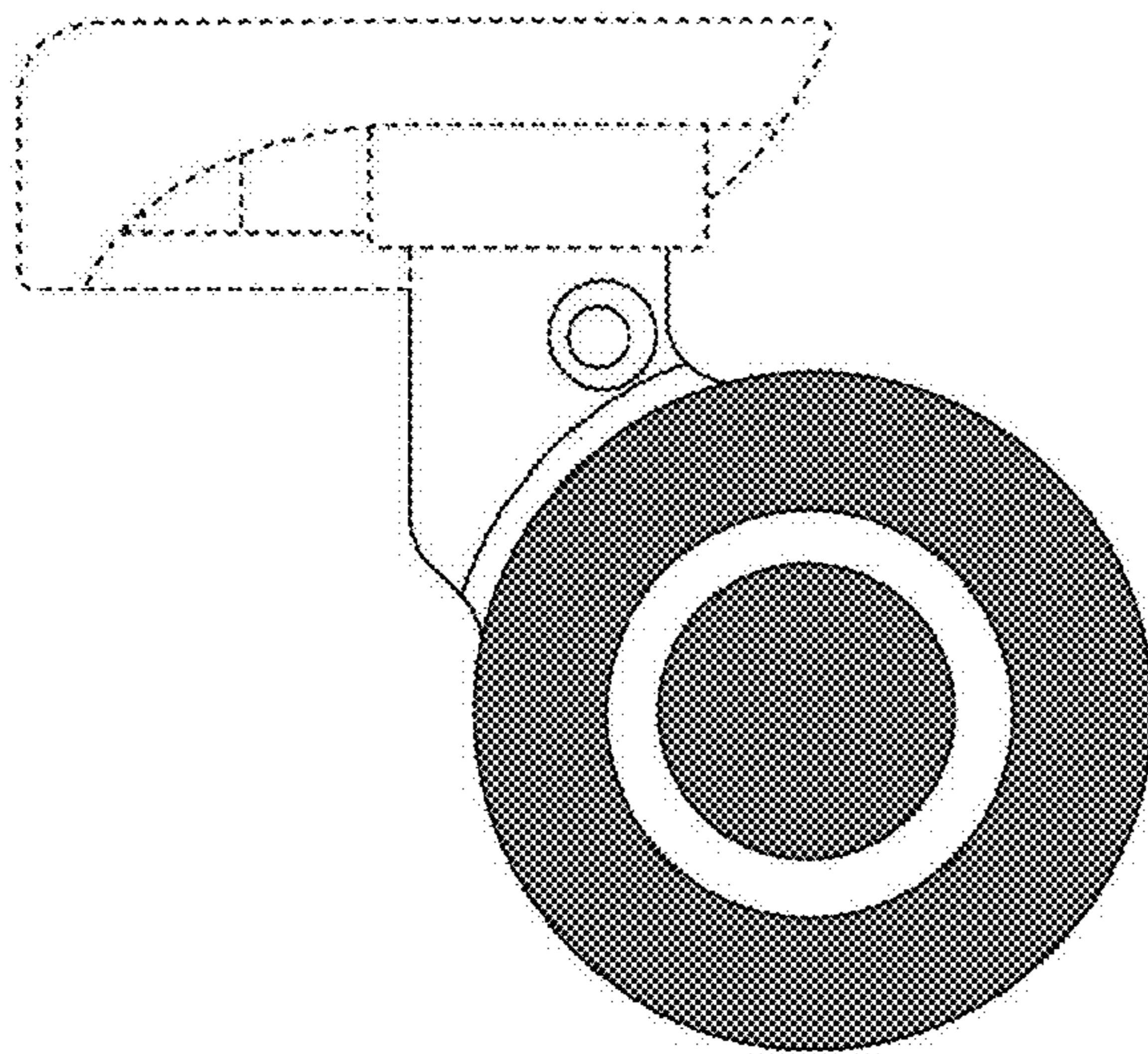


FIG. 9

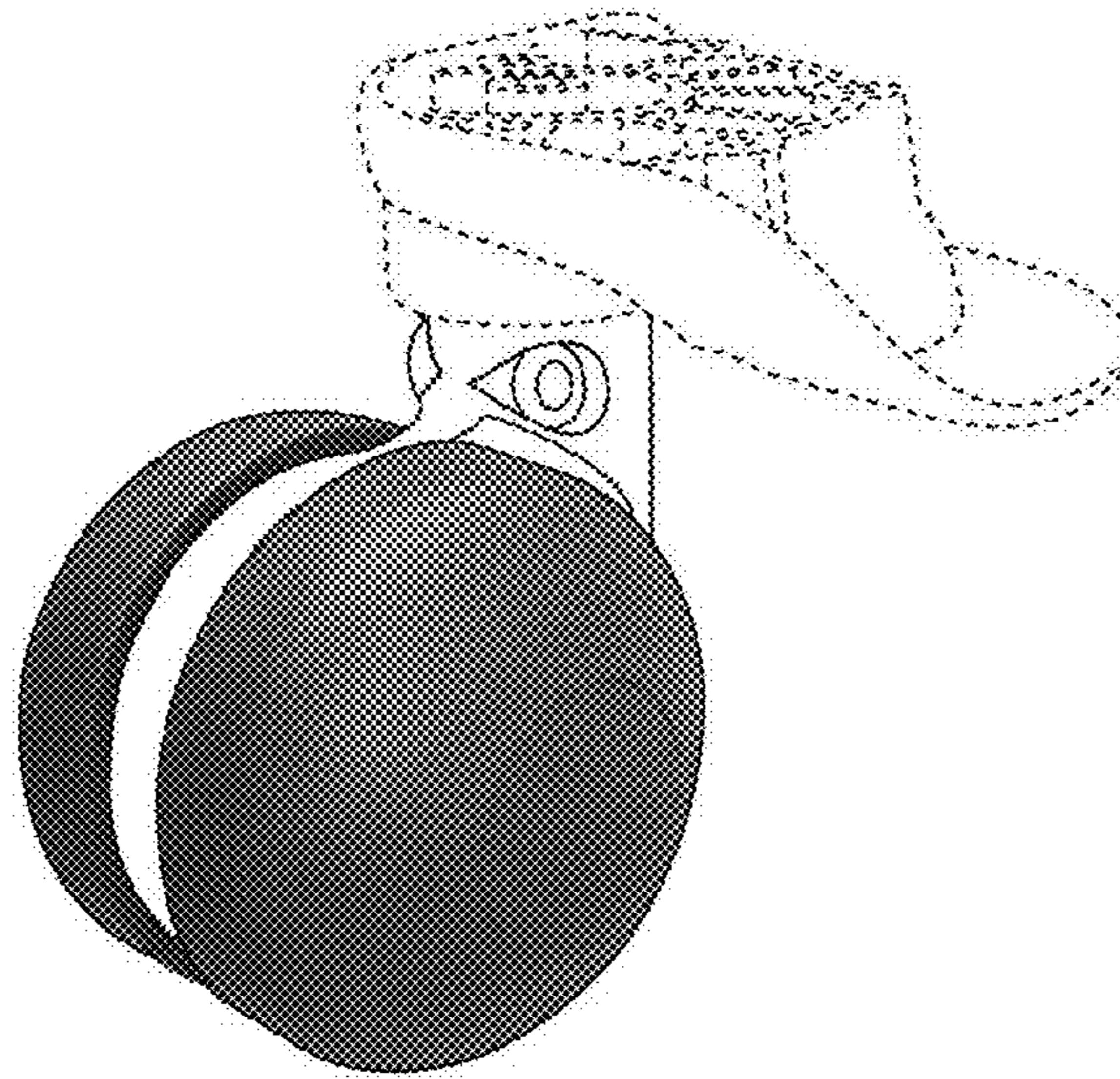


FIG. 10

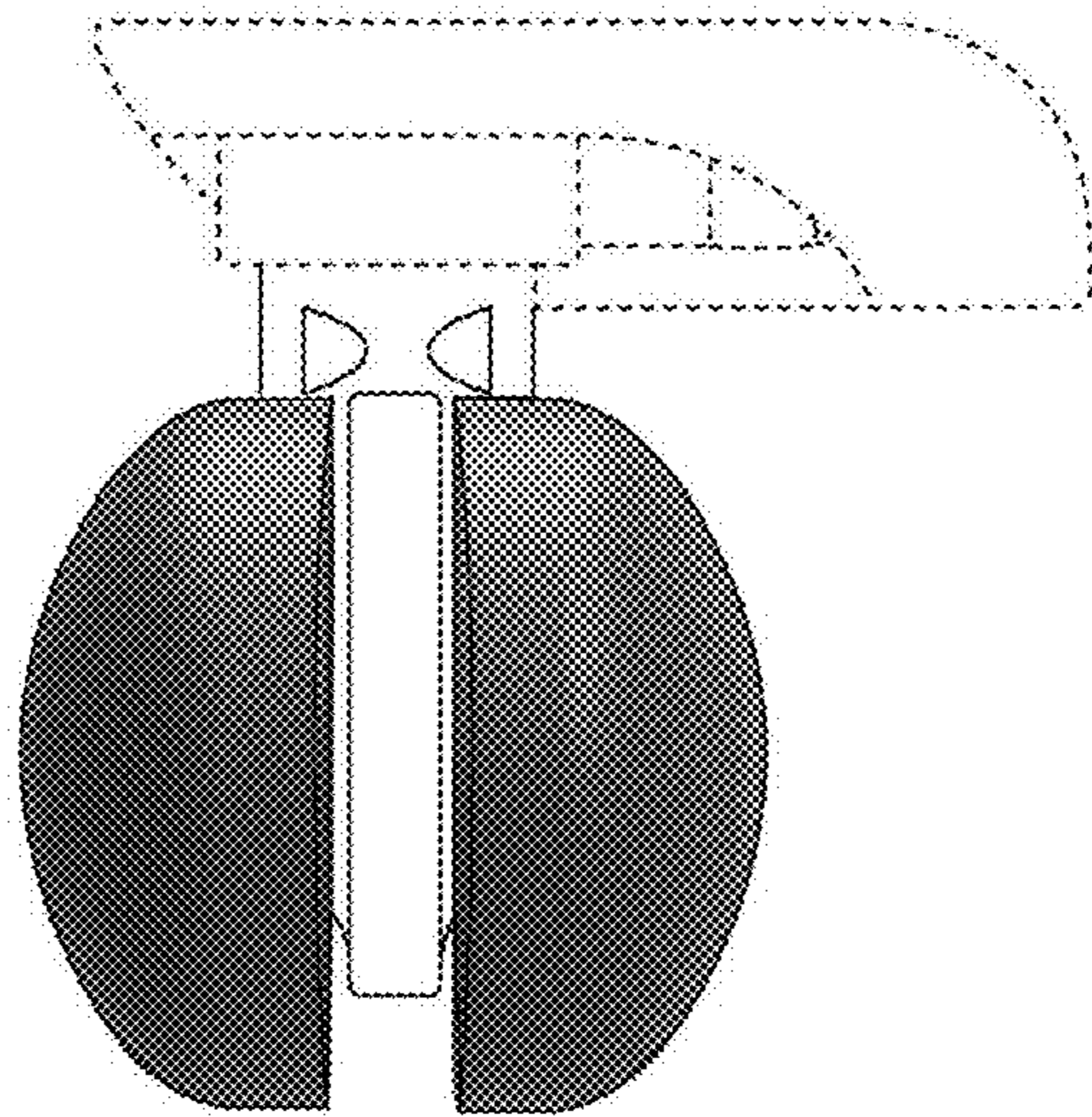


FIG. 11

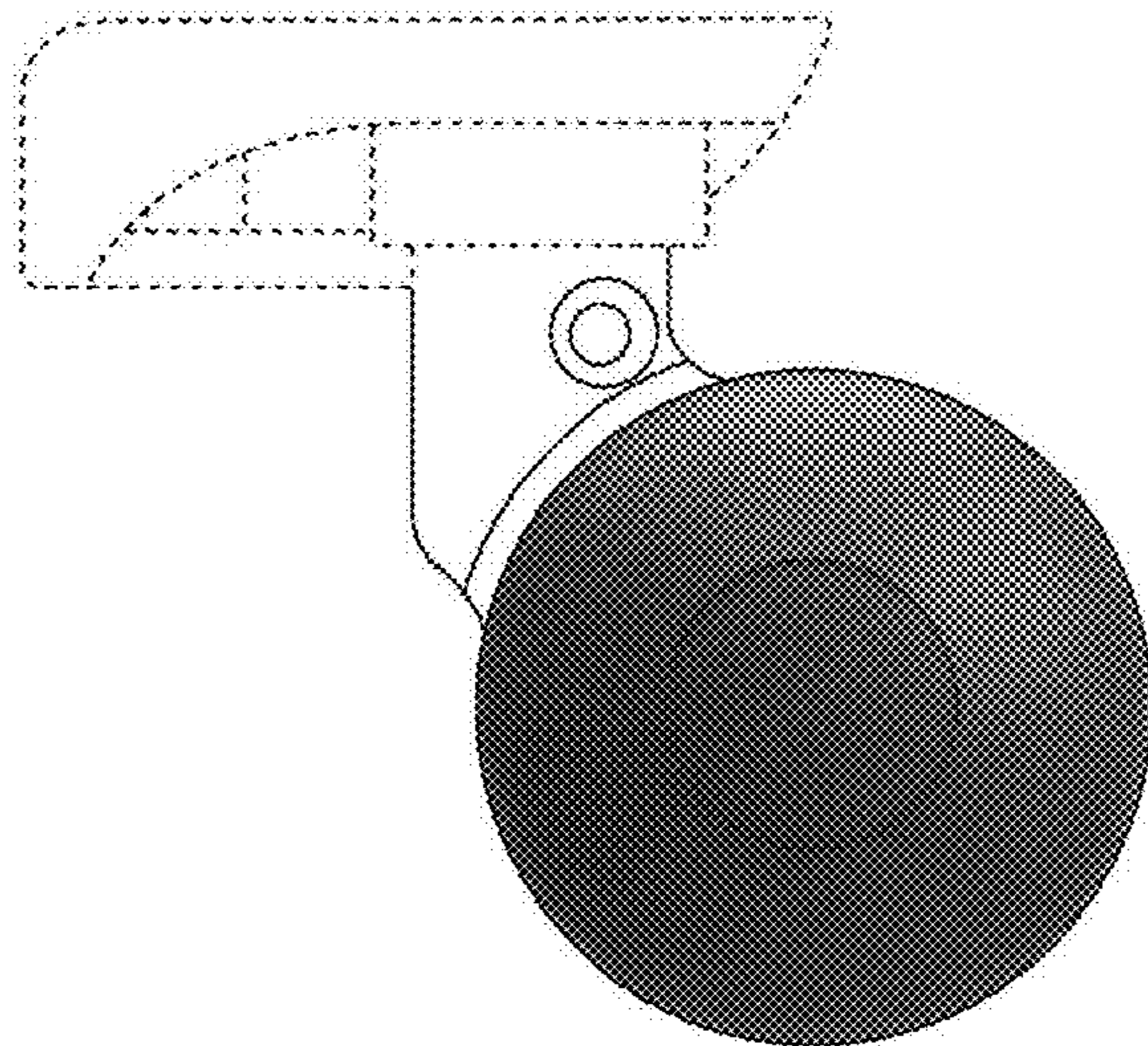


FIG. 12