



US00D863768S

(12) **United States Design Patent** (10) **Patent No.:** **US D863,768 S**
Wilson et al. (45) **Date of Patent:** **** Oct. 22, 2019**

(54) **CASE WITH CUTOUT FOR CHAINSAW CHAIN**

Primary Examiner — Holly H Baynham

(74) *Attorney, Agent, or Firm* — Kilpatrick Townsend & Stockton LLP

(71) Applicant: **TriLink Saw Chain, LLC**, Atlanta, GA (US)

(72) Inventors: **Jefferey S. Wilson**, Atlanta, GA (US);
Donald Jacob Grant, Atlanta, GA (US)

(57) **CLAIM**

The ornamental design for a case with cutout for chainsaw chain, as shown and described.

(73) Assignee: **Trilink Saw Chain, LLC**, Atlanta, GA (US)

(**) Term: **15 Years**

DESCRIPTION

(21) Appl. No.: **29/657,951**

FIG. 1 is a perspective front view of a case with cutout for chainsaw chain, shown in the closed position.

(22) Filed: **Jul. 26, 2018**

FIG. 2 is a front view of the case with cutout for chainsaw chain of FIG. 1, shown in the closed position.

(51) **LOC (12) Cl.** **03-01**

FIG. 3 is a rear view of the case with cutout for chainsaw chain of FIG. 1, shown in the closed position.

(52) **U.S. Cl.**
USPC **D3/318**

FIG. 4 is a right side view of the case with cutout for chainsaw chain of FIG. 1, shown in the closed position.

(58) **Field of Classification Search**
USPC D3/318
CPC A63B 71/00

FIG. 5 is a left side view of the case with cutout for chainsaw chain of FIG. 1, shown in the closed position.

See application file for complete search history.

FIG. 6 is a top view of the case with cutout for chainsaw chain of FIG. 1, shown in the closed position.

(56) **References Cited**

FIG. 7 is a bottom view of the case with cutout for chainsaw chain of FIG. 1, shown in the closed position; and,

U.S. PATENT DOCUMENTS

D465,330 S * 11/2002 Parker D3/201
D774,757 S * 12/2016 Bournay, Jr. D3/276
D799,202 S * 10/2017 Rolfs D3/203.1

FIG. 8 is a perspective view of the case with cutout for chainsaw chain of FIG. 1, shown in the open position.

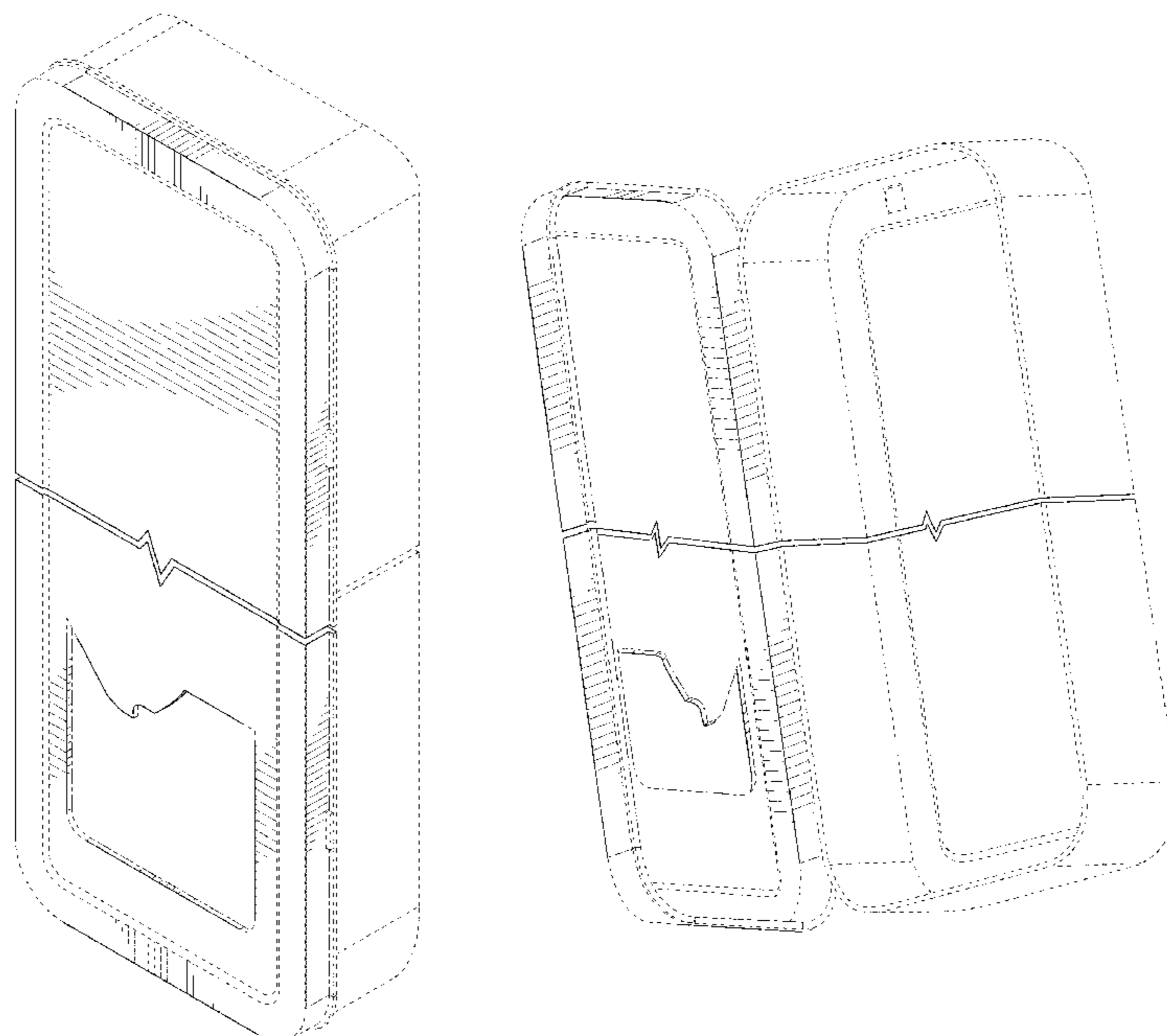
OTHER PUBLICATIONS

“<https://www.homedepot.com/p/TriLink-20-in-GC72-Full-Chisel-Chainsaw-Chain-CL85072PC2/206571755>”, available at least as early as Jul. 15, 2018, 1 page.

The boundary lines immediately adjacent to shaded areas represent a claim boundary and form no part of the claimed design. All other broken lines form no part of the claimed design. The case with cutout for chainsaw chain is shown with a symbolic break in its length. The appearance of any portion of the article between the break lines forms no part of the claimed design.

* cited by examiner

1 Claim, 7 Drawing Sheets



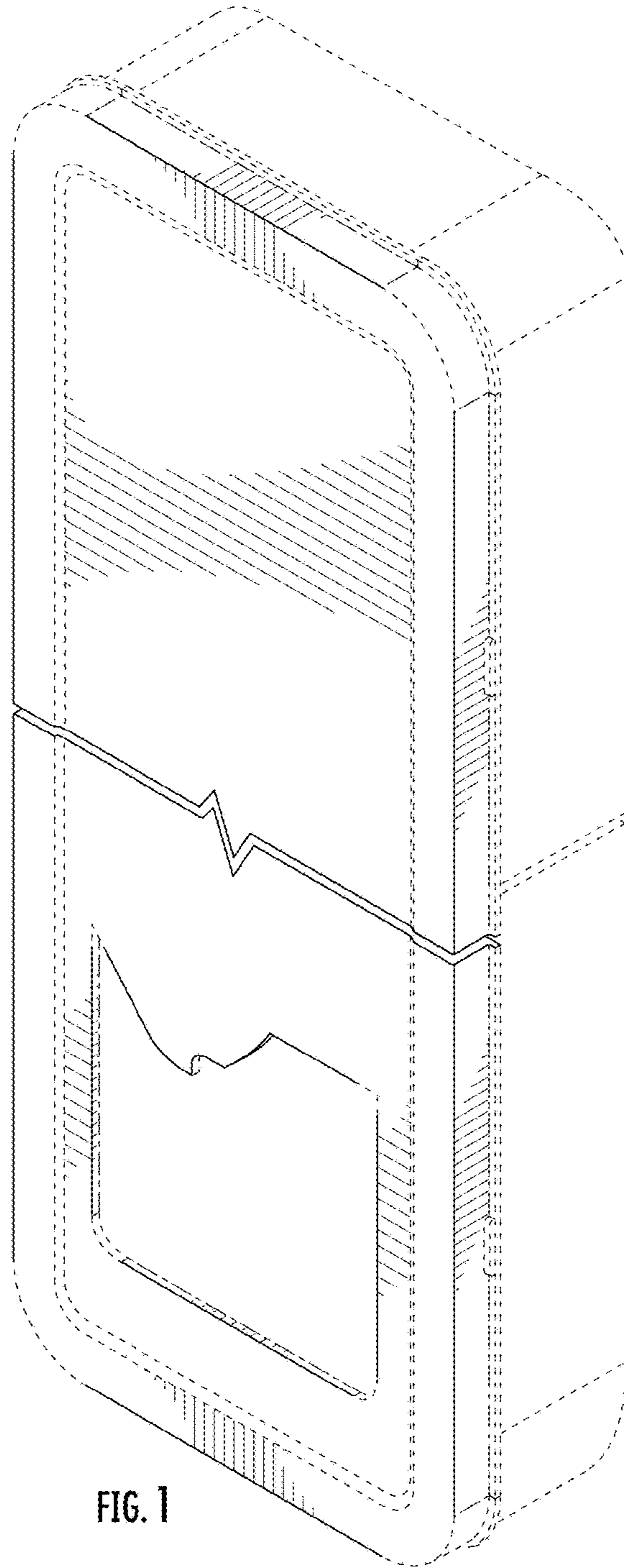


FIG. 1

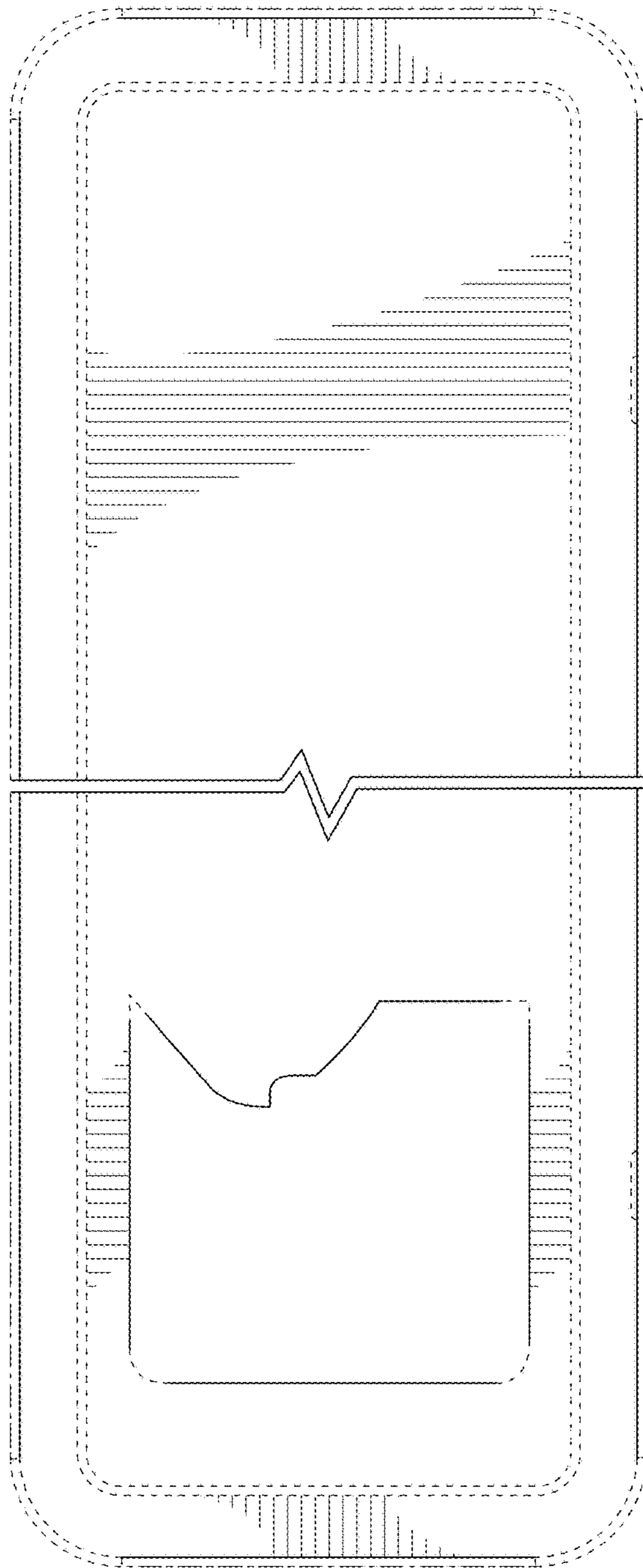


FIG. 2

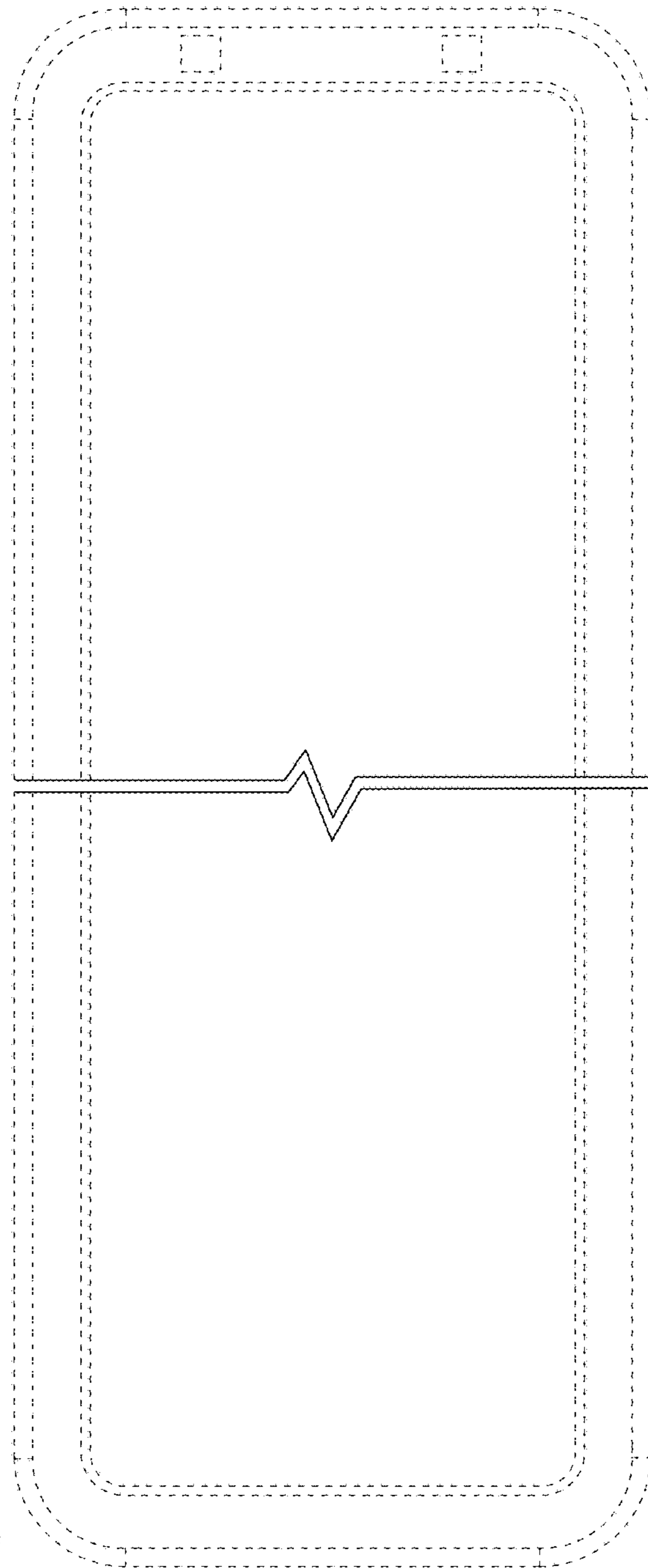


FIG. 3

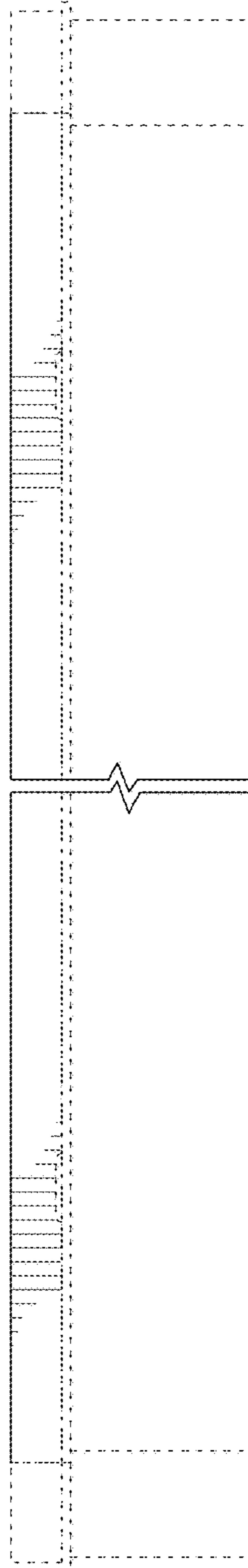


FIG. 4

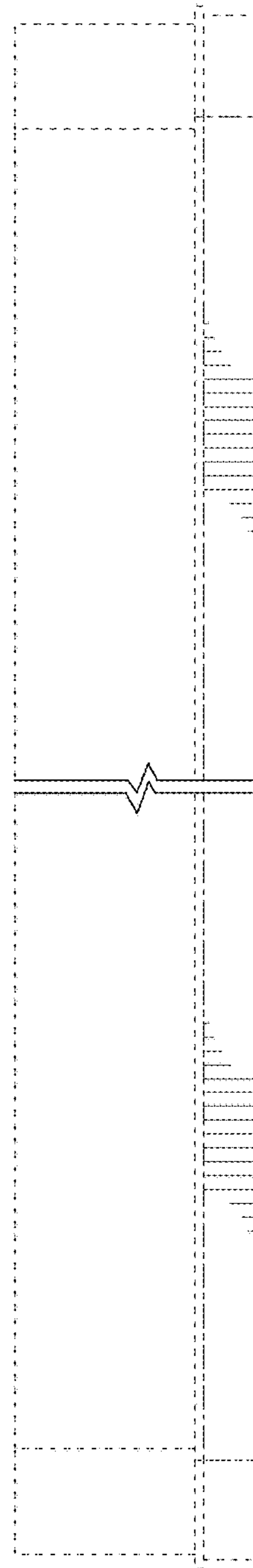


FIG. 5

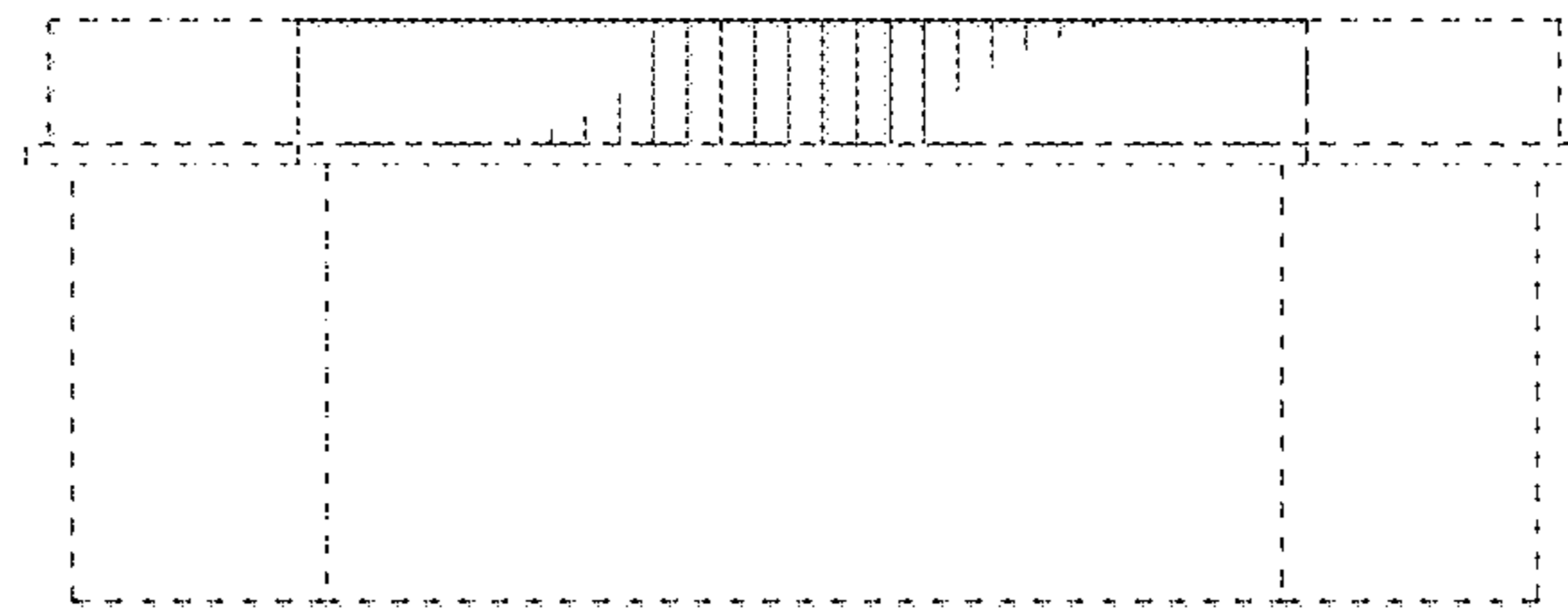


FIG. 6

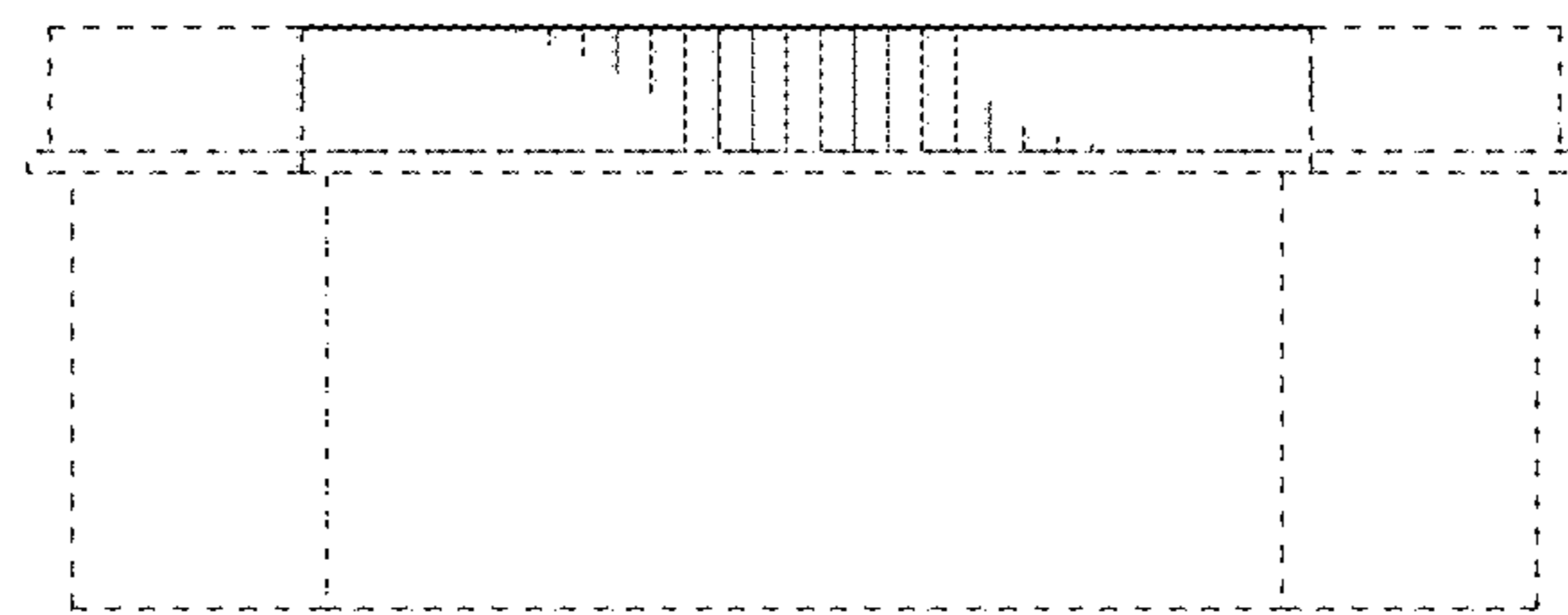


FIG. 7

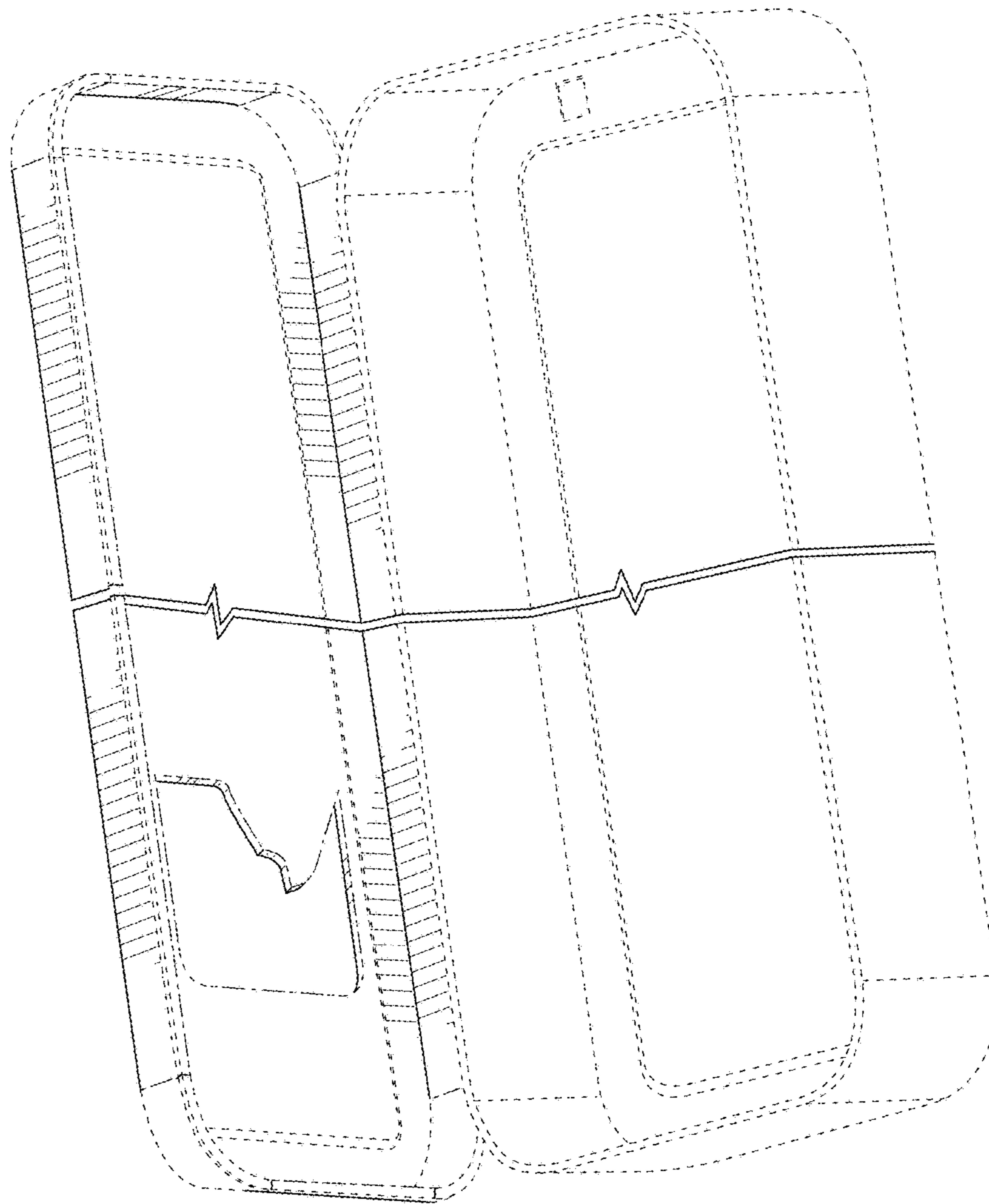


FIG. 8