



US00D863766S

(12) **United States Design Patent** (10) **Patent No.:** **US D863,766 S**
Truong (45) **Date of Patent:** **** Oct. 22, 2019**

- (54) **LUGGAGE HANDLE**
- (71) Applicant: **Traveler's Choice**, Pomona, CA (US)
- (72) Inventor: **Peter Truong**, Tehachapi, CA (US)
- (73) Assignee: **Traveler's Choice**, Pomona, CA (US)
- (**) Term: **15 Years**
- (21) Appl. No.: **29/645,390**
- (22) Filed: **Apr. 25, 2018**

D507,405 S *	7/2005	Kim	D3/318
D527,183 S *	8/2006	Moon	D3/318
D607,645 S *	1/2010	Wu	D3/318
D684,370 S *	6/2013	Ford	D3/318
D778,053 S *	2/2017	Li	D3/318
D778,054 S *	2/2017	Li	D3/318
D827,304 S *	9/2018	Tao	D3/318

* cited by examiner

Primary Examiner — Holly H Baynham

Related U.S. Application Data

- (63) Continuation of application No. 14/939,569, filed on Nov. 12, 2015, now abandoned.
- (51) **LOC (12) Cl.** **03-01**
- (52) **U.S. Cl.**
USPC **D3/318**
- (58) **Field of Classification Search**
USPC D3/318
CPC A45C 11/18; A45C 11/182; A45C 13/262;
A45F 5/10; A45F 5/14; B65D 33/06
See application file for complete search history.

References Cited

U.S. PATENT DOCUMENTS

D278,878 S *	5/1985	Workman	D3/318
6,508,344 B1 *	1/2003	Lu	A45C 13/262 16/114.1
D473,716 S *	4/2003	Nykoluk	D3/318
D475,199 S *	6/2003	Nykoluk	D3/318
6,651,791 B1 *	11/2003	Nykoluk	A45C 13/262 16/113.1
D489,902 S *	5/2004	Nykoluk	D3/318

(57) **CLAIM**

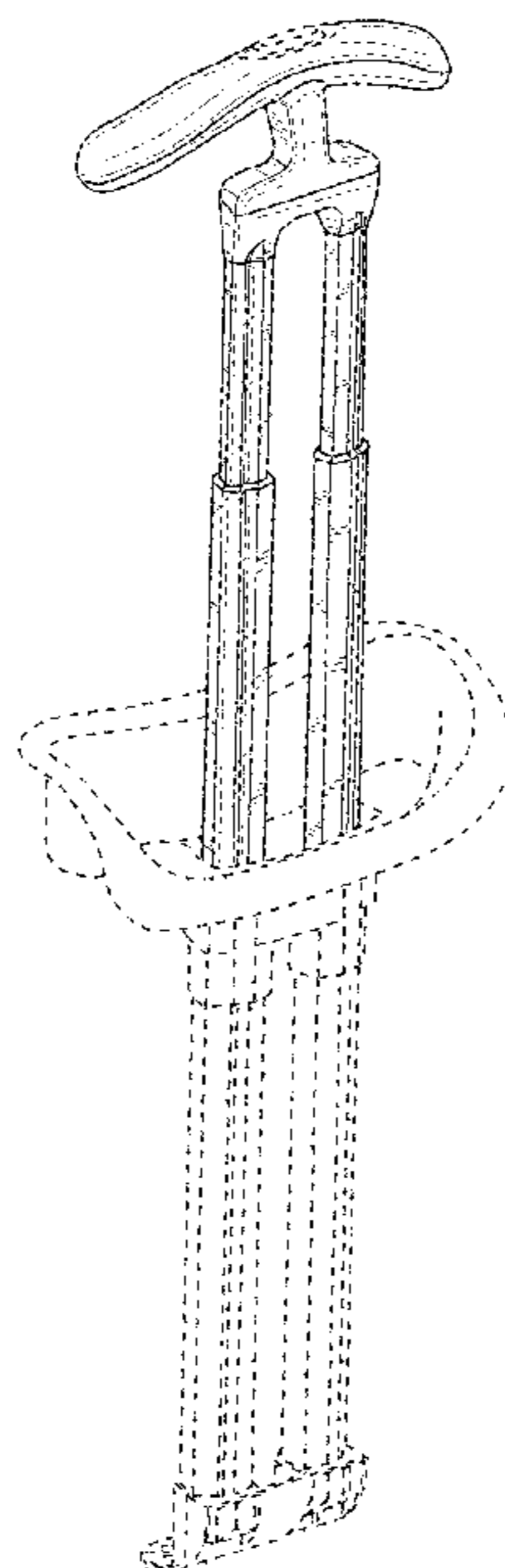
The ornamental design for a luggage handle, as shown and described.

DESCRIPTION

FIG. 1 shows a front perspective view of a luggage handle; FIG. 2 shows a front plan view of the luggage handle of FIG. 1; FIG. 3 shows a rear plan view of the luggage handle of FIG. 1; FIG. 4 shows a left plan view of the luggage handle of FIG. 1; FIG. 5 shows a right plan view of the luggage handle of FIG. 1; FIG. 6 shows a top plan view of the luggage handle of FIG. 1; and, FIG. 7 shows a bottom plan view of the luggage handle of FIG. 1.

The broken lines showing portions of a the luggage handle are for the purposes of illustrating environment and form no part of the claimed design.

1 Claim, 7 Drawing Sheets



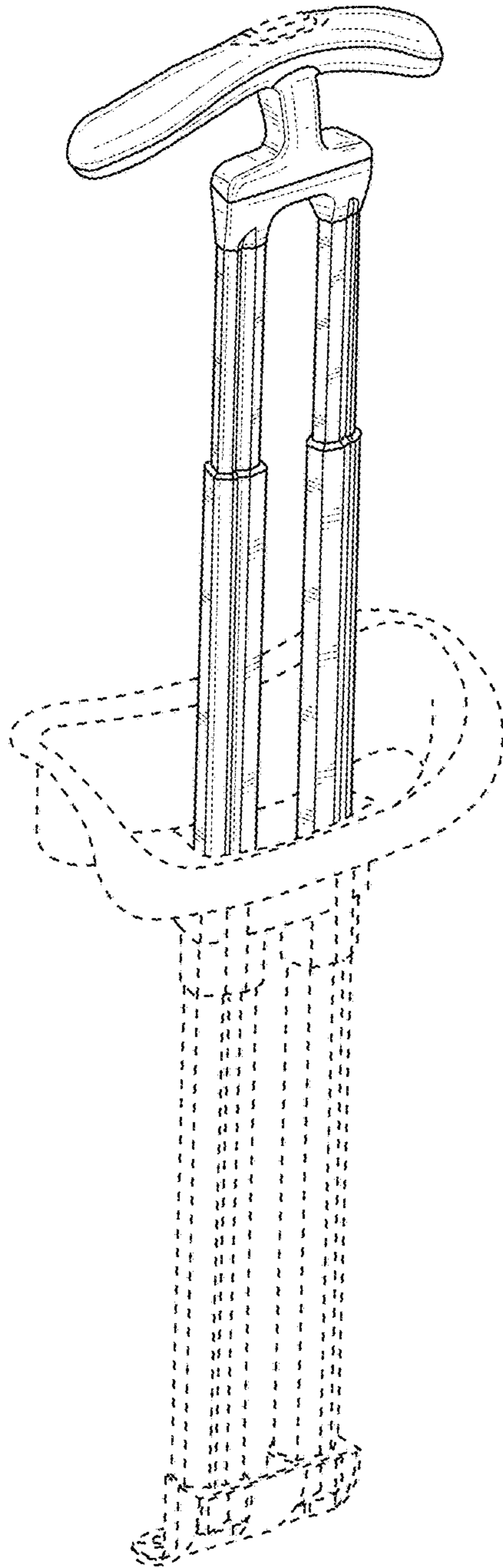


FIG. 1

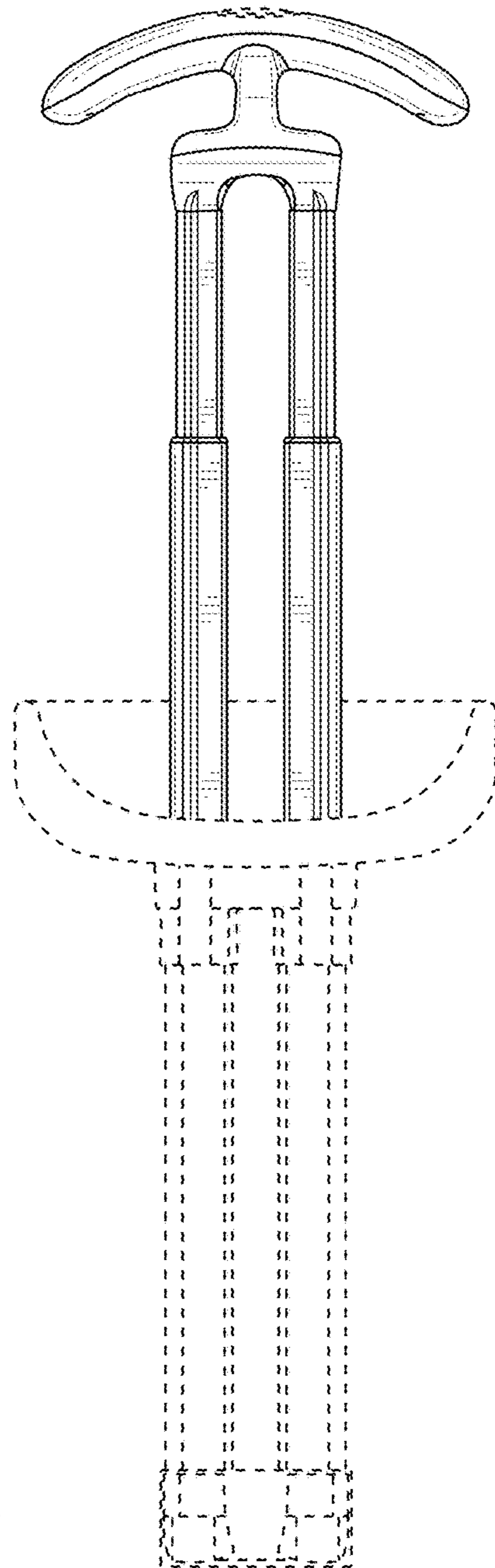


FIG. 2

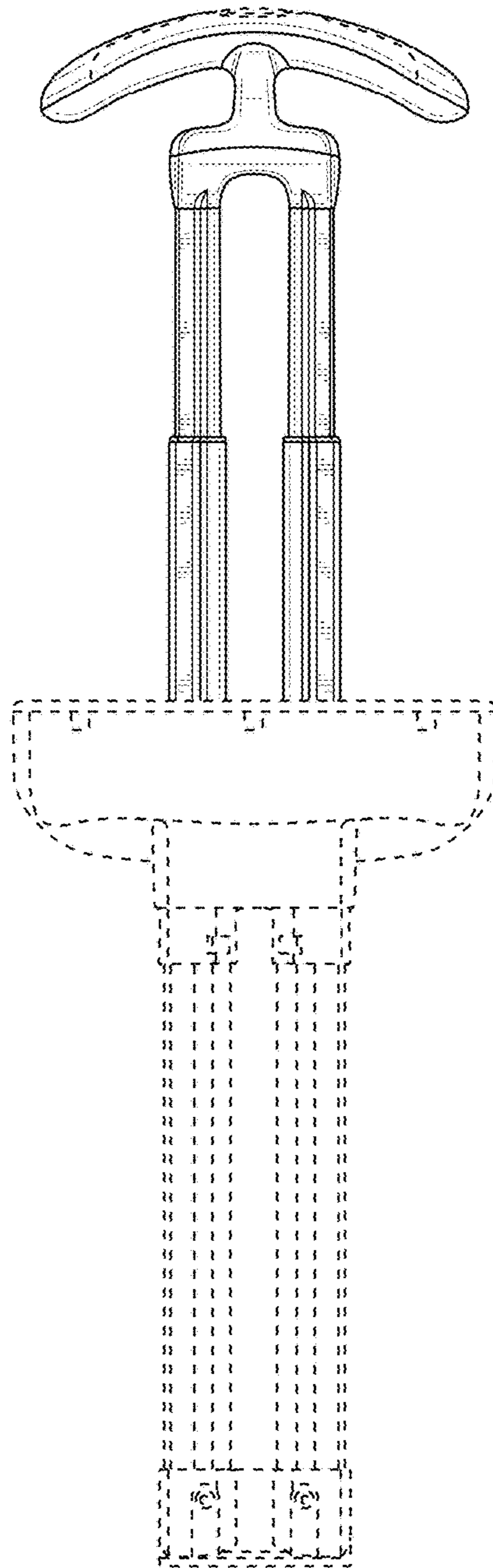


FIG. 3

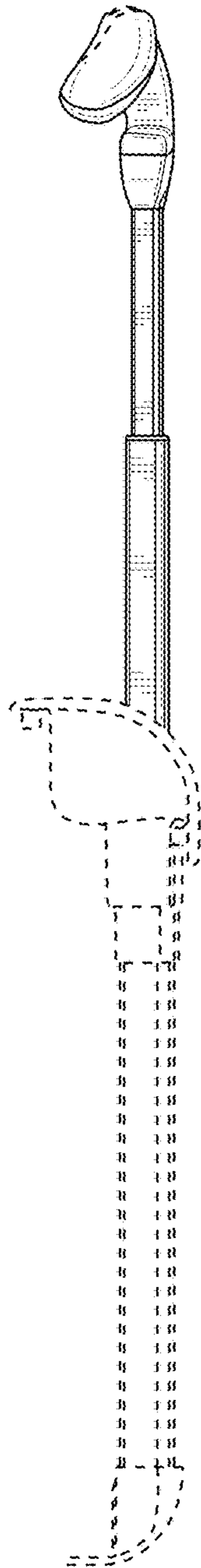


FIG. 4

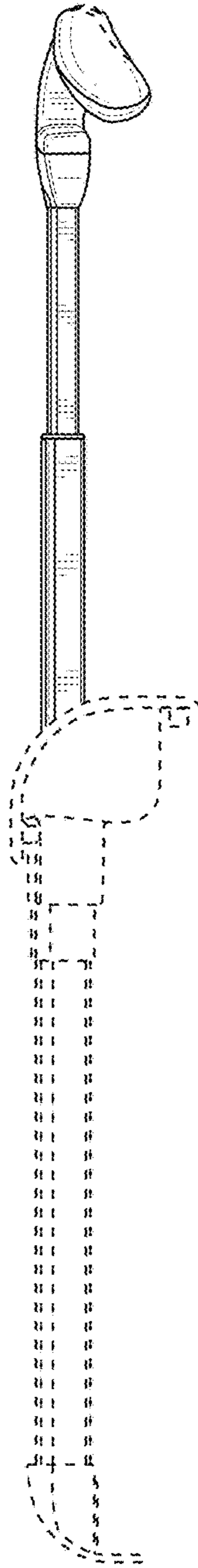


FIG. 5

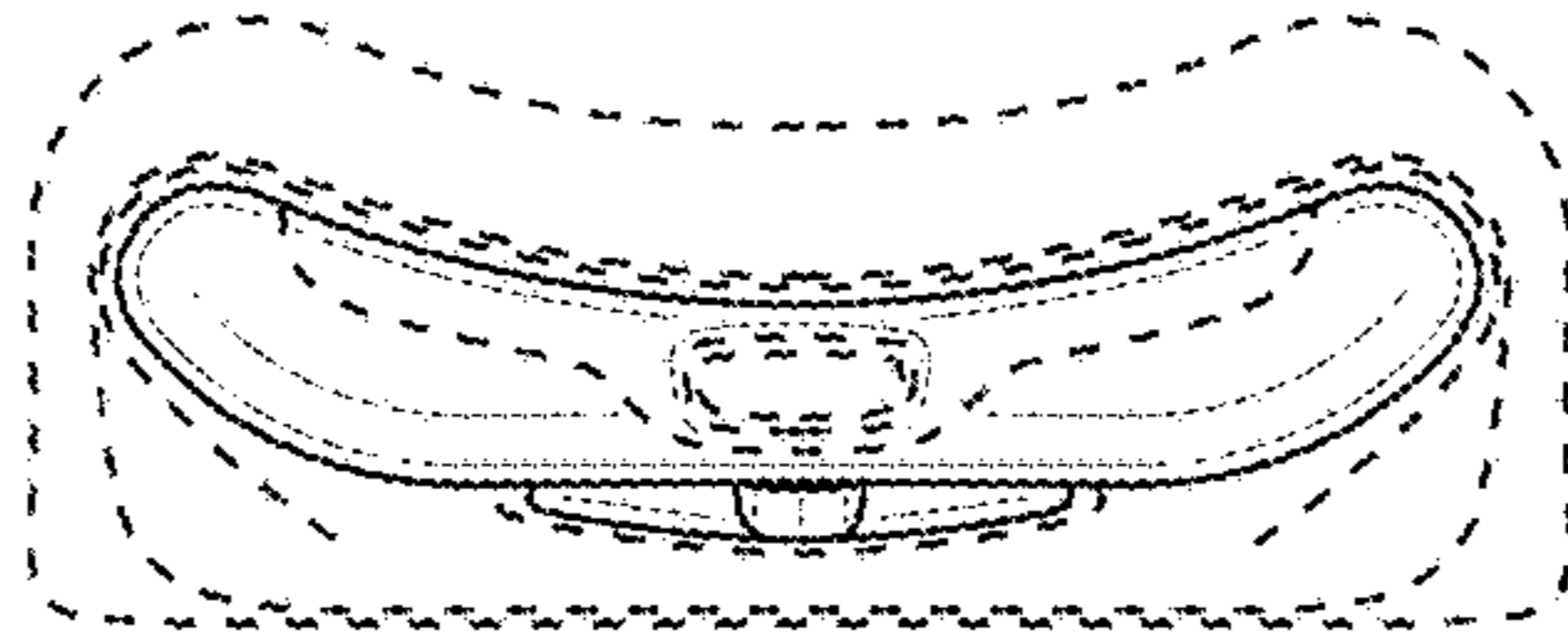


FIG. 6

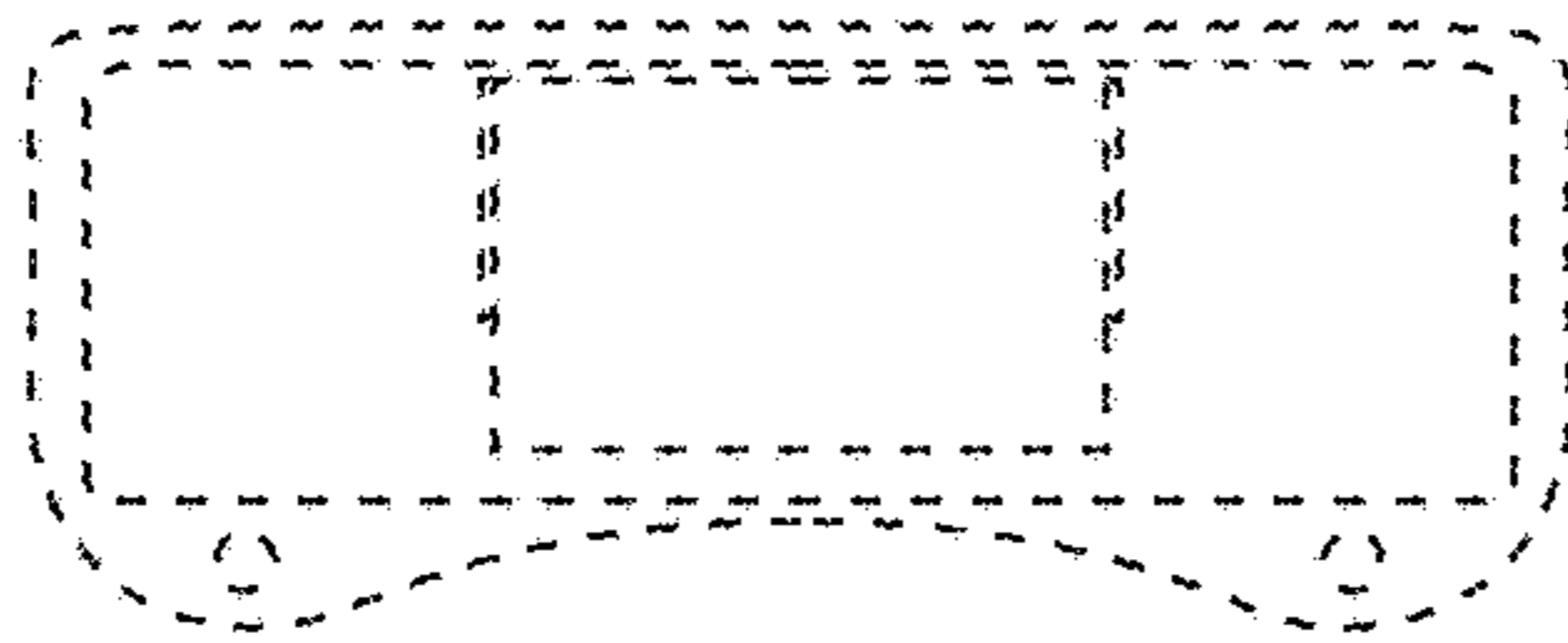


FIG. 7