



US00D863765S

(12) **United States Design Patent**
Eriksson

(10) **Patent No.:** **US D863,765 S**
(45) **Date of Patent:** **** Oct. 22, 2019**

- (54) **LUGGAGE**
- (71) Applicant: **Thule Sweden AB**, Hillerstorp (SE)
- (72) Inventor: **Henrik Eriksson**, Jönköping (SE)
- (73) Assignee: **Thule Sweden AB**, Hillerstorp (SE)
- (**) Term: **15 Years**
- (21) Appl. No.: **29/638,005**
- (22) Filed: **Feb. 23, 2018**
- (51) **LOC (12) Cl.** **03-01**
- (52) **U.S. Cl.**
USPC **D3/318**
- (58) **Field of Classification Search**
USPC D3/273, 285, 289, 318
CPC A45F 5/10; A45F 5/14; A45F 4/02; A45F
3/04
See application file for complete search history.

- D634,544 S * 3/2011 Scicluna D3/318
- D771,946 S * 11/2016 Wu D3/318
- D779,211 S * 2/2017 Diz D3/318
- D795,587 S * 8/2017 Jacob D3/318

* cited by examiner

Primary Examiner — Holly H Baynham
(74) *Attorney, Agent, or Firm* — Sterne, Kessler,
Goldstein & Fox P.L.L.C.

(57) **CLAIM**

The ornamental design for luggage, as shown and described.

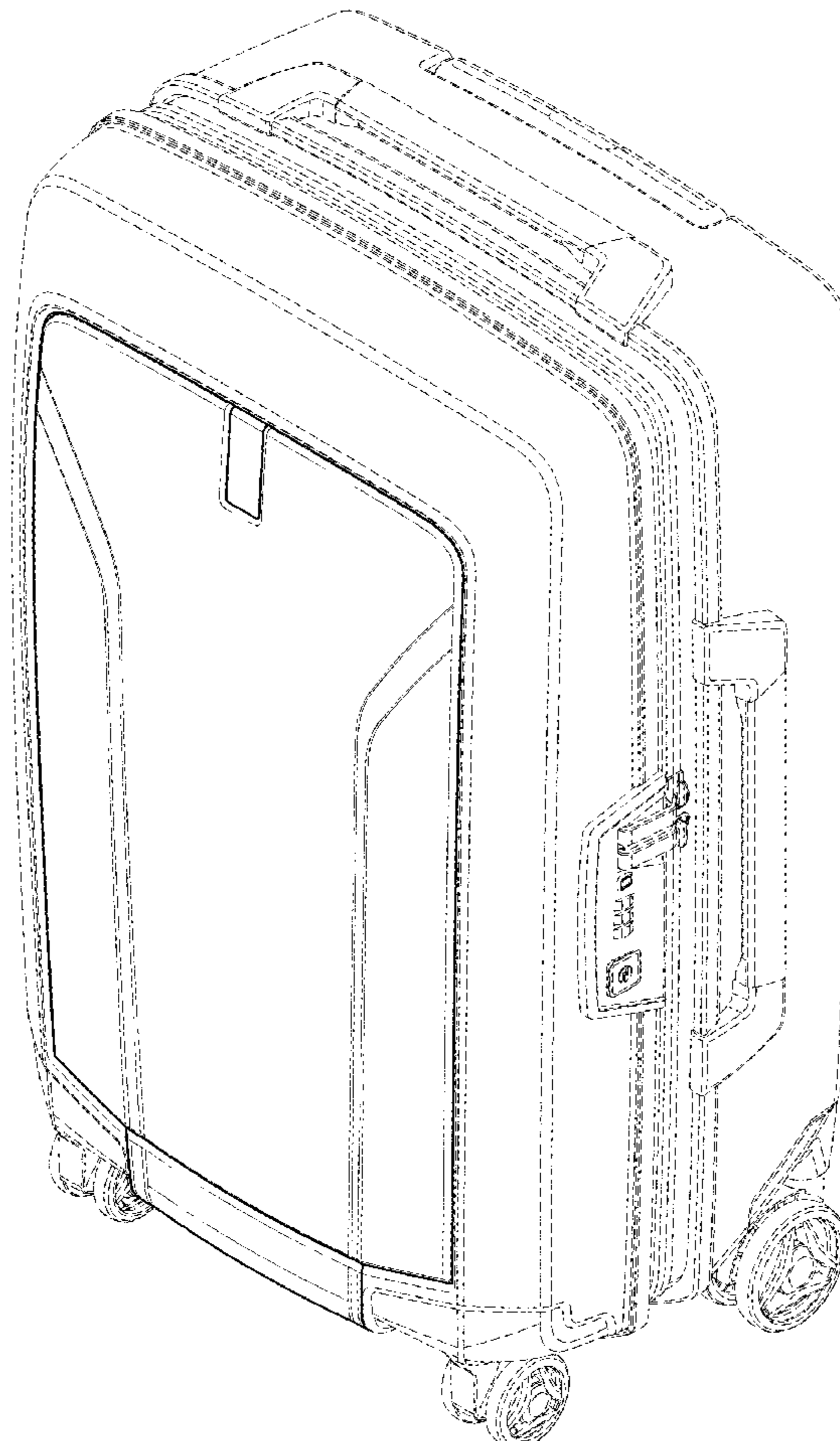
DESCRIPTION

FIG. 1 is a top front perspective view of luggage showing the claimed design;
FIG. 2 is a front view thereof;
FIG. 3 is a rear view thereof;
FIG. 4 is a left side view thereof;
FIG. 5 is a right side view thereof;
FIG. 6 is a top view thereof; and,
FIG. 7 is a bottom view thereof.
The broken lines in the figures show portions of the luggage that form no part of the claimed design.

(56) **References Cited**
U.S. PATENT DOCUMENTS

- D550,964 S * 9/2007 Bettua D3/321
- D634,543 S * 3/2011 Scicluna D3/318

1 Claim, 7 Drawing Sheets



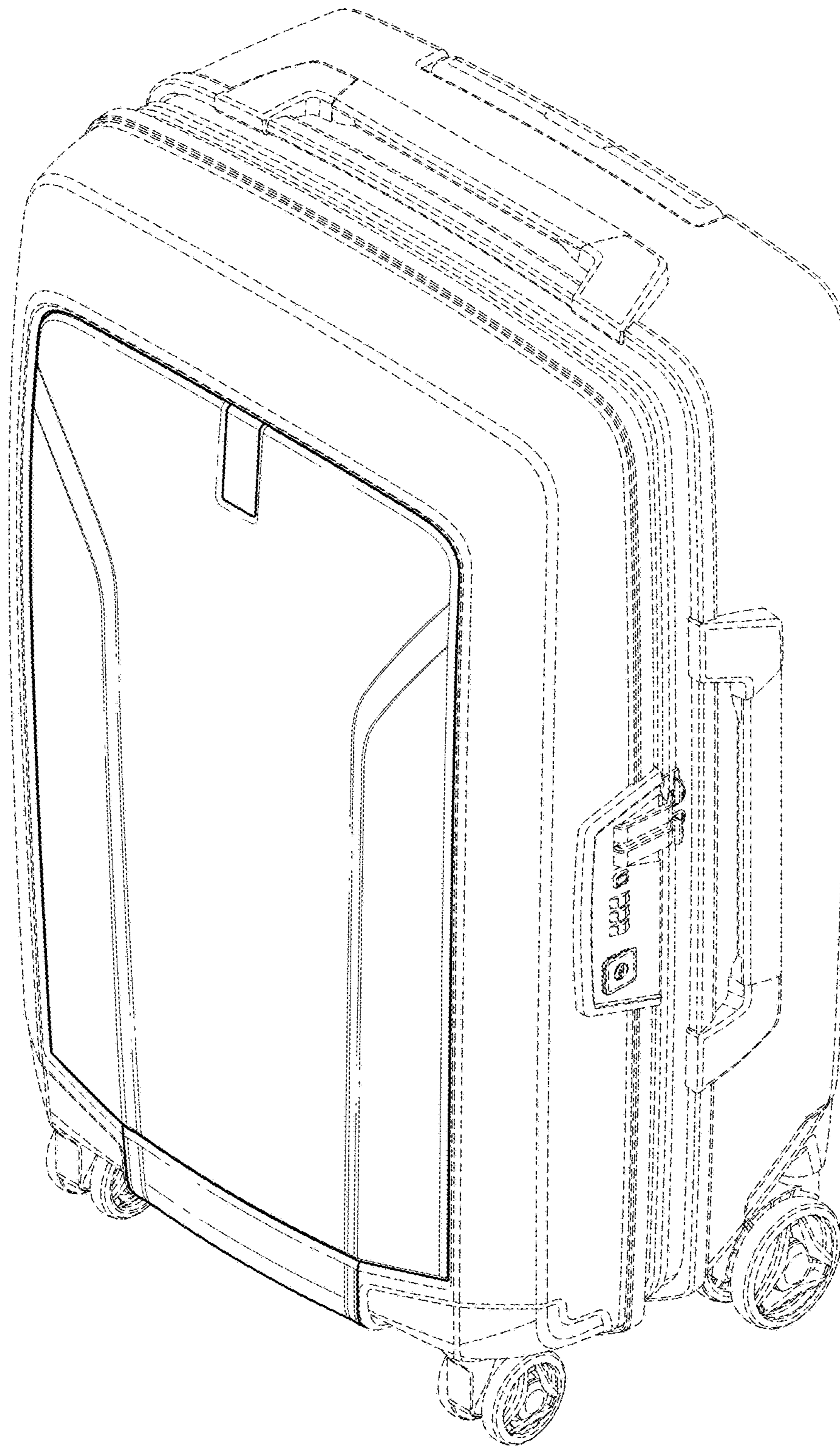


FIG. 1

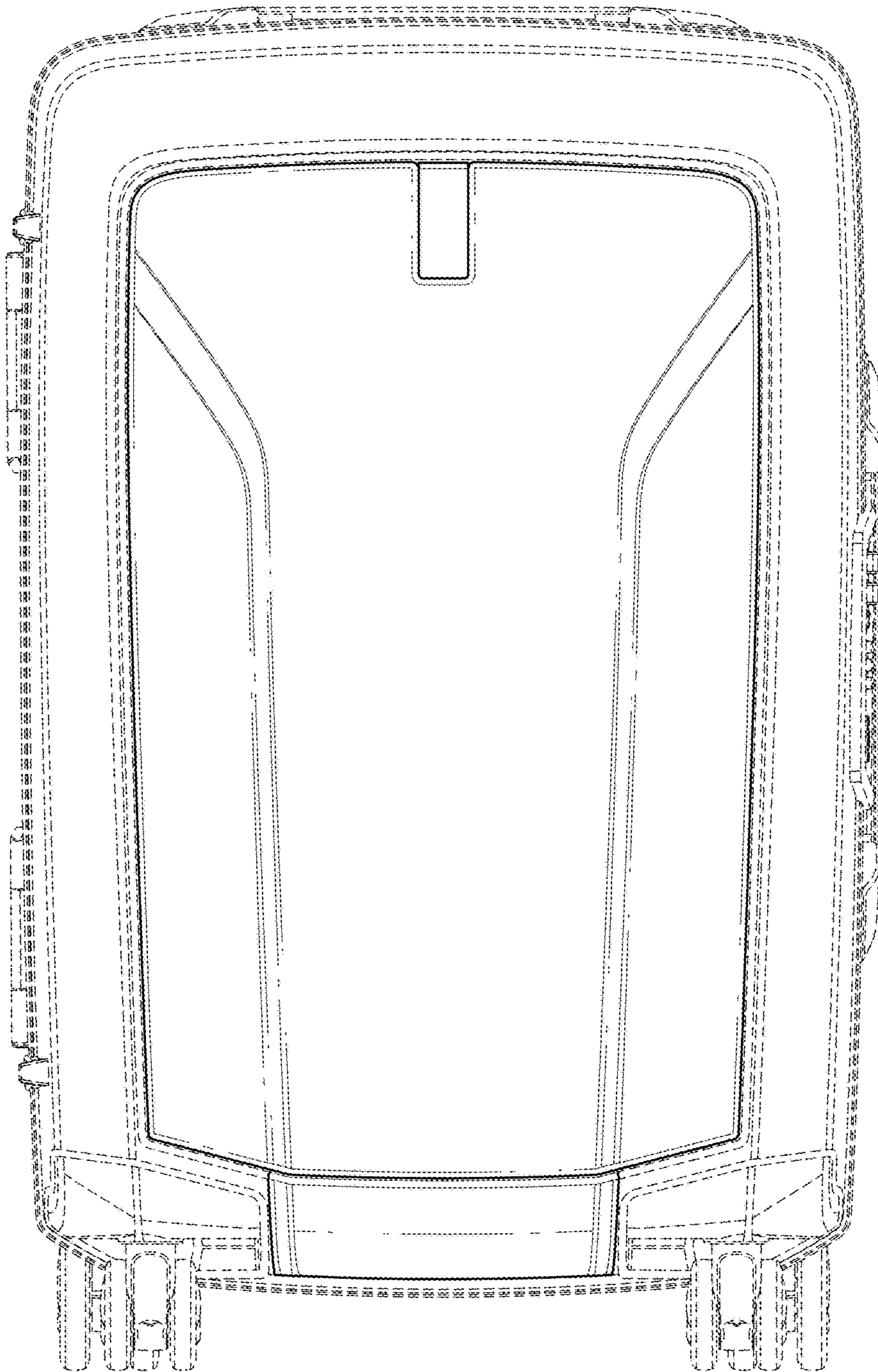


FIG. 2

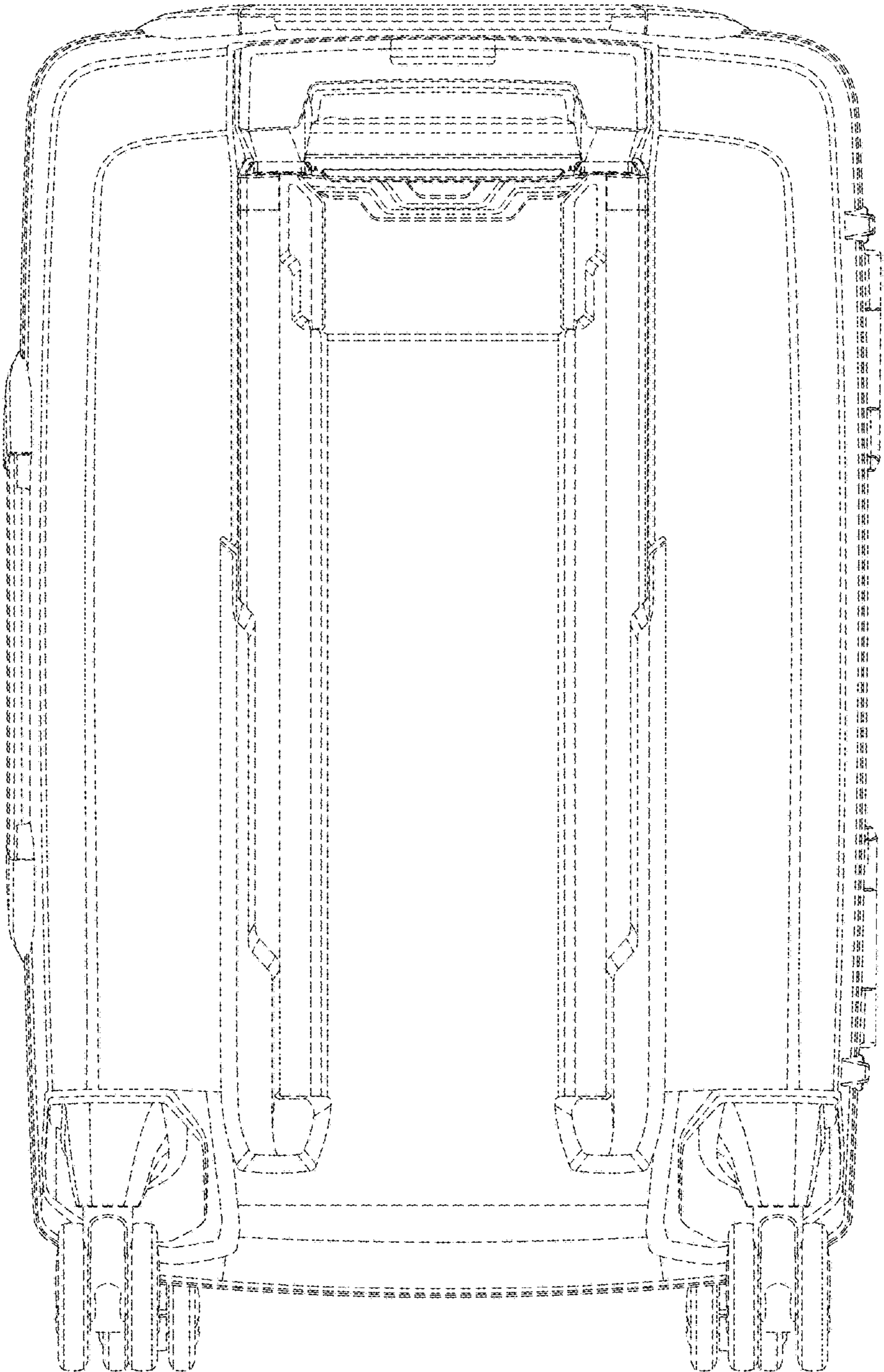


FIG. 3

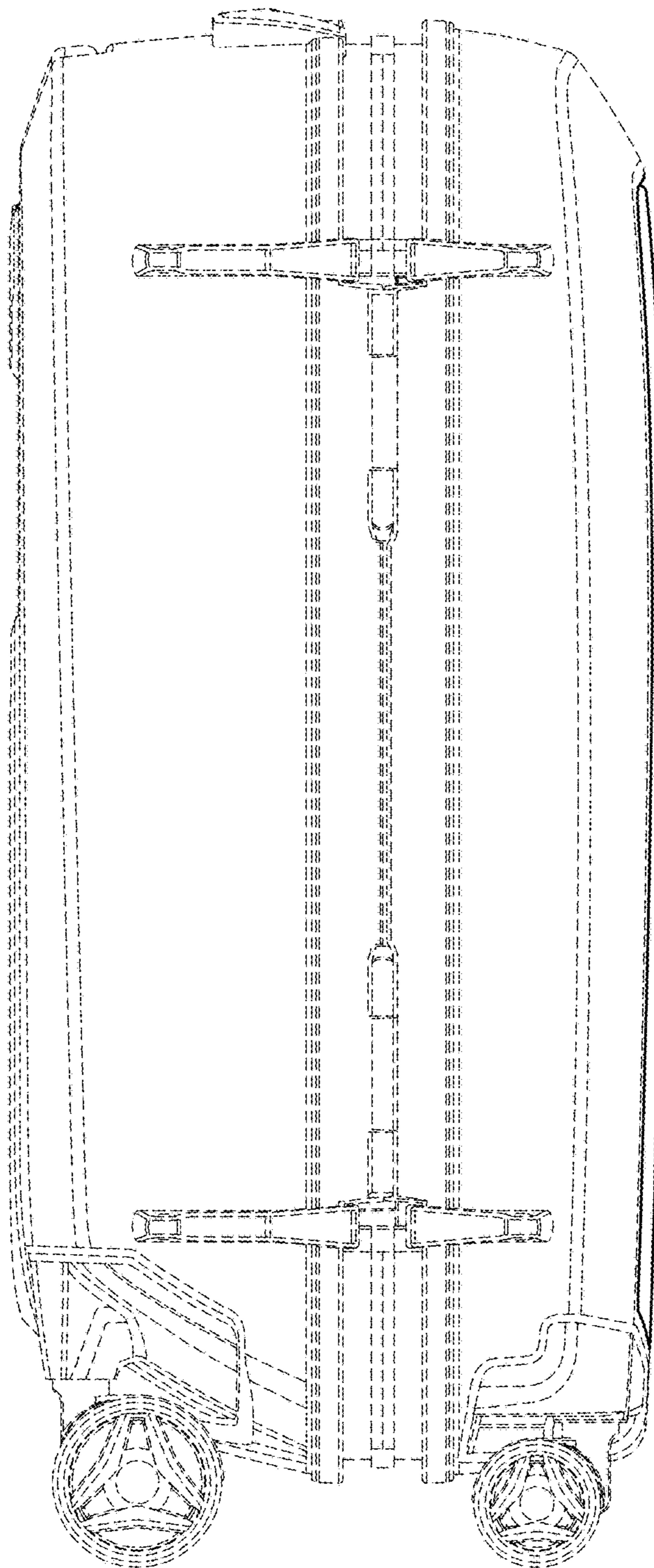


FIG. 4

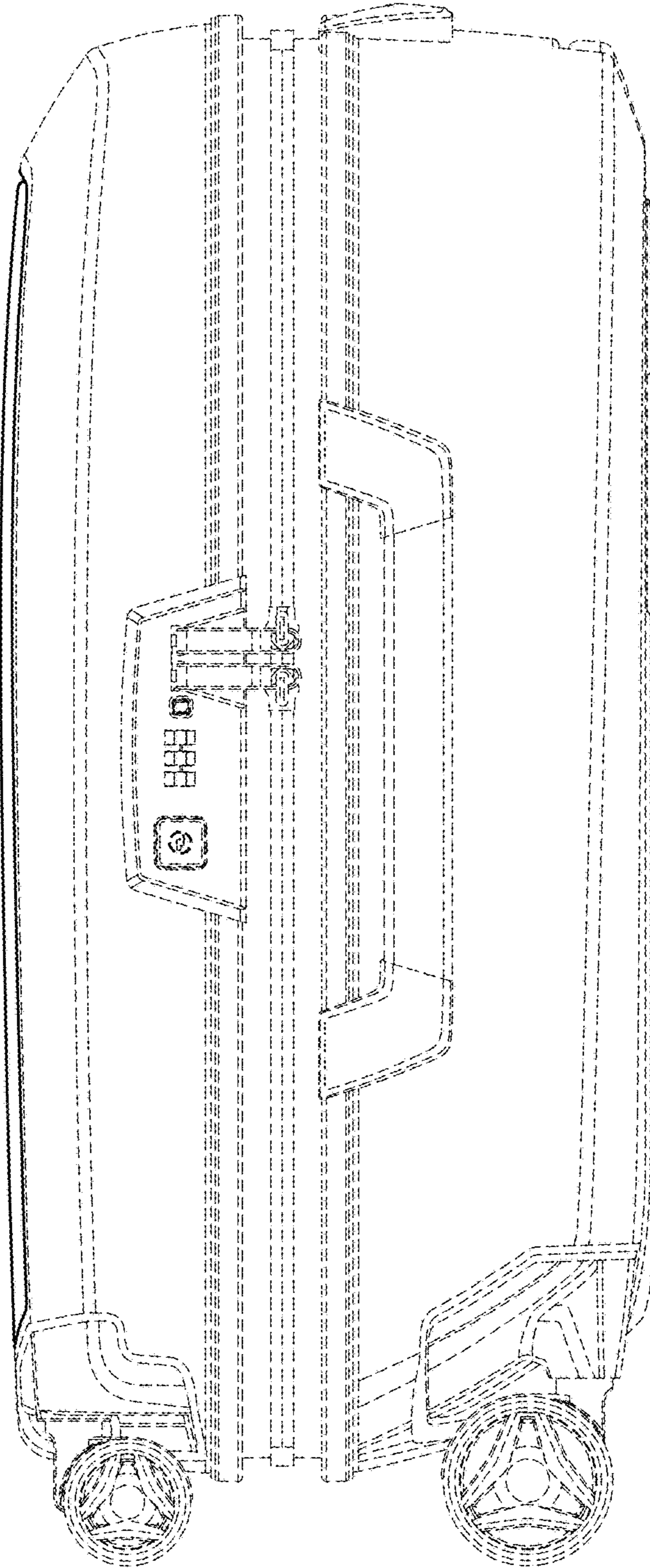


FIG. 5

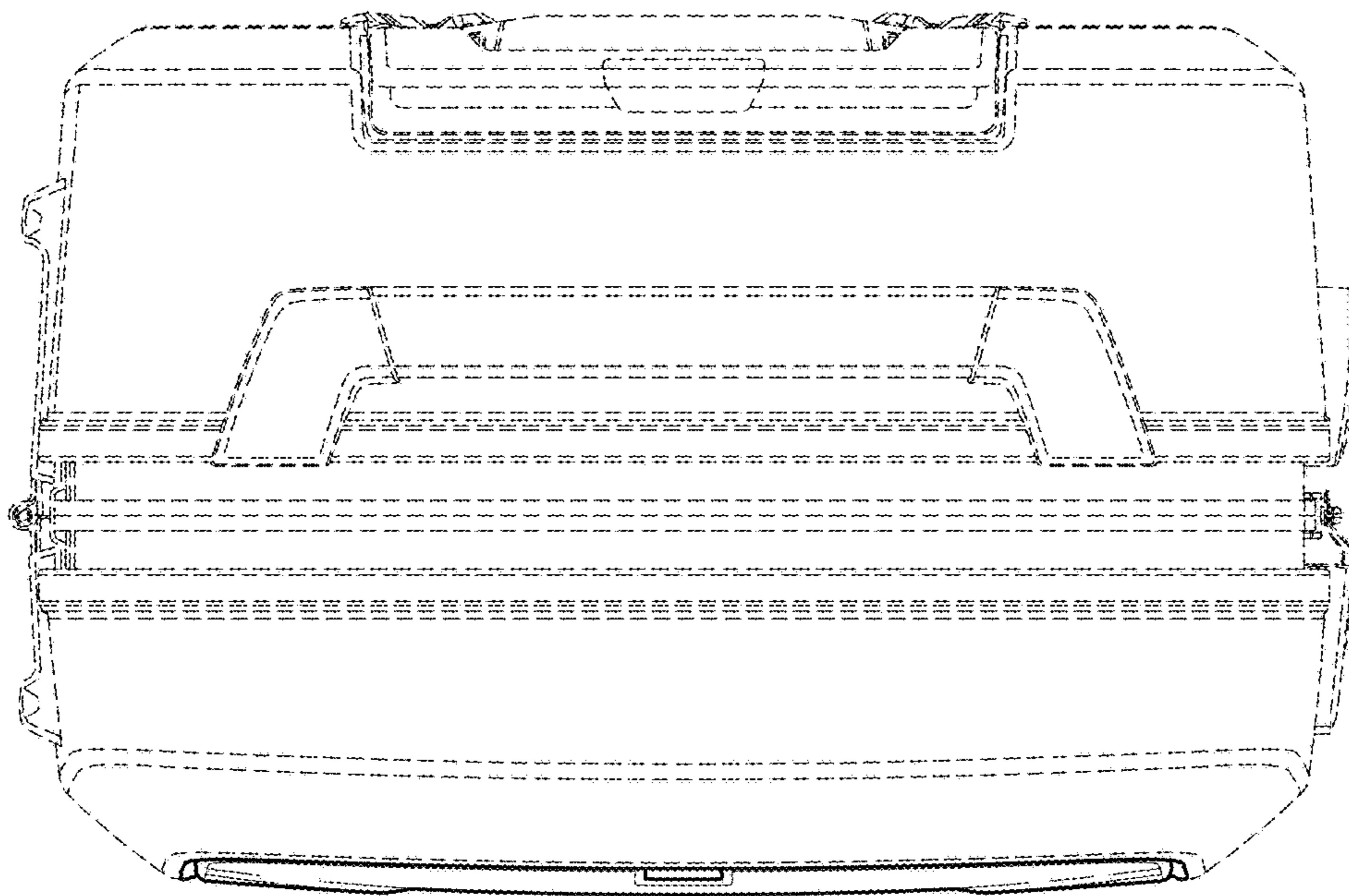


FIG. 6

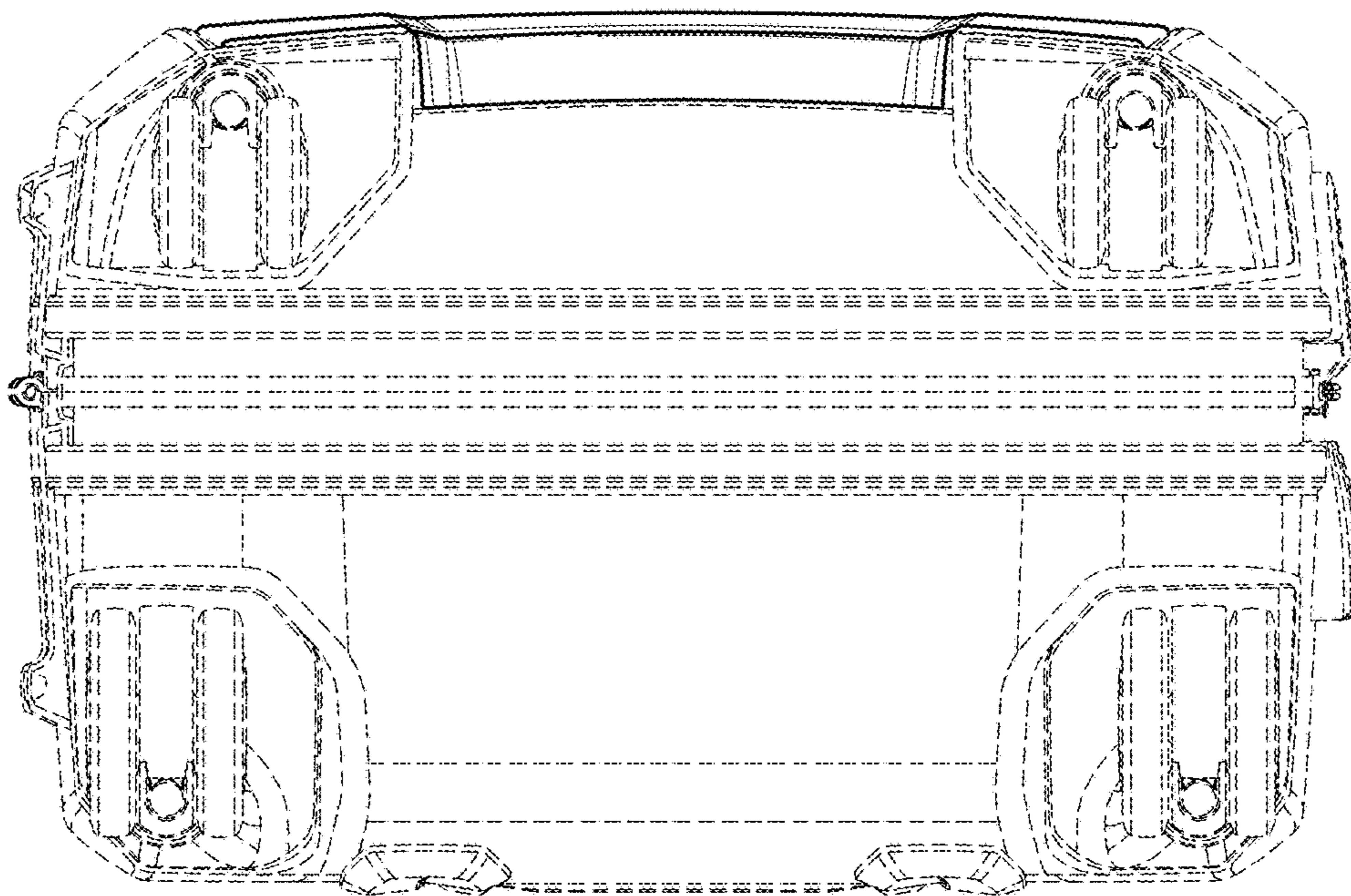


FIG. 7