



US00D863759S

(12) **United States Design Patent** (10) **Patent No.:** **US D863,759 S**
Bloom (45) **Date of Patent:** **** Oct. 22, 2019**

(54) **HAND BAG WITH FINGERPRINT LOCK**

FOREIGN PATENT DOCUMENTS

(71) Applicant: **Rachel Bloom**, Kettering, OH (US)

GB 2458889 7/2009
GB 2547913 A 6/2017

(72) Inventor: **Rachel Bloom**, Kettering, OH (US)

(Continued)

(**) Term: **15 Years**

Primary Examiner — Holly H Baynham

(21) Appl. No.: **29/670,109**

(74) *Attorney, Agent, or Firm* — R. William Graham

(22) Filed: **Nov. 13, 2018**

(57) **CLAIM**

The ornamental design for a hand bag with fingerprint lock.

DESCRIPTION

Related U.S. Application Data

(63) Continuation-in-part of application No. 29/665,251, filed on Oct. 1, 2018.

(51) **LOC (12) Cl.** **03-01**

(52) **U.S. Cl.**
USPC **D3/245**

(58) **Field of Classification Search**
USPC D3/232–233, 240–243, 245–246
CPC A45C 1/024; A45C 3/06
See application file for complete search history.

(56) **References Cited**

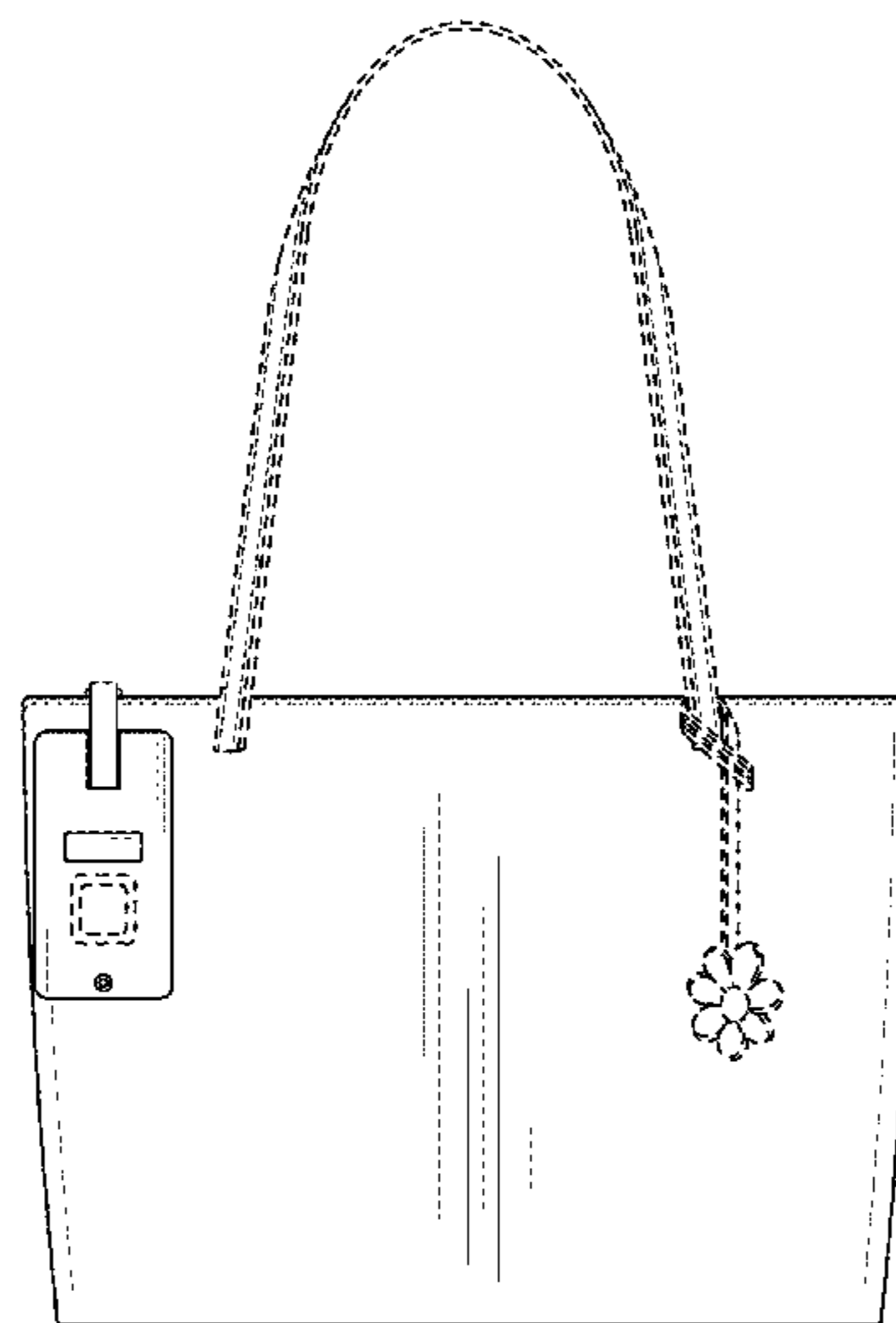
U.S. PATENT DOCUMENTS

| | | | | |
|--------------|-----|---------|---------------|--------|
| 698,067 | A | 4/1902 | Smith | |
| D99,436 | S * | 4/1936 | Hawes | D3/246 |
| D155,608 | S * | 10/1949 | Hilf | D3/240 |
| D326,561 | S * | 6/1992 | Imbert | D3/242 |
| 5,138,468 | A | 8/1992 | Baebanell | |
| 5,963,657 | A | 10/1999 | Bowker et al. | |
| 6,374,652 | B1 | 4/2002 | Hwang | |
| 6,401,501 | B1 | 6/2002 | Kajuch et al. | |
| 6,865,913 | B2 | 3/2005 | Yamagishi | |
| 7,043,060 | B2 | 5/2006 | Quintana | |
| D730,043 | S * | 5/2015 | Morelli | D3/245 |
| 2002/0034321 | A1 | 3/2002 | Saito | |
| 2004/0025550 | A1 | 2/2004 | Yamagashi | |
| 2004/0255623 | A1 | 12/2004 | Sun et al. | |

(Continued)

FIG. 1 is a front view of a hand bag with fingerprint lock showing my new design;
 FIG. 2 is a back view of a hand bag with fingerprint lock showing my new design;
 FIG. 3 is a left side elevation end view of a hand bag with fingerprint lock showing my new design;
 FIG. 4 is a right side of a hand bag with fingerprint lock showing my new design;
 FIG. 5 is a top view of a hand bag with fingerprint lock showing my new design;
 FIG. 6 is a bottom view of a hand bag with fingerprint lock showing my new design;
 FIG. 7 is a front view of a hand bag with fingerprint lock showing my new design;
 FIG. 8 is a back view of a hand bag with fingerprint lock showing my new design;
 FIG. 9 is a left side elevation end view of a hand bag with fingerprint lock showing my new design;
 FIG. 10 is a right side of a hand bag with fingerprint lock showing my new design;
 FIG. 11 is a top view of a hand bag with fingerprint lock showing my new design; and,
 FIG. 12 is a bottom view of a hand bag with fingerprint lock showing my new design.
 The broken lines shown in the drawings do not form part of the claimed design.

1 Claim, 10 Drawing Sheets



(56)

References Cited

U.S. PATENT DOCUMENTS

2008/0012686 A1 1/2008 Bonestroo
2009/0226050 A1 9/2009 Hughes
2016/0360351 A1 12/2016 Cabouli
2017/0198497 A1 6/2017 Tsai

FOREIGN PATENT DOCUMENTS

GB 2531937 11/2017
WO WO2007101292 9/2007
WO WO2015121630 8/2015

* cited by examiner

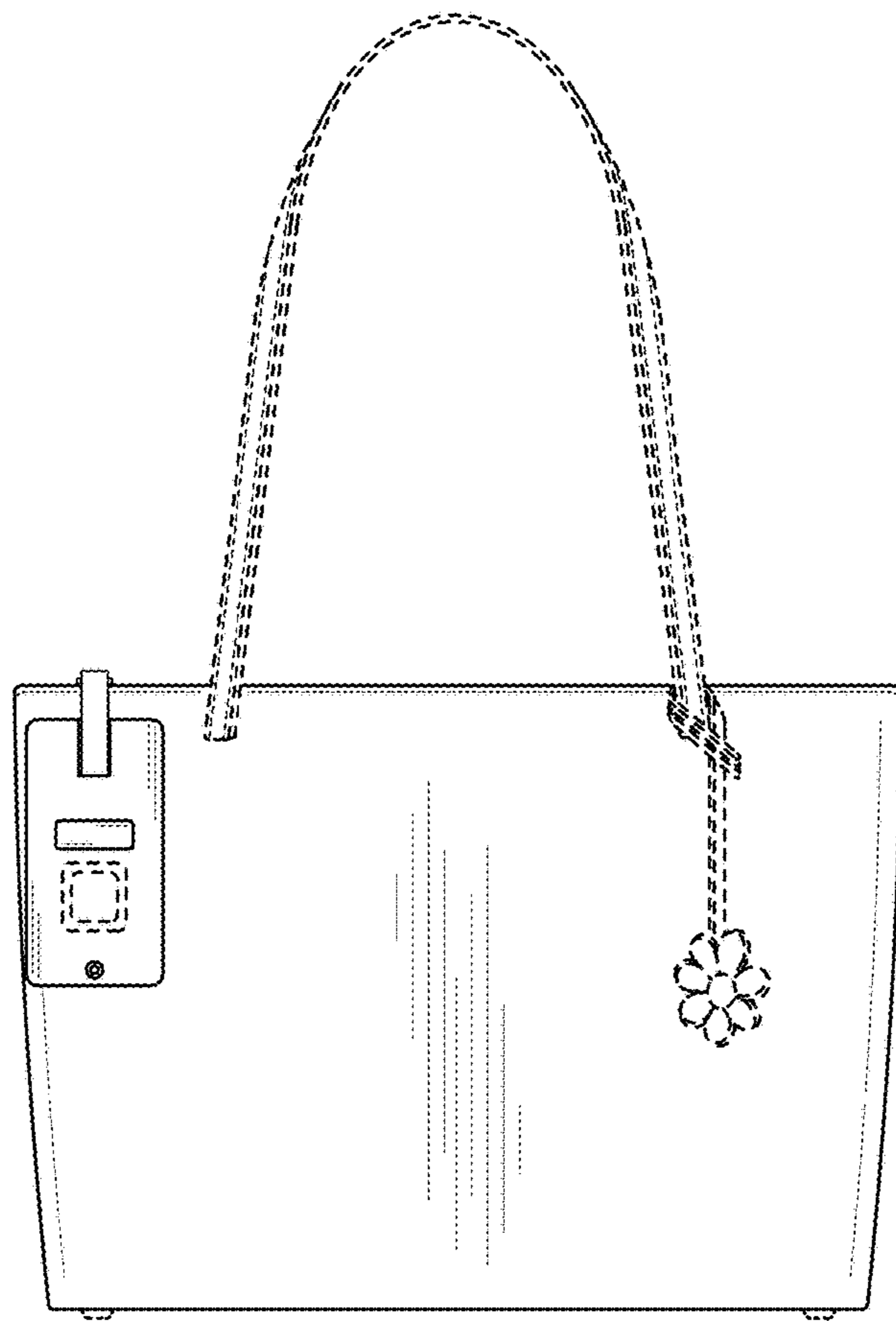


FIG. 1



FIG. 2

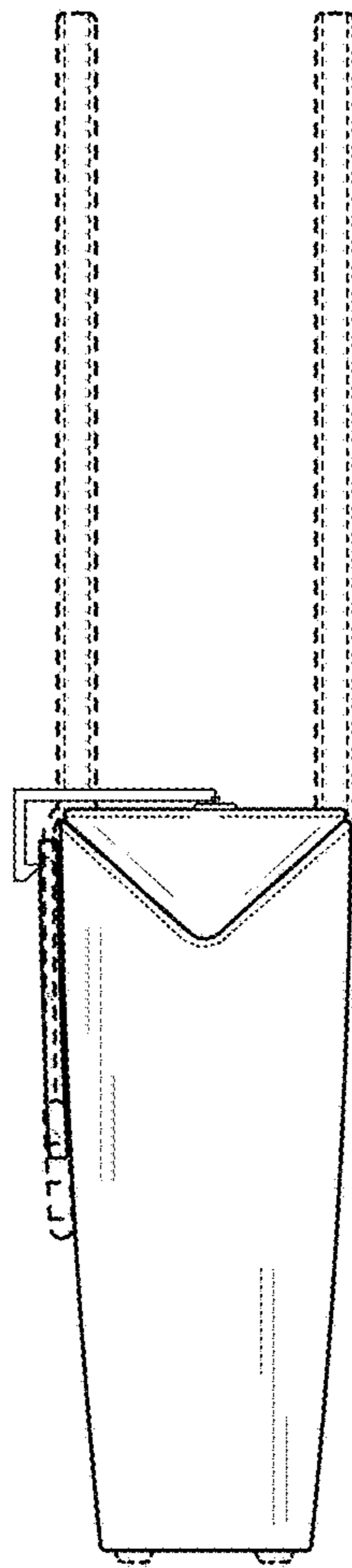


FIG. 3

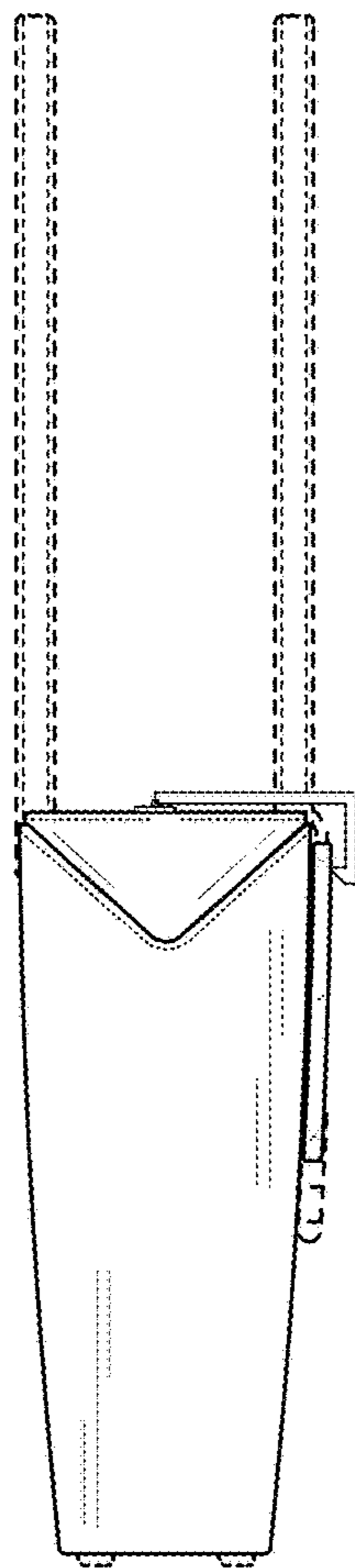


FIG. 4

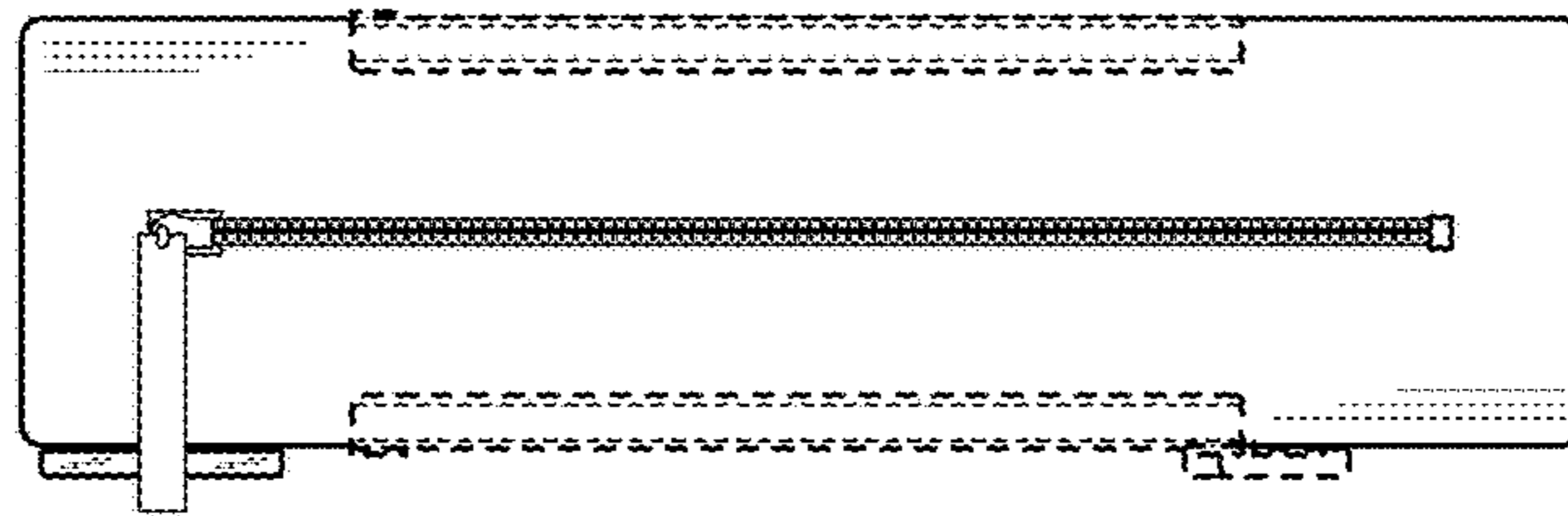


FIG. 5

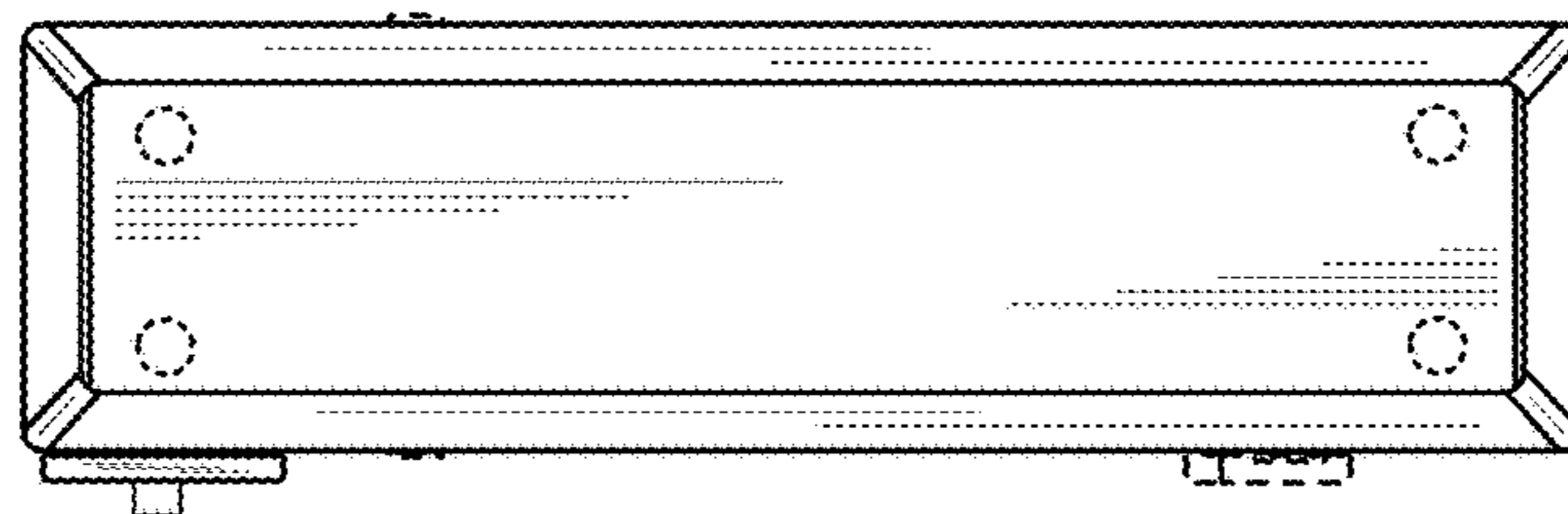


FIG. 6

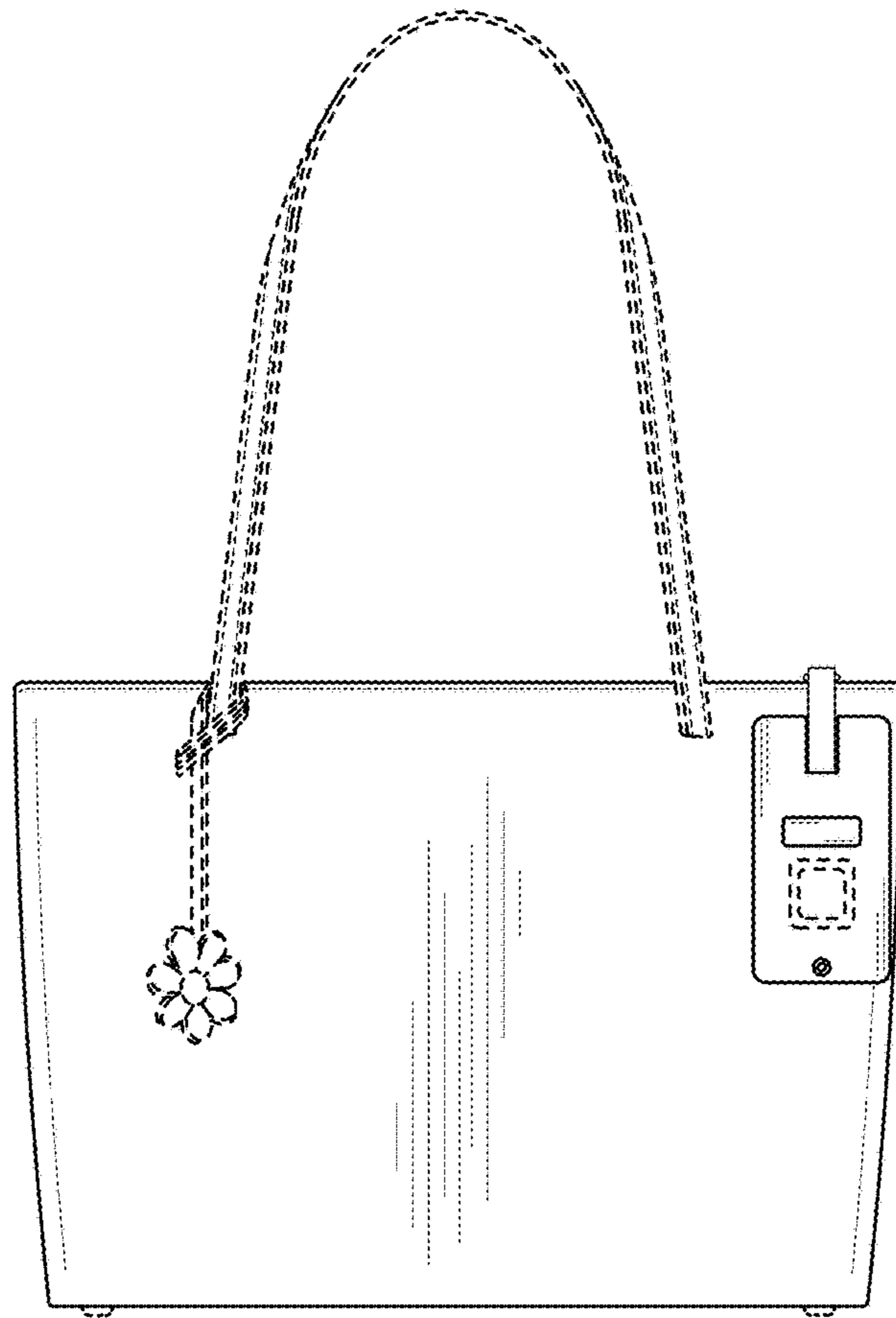


FIG. 7



FIG. 8

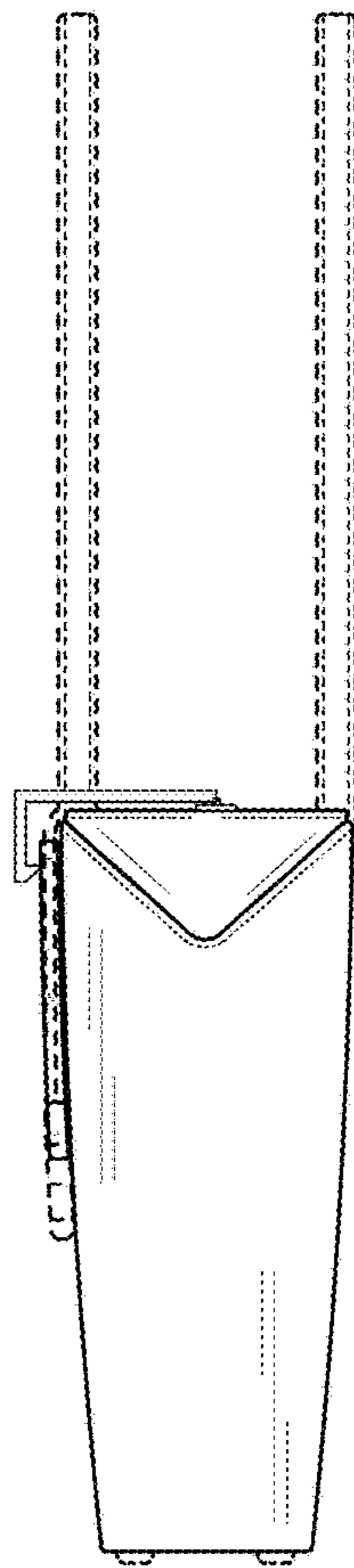


FIG. 9

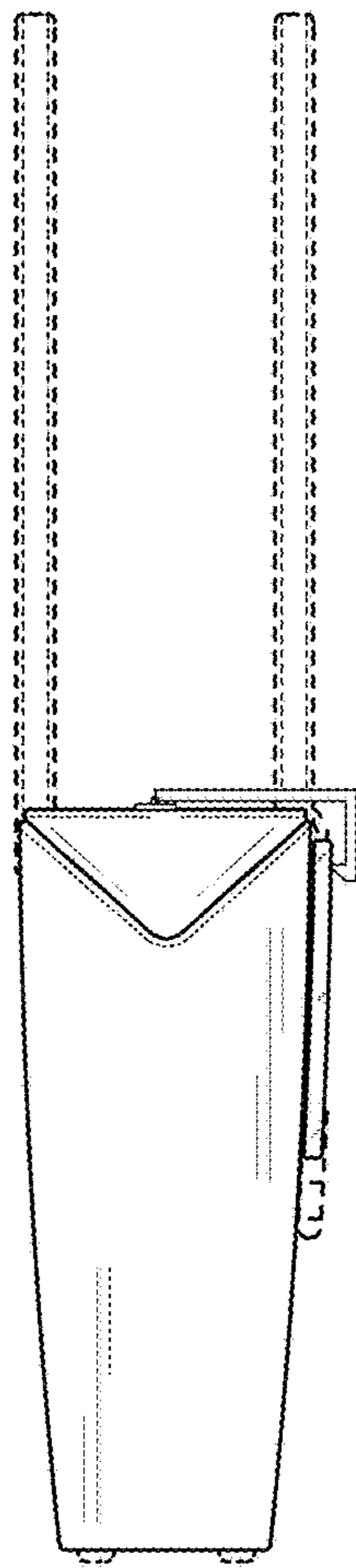


FIG. 10

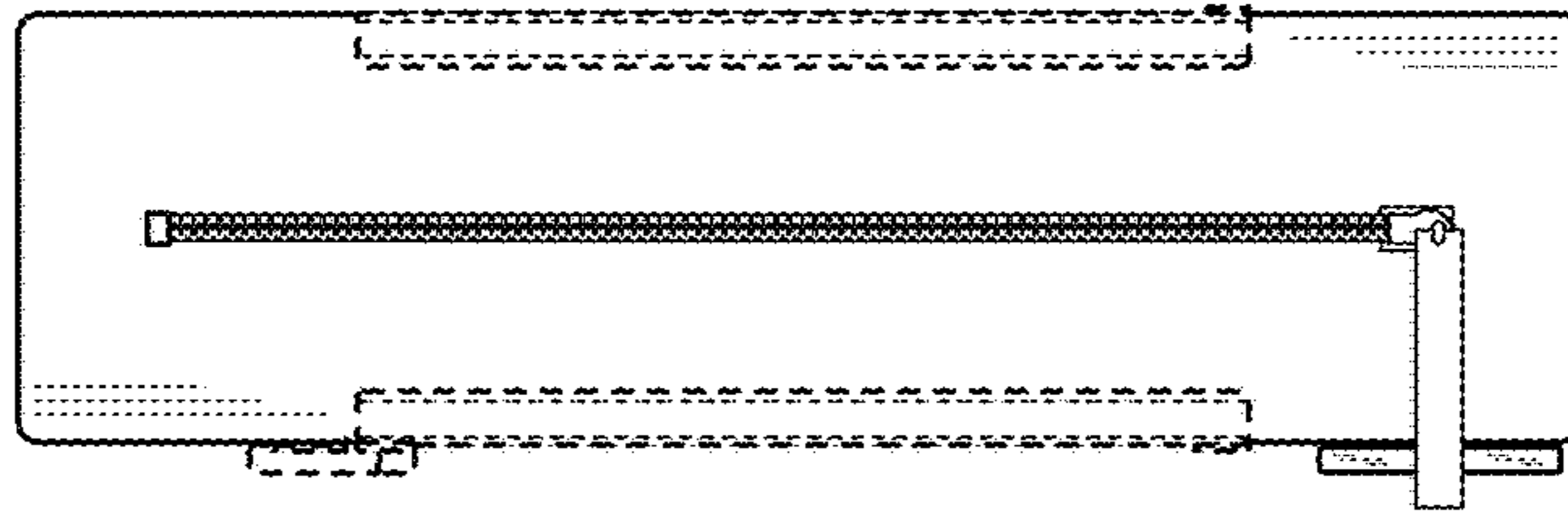


FIG. 11

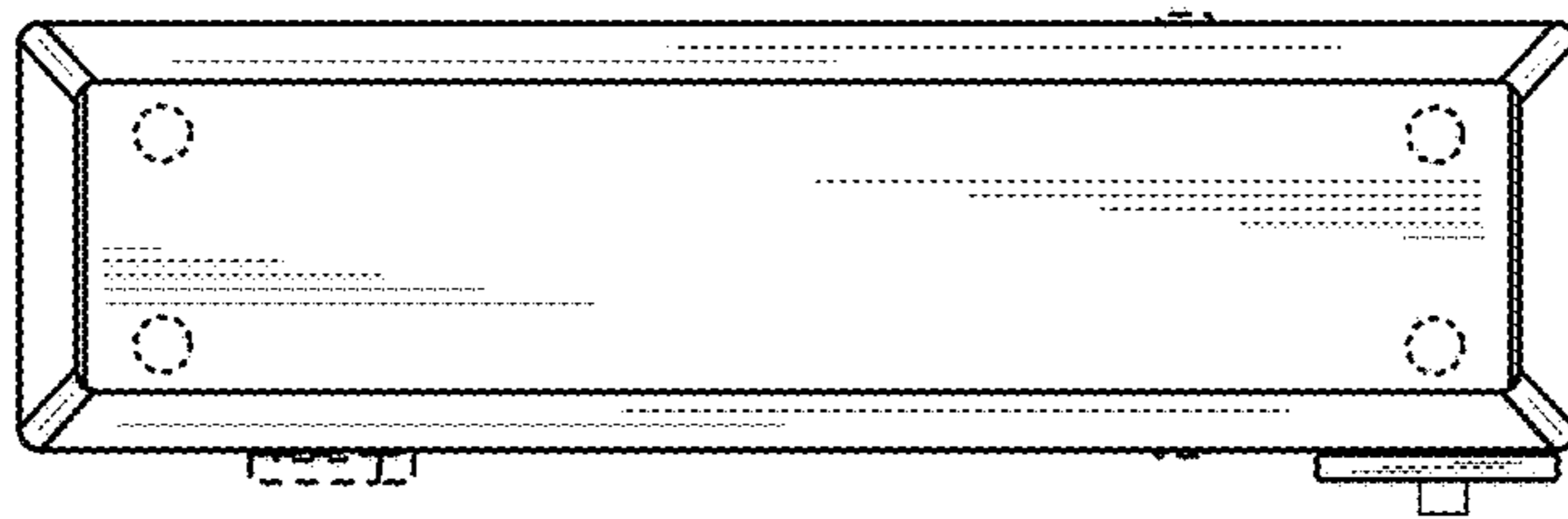


FIG. 12