



US00D863757S

(12) **United States Design Patent**
Li

(10) **Patent No.:** **US D863,757 S**

(45) **Date of Patent:** **** Oct. 22, 2019**

- (54) **BAG**
- (71) Applicant: **Shenzhen Sitongge Technology Co., Ltd.**, Shenzhen (CN)
- (72) Inventor: **Cong Li**, Shenzhen (CN)
- (**) Term: **15 Years**
- (21) Appl. No.: **29/661,080**
- (22) Filed: **Aug. 24, 2018**
- (51) **LOC (12) Cl.** **03-01**
- (52) **U.S. Cl.**
USPC **D3/226**
- (58) **Field of Classification Search**
USPC D3/215, 221, 224, 226, 228; 224/219, 224/222, 267, 269, 236, 240-242, 224/245-246, 250-251, 253, 578-579, 224/660, 674, 677, 680, 683-684, 901, 224/904, 914, 919
CPC ... A01K 97/06; A45F 3/00; A45F 5/00; A45F 5/021; A45F 2003/144; A45F 2200/05; A41D 13/04; A41D 13/05; A45C 11/00; A45C 11/22; A45C 15/00
See application file for complete search history.

D395,163 S * 6/1998 Huang D3/226
 D793,720 S * 8/2017 Tien D3/226

* cited by examiner

Primary Examiner — Catherine R Oliver-Garcia

(57) **CLAIM**

The ornamental design for a bag, as shown and described.

DESCRIPTION

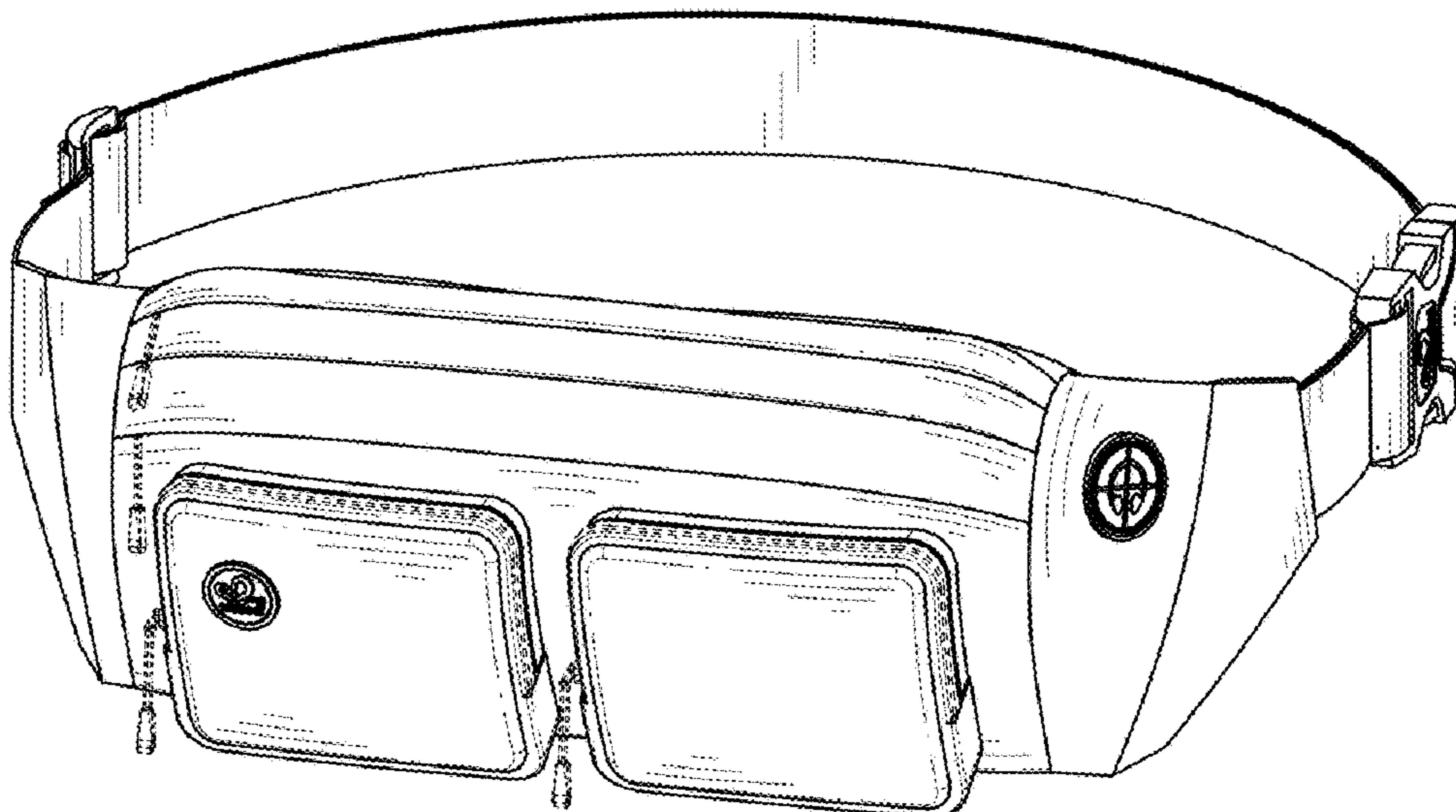
FIG. 1 is a front, top and side perspective view of a bag showing the new design;
 FIG. 2 is a bottom, rear and side perspective view thereof;
 FIG. 3 is a front elevational view thereof;
 FIG. 4 is a rear elevational view thereof;
 FIG. 5 is a left side elevational view thereof;
 FIG. 6 is a right side elevational view thereof;
 FIG. 7 is a top plan view thereof; and,
 FIG. 8 is a bottom plan view thereof.
 The broken lines immediately adjacent to the claimed portions are boundaries, all other broken lines are environmental structures; all the broken lines form no part of the claimed design.

(56) **References Cited**

U.S. PATENT DOCUMENTS

D334,471 S * 4/1993 Yerby D3/226

1 Claim, 8 Drawing Sheets



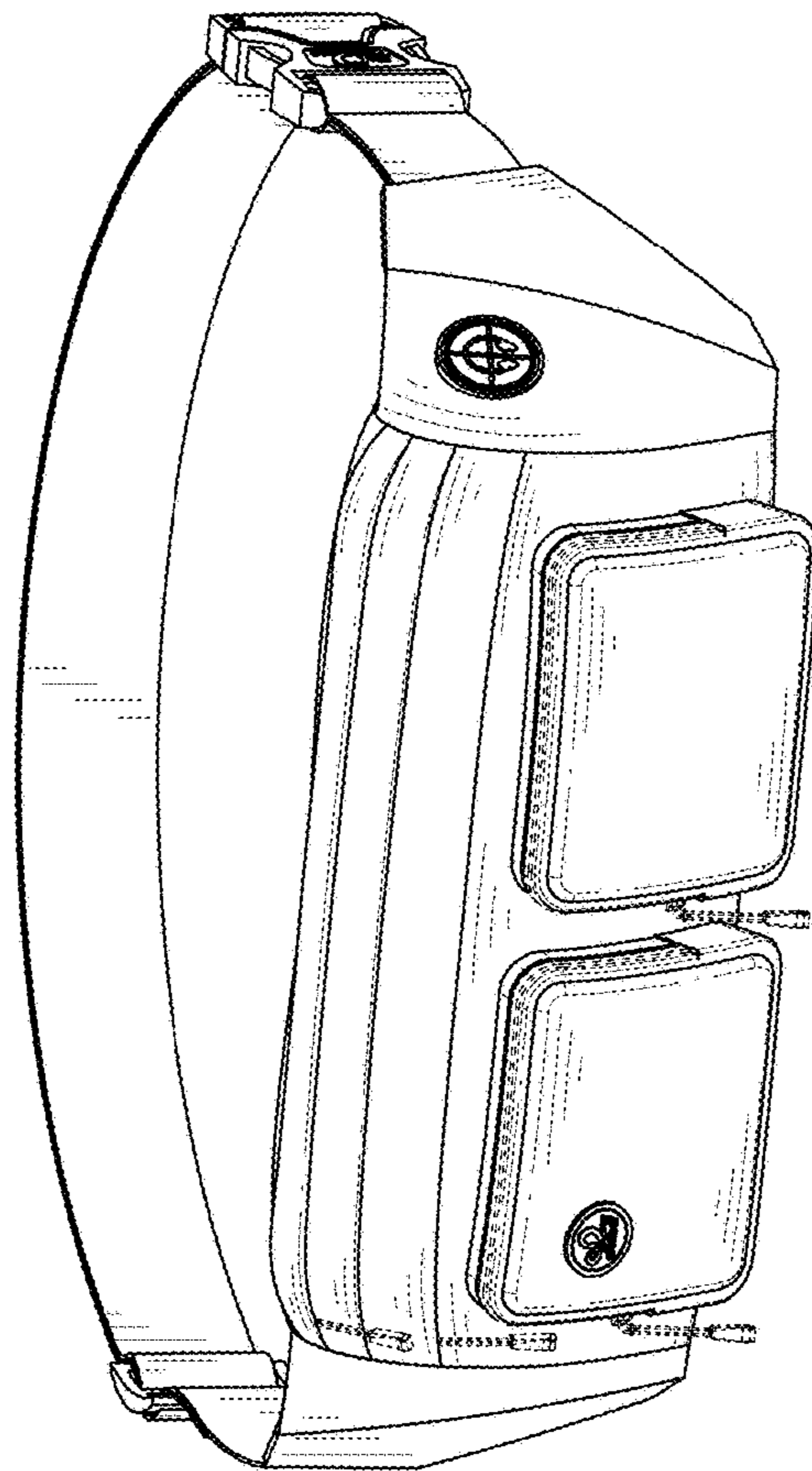


FIG. 1

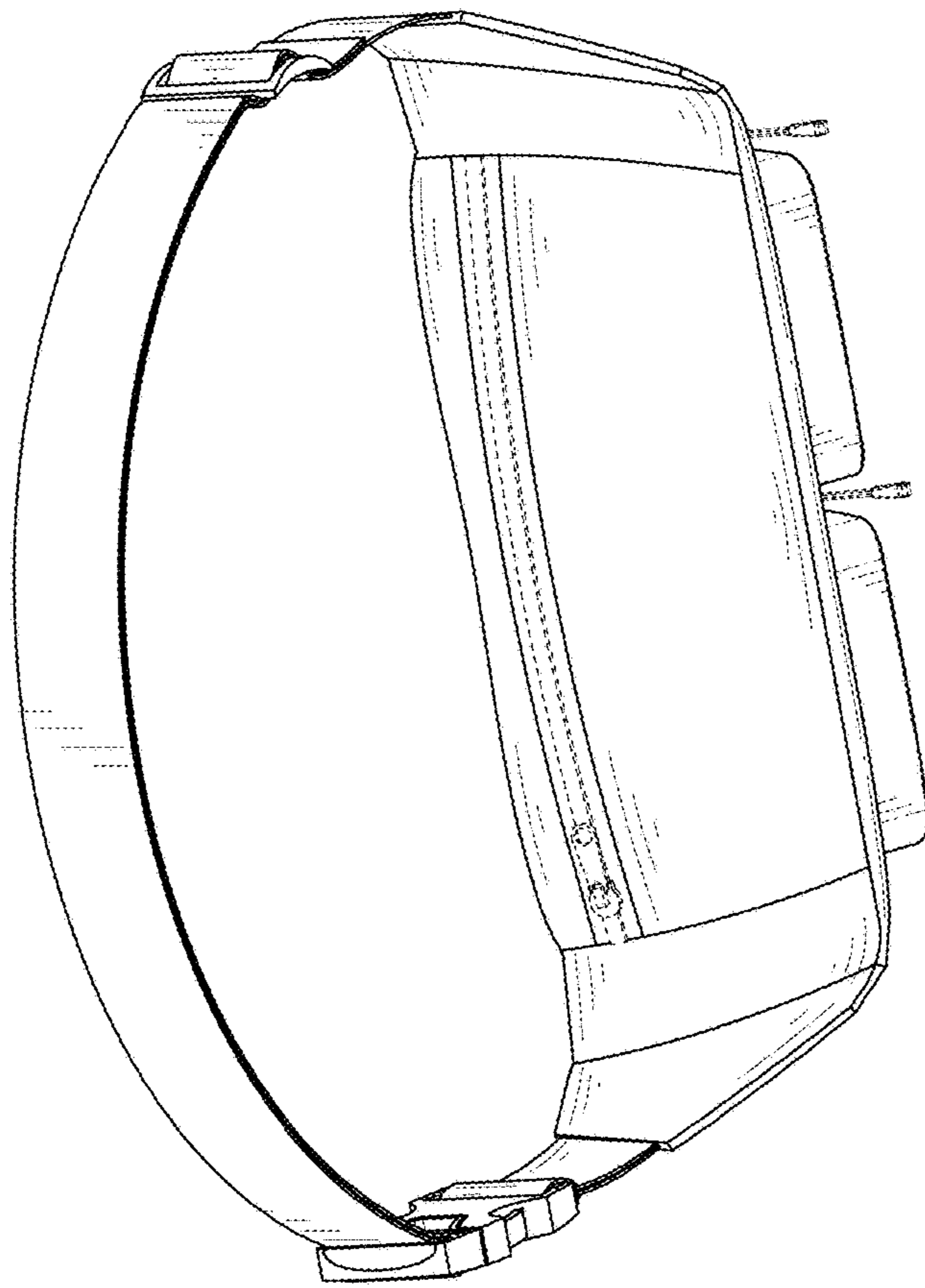


FIG. 2

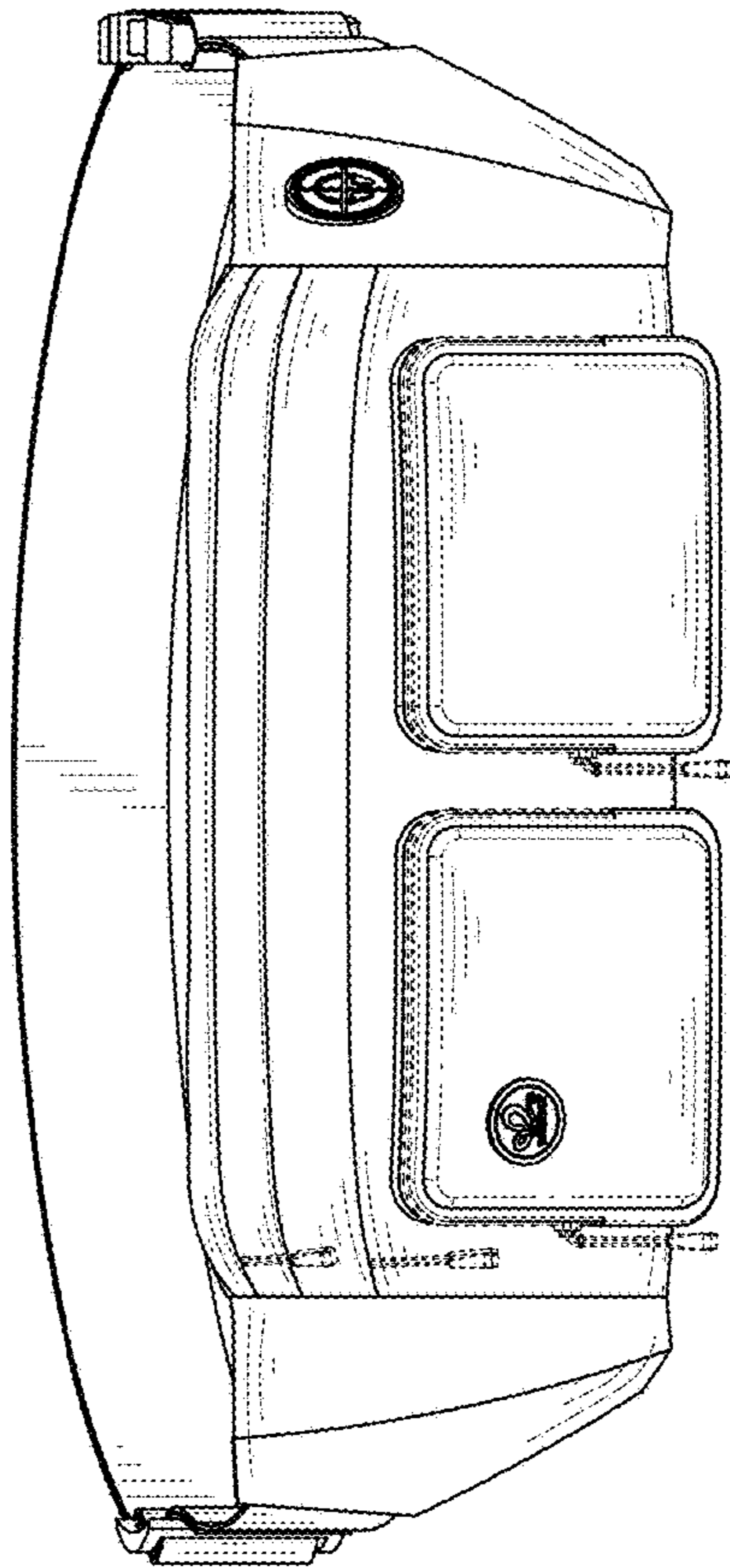


FIG. 3

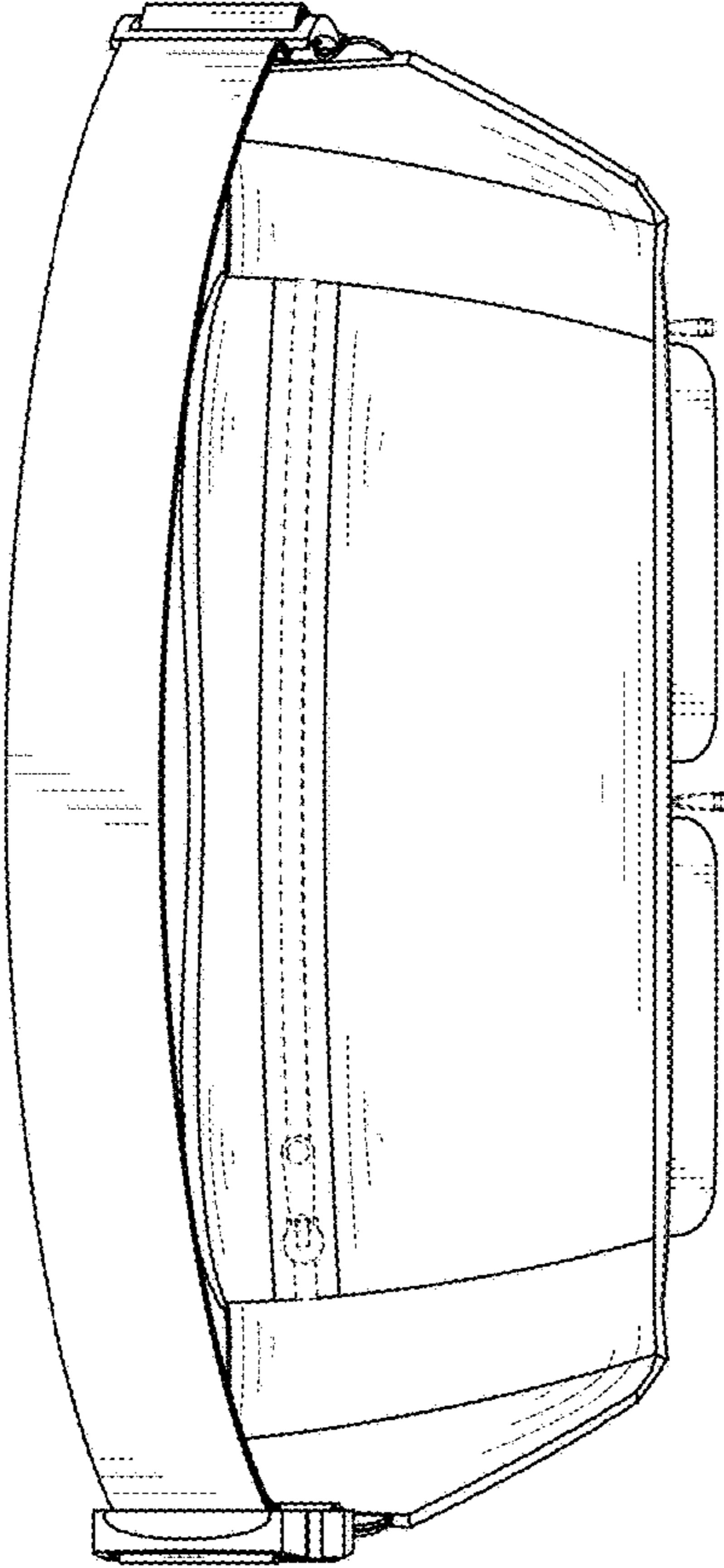


FIG. 4

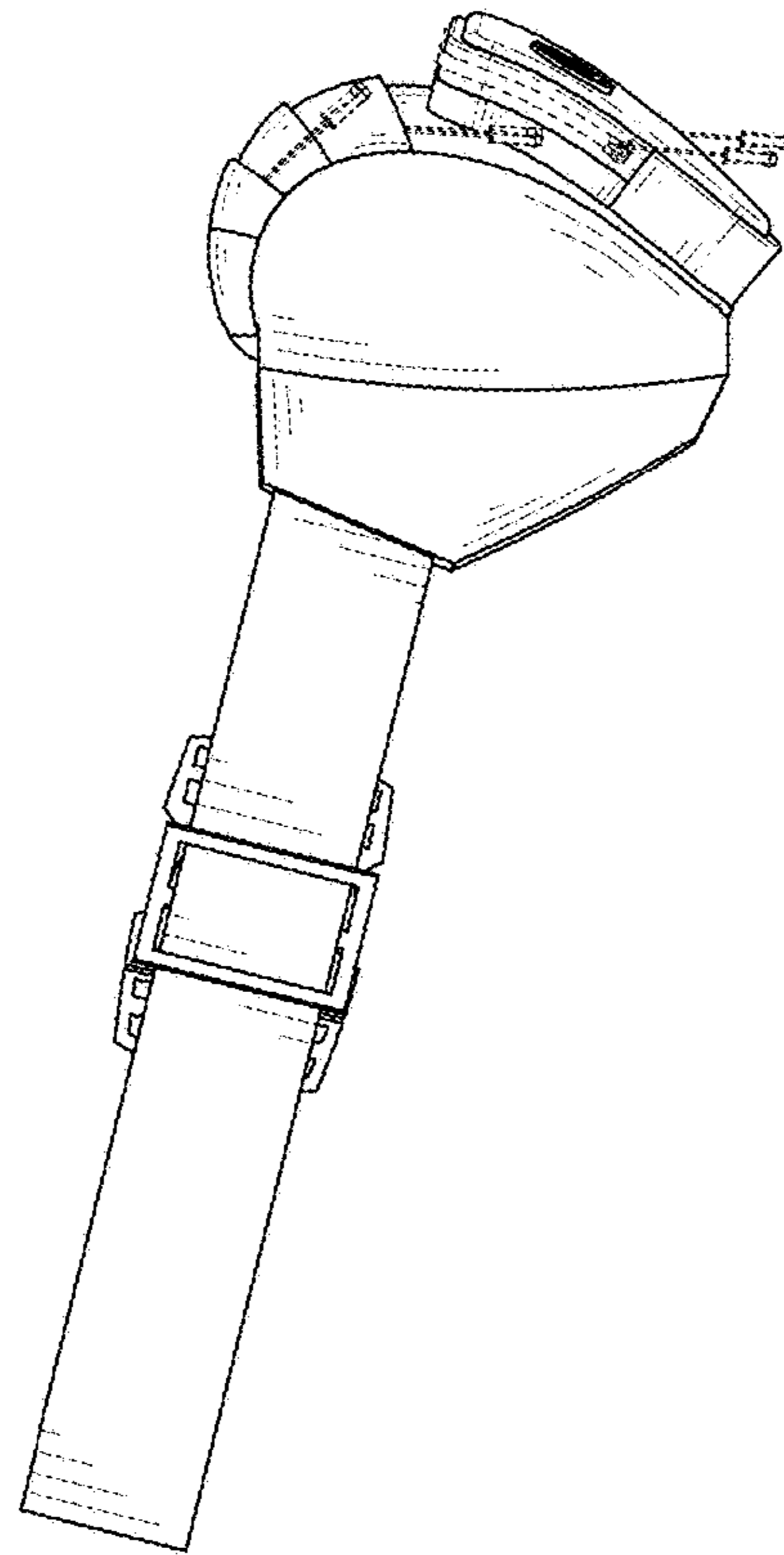


FIG. 5

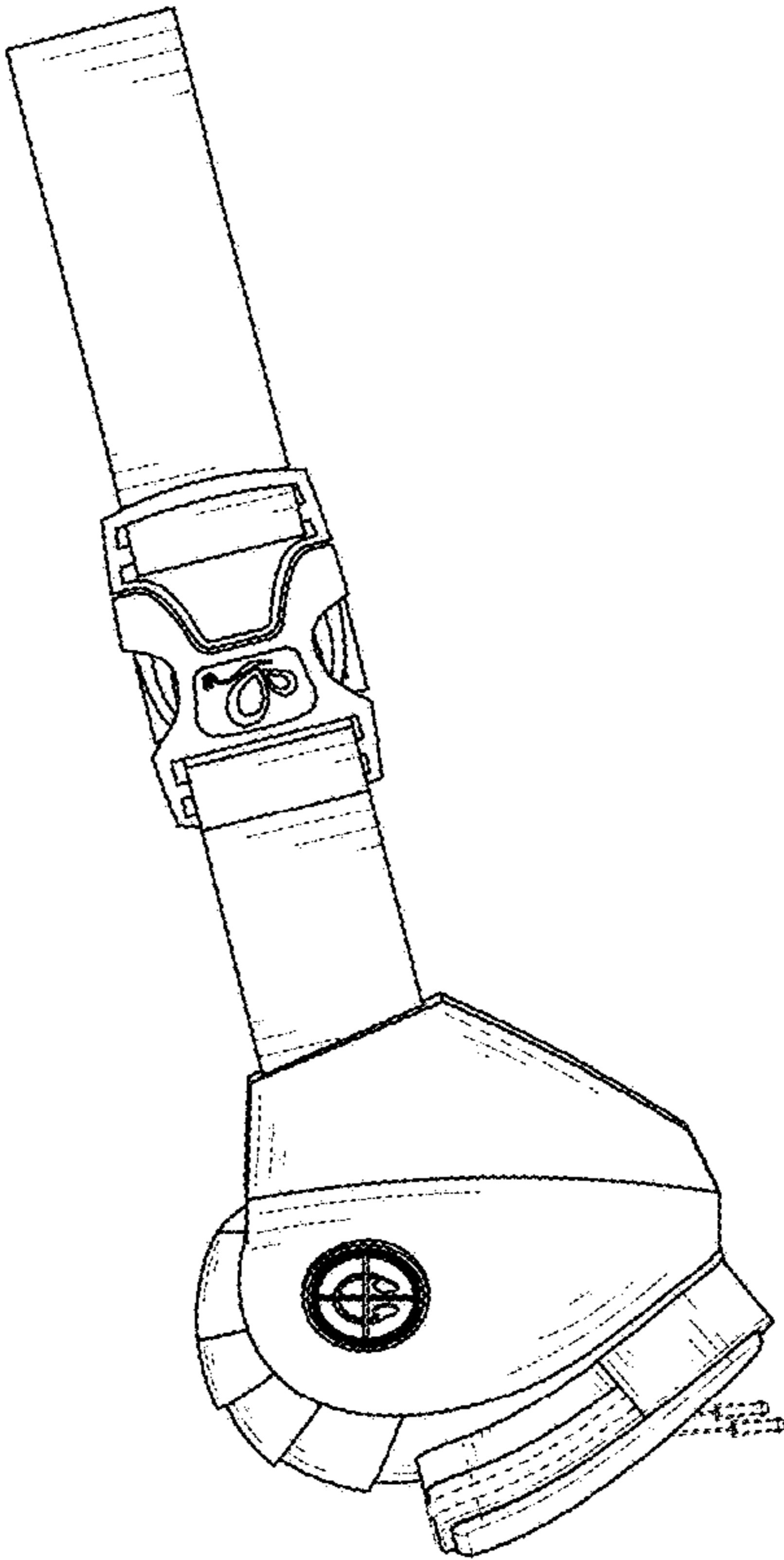


FIG. 6

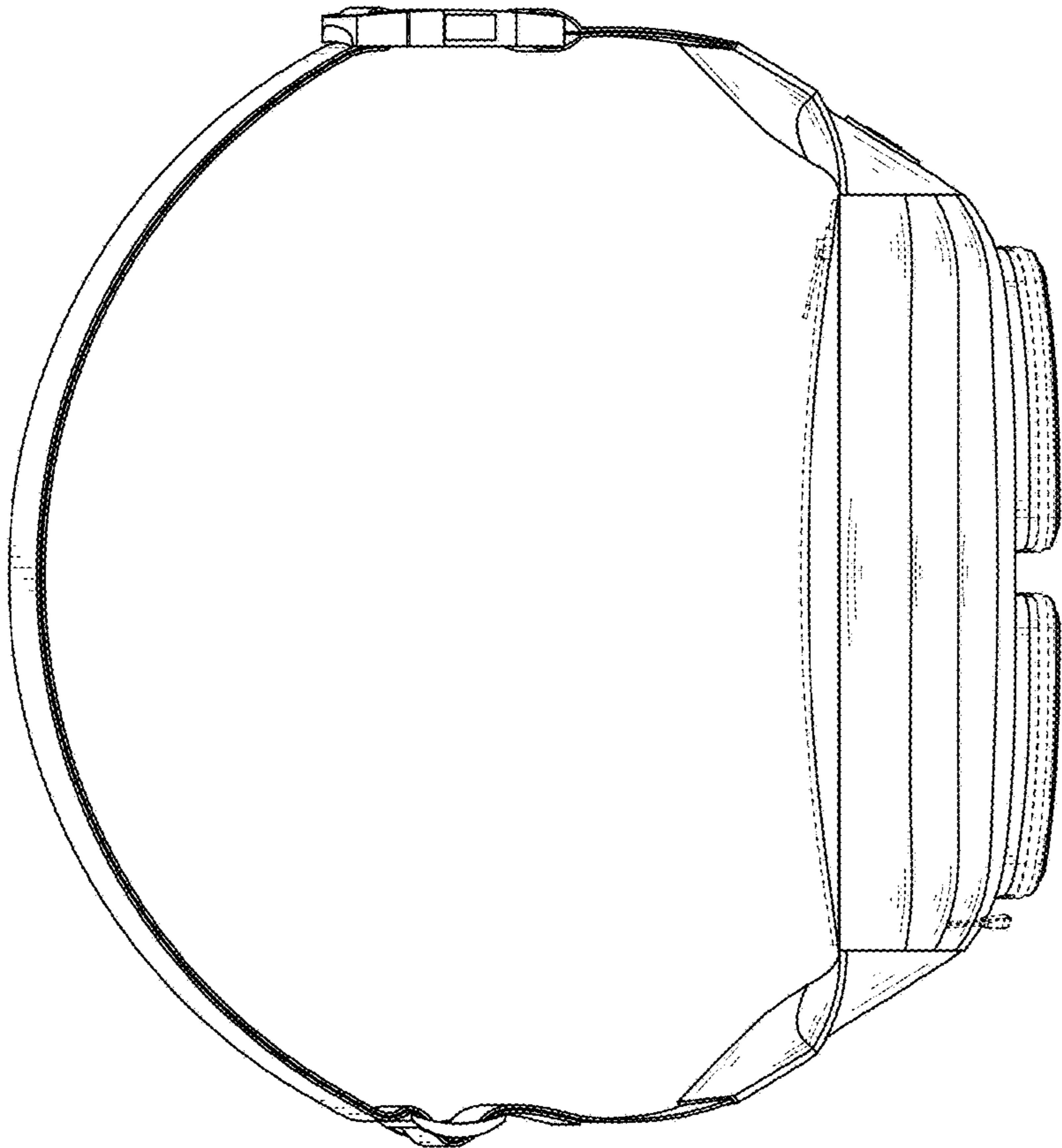


FIG. 7

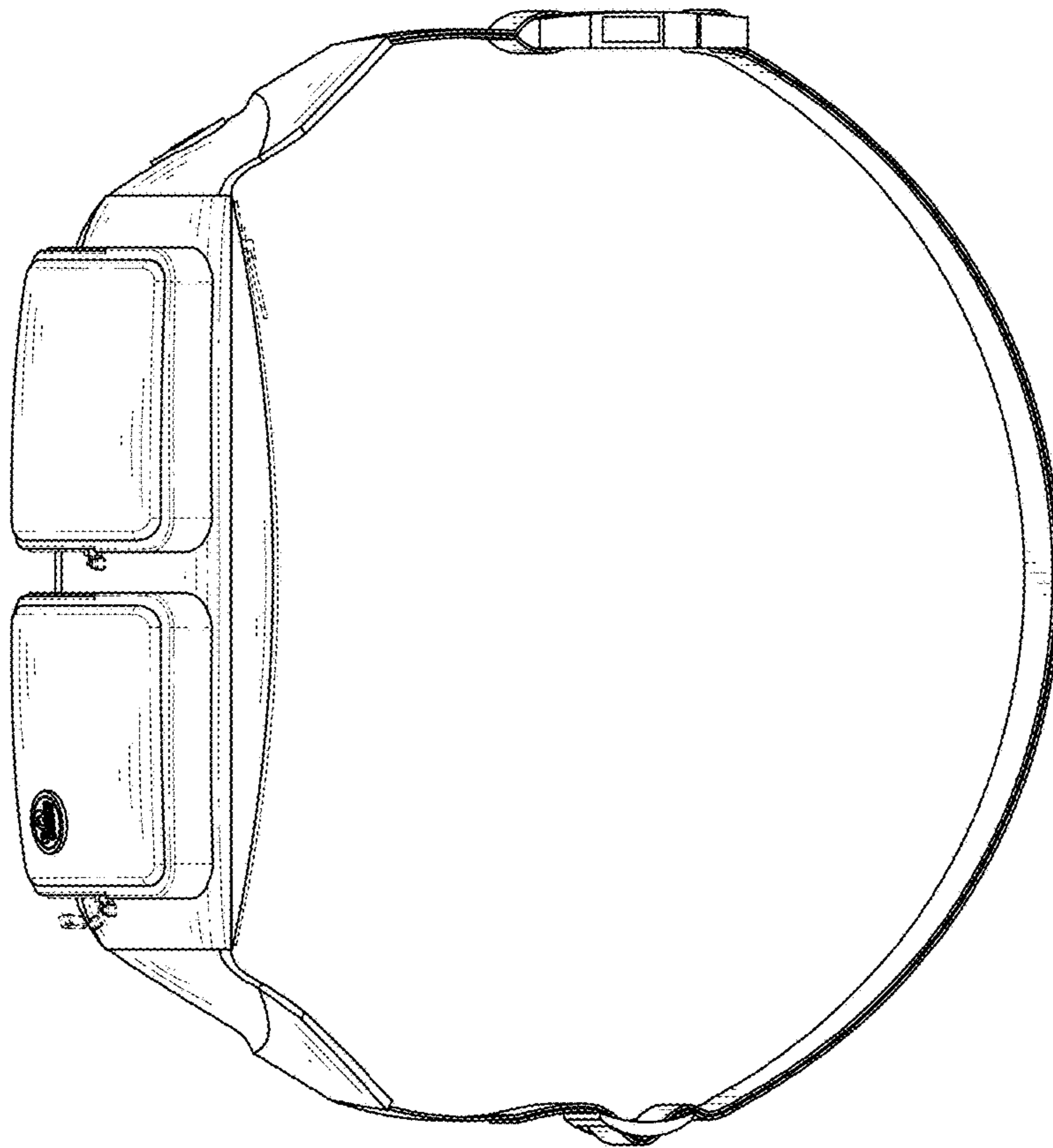


FIG. 8