



US00D863756S

(12) **United States Design Patent**
Chudy

(10) **Patent No.:** **US D863,756 S**

(45) **Date of Patent:** **** Oct. 22, 2019**

(54) **WEARABLE POUCH WITH ENLARGED POCKET**

D787,177 S * 5/2017 O'Connor D3/226
D793,720 S * 8/2017 Tien D3/226
D839,591 S * 2/2019 Yamanaka D3/226

(71) Applicant: **Adam Chudy**, Houston, TX (US)

* cited by examiner

(72) Inventor: **Adam Chudy**, Houston, TX (US)

Primary Examiner — Catherine R Oliver-Garcia

(**) Term: **15 Years**

(74) *Attorney, Agent, or Firm* — The Rapacke Law Group, P.A.

(21) Appl. No.: **29/656,435**

(22) Filed: **Jul. 12, 2018**

(51) **LOC (12) Cl.** **03-01**

(52) **U.S. Cl.**

USPC **D3/226**

(58) **Field of Classification Search**

USPC D3/226, 224, 221, 228, 215; 224/240,
224/245, 219, 222, 267, 269, 684, 661,
224/665, 666, 667, 672, 677, 682, 904
CPC A45C 11/38; A45C 2011/001; A45C
2200/0533; A45F 5/02

See application file for complete search history.

(56) **References Cited**

U.S. PATENT DOCUMENTS

D259,151 S * 5/1981 Kishbaugh 224/684
4,676,419 A * 6/1987 Victor A45F 5/00
224/269
5,395,023 A * 3/1995 Naymark A45C 11/38
224/245
D384,808 S * 10/1997 Carretta D3/221
D426,702 S * 6/2000 Yen D3/218
D434,897 S * 12/2000 Hillman D3/218
D472,702 S * 4/2003 Hassett D3/218

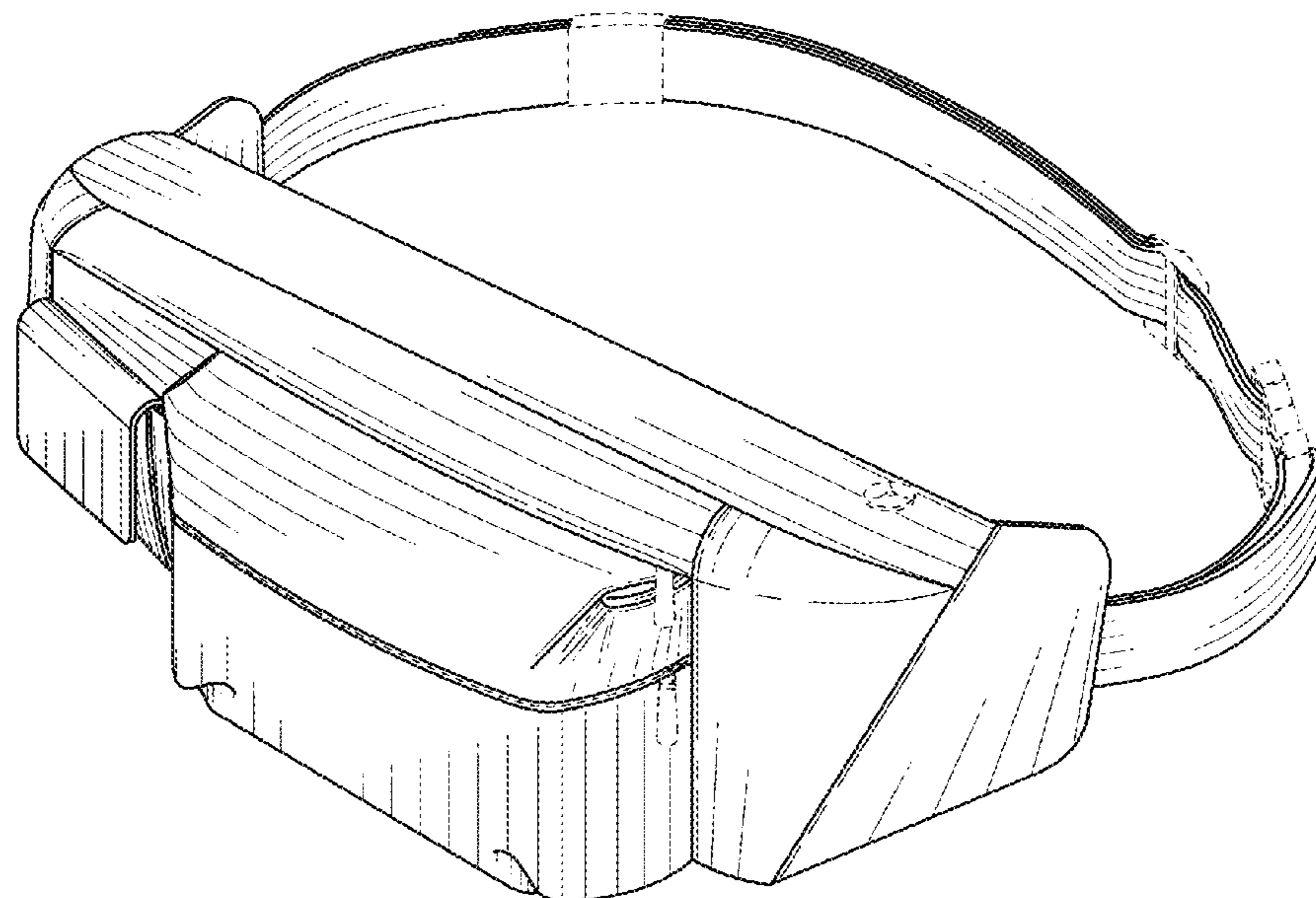
(57) **CLAIM**

The ornamental design for a wearable pouch with enlarged pocket, as shown and described.

DESCRIPTION

FIG. 1 is a perspective view of the wearable pouch with enlarged pocket showing the new design;
FIG. 2 is a front elevational view of the wearable pouch with enlarged pocket thereof;
FIG. 3 is a rear elevational view of the wearable pouch with enlarged pocket thereof;
FIG. 4 is a left side elevational view of the wearable pouch with enlarged pocket thereof;
FIG. 5 is a right side elevational view of the wearable pouch with enlarged pocket thereof;
FIG. 6 is a top plan view of the wearable pouch with enlarged pocket thereof; and,
FIG. 7 is a bottom plan view of the wearable pouch with enlarged pocket thereof.
The broken lines in the drawings illustrate environmental subject matter and form no part of the claimed design.

1 Claim, 5 Drawing Sheets



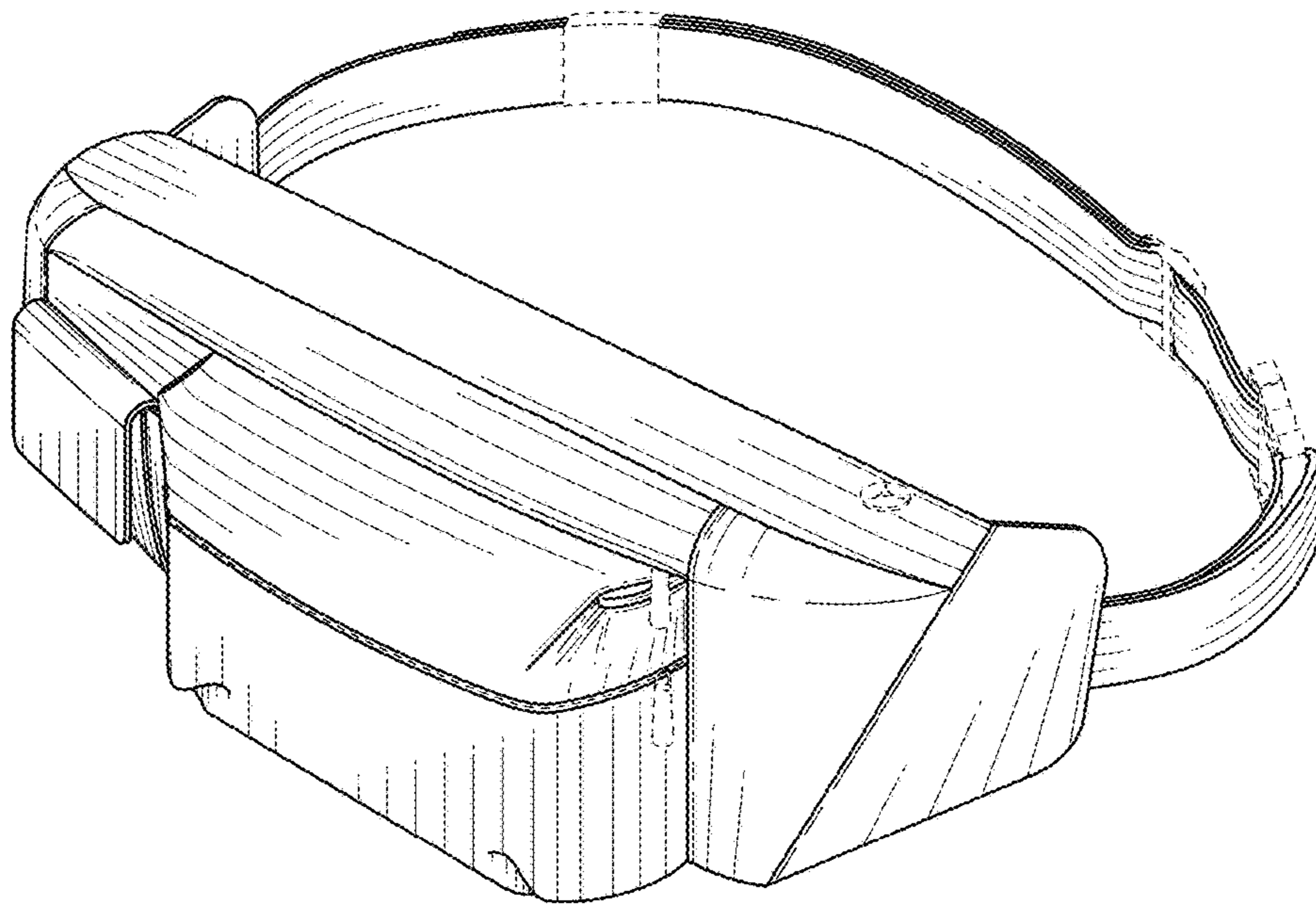


FIG. 1

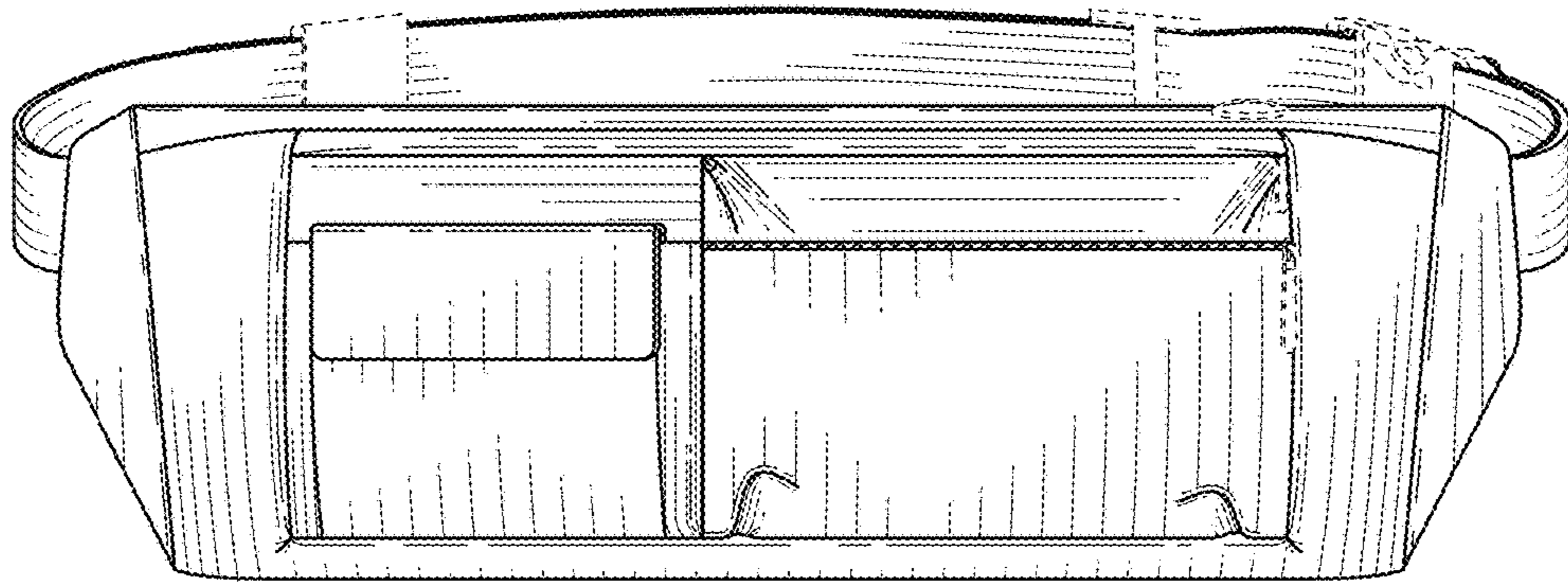


FIG. 2

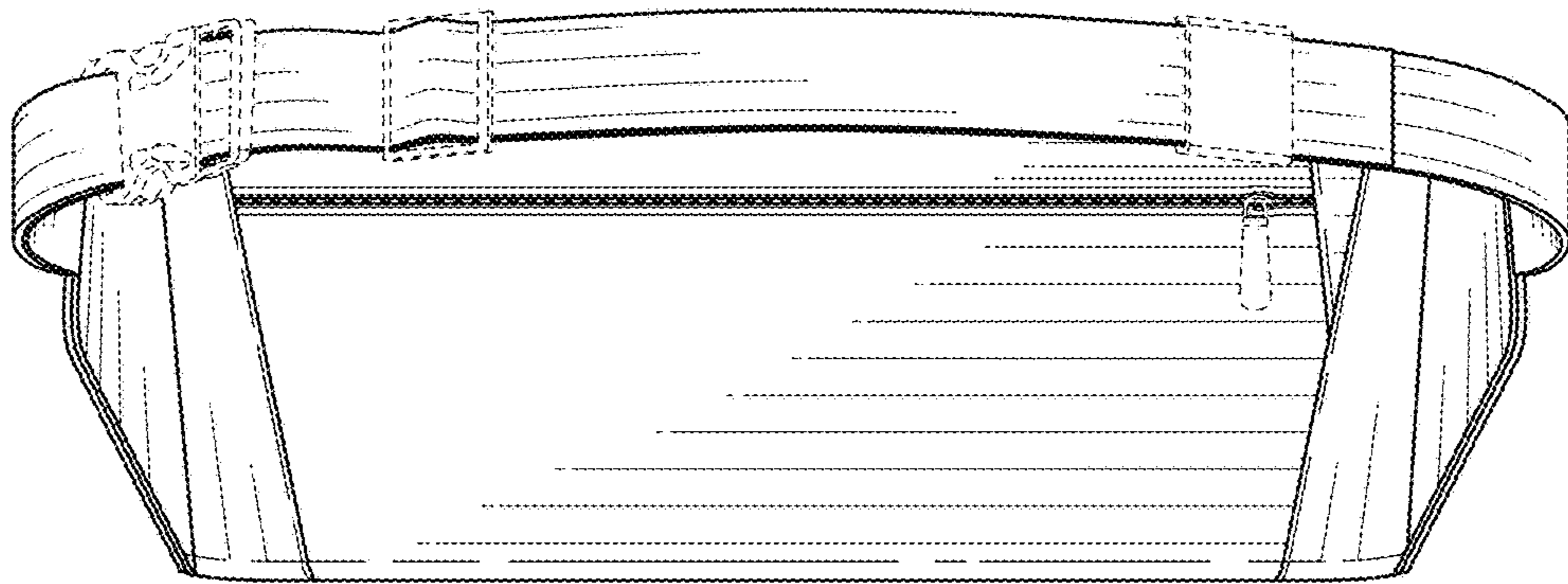


FIG. 3

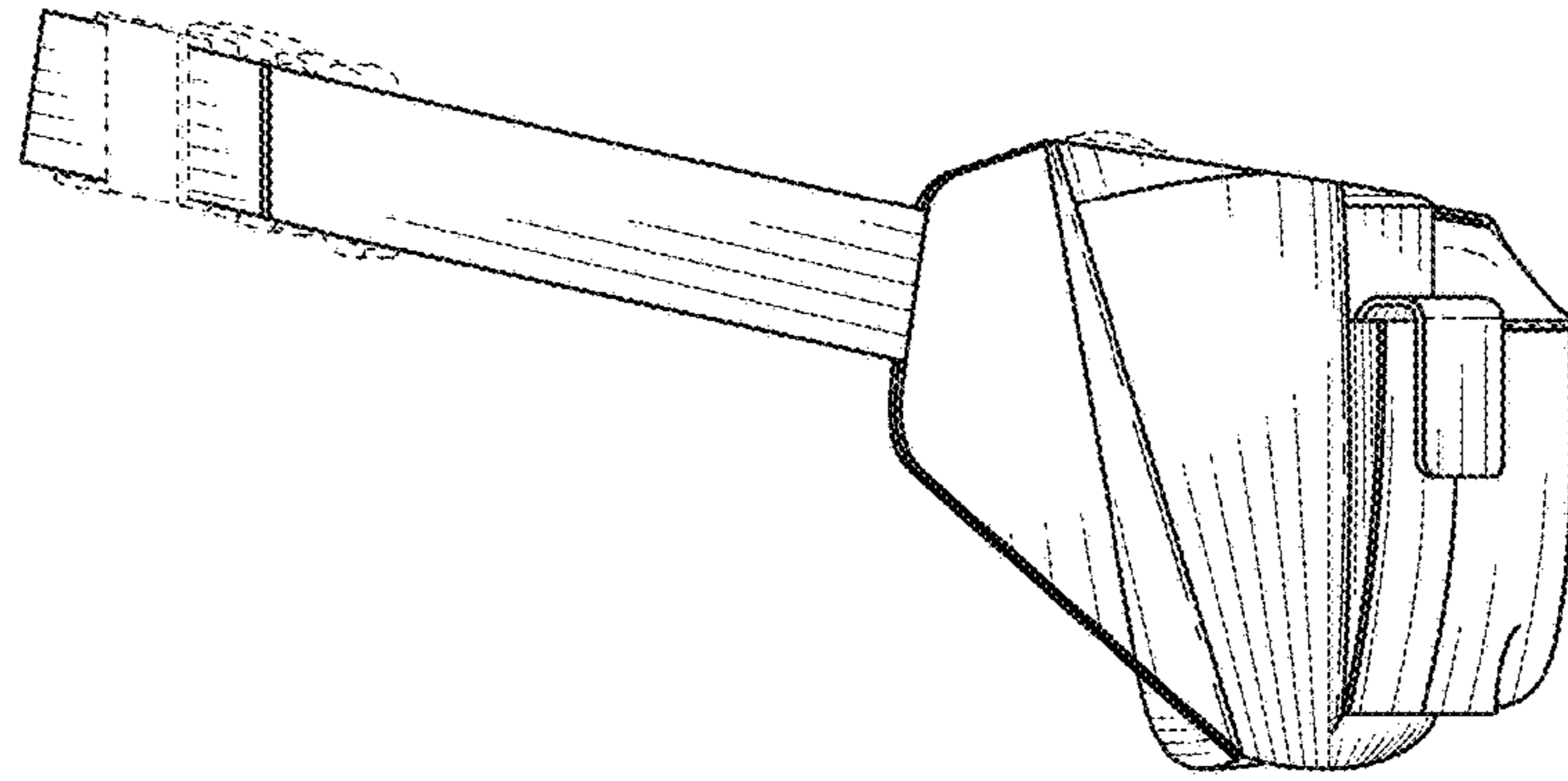


FIG. 4

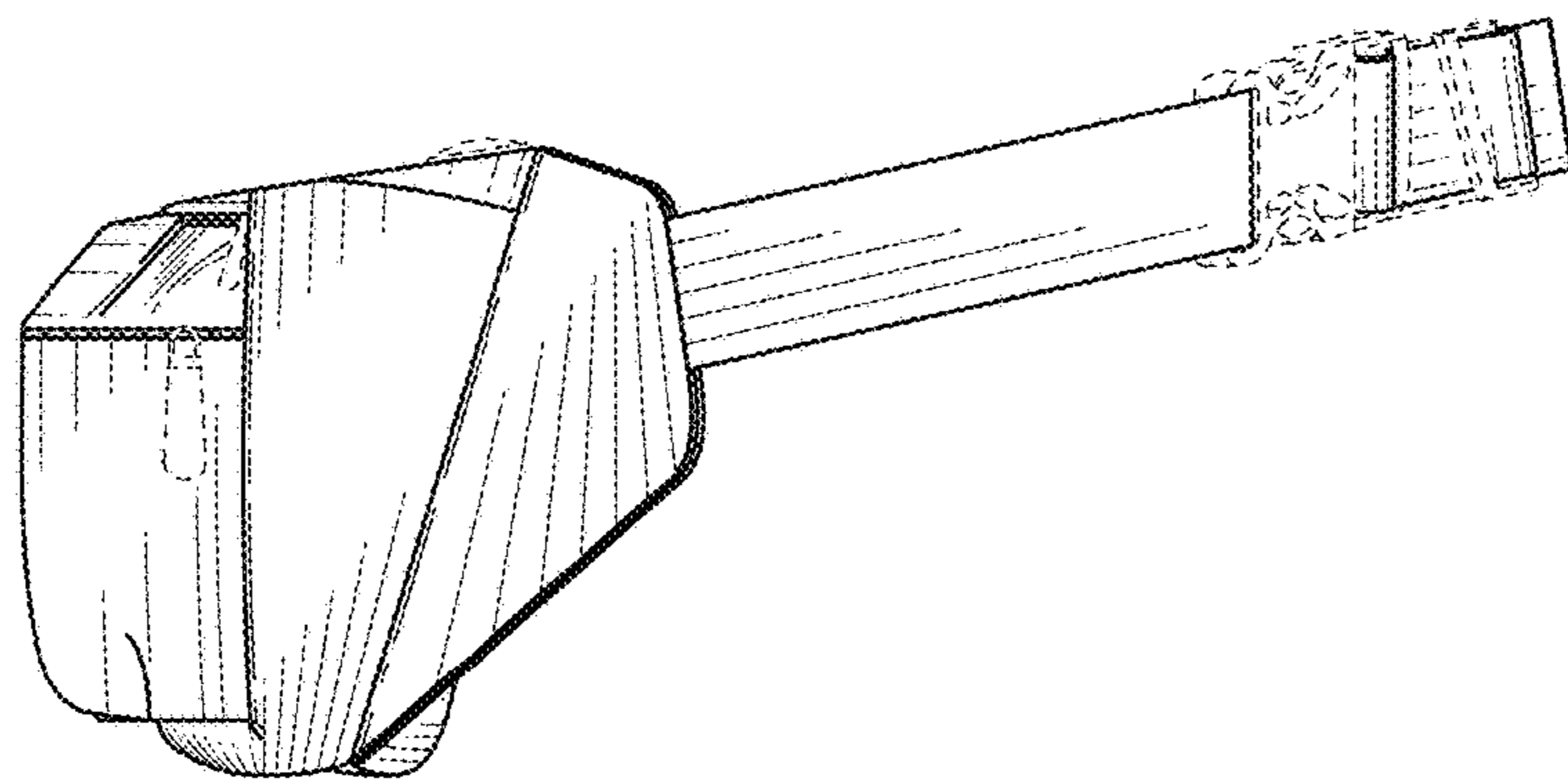


FIG. 5

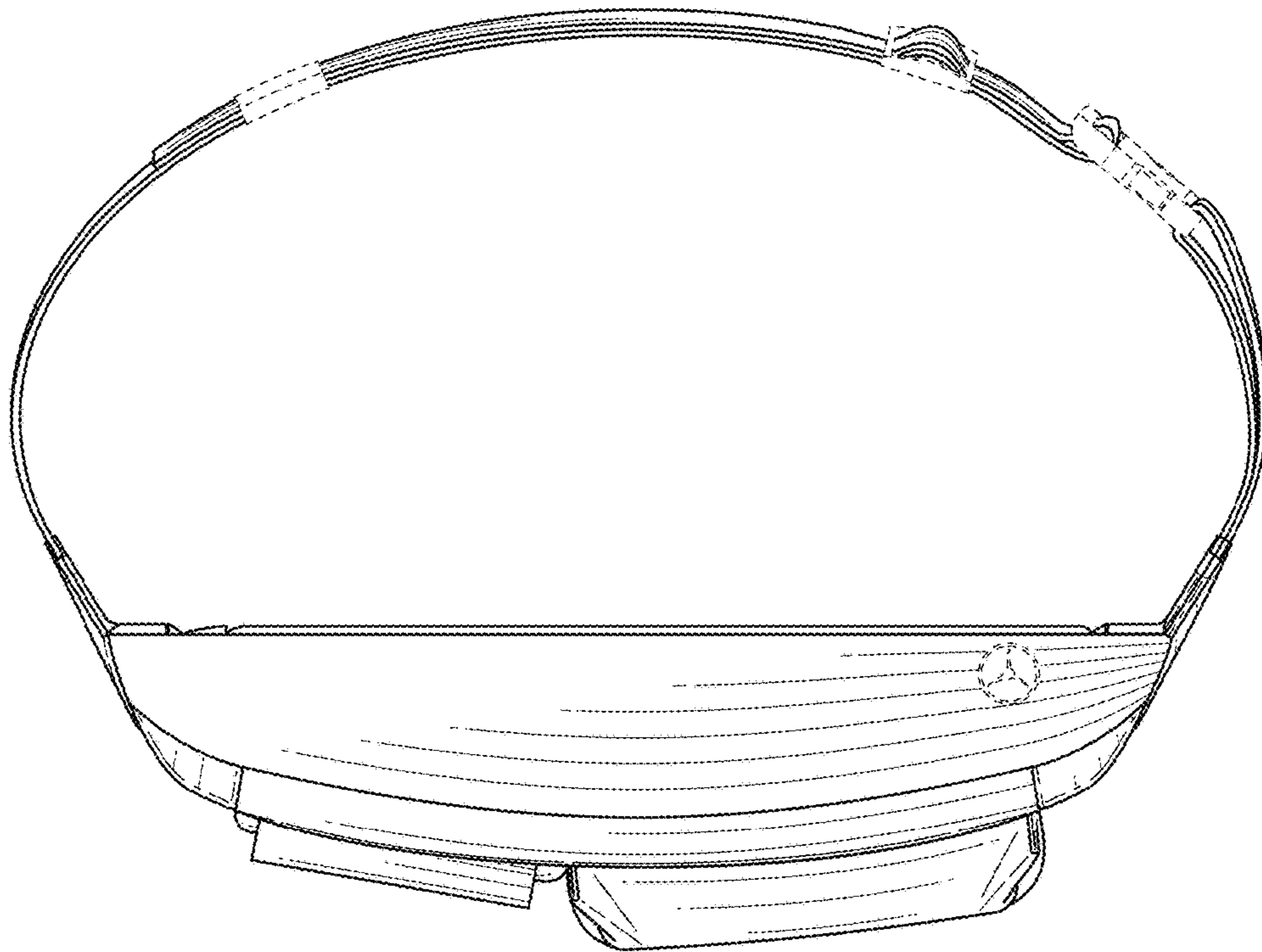


FIG. 6

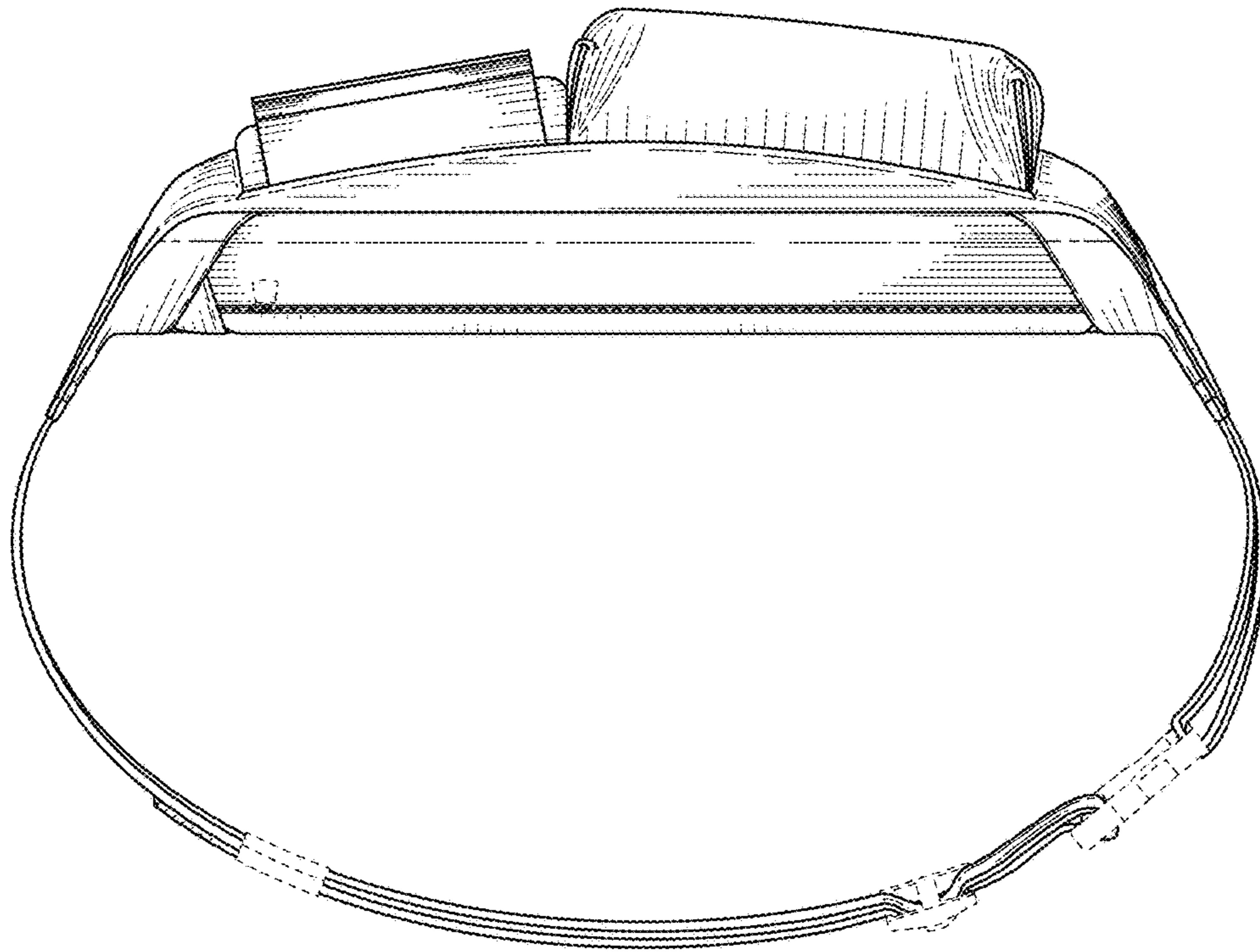


FIG. 7