



US00D863733S

(12) **United States Design Patent**
Konopka

(10) **Patent No.:** **US D863,733 S**
(45) **Date of Patent:** **** Oct. 22, 2019**

- (54) **BALL CAP**
- (71) Applicant: **Kinga Konopka**, Surrey (GB)
- (72) Inventor: **Kinga Konopka**, Surrey (GB)
- (**) Term: **15 Years**
- (21) Appl. No.: **29/600,258**
- (22) Filed: **Apr. 11, 2017**
- (51) **LOC (12) Cl.** **02-03**
- (52) **U.S. Cl.**
USPC **D2/882; D2/884**
- (58) **Field of Classification Search**
USPC D2/865, 866, 867, 869, 870, 871, 872,
D2/873, 874, 875, 876, 877, 878, 879,
D2/880, 881, 882, 883, 884, 885, 886,
D2/887, 888, 889, 890, 891, 892, 893,
D2/894, 895
CPC A42B 1/00; A42B 1/002; A42B 1/004;
A42B 1/006; A42B 1/02; A42B 1/062;
A42B 1/064; A42B 1/205; A42B 1/22;
A42B 1/24; A42B 7/00
See application file for complete search history.

- (56) **References Cited**
U.S. PATENT DOCUMENTS
397,065 A * 1/1889 Brigham A42B 1/22
2/175.3
D19,445 S * 11/1889 Brigham D2/894

- 1,190,427 A * 7/1916 Kromer, Jr. A42B 1/062
2/181
- 6,543,061 B1 * 4/2003 Morgan A42B 1/22
2/183
- D539,012 S * 3/2007 Evans D2/876
- D568,030 S * 5/2008 Chun D2/891
- D669,252 S * 10/2012 Rogers D2/882
- D707,018 S * 6/2014 Hart D2/882
- D797,411 S * 9/2017 Shedd D2/882
- 2016/0255895 A1 * 9/2016 Shedd A42B 1/22

* cited by examiner

Primary Examiner — Karen S Acker
Assistant Examiner — Jasmine Mlinarcik
(74) *Attorney, Agent, or Firm* — Thorpe North & Western

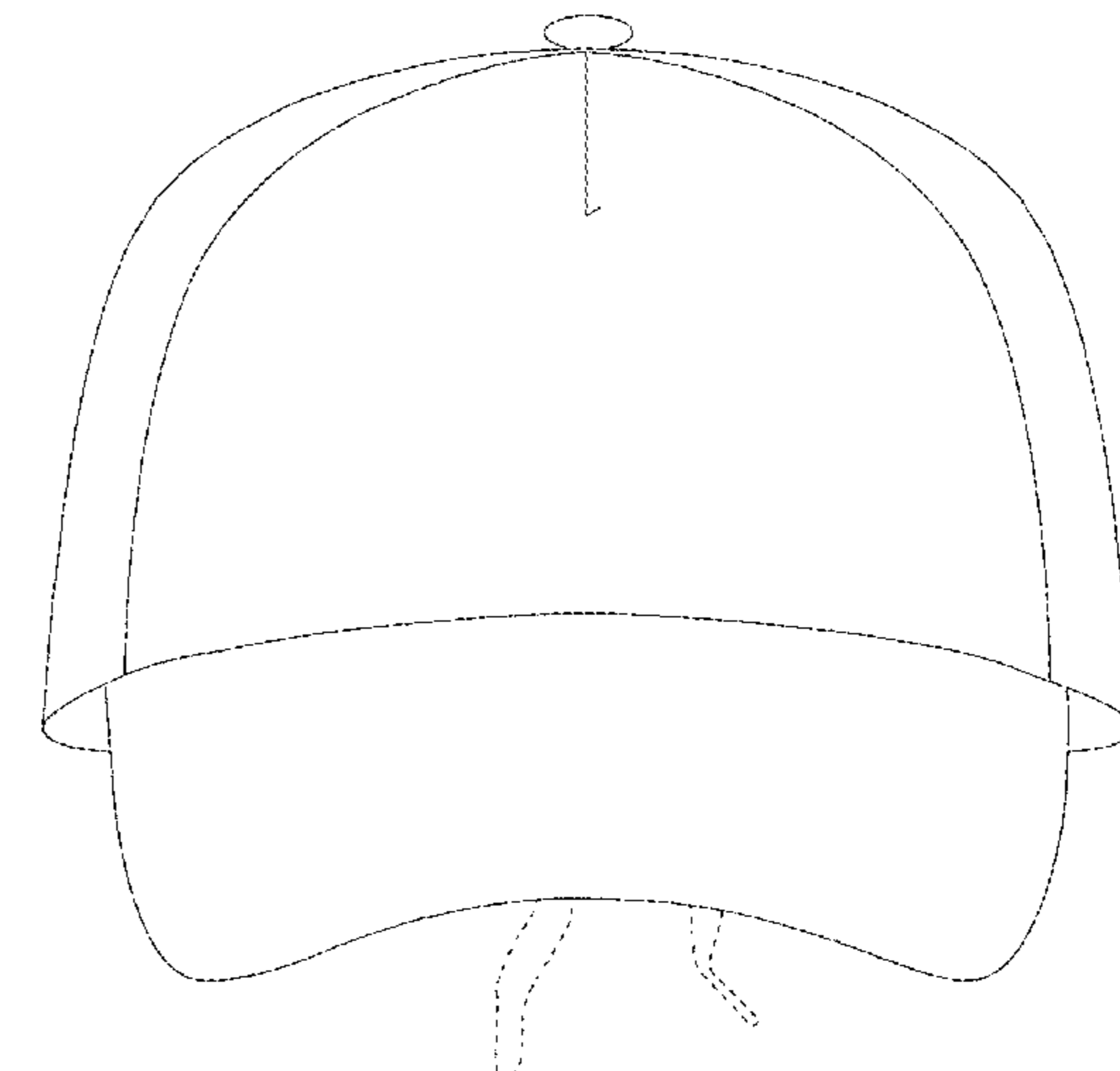
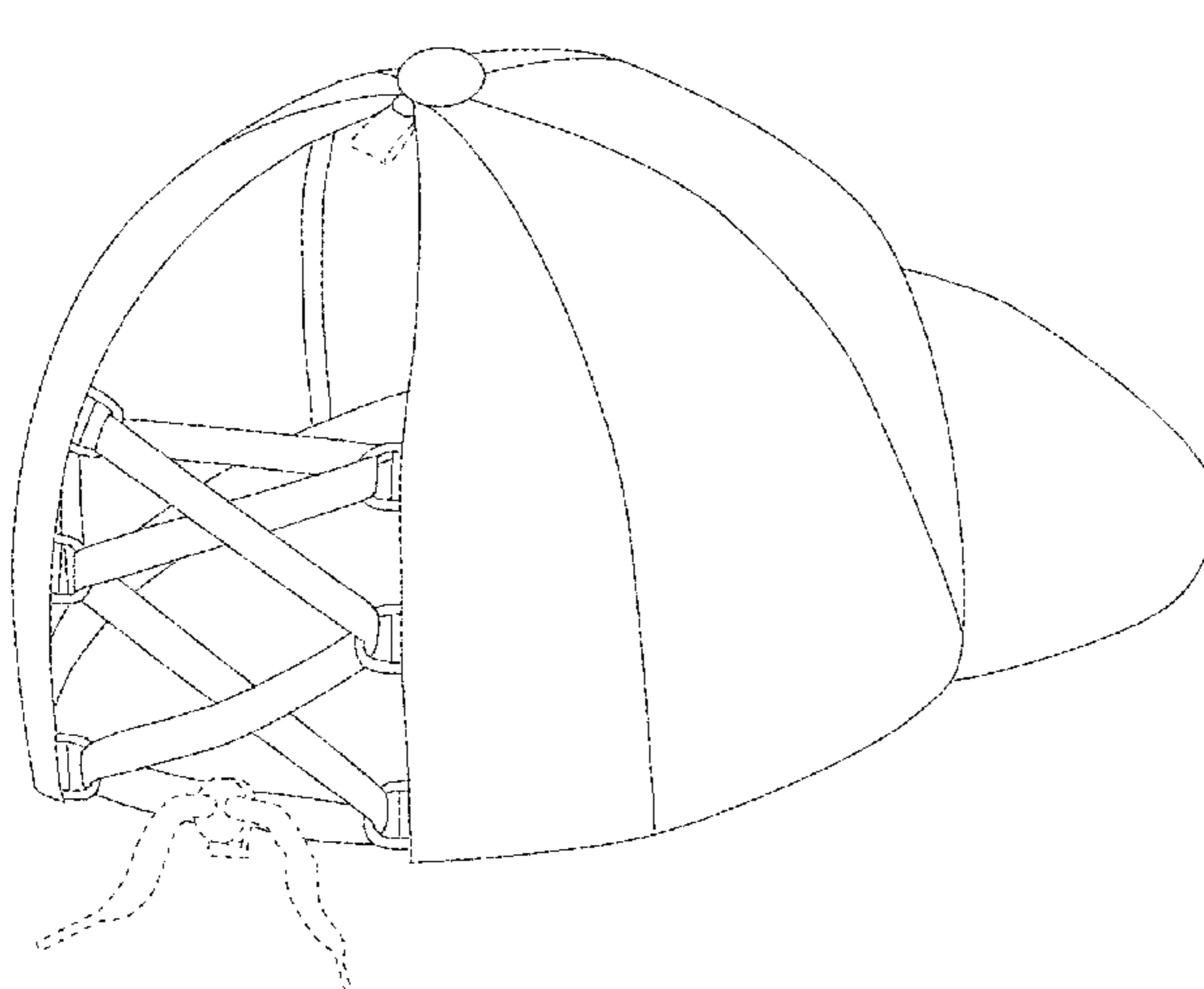
(57) **CLAIM**

The ornamental design for a ball cap, as shown and described.

DESCRIPTION

FIG. 1 is a rear perspective view of the ball cap in accordance with my invention;
FIG. 2 is a rear elevation view thereof;
FIG. 3 is a front elevation view thereof;
FIG. 4 is a top plan view thereof;
FIG. 5 is a bottom plan view thereof;
FIG. 6 is a right side elevation view thereof; and,
FIG. 7 is a left side elevation view thereof.
The broken lines shown in the drawings illustrate portions of the ball cap that form no part of the claimed design.

1 Claim, 5 Drawing Sheets



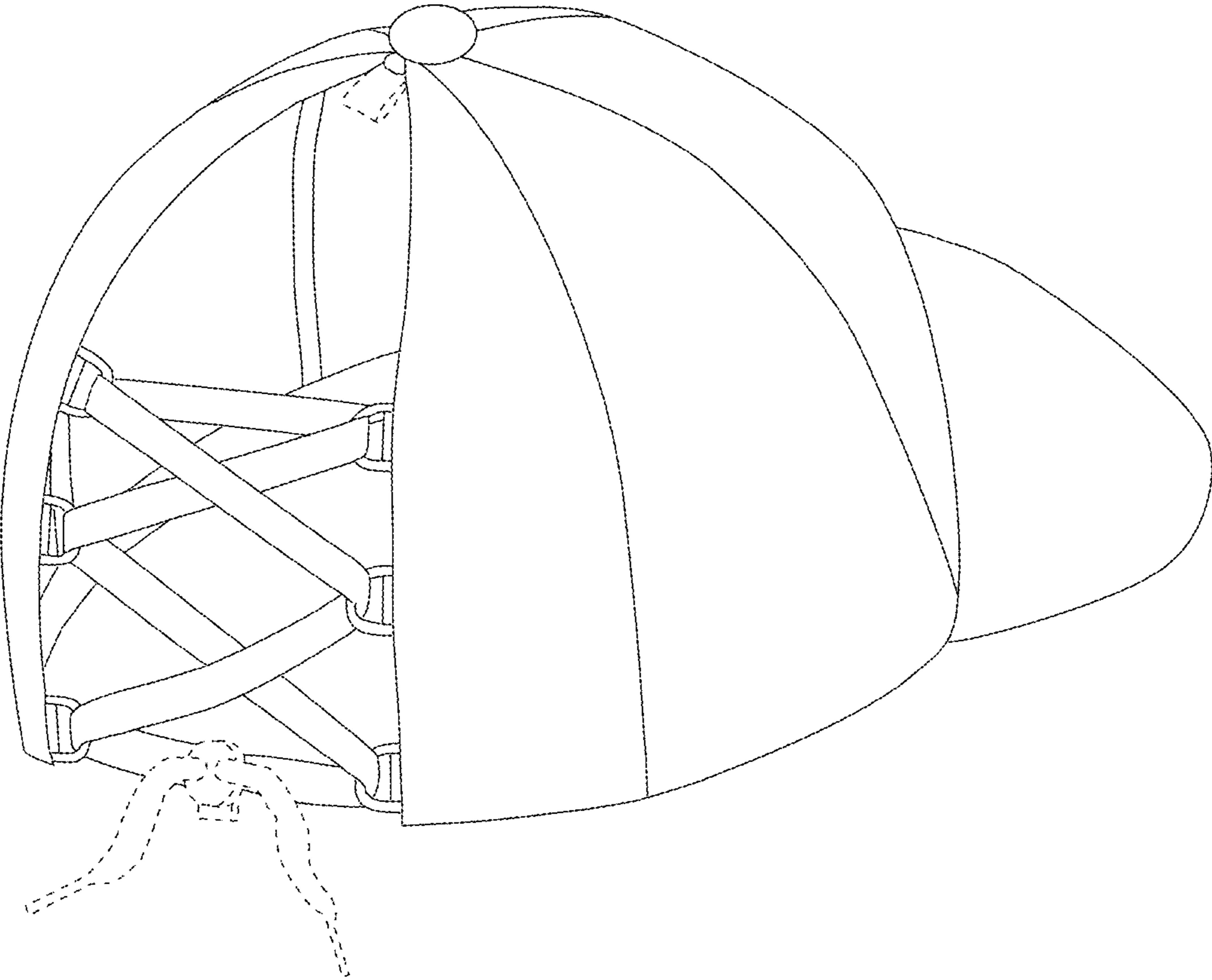


FIG. 1

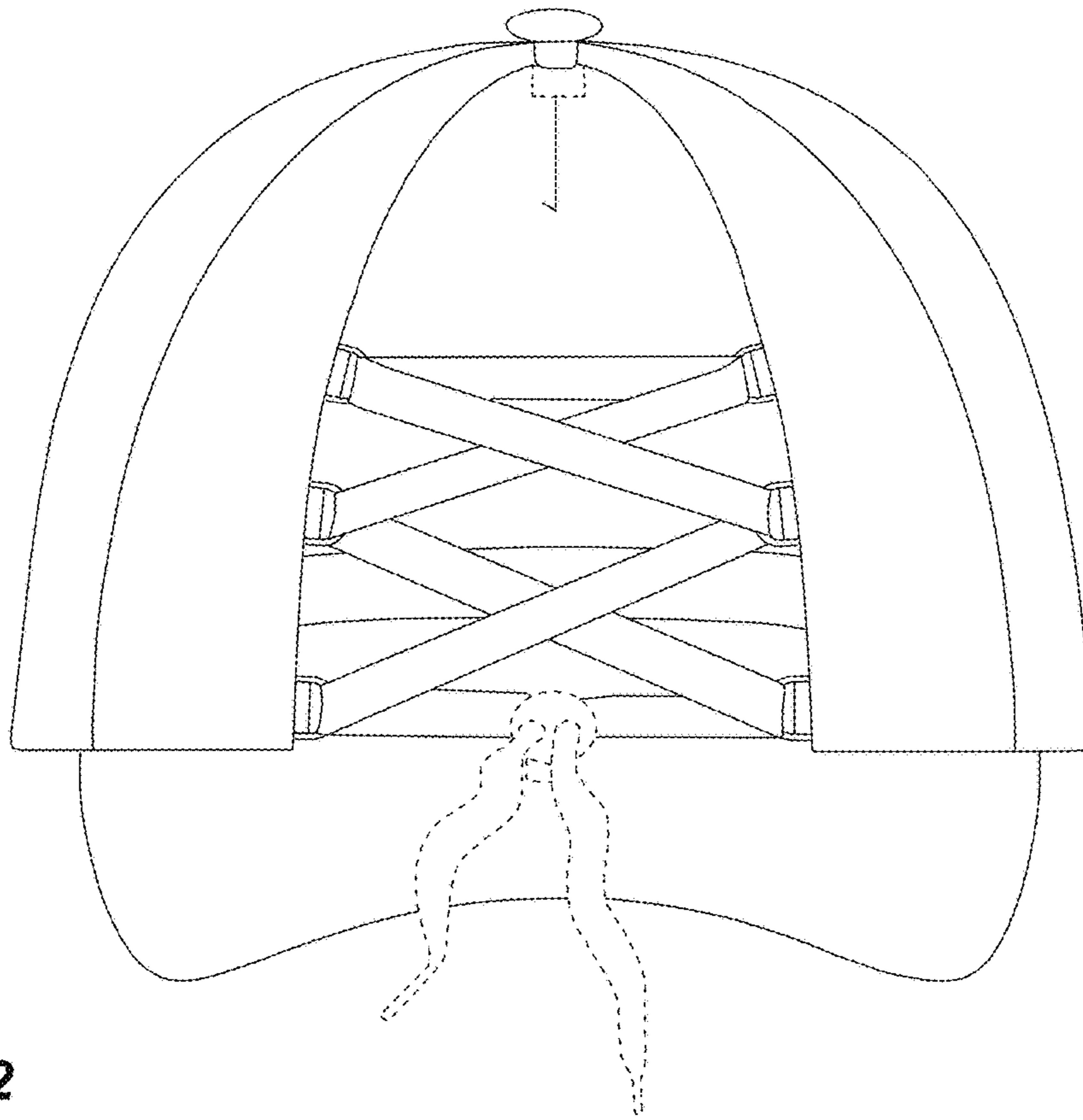


FIG. 2

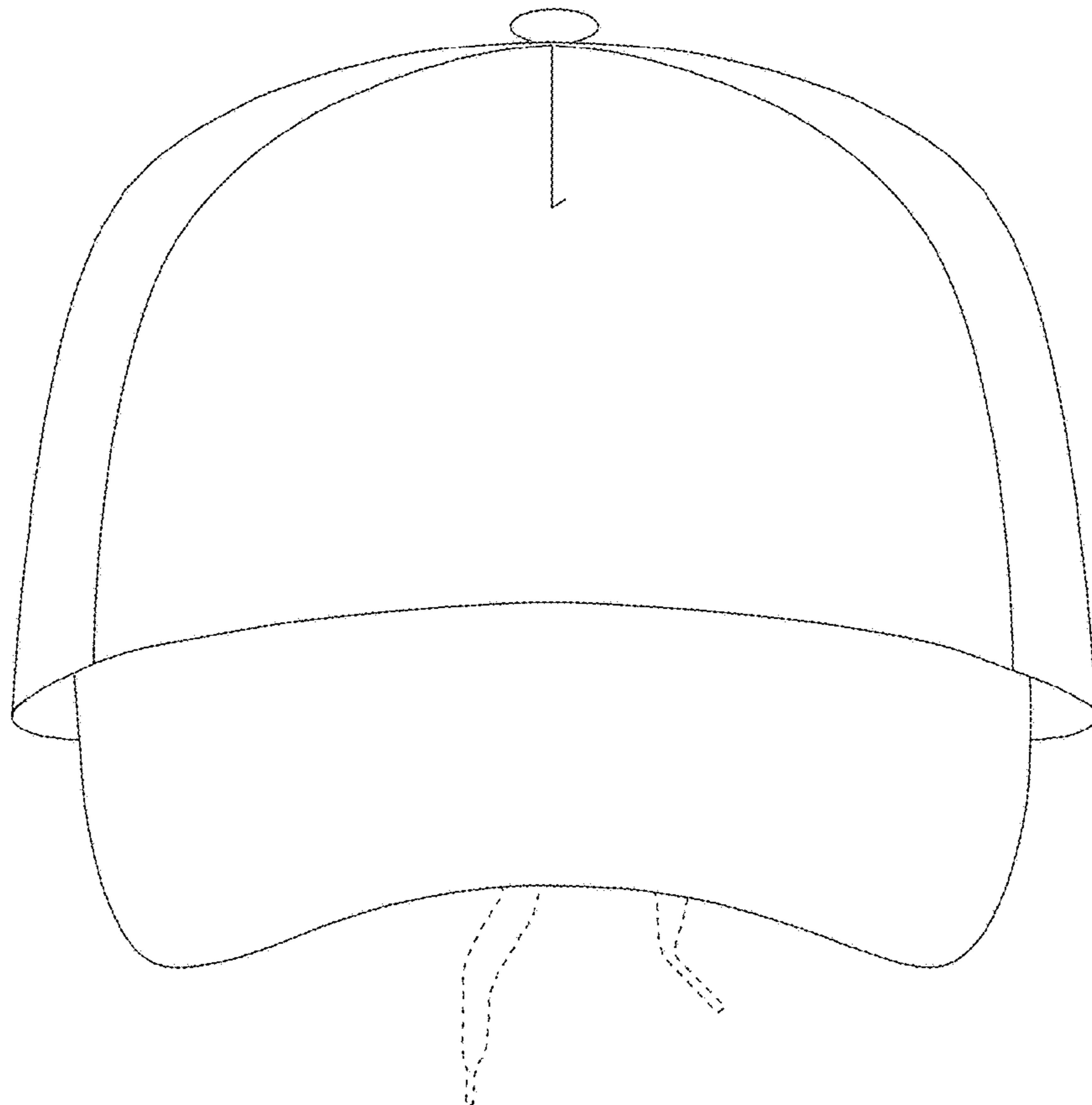


FIG. 3

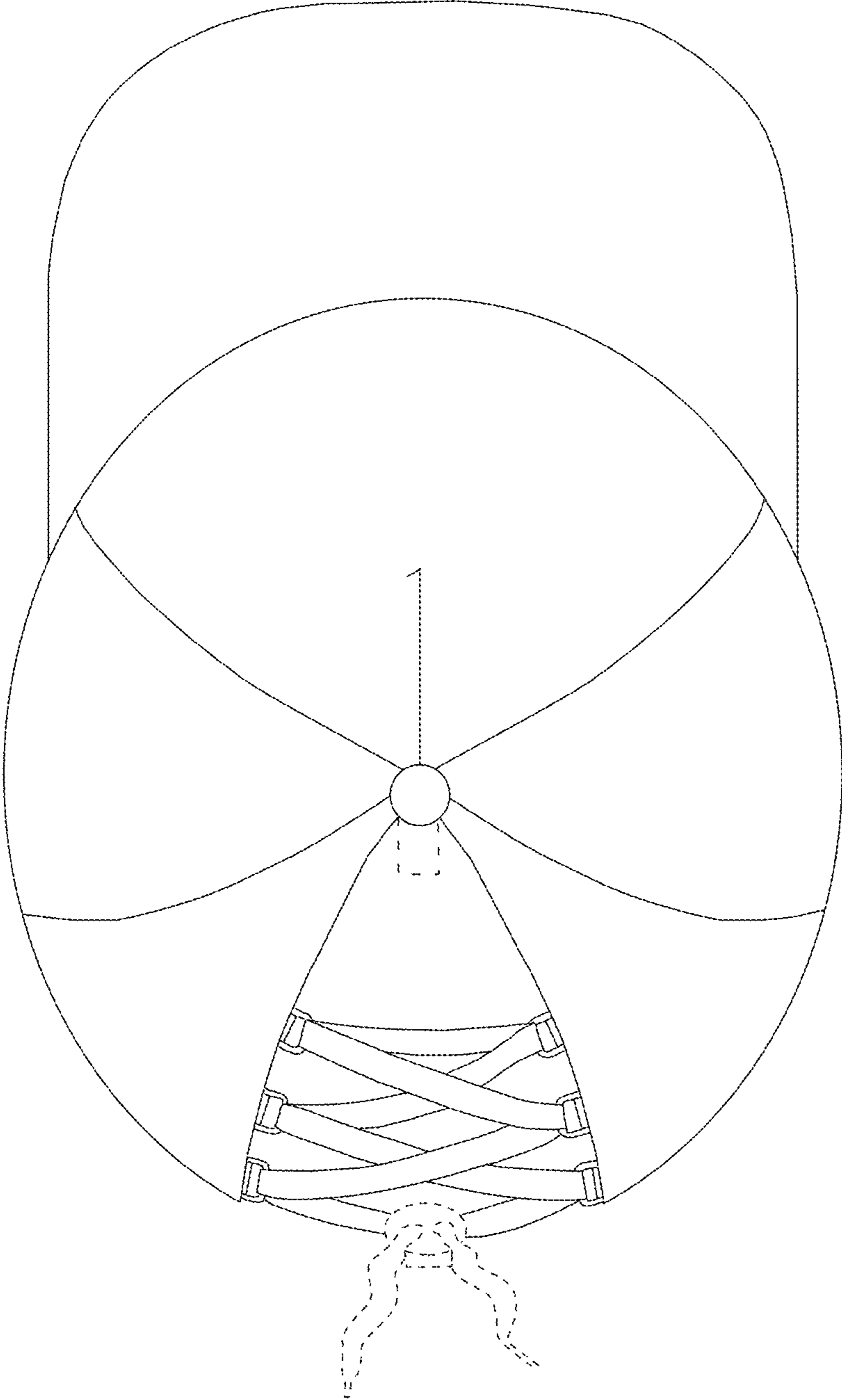


FIG. 4

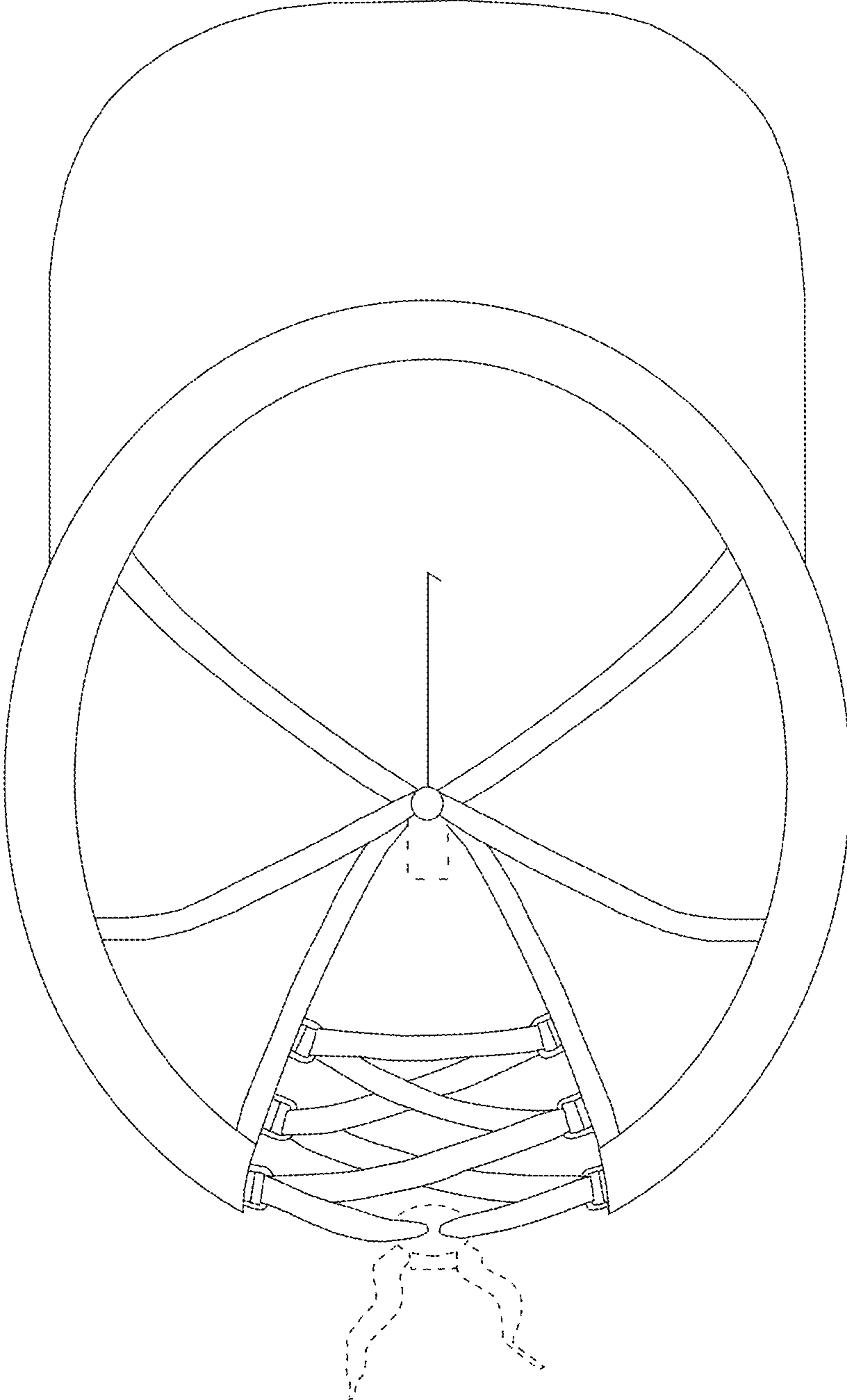


FIG. 5

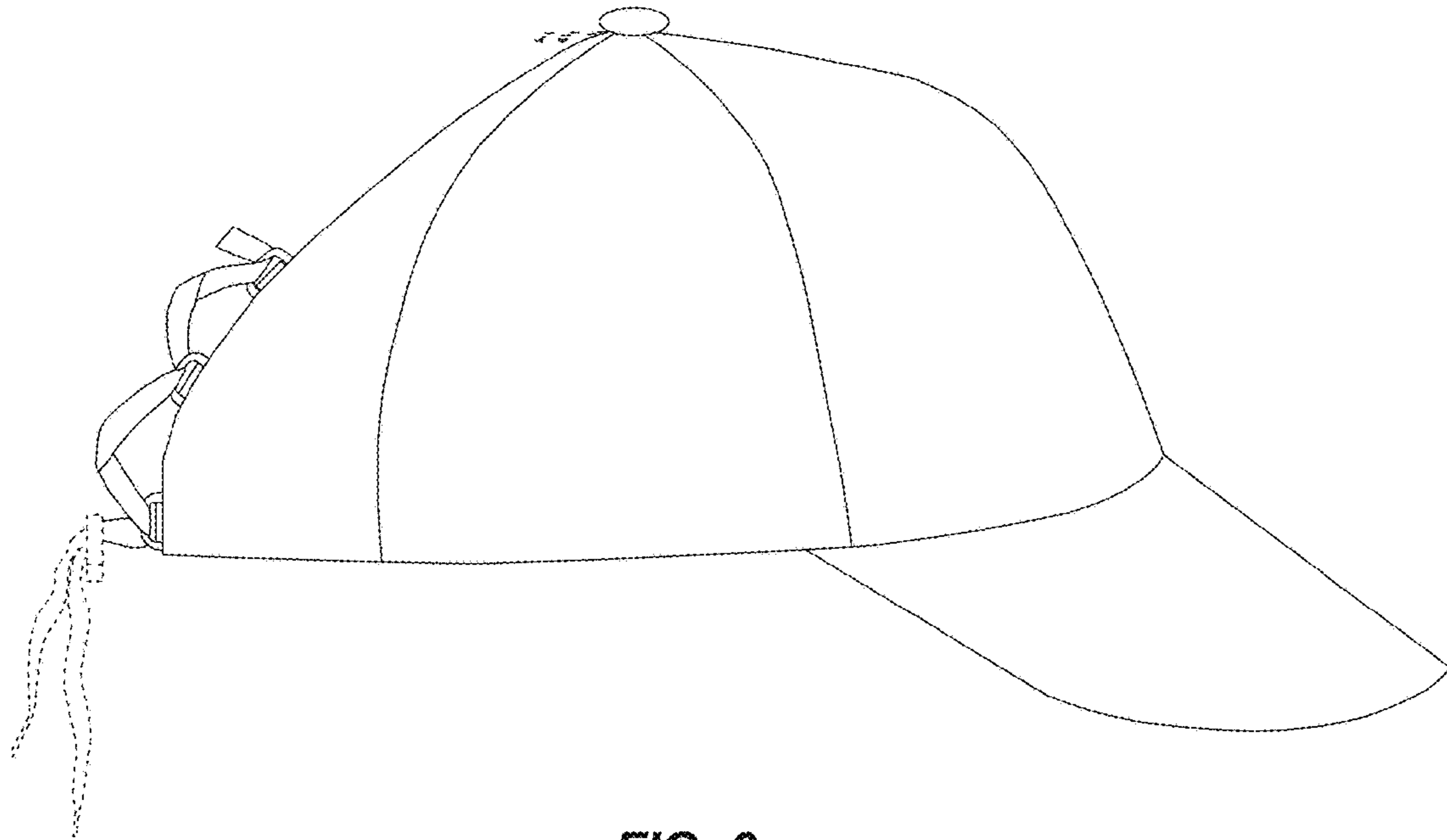


FIG. 6

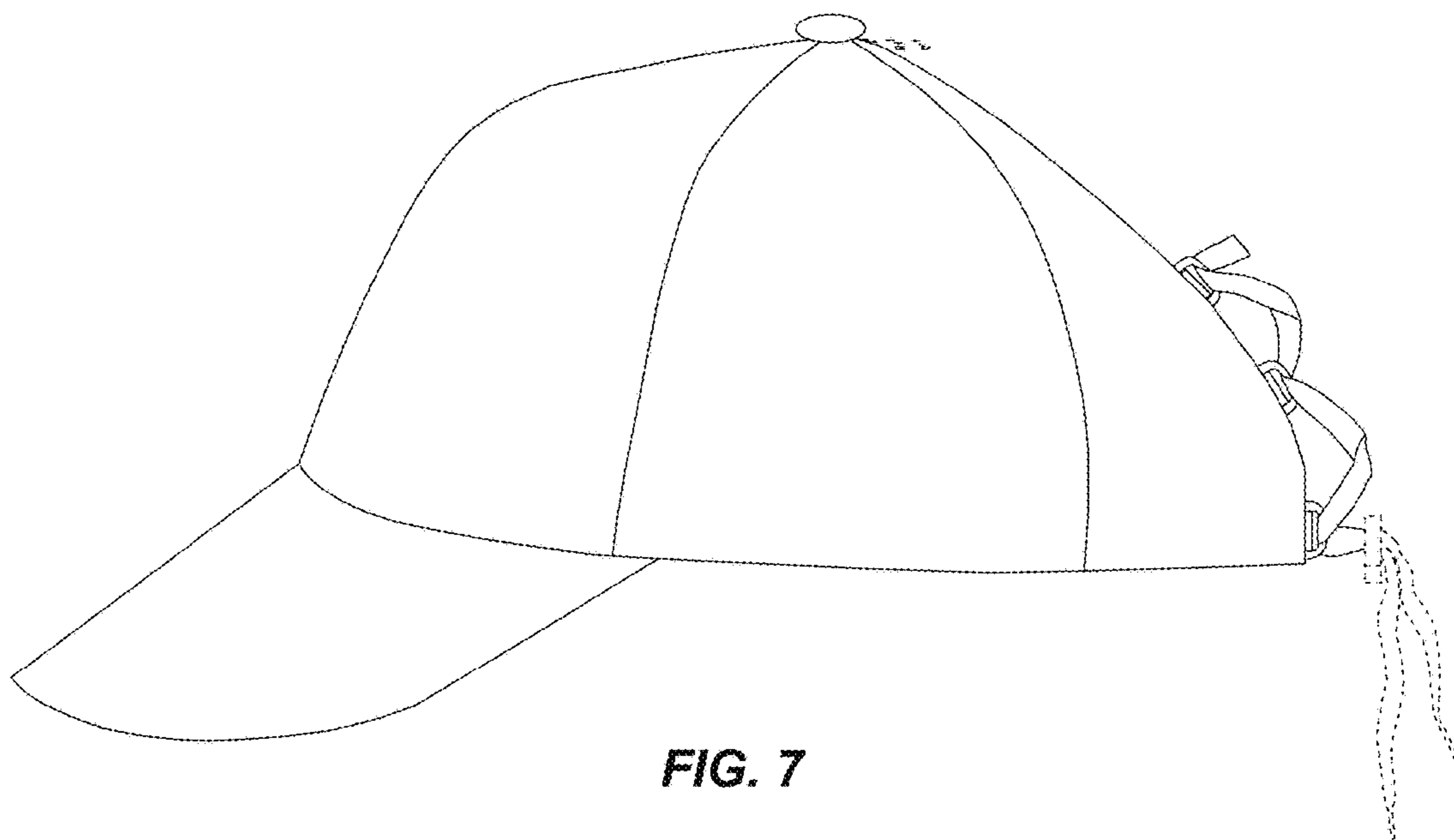


FIG. 7