



US00D863730S

(12) **United States Design Patent**
Wimberly

(10) **Patent No.:** **US D863,730 S**

(45) **Date of Patent:** **** Oct. 22, 2019**

(54) **JACKET WITH BUILT-IN BACKPACK**

(71) Applicant: **C. Theresa Wimberly**, Sarepta, LA
(US)

(72) Inventor: **C. Theresa Wimberly**, Sarepta, LA
(US)

(**) Term: **15 Years**

(21) Appl. No.: **29/637,246**

(22) Filed: **Feb. 15, 2018**

(51) **LOC (12) Cl.** **02-02**

(52) **U.S. Cl.**
USPC **D2/828**

(58) **Field of Classification Search**
USPC D2/828–830, 750, 999; 2/93, 102;
D3/216–217
CPC A41D 1/02; A41D 1/04
See application file for complete search history.

(56) **References Cited**

U.S. PATENT DOCUMENTS

D269,136 S *	5/1983	Pressentin	D2/829
D357,342 S *	4/1995	Gelinas	D2/828
D386,887 S *	12/1997	Hambas	D2/830
D418,673 S *	1/2000	Madsen	D2/830
D461,037 S *	8/2002	Shutsa, Sr.	D2/829
D538,509 S *	3/2007	Silverman	D2/829
D611,680 S *	3/2010	Thomas	D2/829
D764,147 S *	8/2016	Zhou	D2/829
D833,140 S *	11/2018	Oliver	D3/217

2010/0282803 A1* 11/2010 Simmons A41D 13/0007
224/576

2010/0313328 A1* 12/2010 Shelton A41D 13/01
2/102

2018/0364011 A1* 12/2018 Blakeley F41H 1/02

* cited by examiner

Primary Examiner — Robin V Webster

Assistant Examiner — J. Thorn, Sr.

(74) *Attorney, Agent, or Firm* — R. Keith Harrison

(57) **CLAIM**

The ornamental design for a jacket with built-in backpack,
as shown and described.

DESCRIPTION

FIG. 1 is a rear perspective view of a jacket with built-in
backpack;

FIG. 2 is a front view thereof;

FIG. 3 is a rear view thereof;

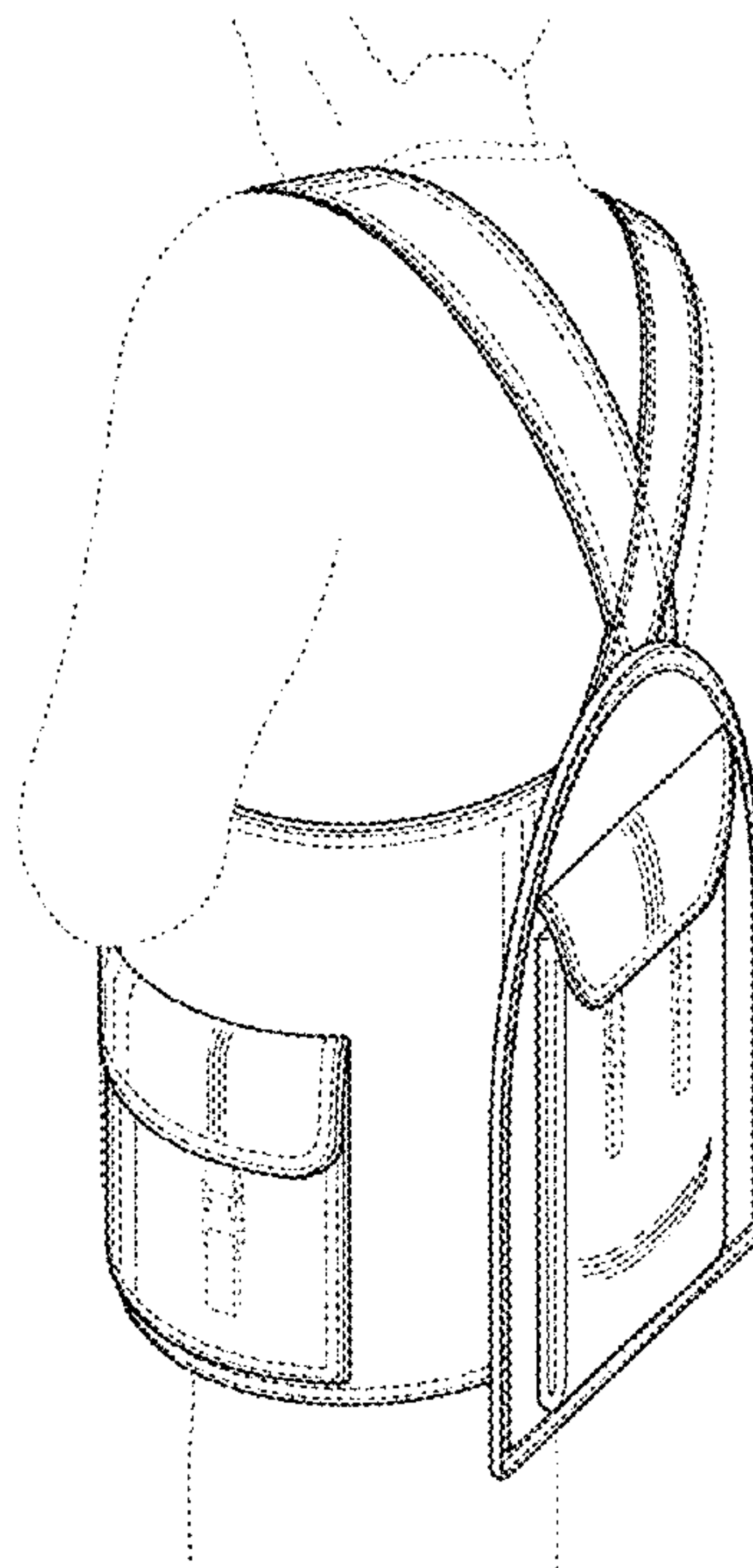
FIG. 4 is a left view thereof; the right view being a mirror
image;

FIG. 5 is a top plan view thereof; and,

FIG. 6 is a bottom plan view thereof.

The broken lines showing the wearer, fastening straps and
buckles are included for the purpose of illustrating environ-
mental structure and form no part of the claimed design. The
broken lines shown in the jacket represent stitching in the
fabric.

1 Claim, 5 Drawing Sheets



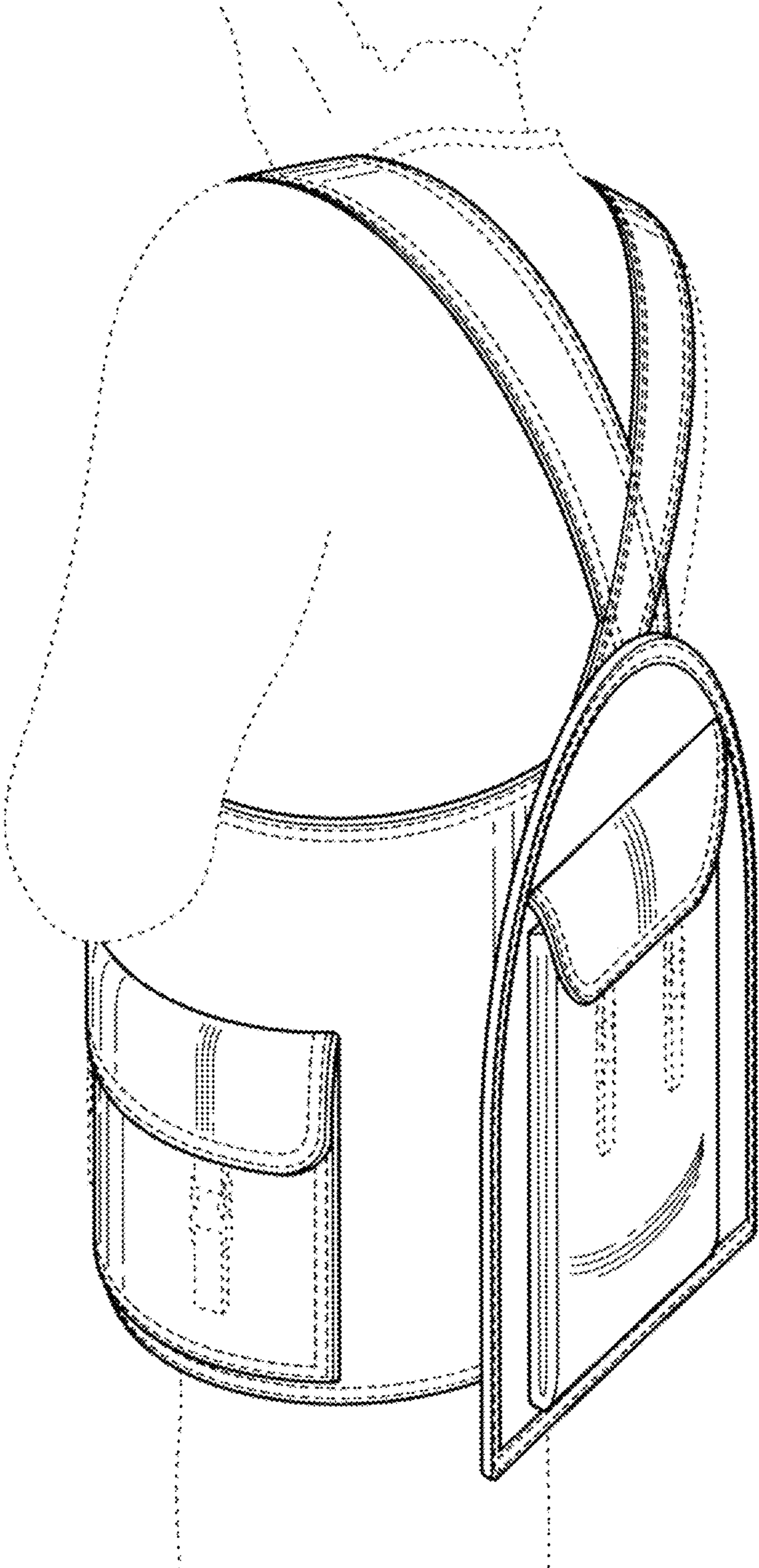


FIG. 1

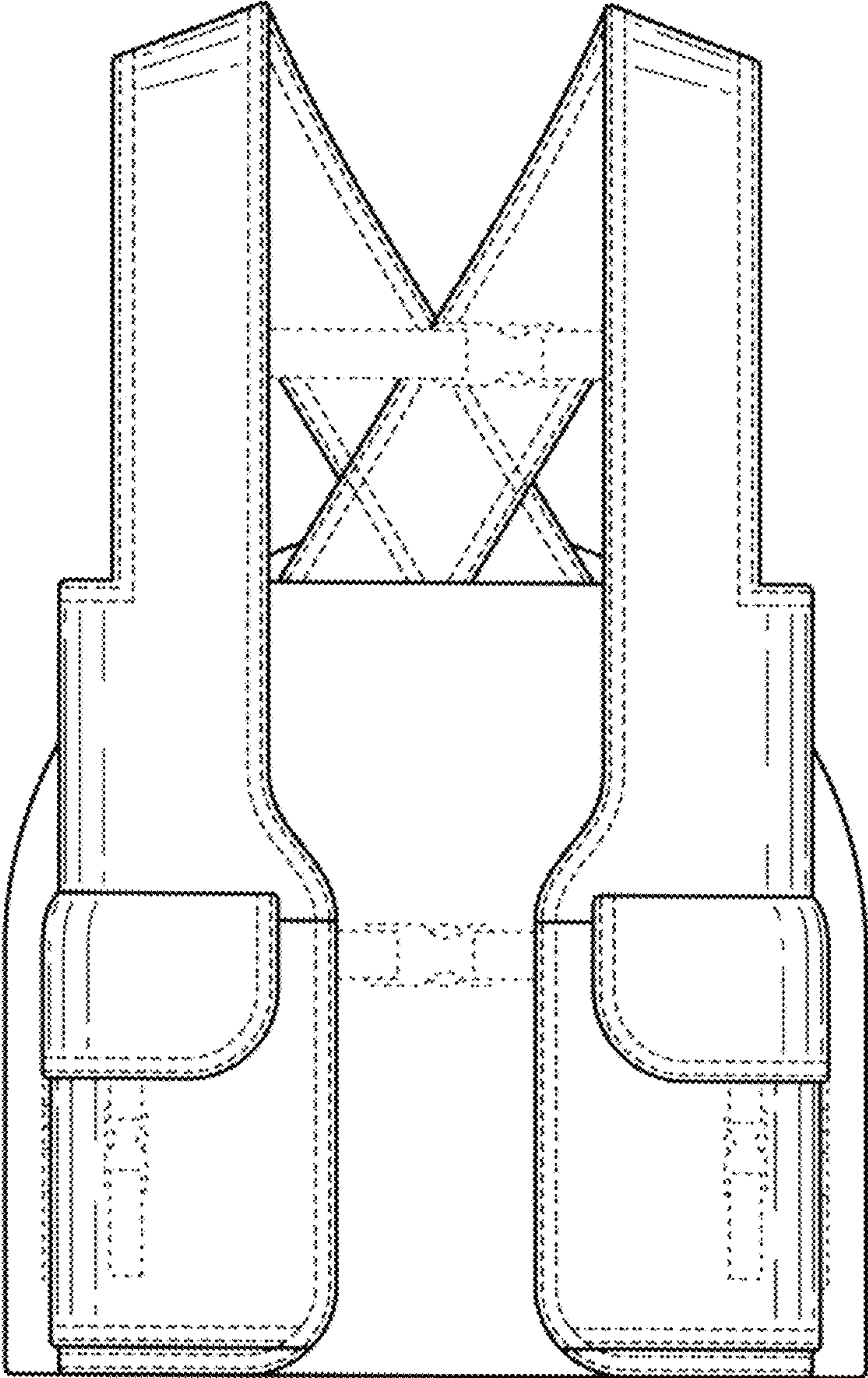


FIG. 2

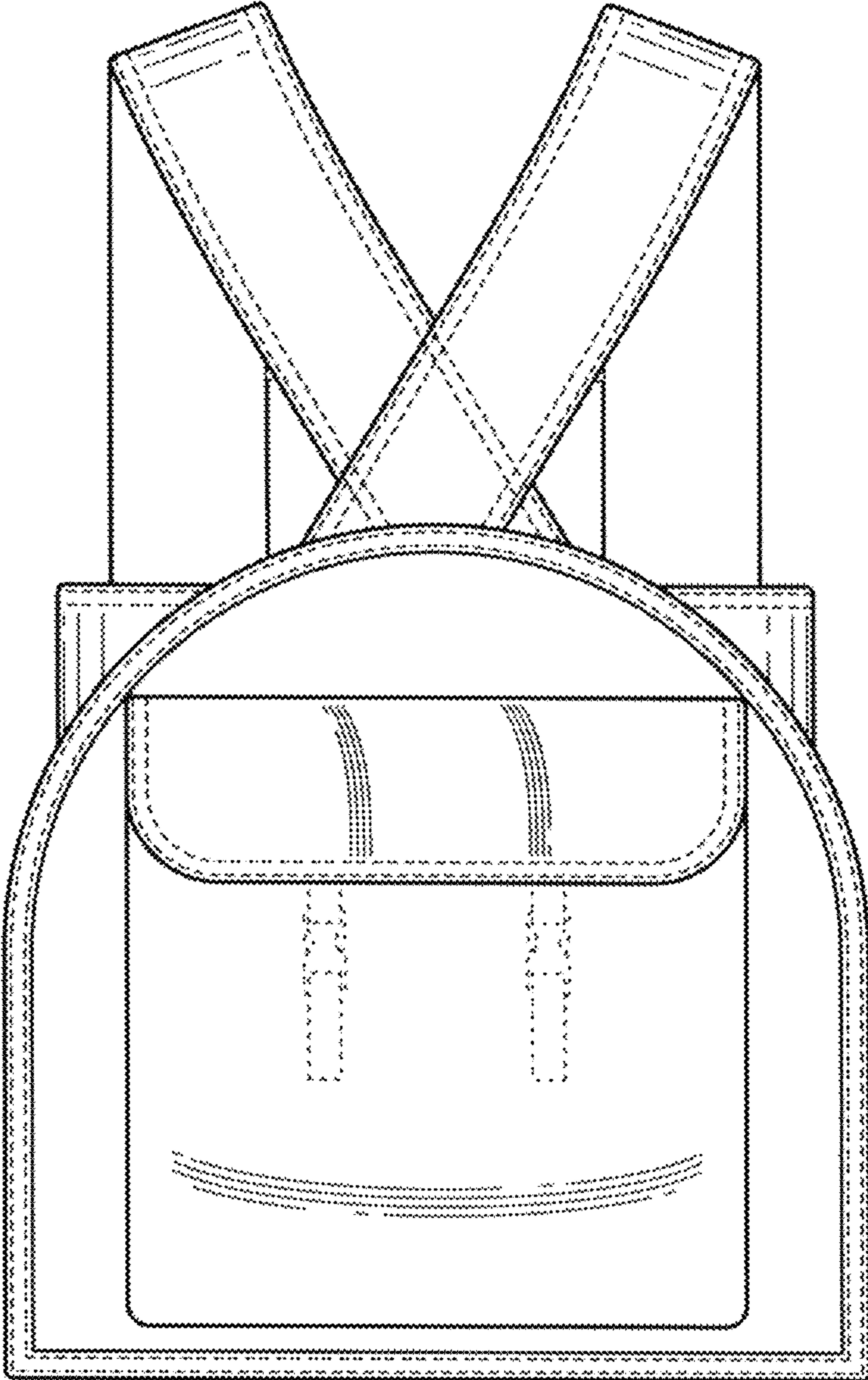


FIG. 3

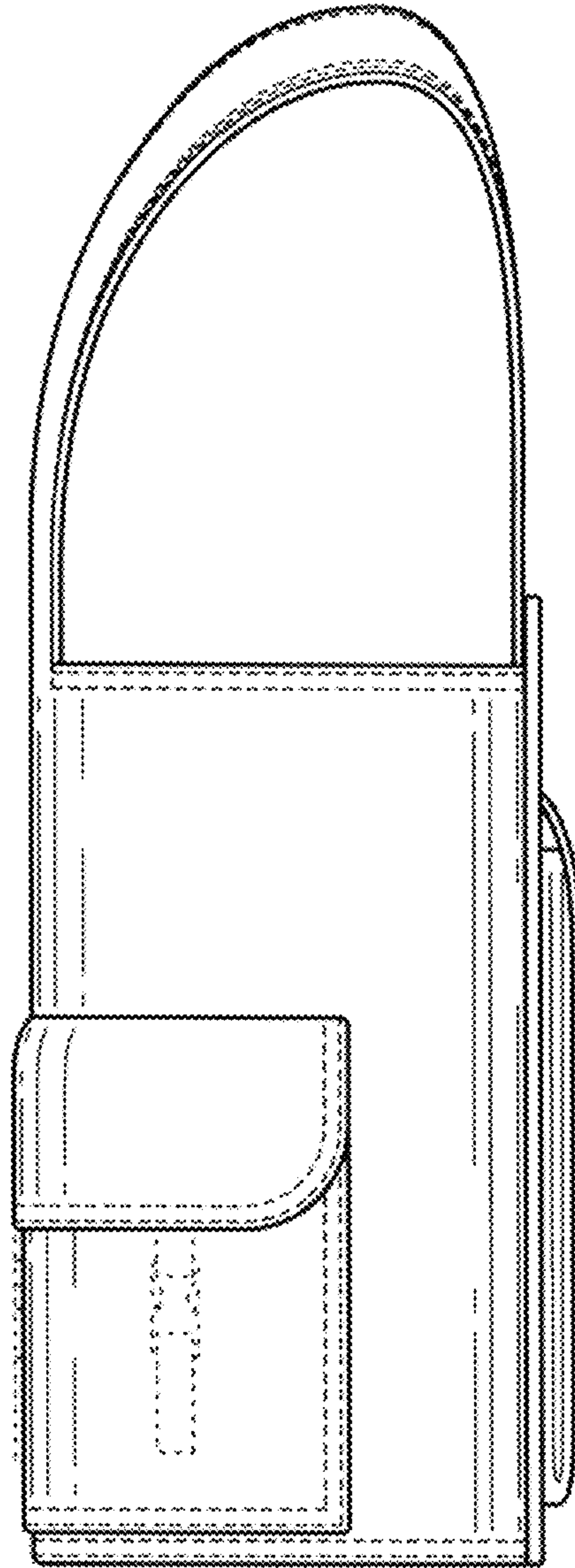


FIG. 4

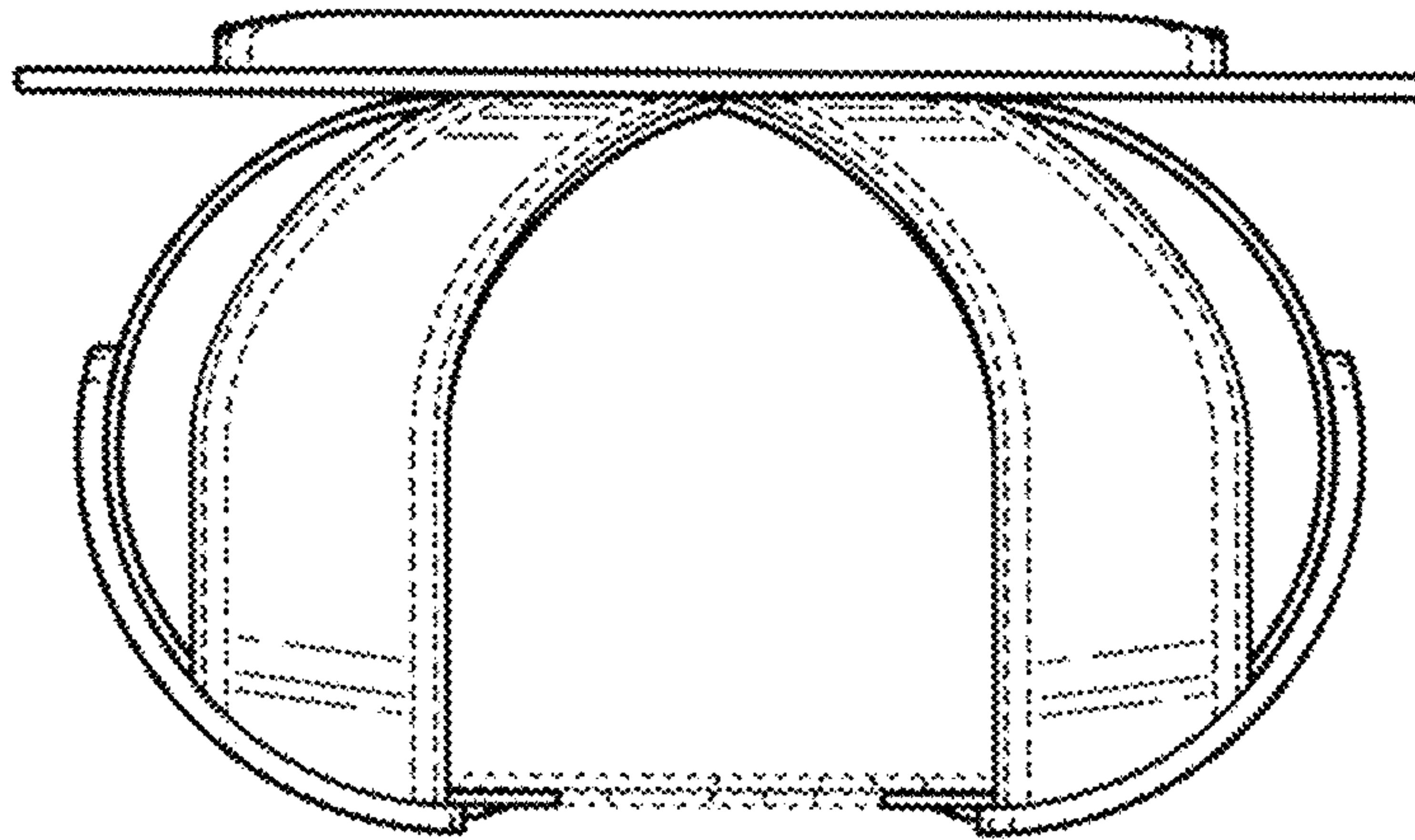


FIG. 5

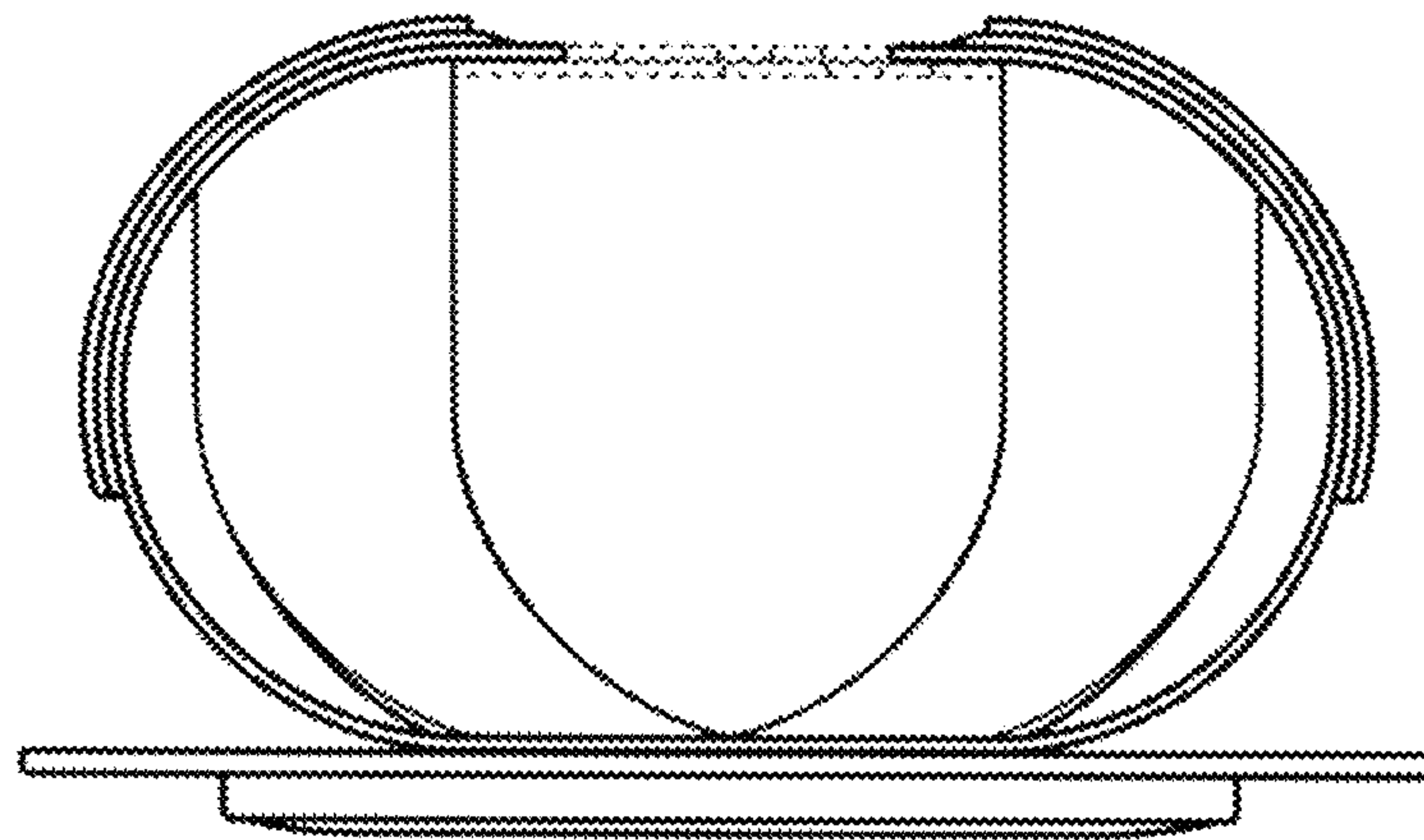


FIG. 6