



US00D863724S

(12) **United States Design Patent**
Ngangu

(10) **Patent No.:** **US D863,724 S**

(45) **Date of Patent:** **** Oct. 22, 2019**

(54) **UNDERGARMENT WITH ZIPPERED
POCKETS**

(71) Applicant: **Victorine D. Ngangu**, Los Angeles, CA
(US)

(72) Inventor: **Victorine D. Ngangu**, Los Angeles, CA
(US)

(**) Term: **15 Years**

(21) Appl. No.: **29/644,939**

(22) Filed: **Apr. 21, 2018**

(51) **LOC (12) Cl.** **02-01**

(52) **U.S. Cl.**
USPC **D2/712**

(58) **Field of Classification Search**
USPC D2/712, 738, 704; 2/400
CPC A41D 1/062; A41D 1/065; A41D 1/067;
A41D 1/08

See application file for complete search history.

(56) **References Cited**

U.S. PATENT DOCUMENTS

2,366,031	A *	12/1944	James	A41B 9/14 2/236
D258,770	S *	4/1981	Stern	D2/704
6,041,445	A *	3/2000	Davitt	A41B 9/007 2/247
D434,545	S *	12/2000	Maastricht	D2/731
D630,413	S *	1/2011	Calabria	D2/712
D632,055	S *	2/2011	Wynn	D2/712
D663,102	S *	7/2012	Hogg	D2/712
8,555,422	B2 *	10/2013	Steele	A41B 9/023 2/400

D716,525	S *	11/2014	Astin	D2/712
D756,069	S *	5/2016	Astin	D2/712
D820,557	S *	6/2018	Warman	D2/712
D846,232	S *	4/2019	Ngangu	D2/712
2007/0032771	A1 *	2/2007	Abed	A41B 9/001 604/385.22
2012/0084903	A1 *	4/2012	Roberts	A41B 9/02 2/400

* cited by examiner

Primary Examiner — Catherine R Oliver-Garcia

Assistant Examiner — J. Thorn, Sr.

(74) *Attorney, Agent, or Firm* — Inventech Patent Services, LLC

(57) **CLAIM**

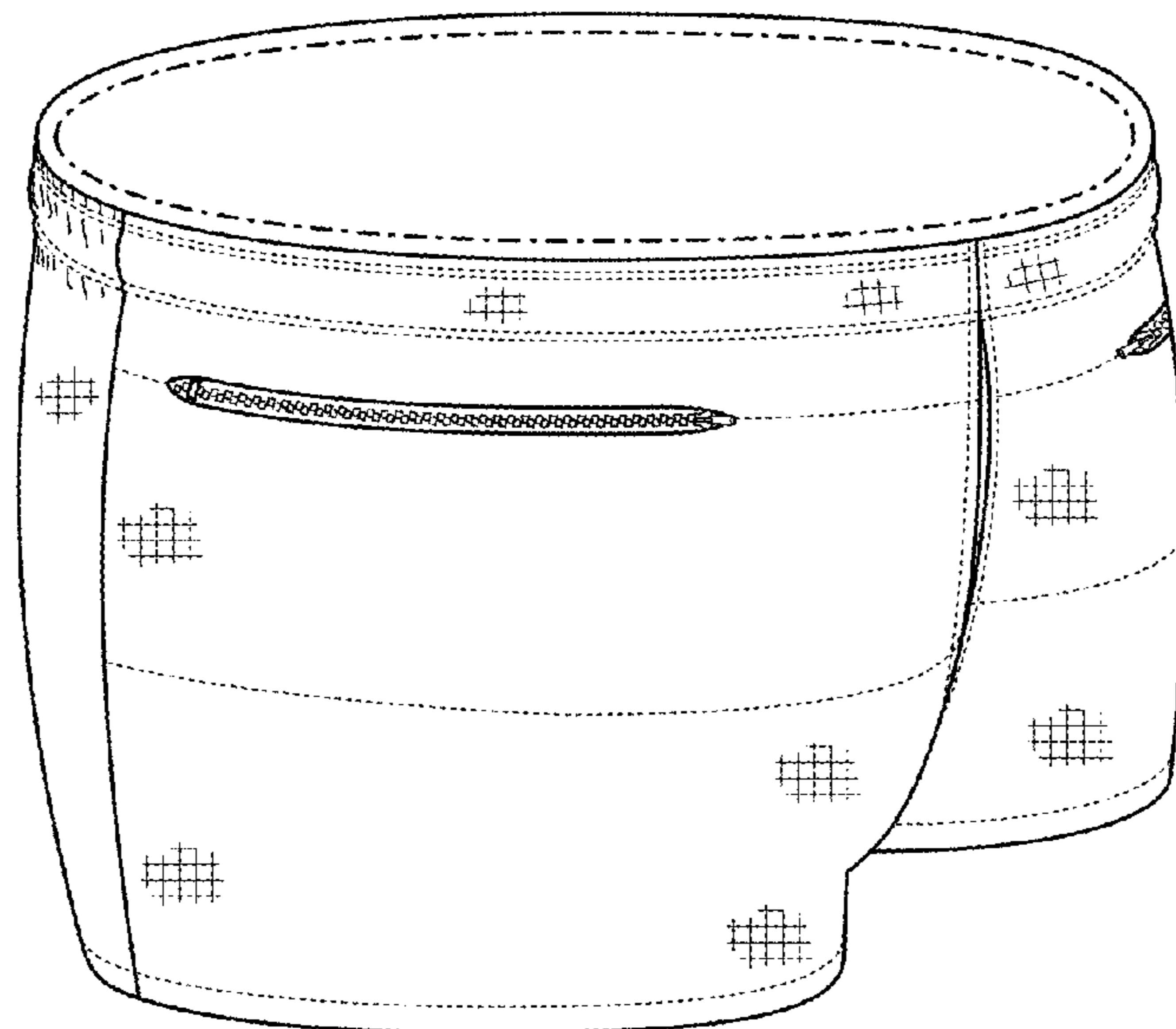
I claim the ornamental design for an undergarment with zippered pockets, as shown and described.

DESCRIPTION

FIG. 1 is a front perspective view of an undergarment with zippered pockets, showing my new design; FIG. 2 is a front elevational view thereof; FIG. 3 is a rear elevational view thereof; FIG. 4 is a first side elevational view thereof; FIG. 5 is a second side elevational view thereof; FIG. 6 is a top plan view thereof; and, FIG. 7 is a bottom plan view thereof.

The evenly dashed broken lines represent stitching and form no part of the claimed design. The areas demarcated by the dash-dot boundary lines represent areas forming no part of the claimed design.

1 Claim, 7 Drawing Sheets



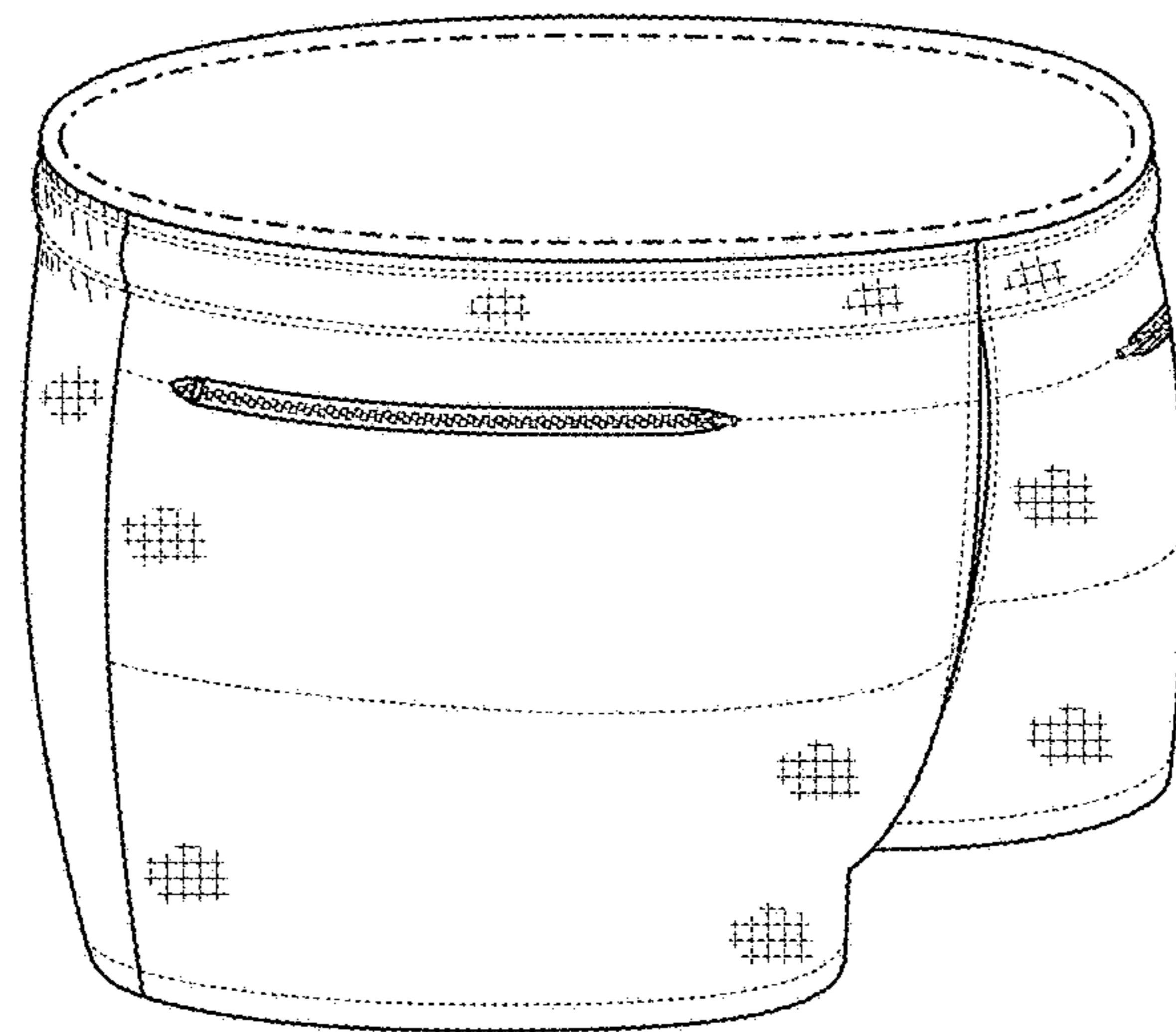


FIG. 1

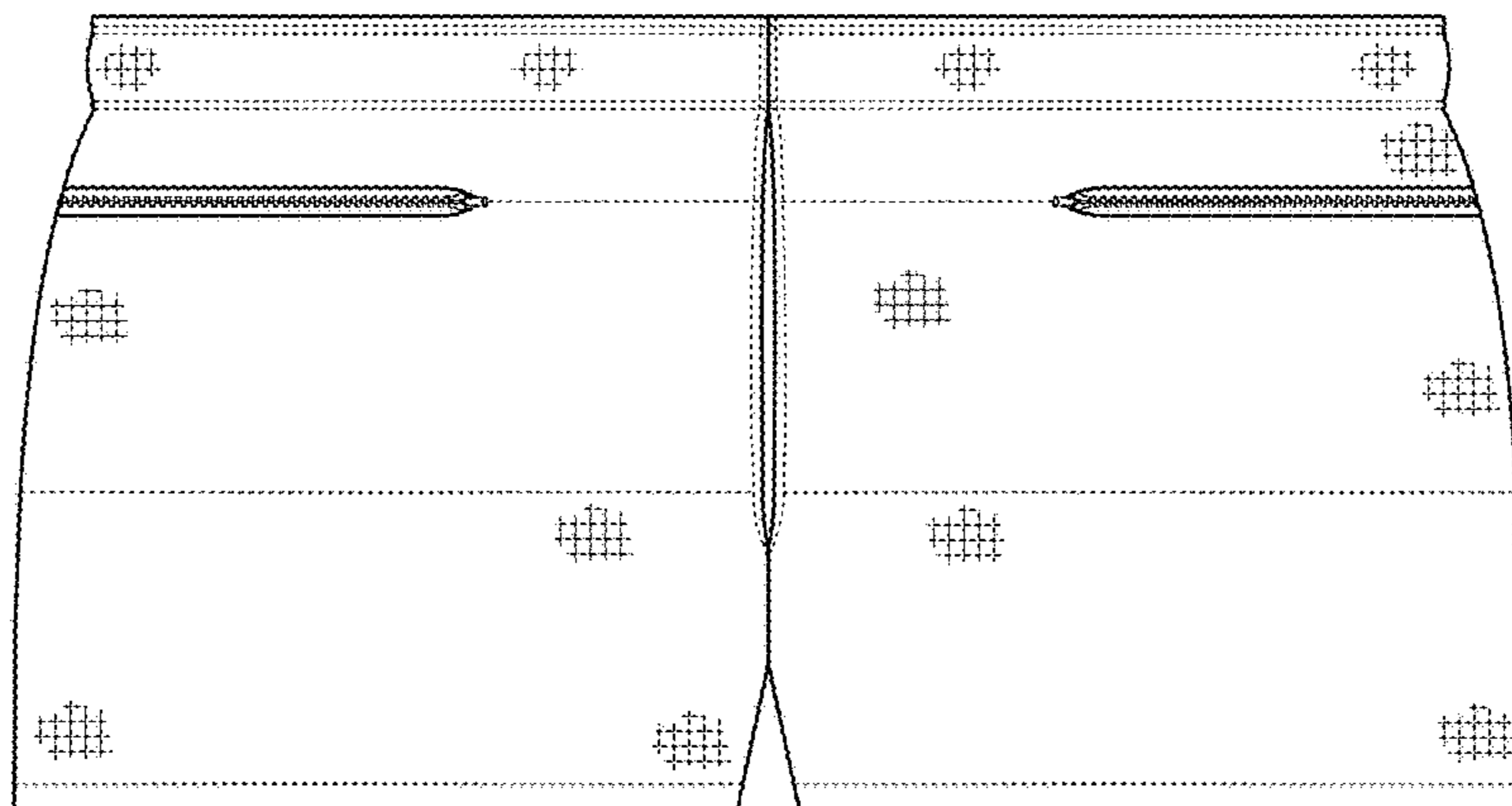


FIG. 2

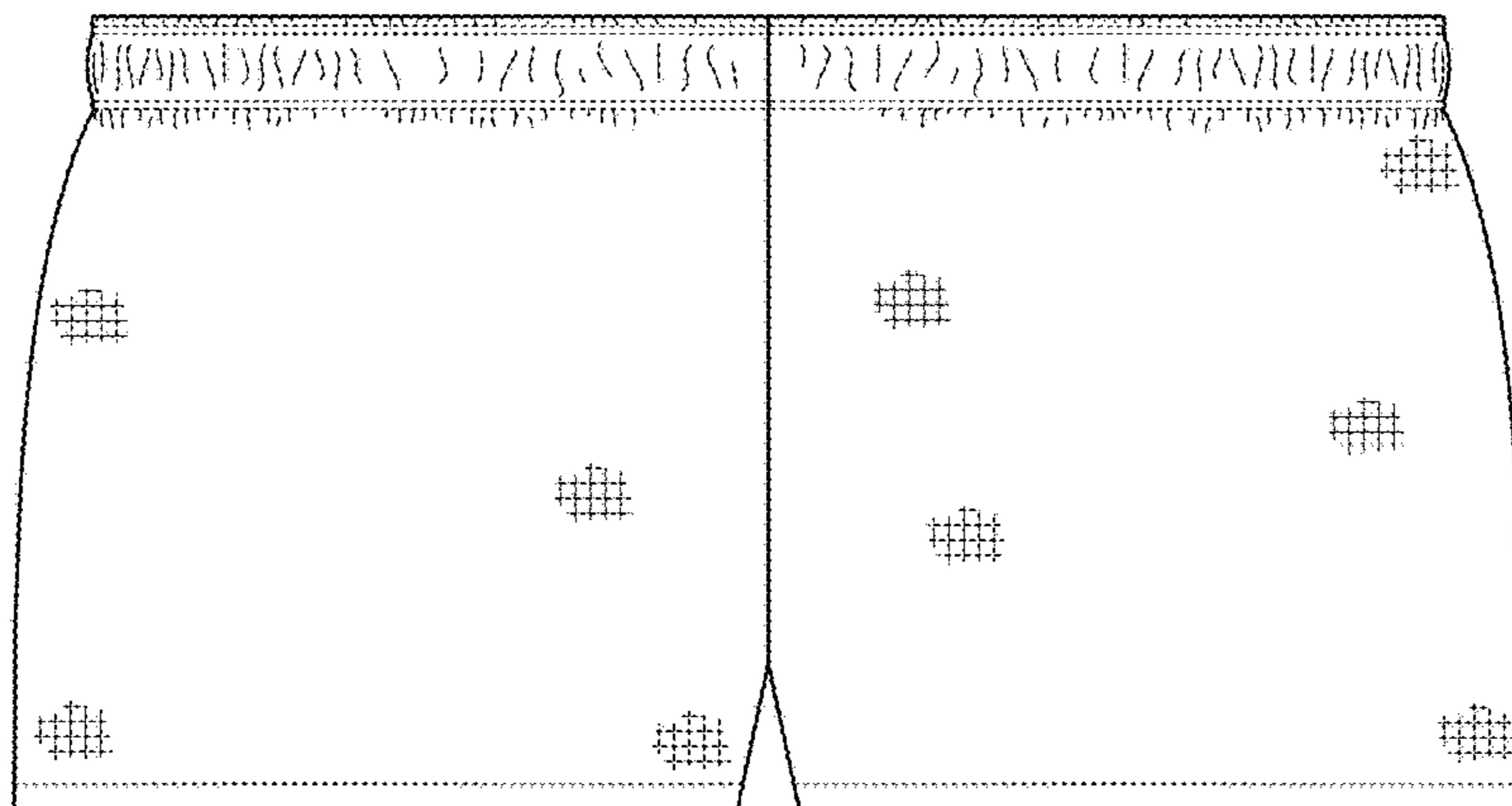


FIG. 3

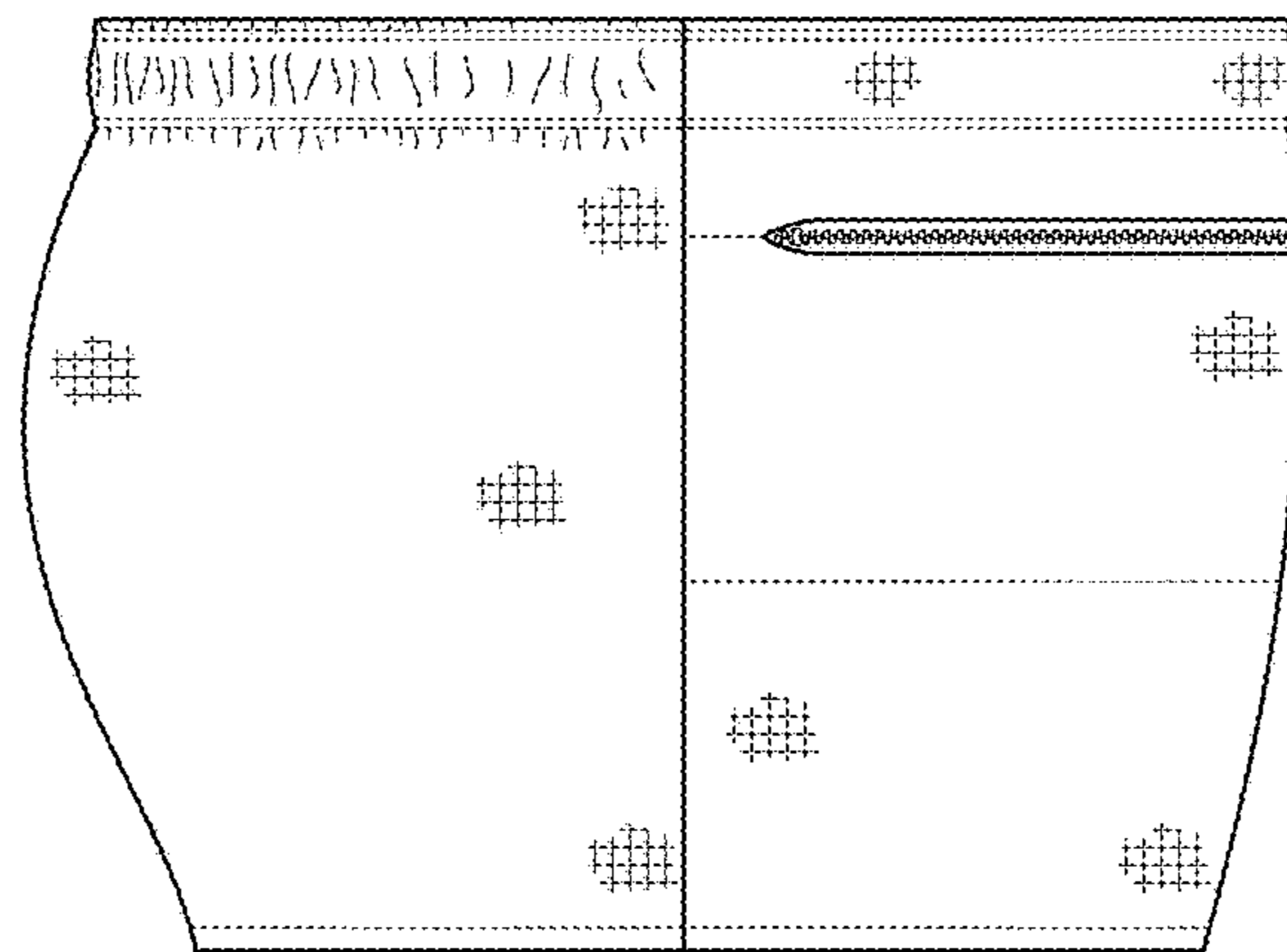


FIG. 4

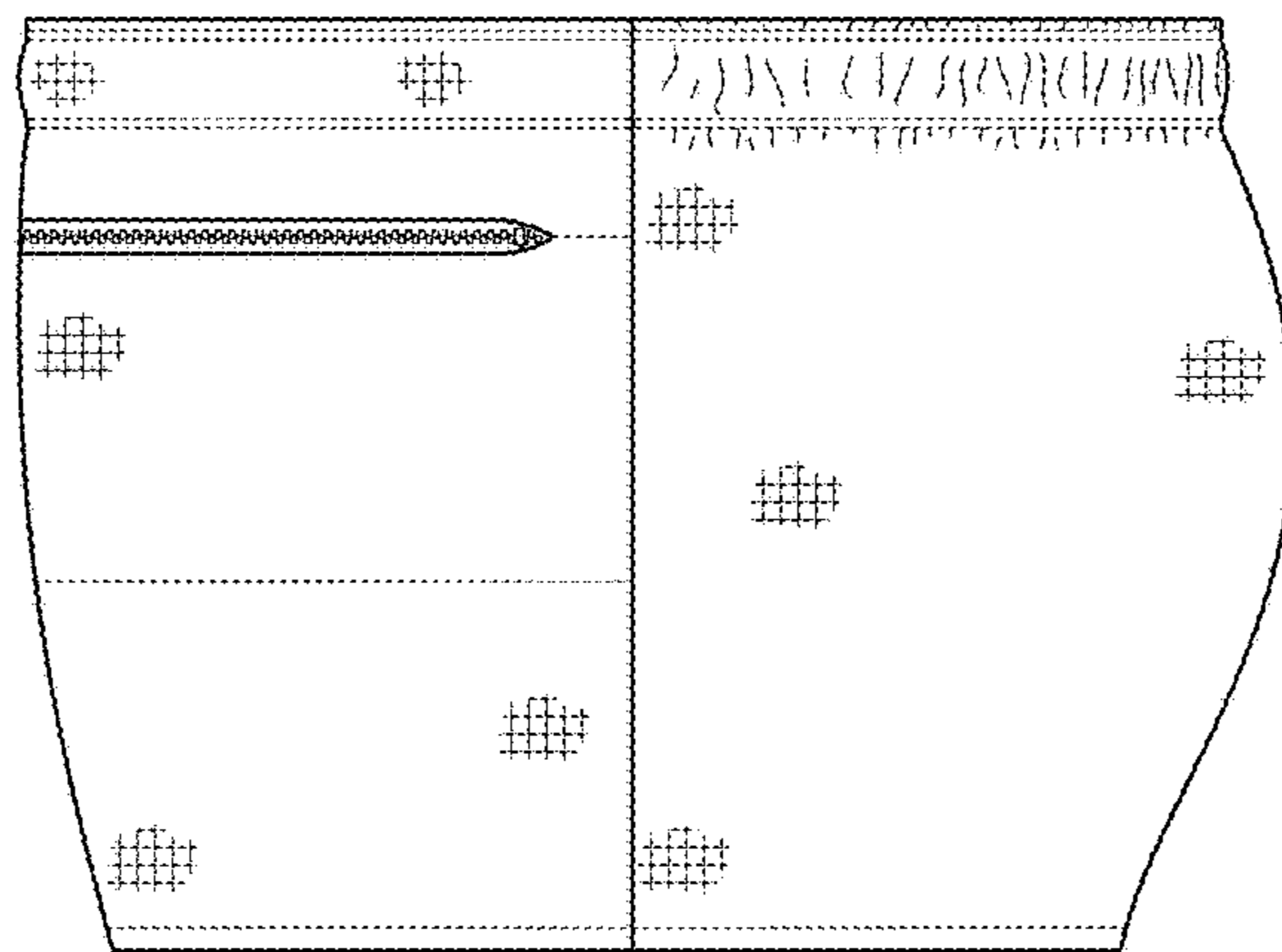


FIG. 5

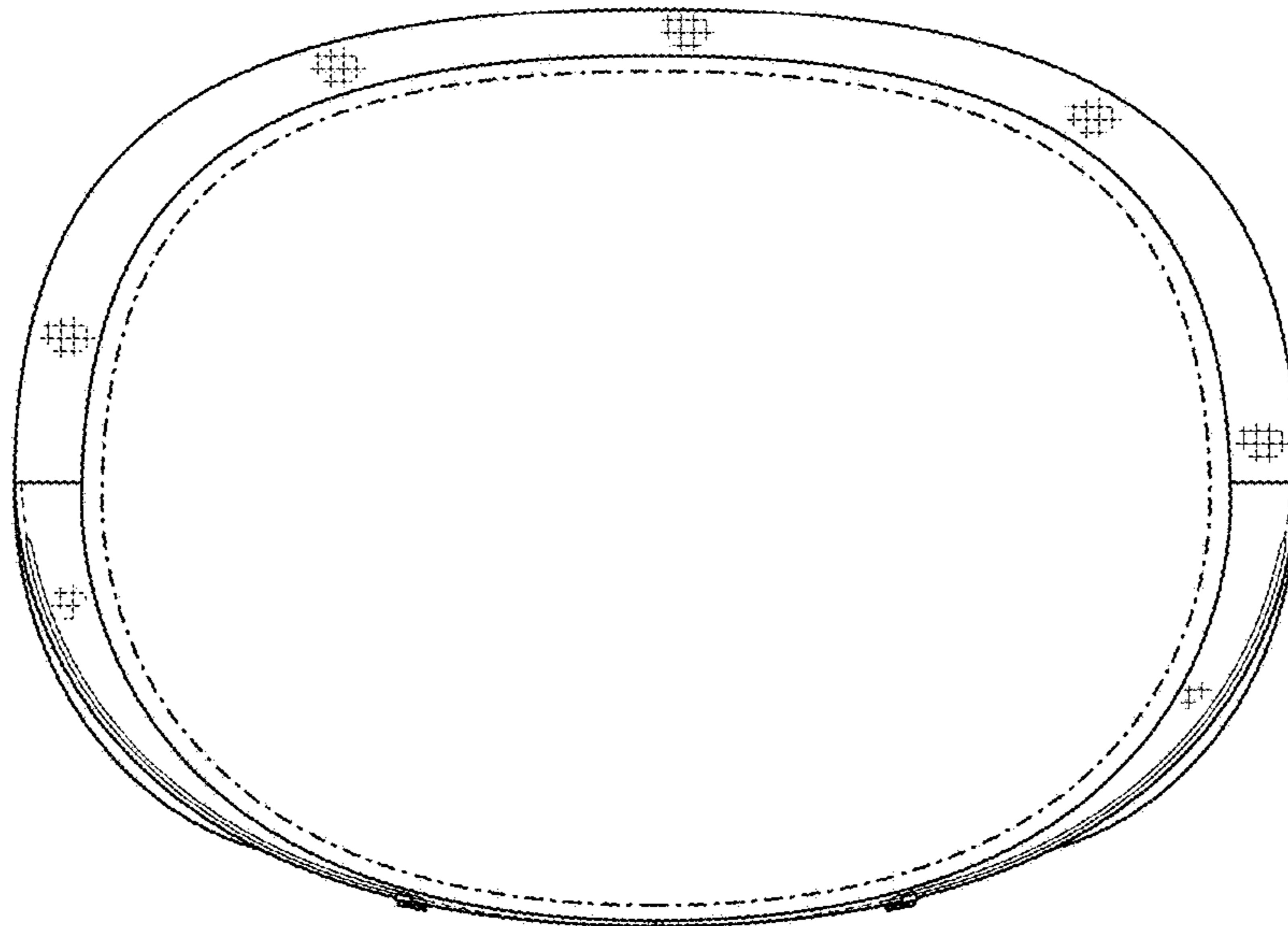


FIG. 6

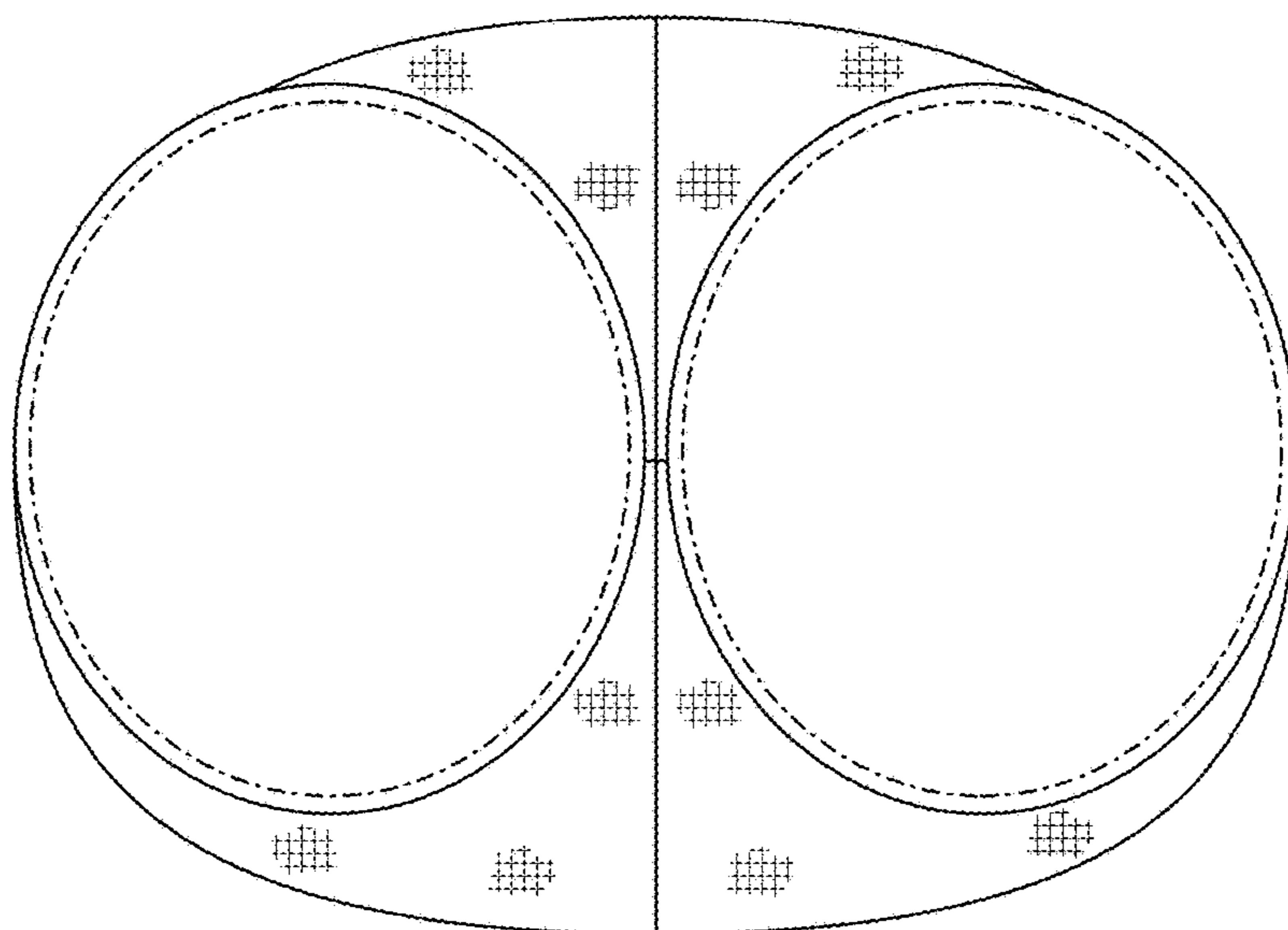


FIG. 7