



US00D863719S

(12) **United States Design Patent**  
**Elejalde et al.**

(10) **Patent No.:** **US D863,719 S**  
(45) **Date of Patent:** **\*\* Oct. 22, 2019**

(54) **CONFECTION**

- (71) Applicant: **Intercontinental Great Brands LLC**,  
East Hanover, NJ (US)
- (72) Inventors: **Cesar Elejalde**, Randolph, NJ (US);  
**Gigi Ng**, Whippany, NJ (US)
- (73) Assignee: **INTERCONTINENTAL GREAT  
BRANDS LLC**, East Hanover, NJ (US)
- (\*\*) Term: **15 Years**
- (21) Appl. No.: **29/649,644**
- (22) Filed: **May 31, 2018**

**Related U.S. Application Data**

- (62) Division of application No. 29/580,943, filed on Oct. 14, 2016, now Pat. No. Des. 822,331.
- (51) **LOC (12) Cl.** ..... **01-01**
- (52) **U.S. Cl.**  
USPC ..... **D1/127**
- (58) **Field of Classification Search**  
USPC ..... D1/100–130, 199; 426/5, 76, 87, 92, 94,  
426/95, 99, 101, 103, 108, 138–139, 143,  
(Continued)

(56) **References Cited**

**U.S. PATENT DOCUMENTS**

- 821,245 A \* 5/1906 Hutchinson ..... A45D 40/24  
206/229
- 1,096,909 A \* 5/1914 Harvey ..... B65D 85/1027  
206/264

(Continued)

*Primary Examiner* — Katie Jane Stofko

(74) *Attorney, Agent, or Firm* — Cantor Colburn LLP

(57) **CLAIM**

We claim, the ornamental design for a confection, as shown and described.

**DESCRIPTION**

FIG. 1 is a perspective view of a confection, showing our new design in a first exemplary embodiment;

FIG. 2 is a top plan view of the embodiment shown in FIG. 1;  
 FIG. 3 is a bottom plan view of the embodiment shown in FIG. 1;  
 FIG. 4 is a side elevation view of the embodiment shown in FIG. 1;  
 FIG. 5 is another side elevation view of the embodiment shown in FIG. 1;  
 FIG. 6 is a front elevation view of the embodiment shown in FIG. 1;  
 FIG. 7 is a back elevation view of the embodiment shown in FIG. 1;  
 FIG. 8 is a perspective view of a confection, showing our new design in a second exemplary embodiment;  
 FIG. 9 is a top plan view of the embodiment shown in FIG. 8;  
 FIG. 10 is a bottom plan view of the embodiment shown in FIG. 8;  
 FIG. 11 is a side elevation view of the embodiment shown in FIG. 8;  
 FIG. 12 is another side elevation view of the embodiment shown in FIG. 8;  
 FIG. 13 is a front elevation view of the embodiment shown in FIG. 8;  
 FIG. 14 is a back elevation view of the embodiment shown in FIG. 8;  
 FIG. 15 is a perspective view of a confection, showing our new design in a third exemplary embodiment;  
 FIG. 16 is a top plan view of the embodiment shown in FIG. 15;  
 FIG. 17 is a bottom plan view of the embodiment shown in FIG. 15;  
 FIG. 18 is a side elevation view of the embodiment shown in FIG. 15;  
 FIG. 19 is another side elevation view of the embodiment shown in FIG. 15;  
 FIG. 20 is a front elevation view of the embodiment shown in FIG. 15;  
 FIG. 21 is a back elevation view of the embodiment shown in FIG. 15;  
 FIG. 22 is a perspective view of a confection, showing our new design in a fourth exemplary embodiment;  
 FIG. 23 is a top plan view of the embodiment shown in FIG. 22;

(Continued)

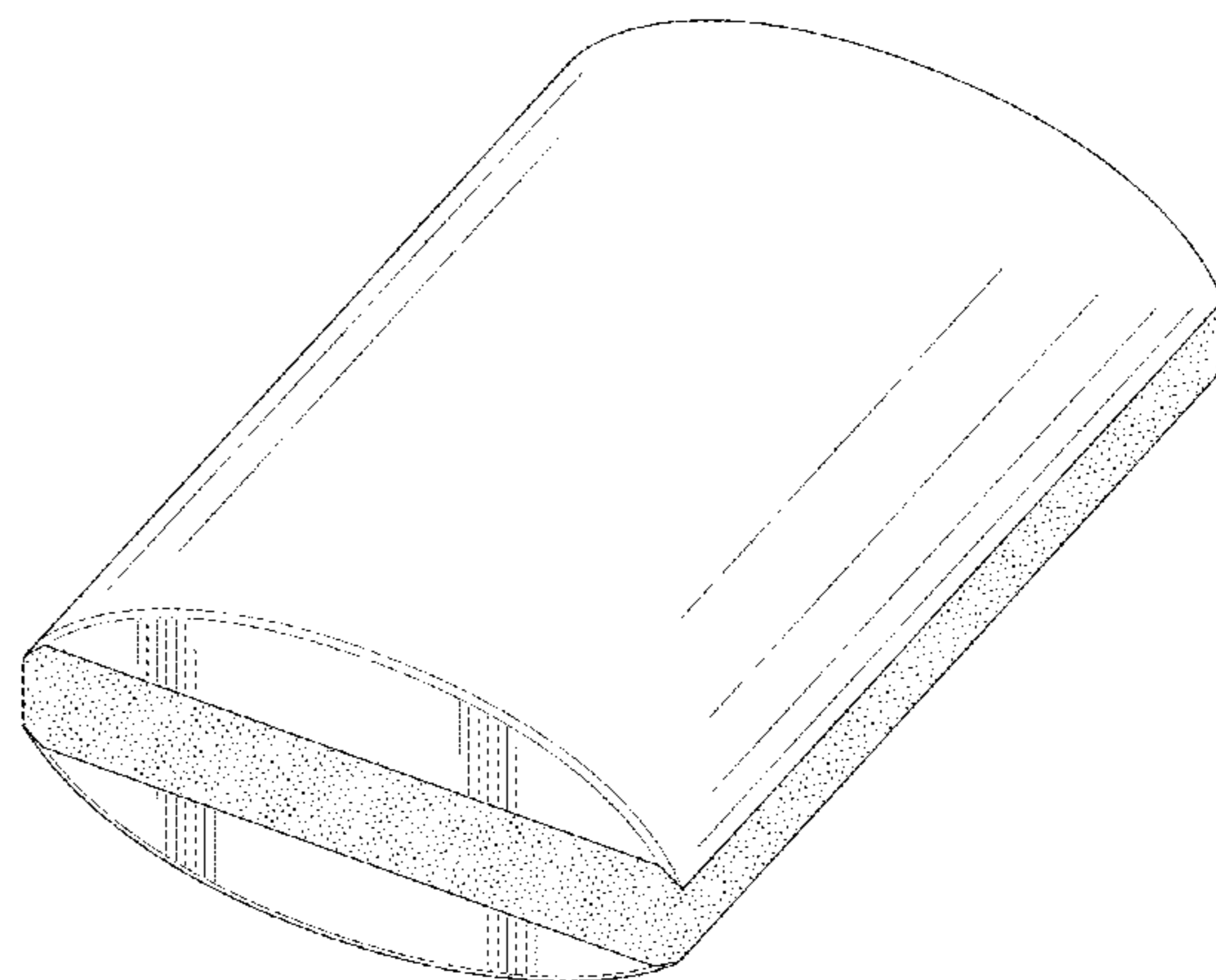
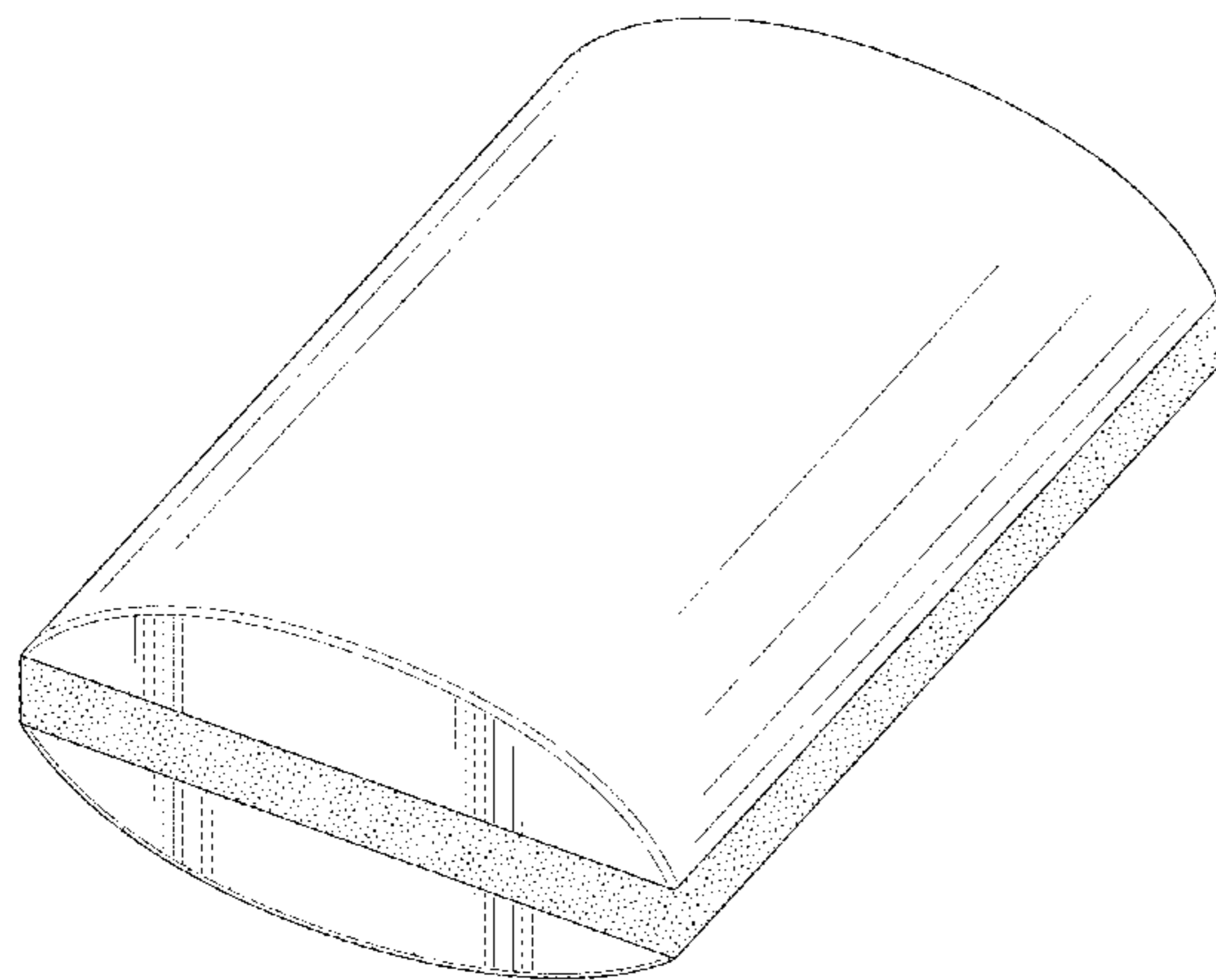


FIG. 24 is a bottom plan view of the embodiment shown in FIG. 22;  
 FIG. 25 is a side elevation view of the embodiment shown in FIG. 22;  
 FIG. 26 is another side elevation view of the embodiment shown in FIG. 22;  
 FIG. 27 is a front elevation view of the embodiment shown in FIG. 22; and,  
 FIG. 28 is a back elevation view of the embodiment shown in FIG. 22.  
 The lighter stipple shading shown in FIGS. 1-7 and 15-21 represent a contrast in appearance between the stippled layer and the non-stippled layers.  
 The heavier stipple shading shown in FIGS. 8-14 and 22-28 represents contrast in appearance between the stippled region and non-stippled region.  
 The lighter stipple shading in FIGS. 1-7 and 15-21 and the heavier stipple shading in FIGS. 8-14 and 22-28 shown in the drawings represent a contrasting appearance.

**1 Claim, 24 Drawing Sheets**

(58) **Field of Classification Search**

USPC ..... 426/144, 279, 282, 283, 391, 514, 549,  
 426/660, 72, 582; D13/100;  
 D24/101-104; D28/8.1; 424/438, 440,  
 424/464, 470-472; 425/195; 34/296;  
 D6/601; D10/108  
 CPC .. A61K 9/2072; A61K 9/0004; A61K 9/2095;  
 A61K 9/209

See application file for complete search history.

(56)

**References Cited**

U.S. PATENT DOCUMENTS

1,234,279	A *	7/1917	Buchanan .....	A24B 13/00 131/366
2,613,185	A *	10/1952	Marshall .....	C11D 17/00 510/145
2,685,517	A *	8/1954	Dunmire .....	A23K 40/10 100/906
D265,977	S *	8/1982	Strongwater .....	D9/424
D271,534	S	11/1983	Huzinec	
D273,051	S *	3/1984	Runyon .....	D28/76
4,822,622	A	4/1989	Dokuzovic et al.	
D439,447	S	3/2001	Diekman	
D447,836	S *	9/2001	Beaujean .....	D28/8.1
D482,498	S	11/2003	Jeong	
6,896,435	B1 *	5/2005	Rink .....	C11D 17/02 401/88
7,178,630	B1	2/2007	Perdue	
D557,602	S	12/2007	Terrasi	
D605,828	S *	12/2009	Brown .....	D1/127
D616,177	S	5/2010	Brown et al.	
D617,079	S *	6/2010	Brown .....	D1/127
D694,486	S	12/2013	Jani et al.	
D695,857	S	12/2013	Sterios	
D703,772	S *	4/2014	Sterios .....	D21/688
D729,974	S	5/2015	Sommarstrom et al.	
D784,602	S	4/2017	Sommarstrom et al.	
D784,604	S	4/2017	Sommarstrom et al.	
2009/0214720	A1 *	8/2009	Almenares .....	A23G 9/48 426/101

\* cited by examiner

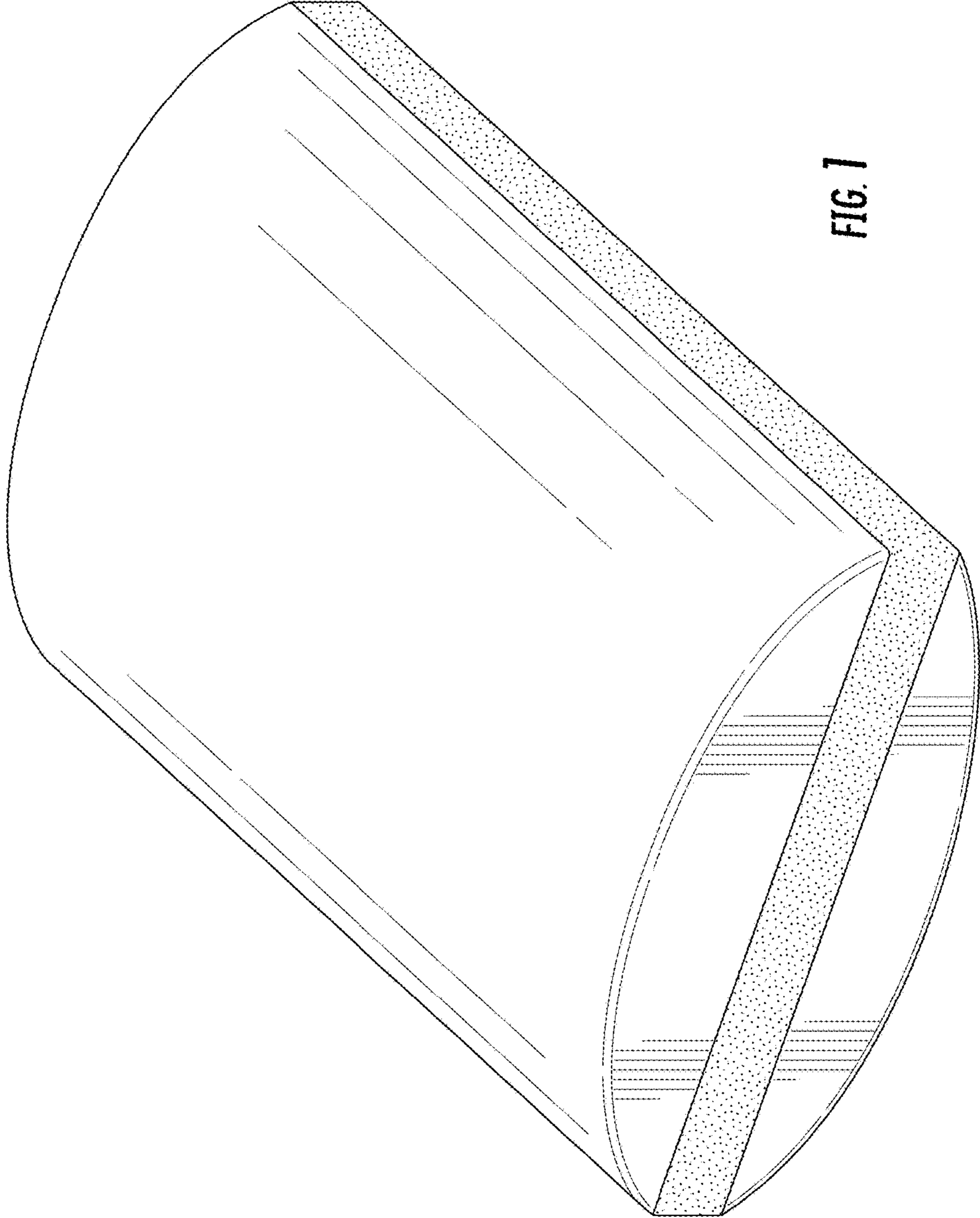


FIG. 7

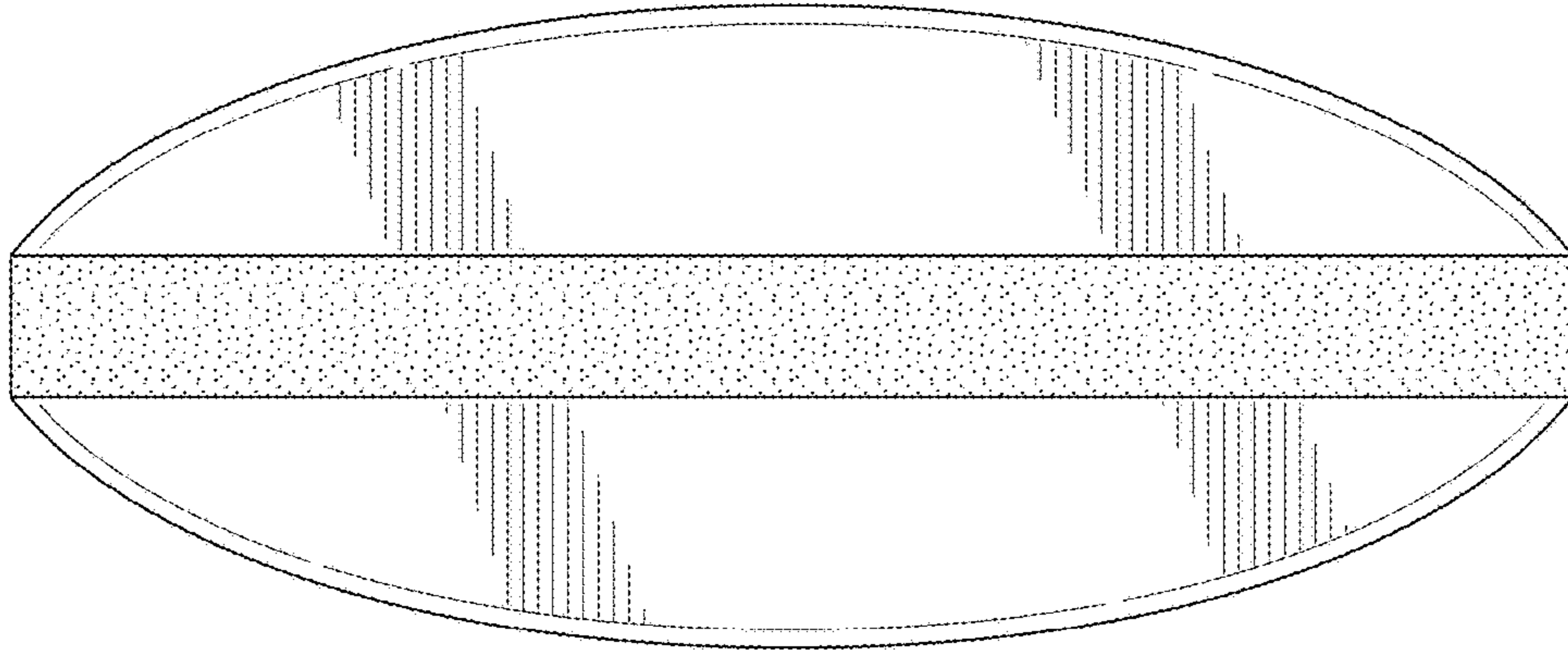


FIG. 2

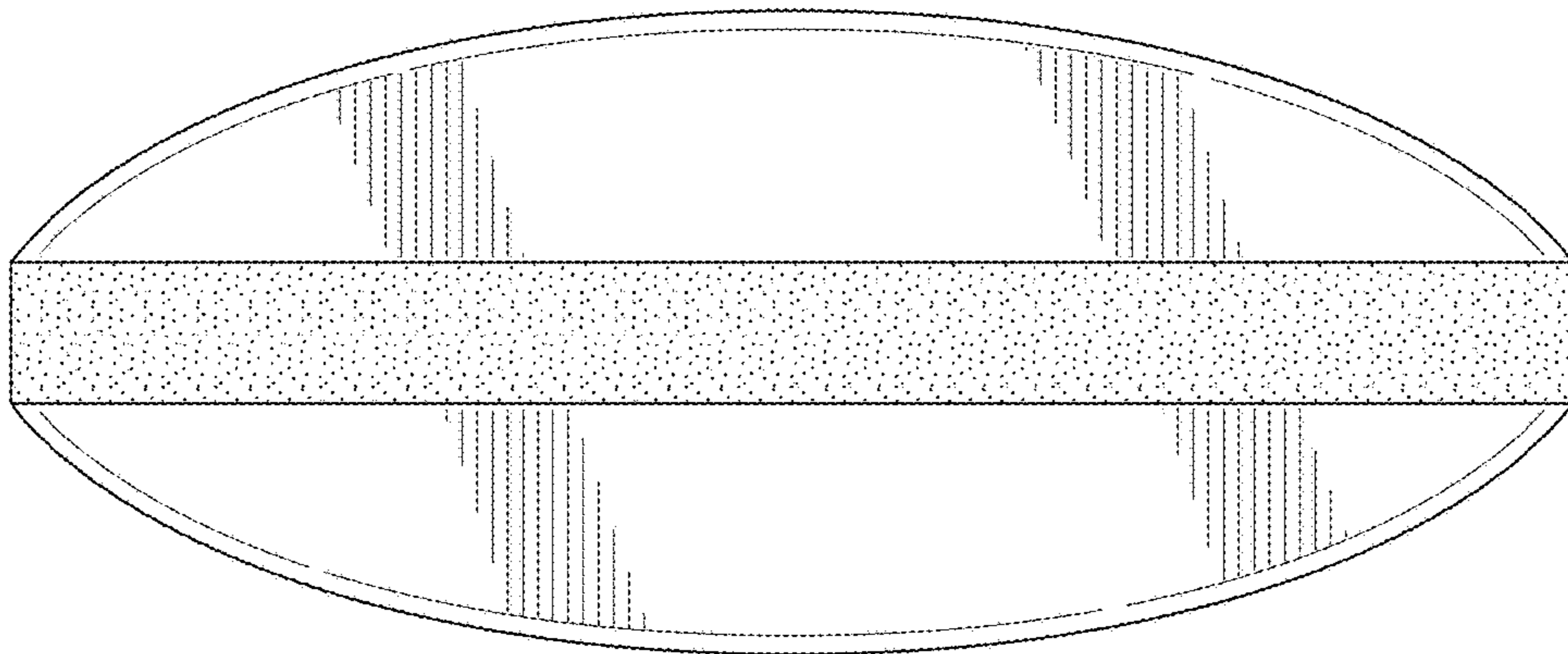


FIG. 3

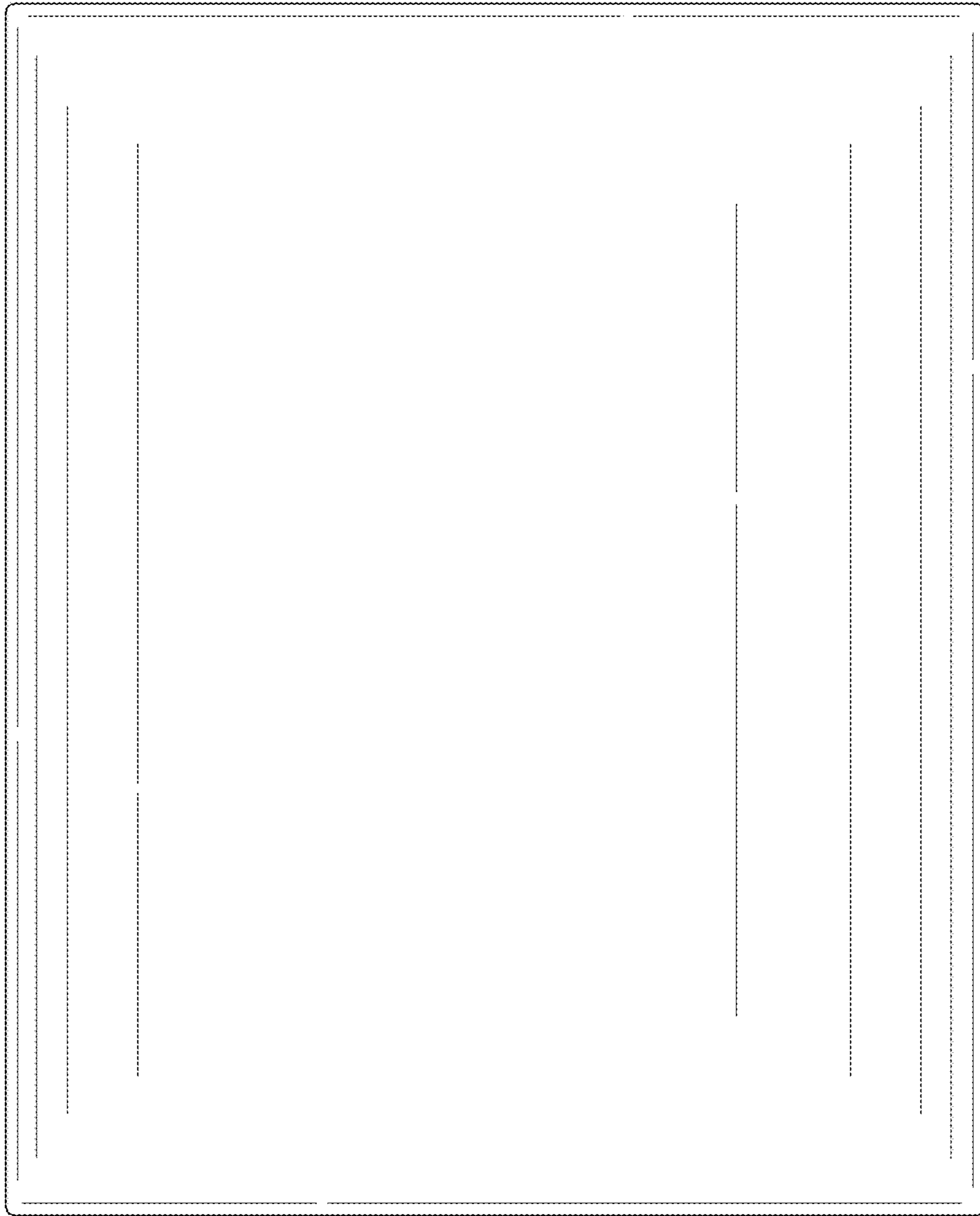


FIG. 4

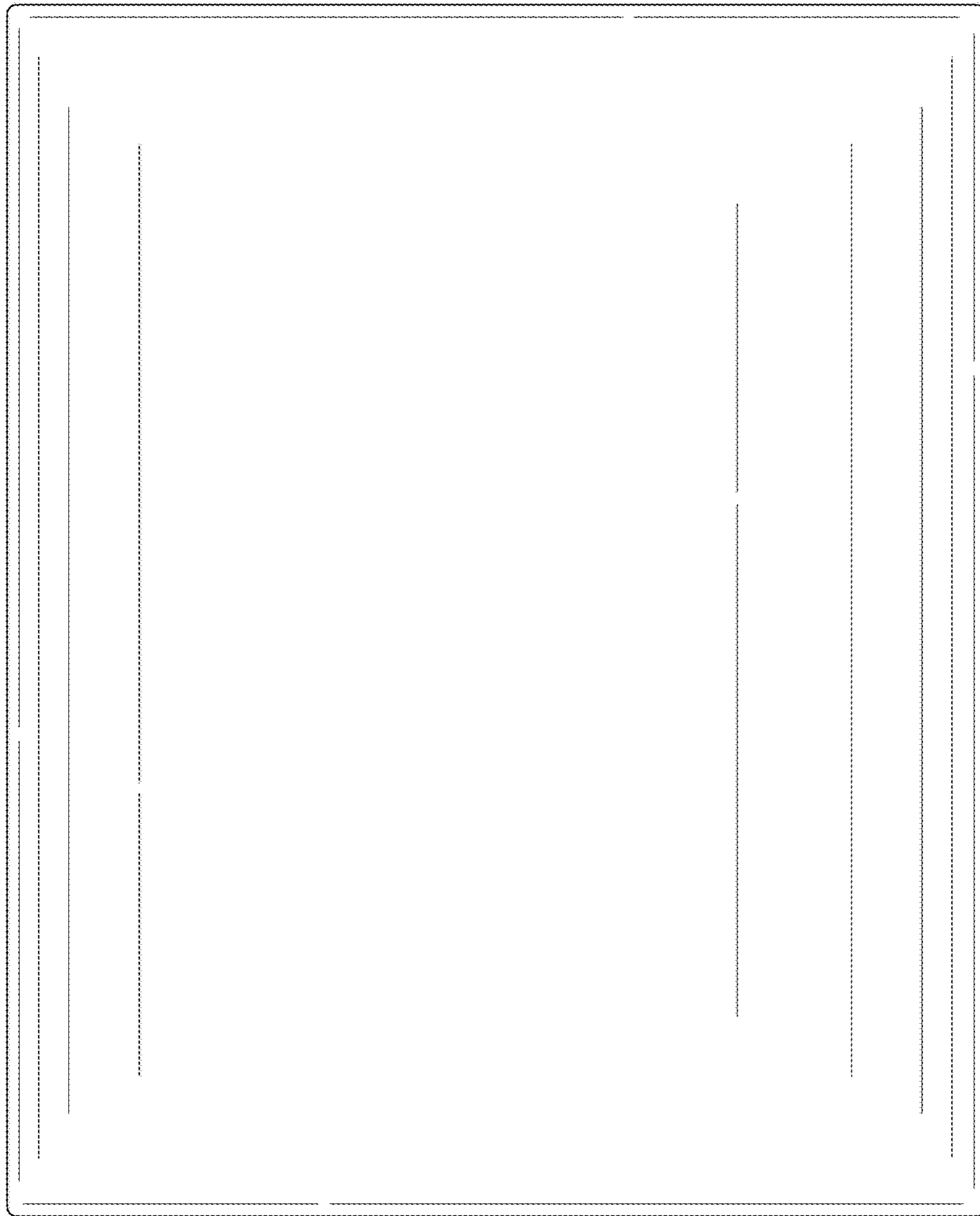


FIG. 5

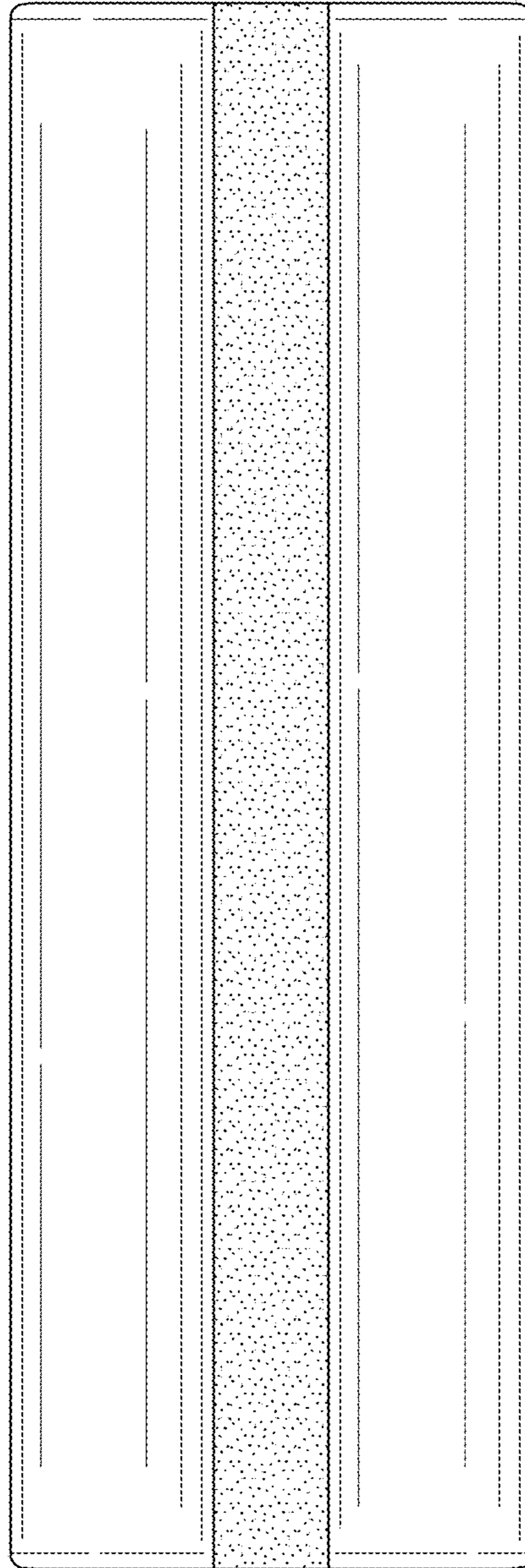


FIG. 6

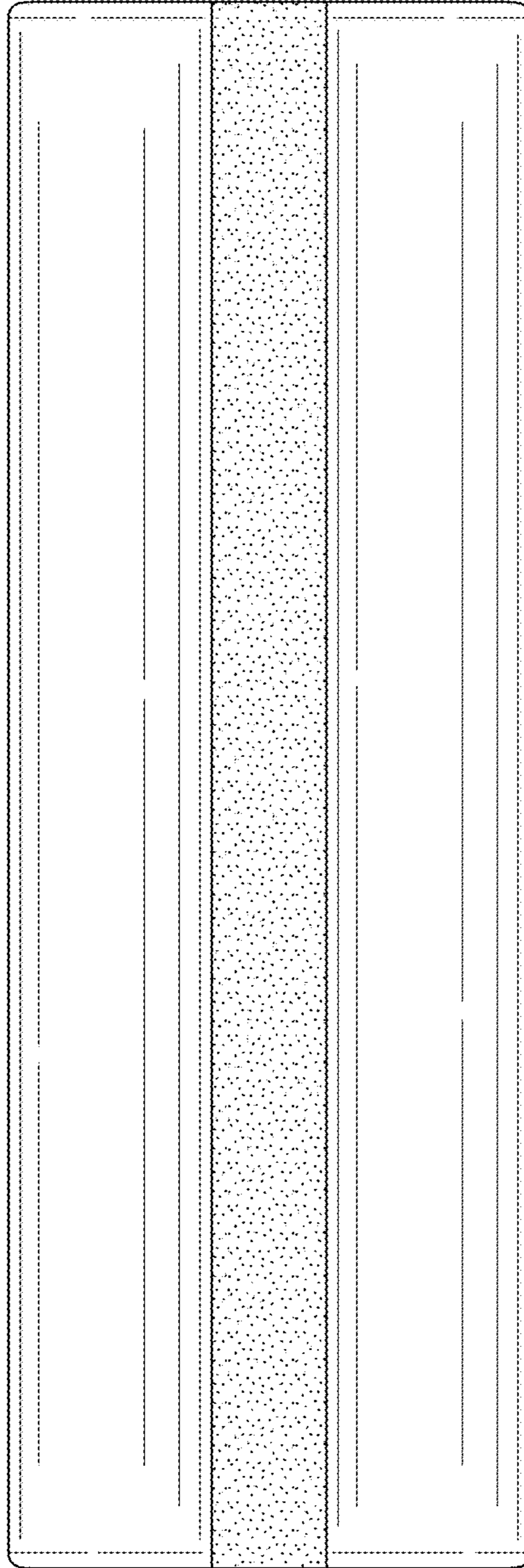


FIG. 7



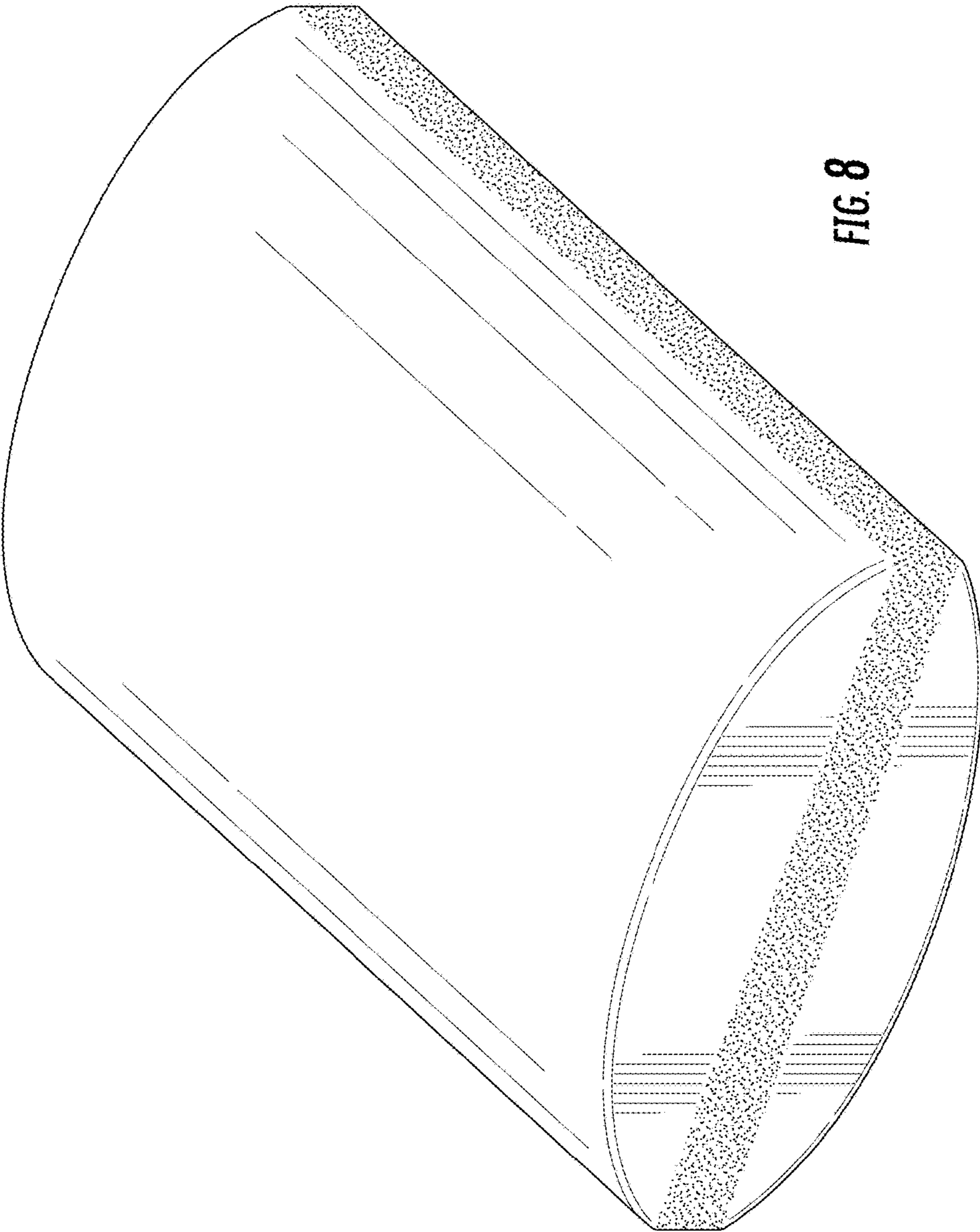


FIG. 8

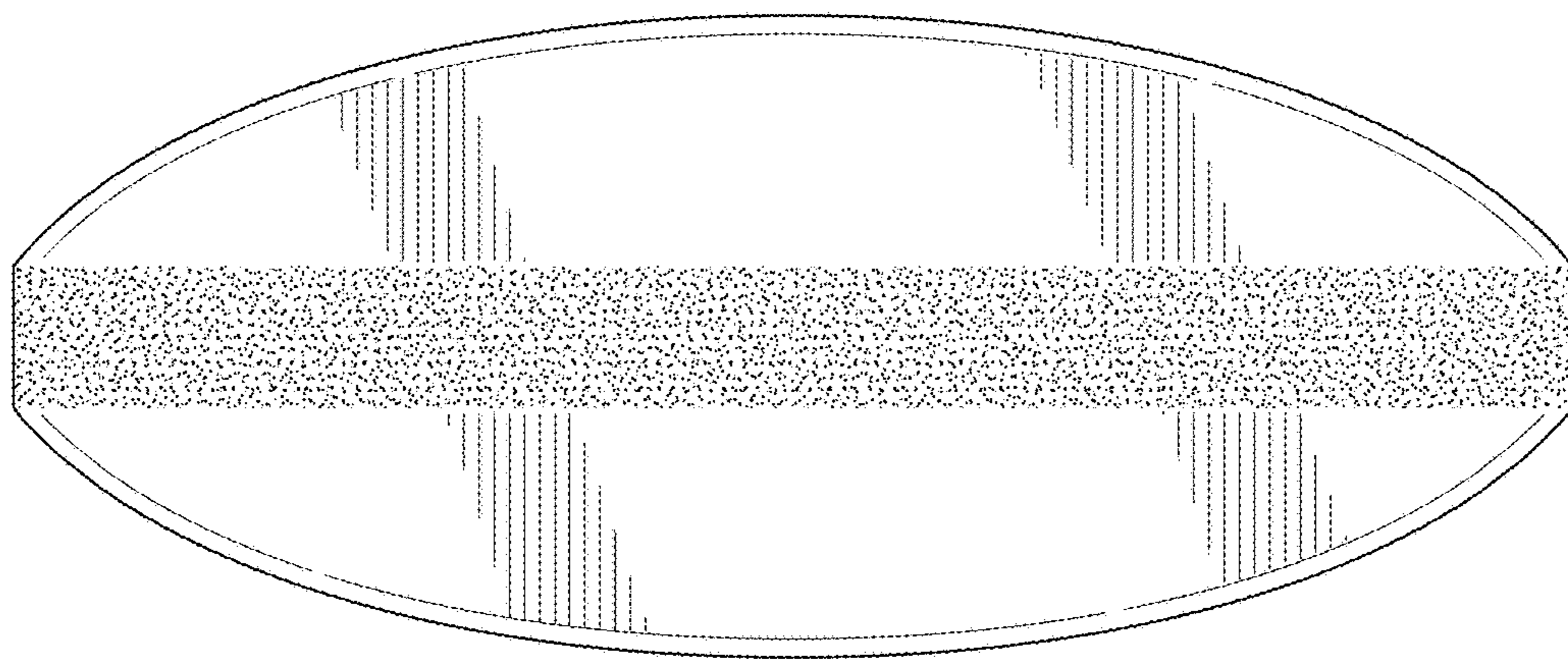


FIG. 9

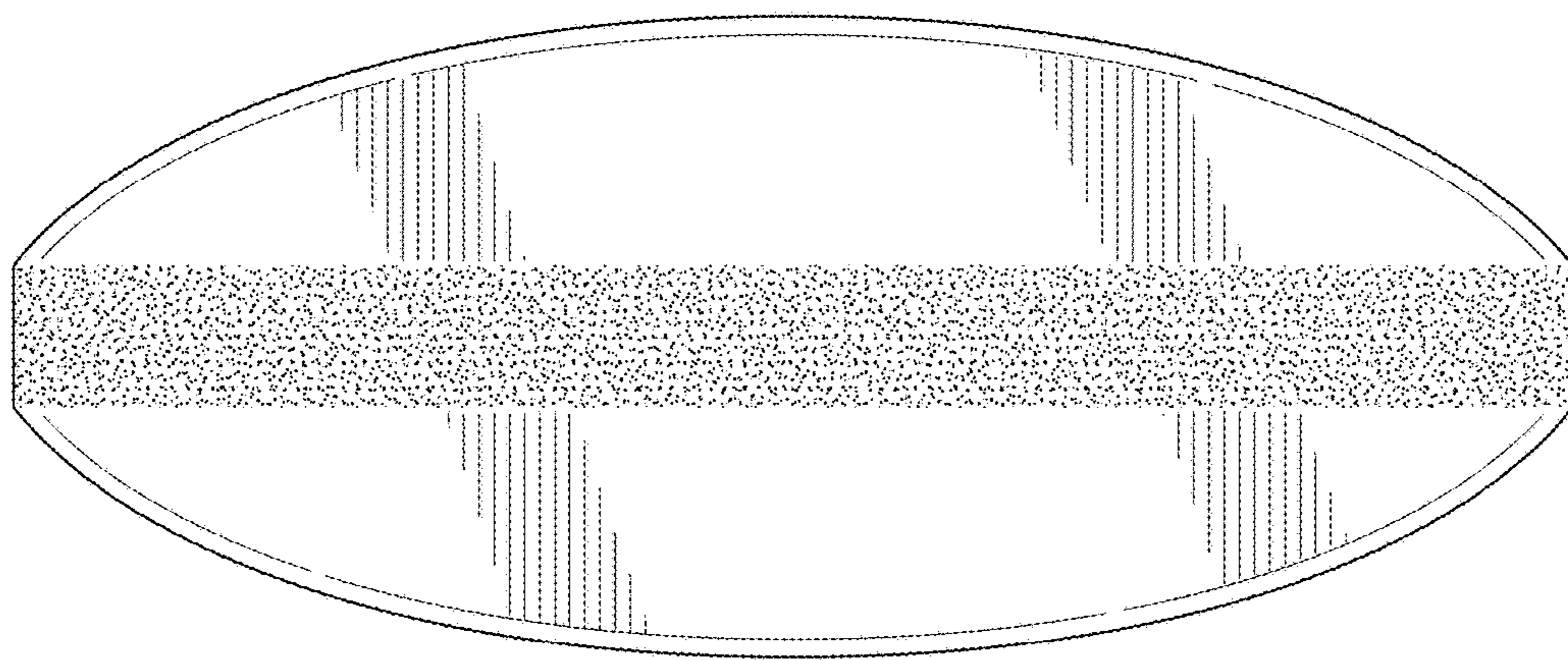
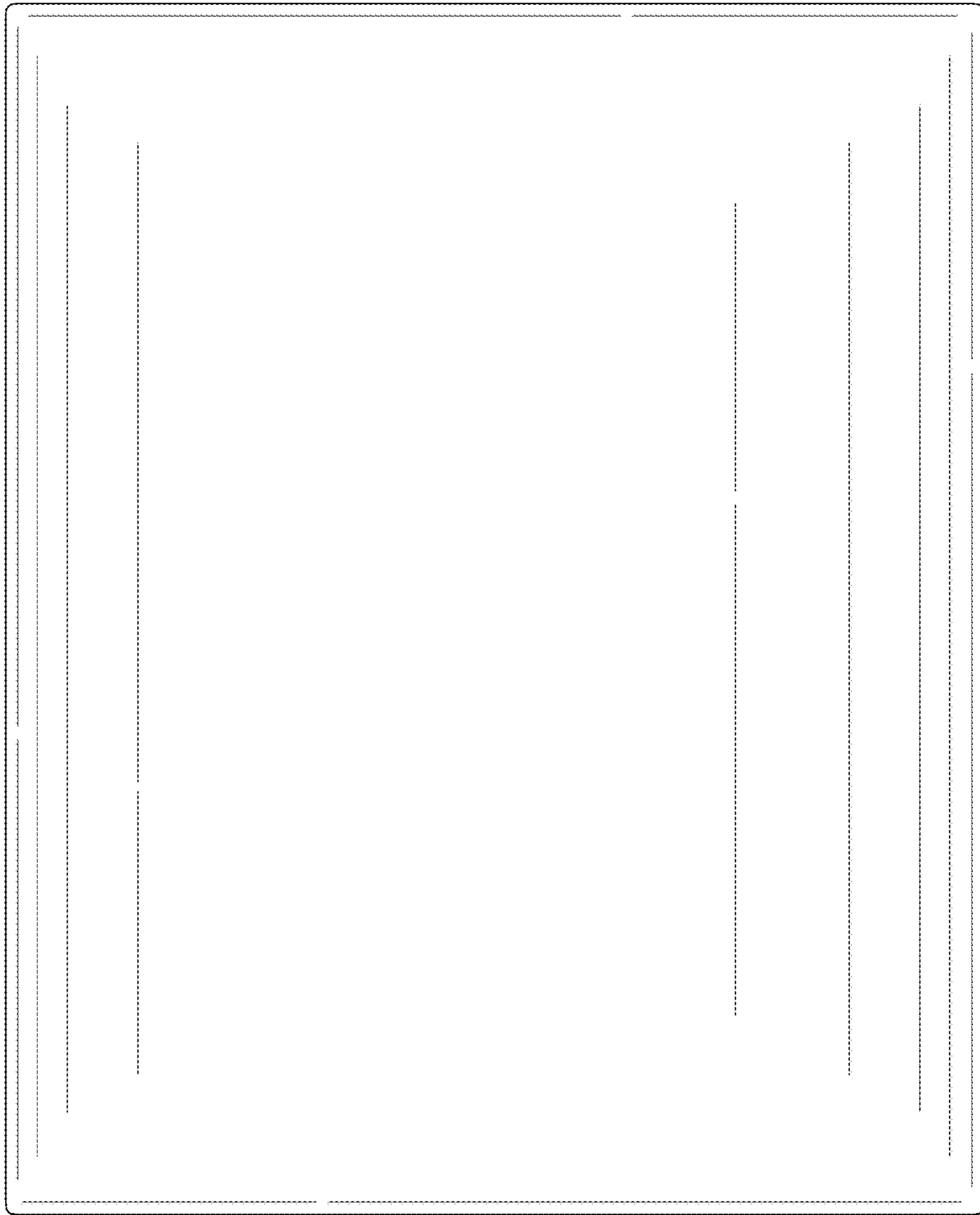
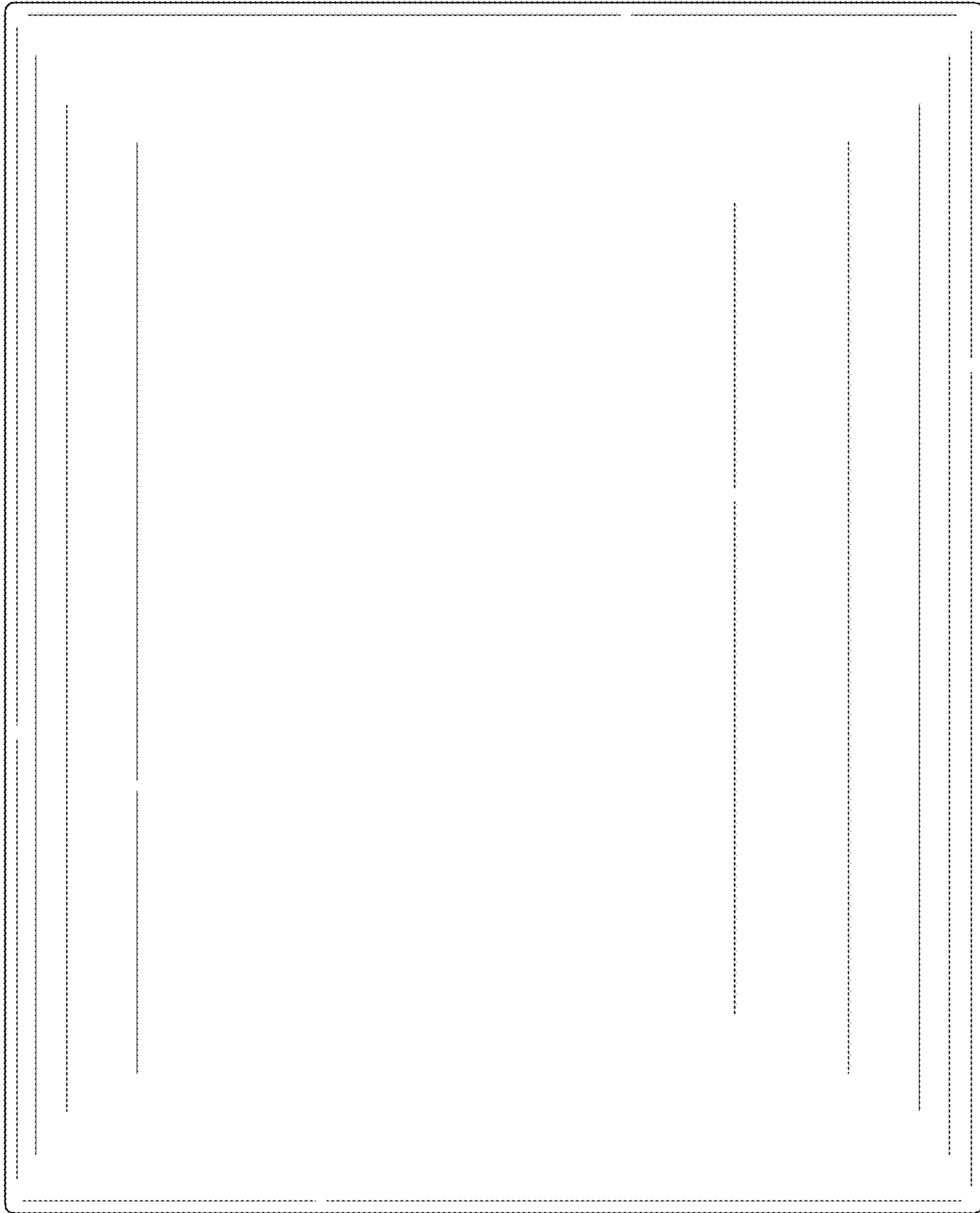


FIG. 10



**FIG. 11**



**FIG. 12**

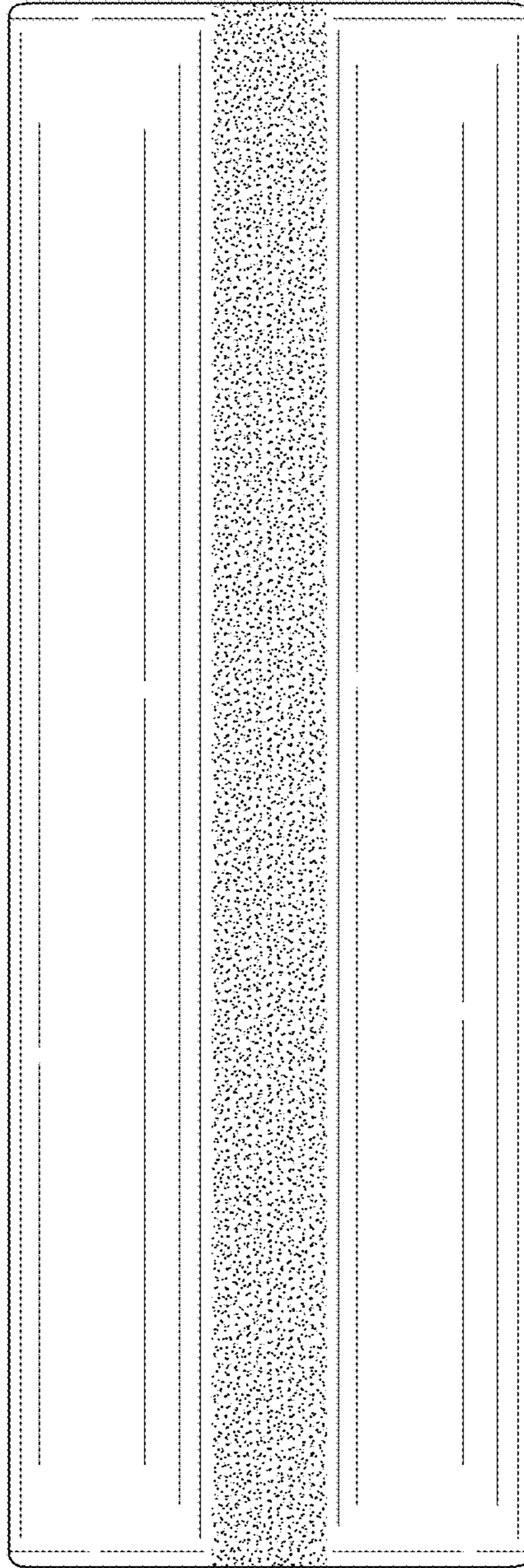


FIG. 13

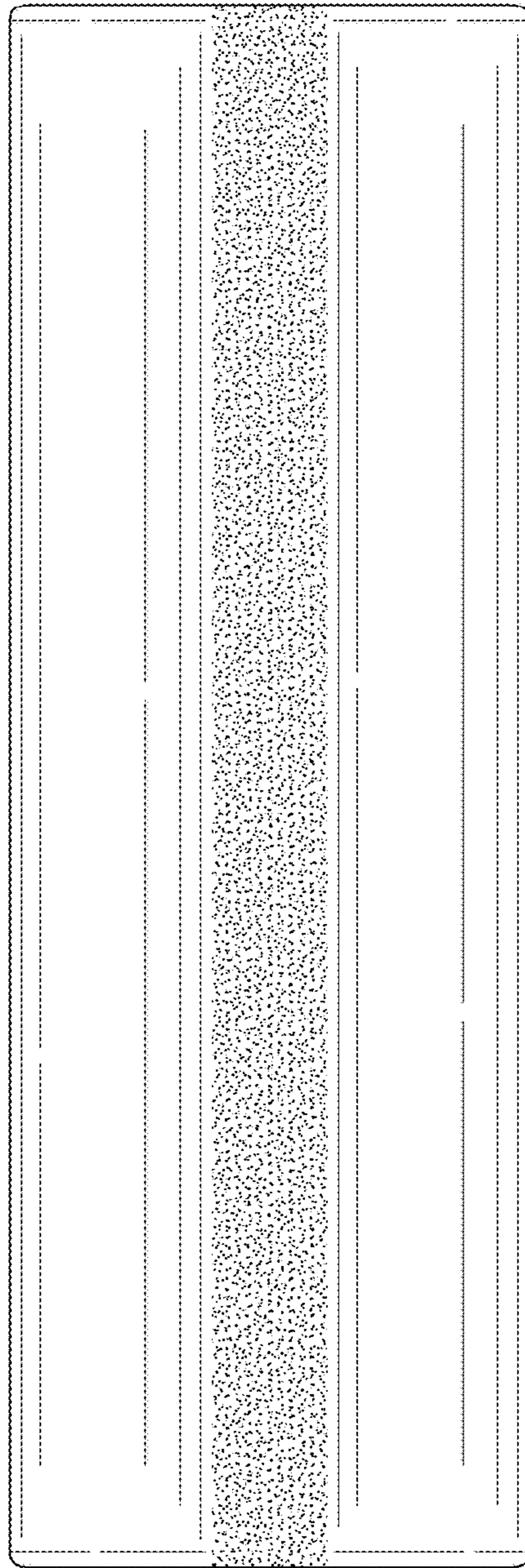


FIG. 14

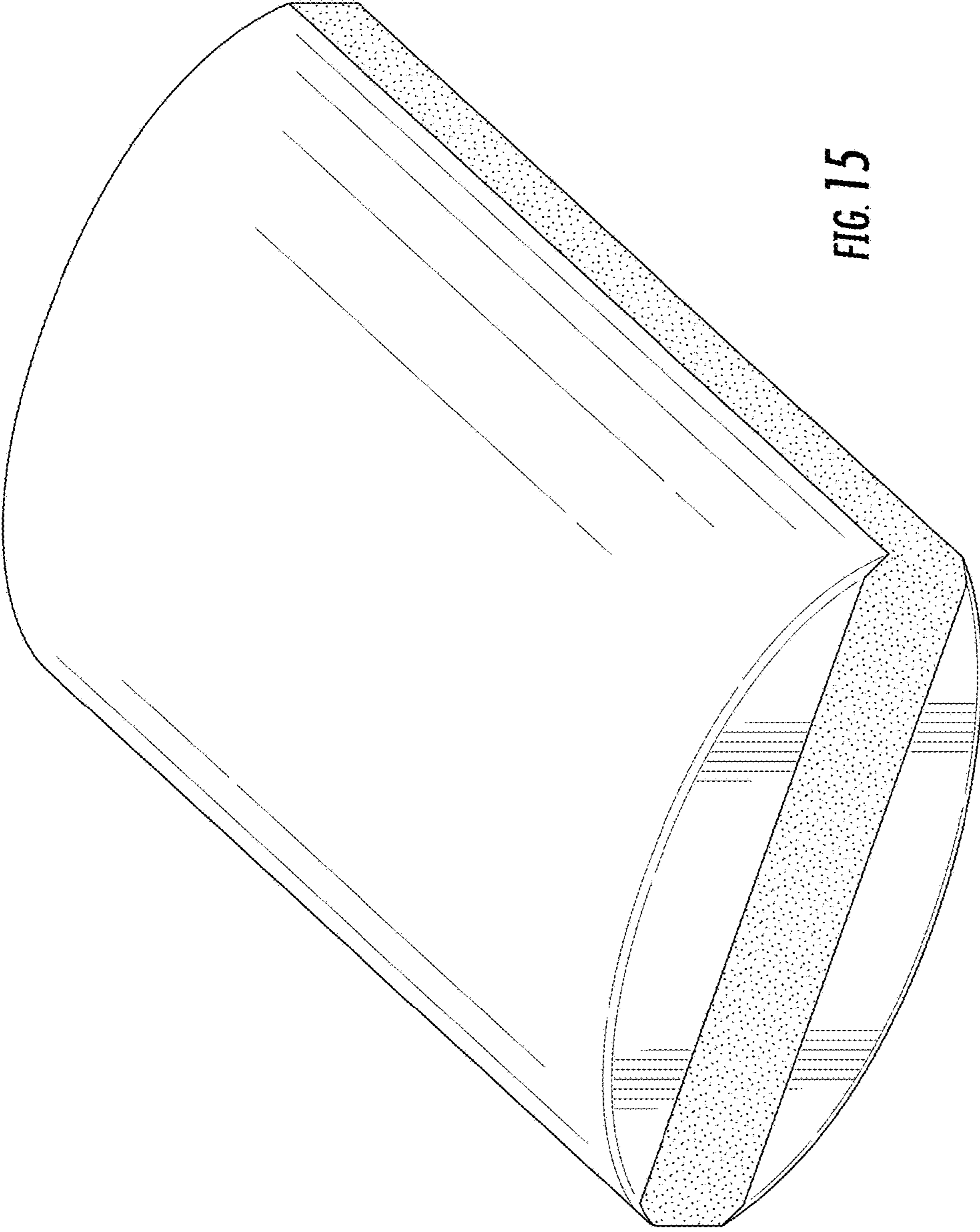
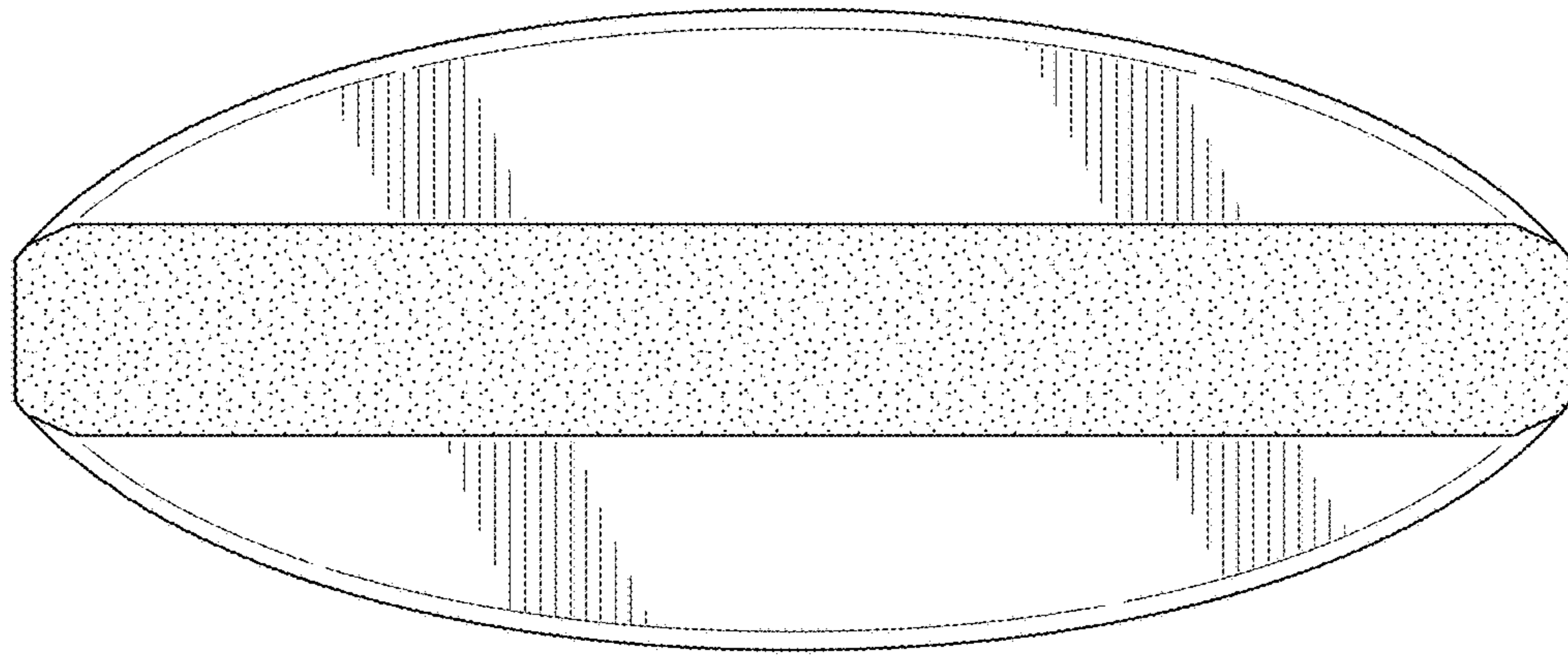
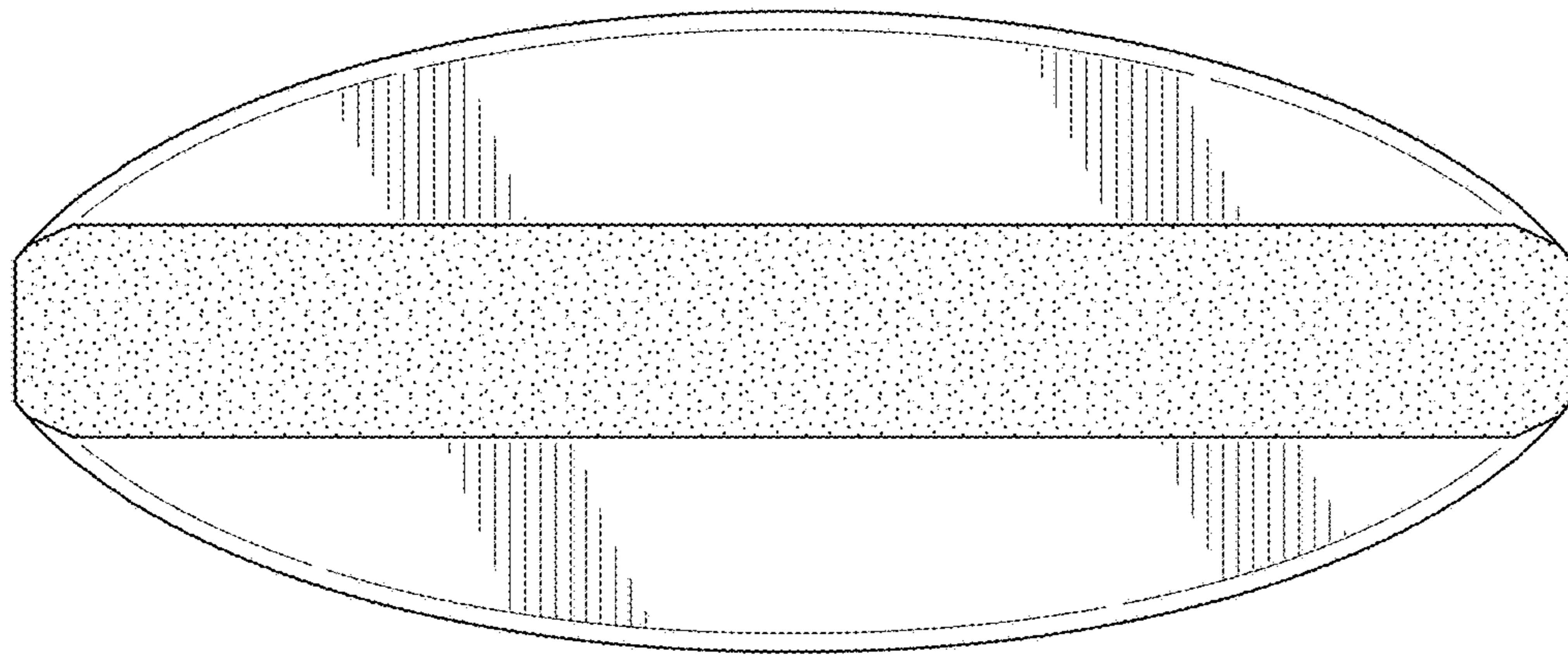


FIG. 15

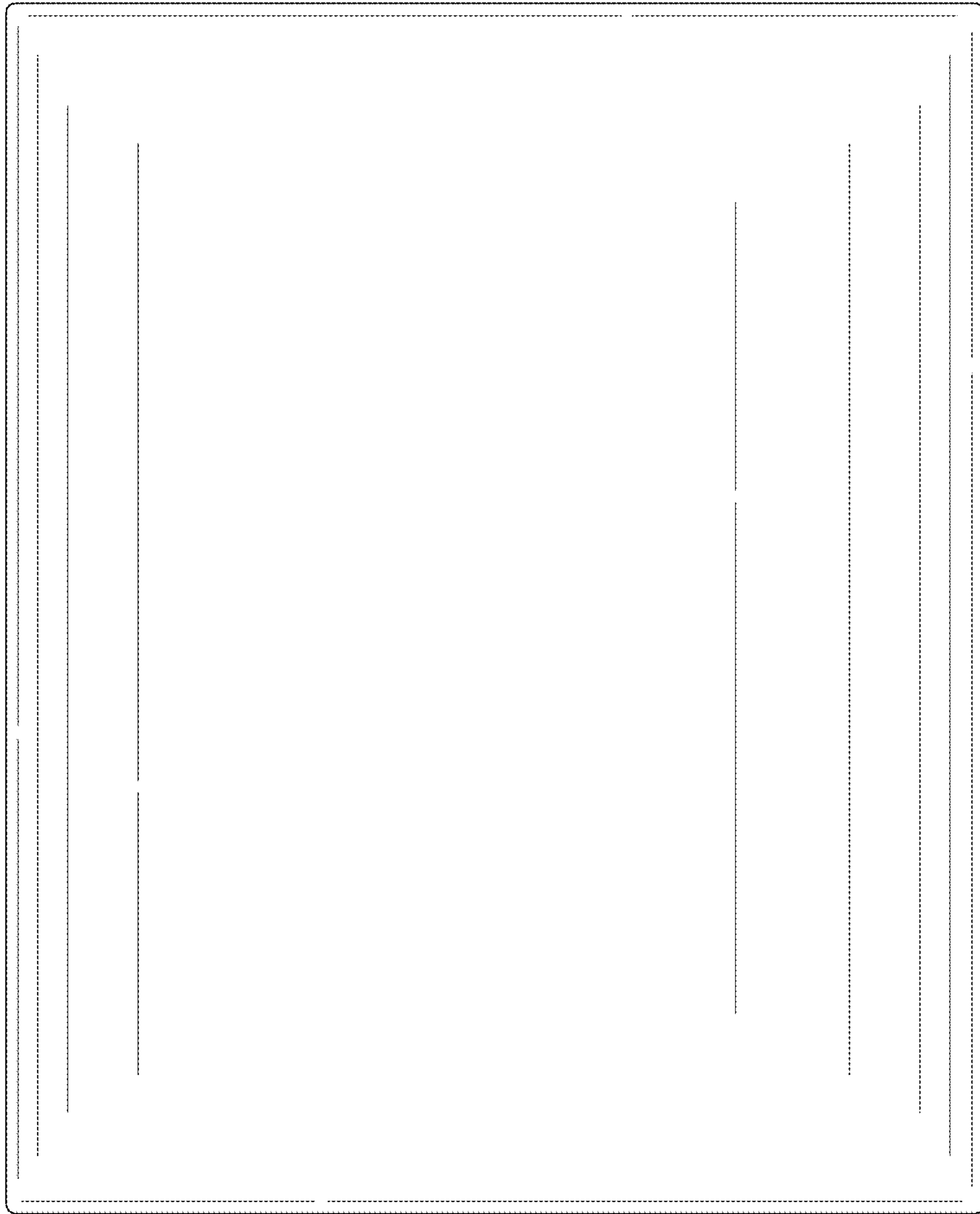


**FIG. 16**

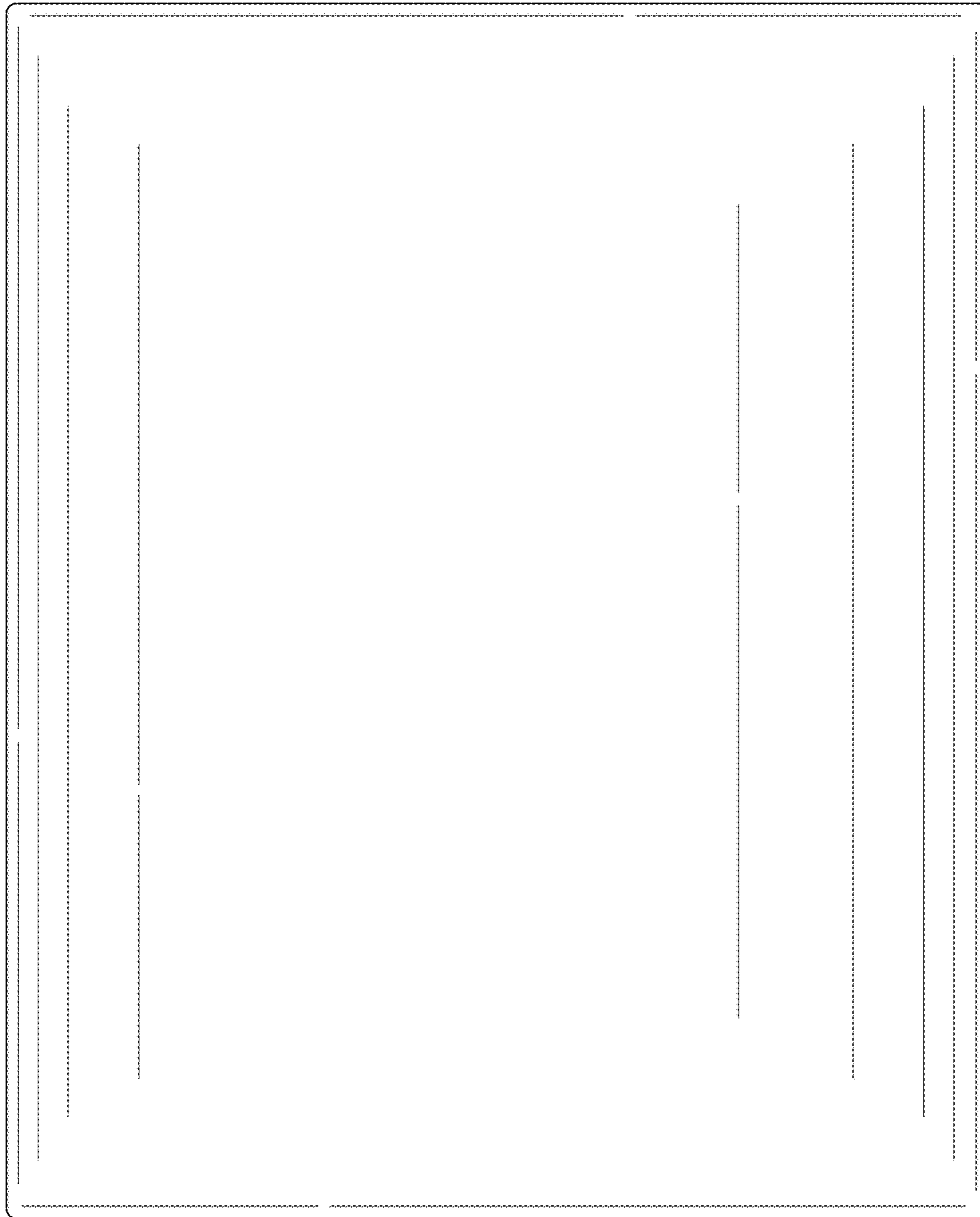


**FIG. 17**





**FIG. 18**



**FIG. 19**

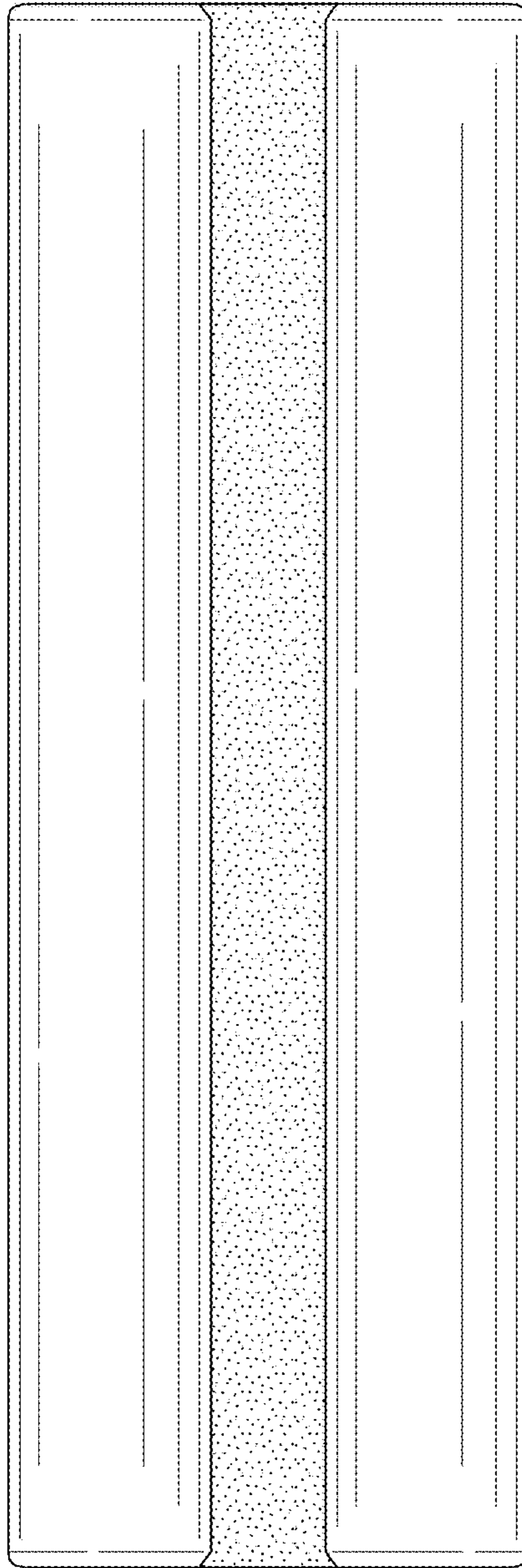


FIG. 20

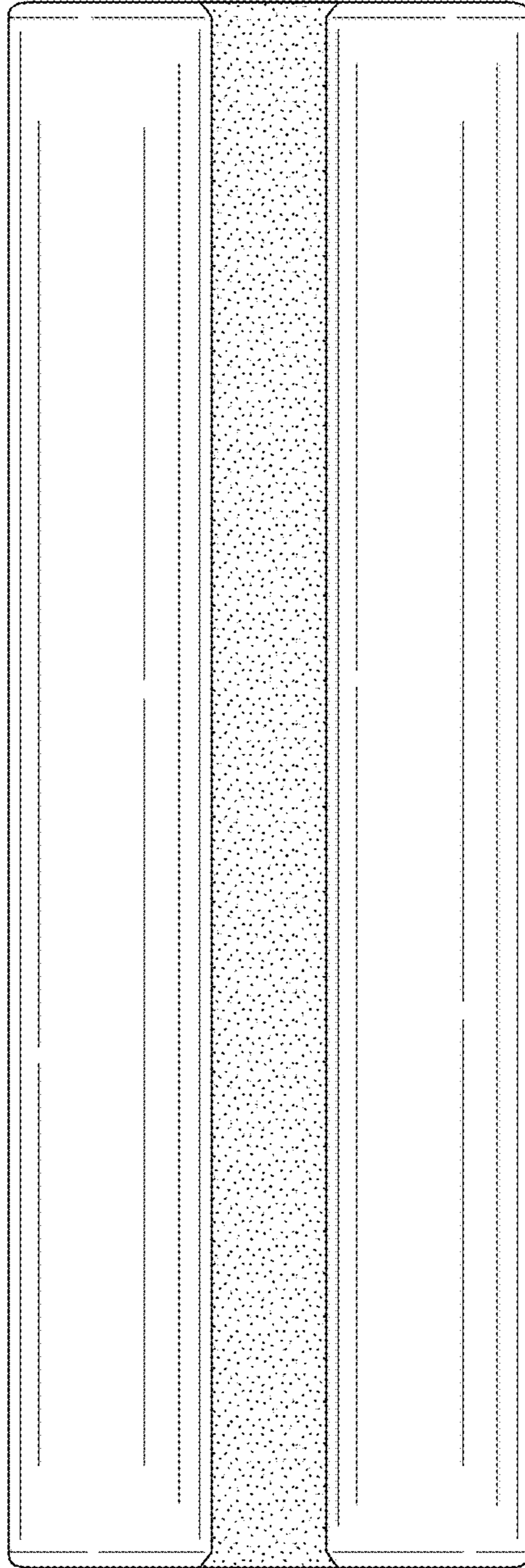


FIG. 21

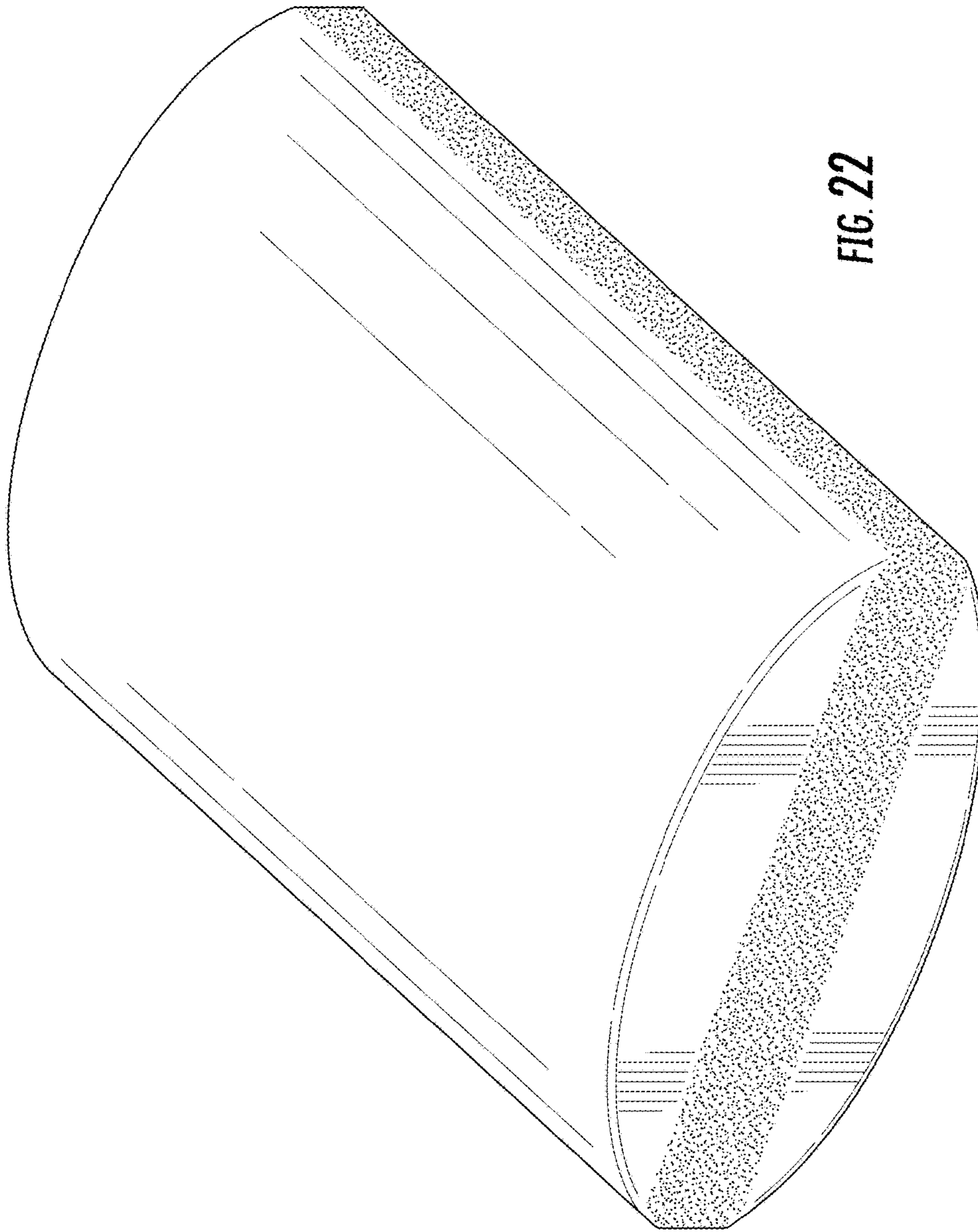
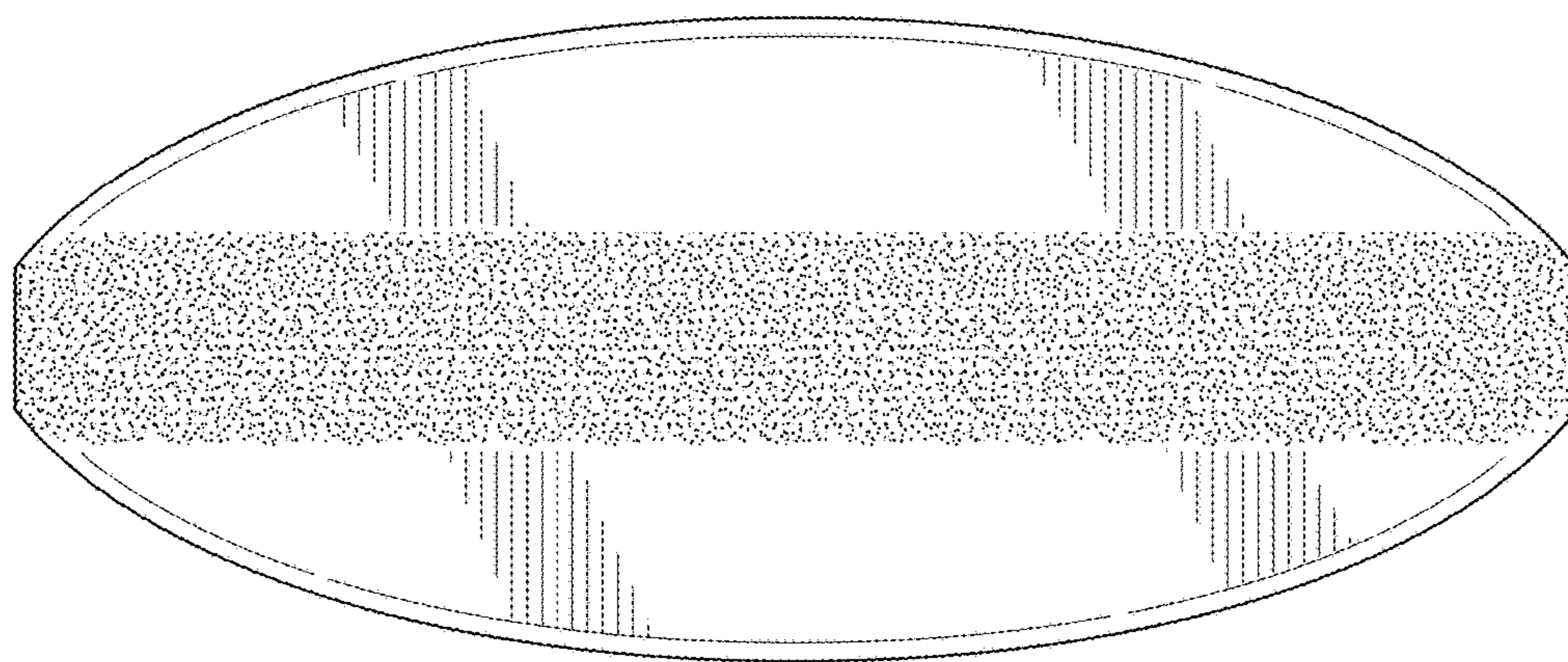
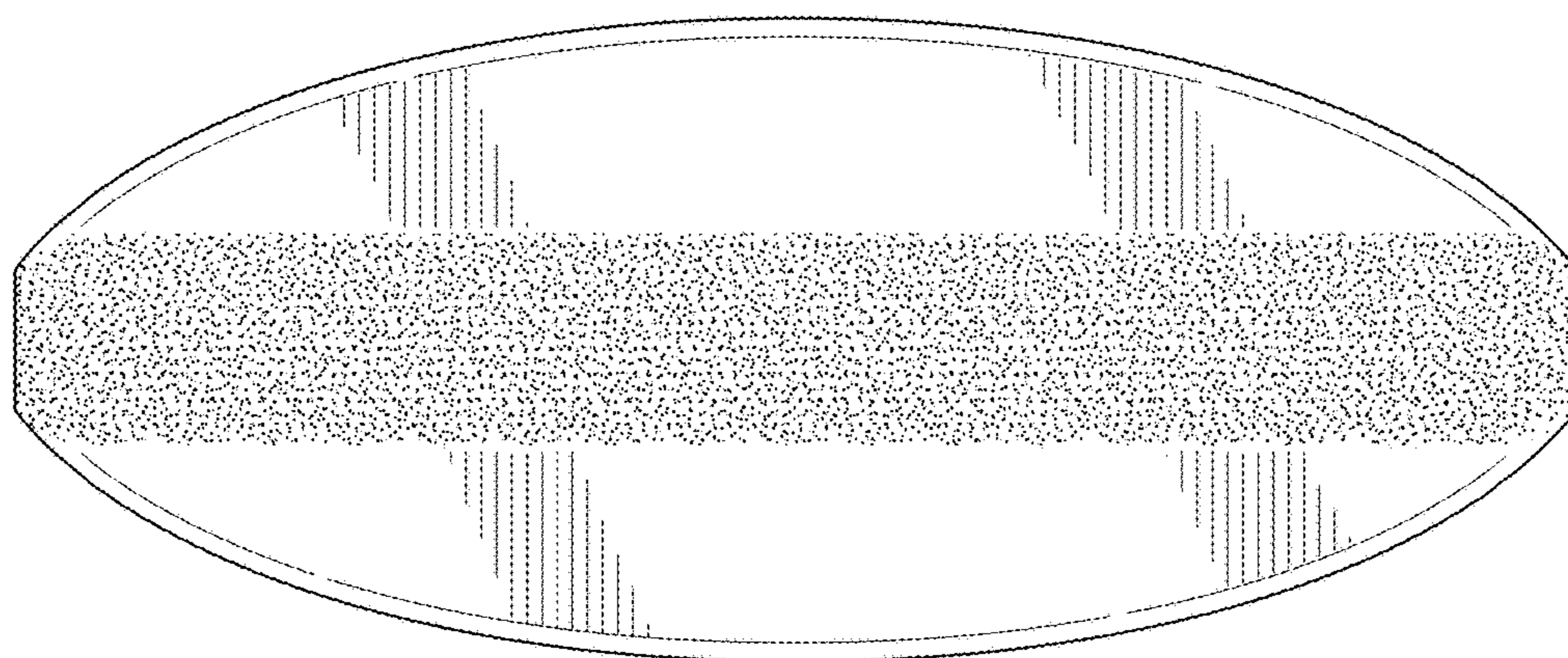


FIG. 22



**FIG. 23**



**FIG. 24**

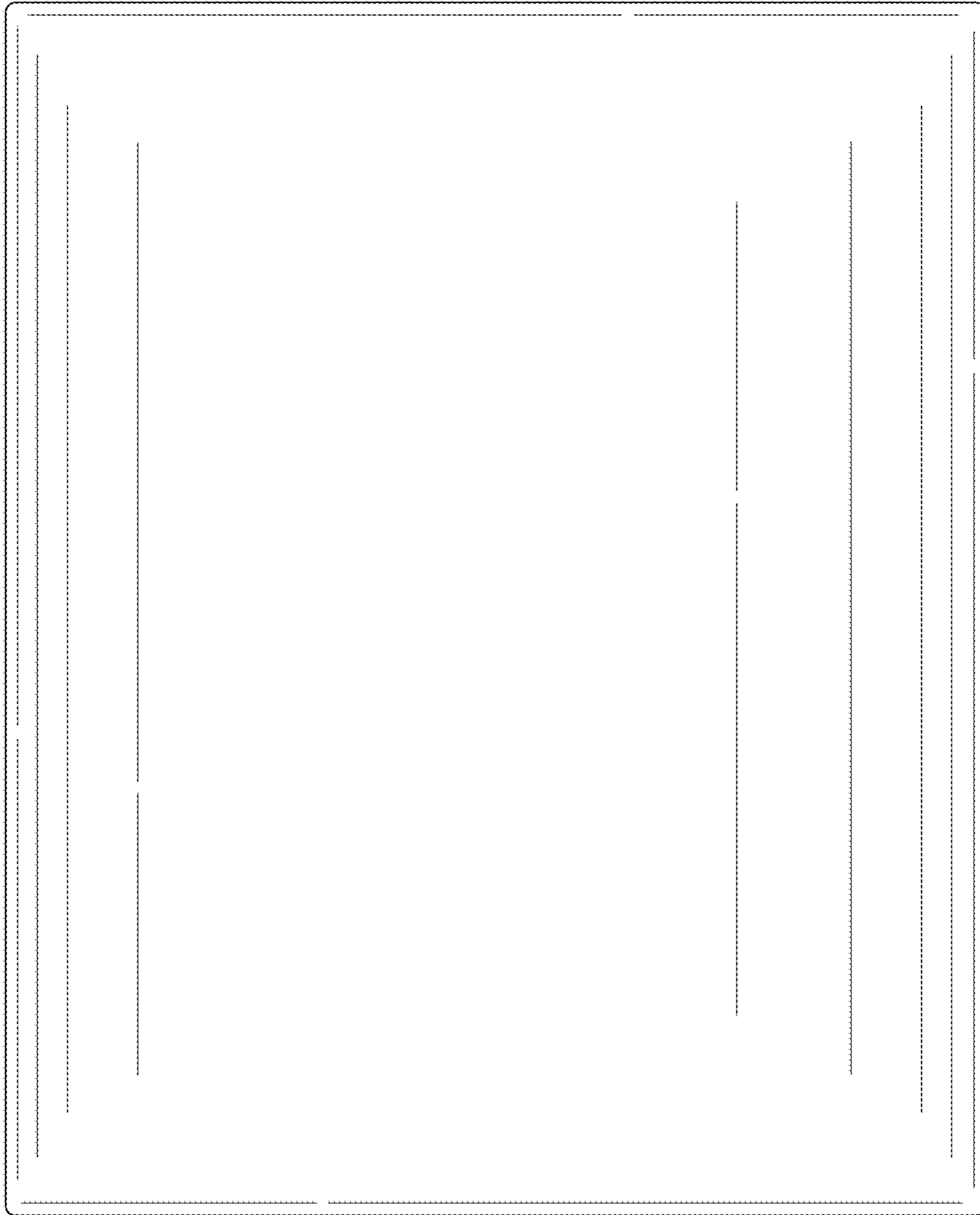


FIG. 25

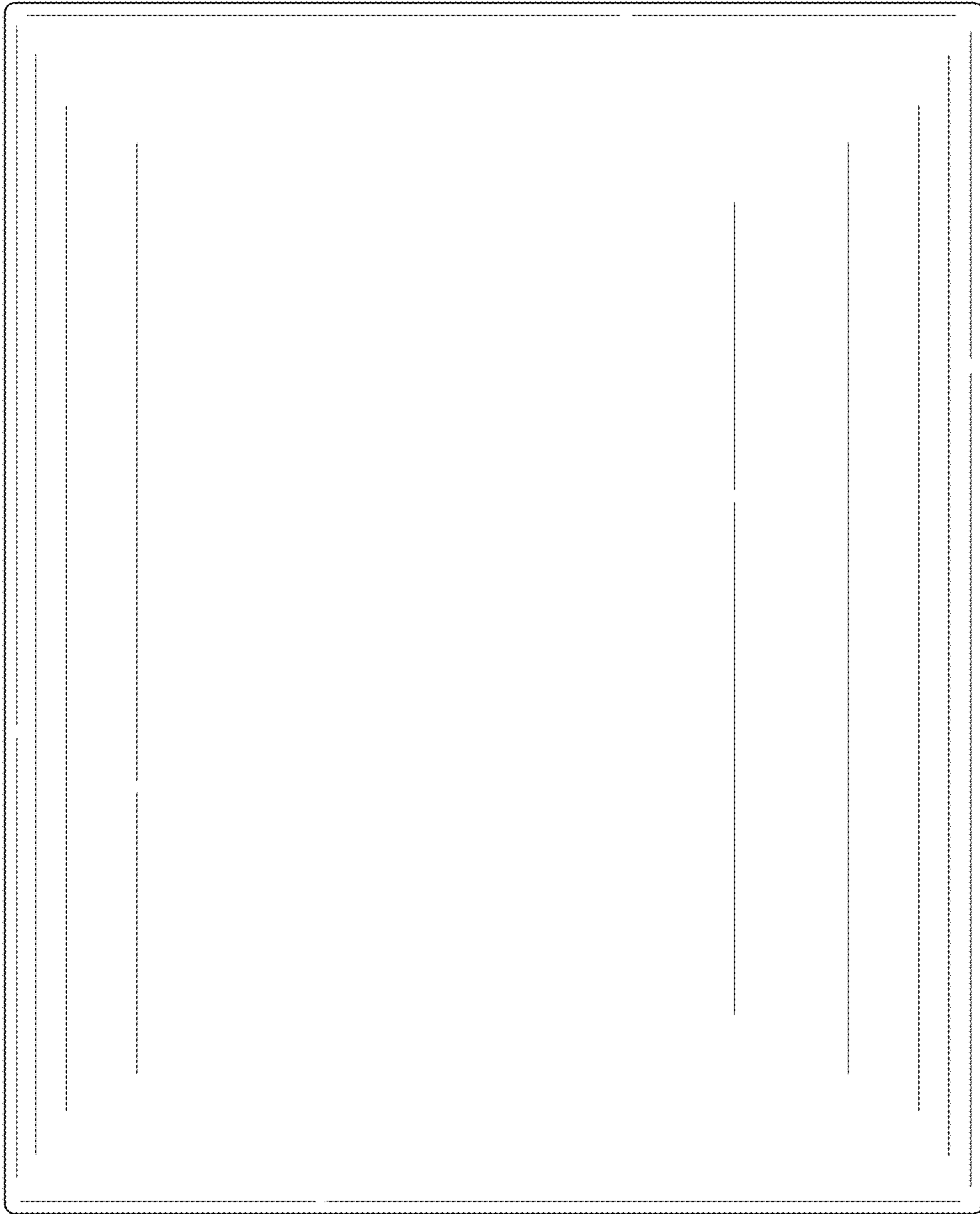
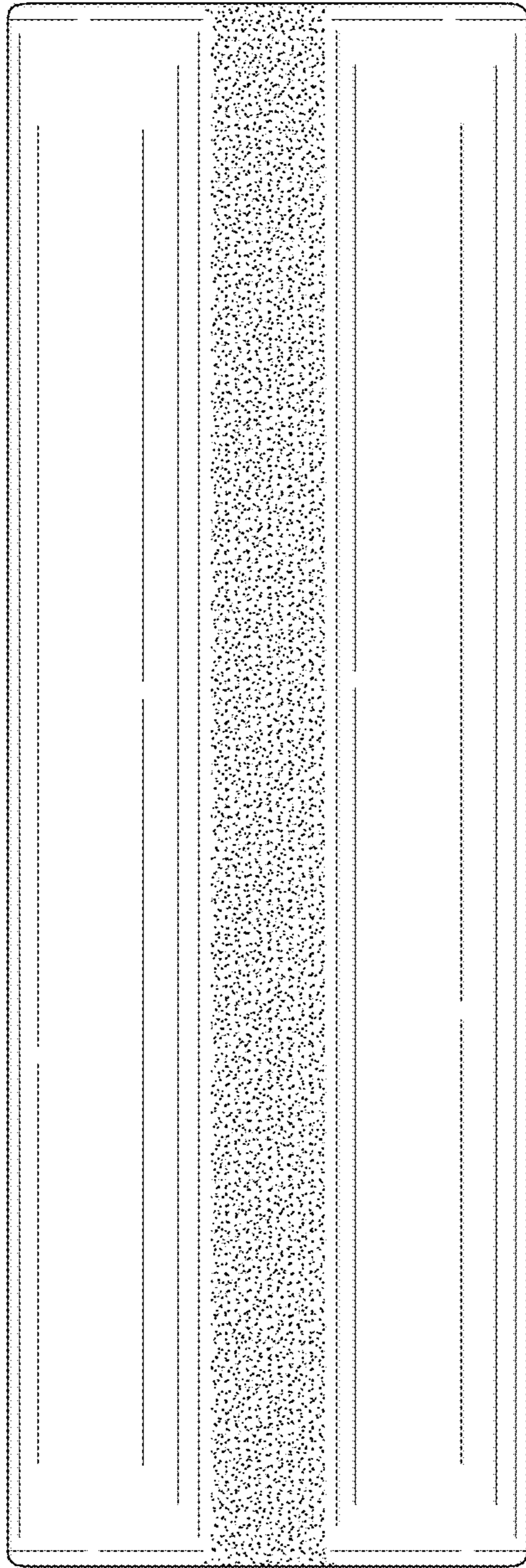


FIG. 26





*FIG. 27*

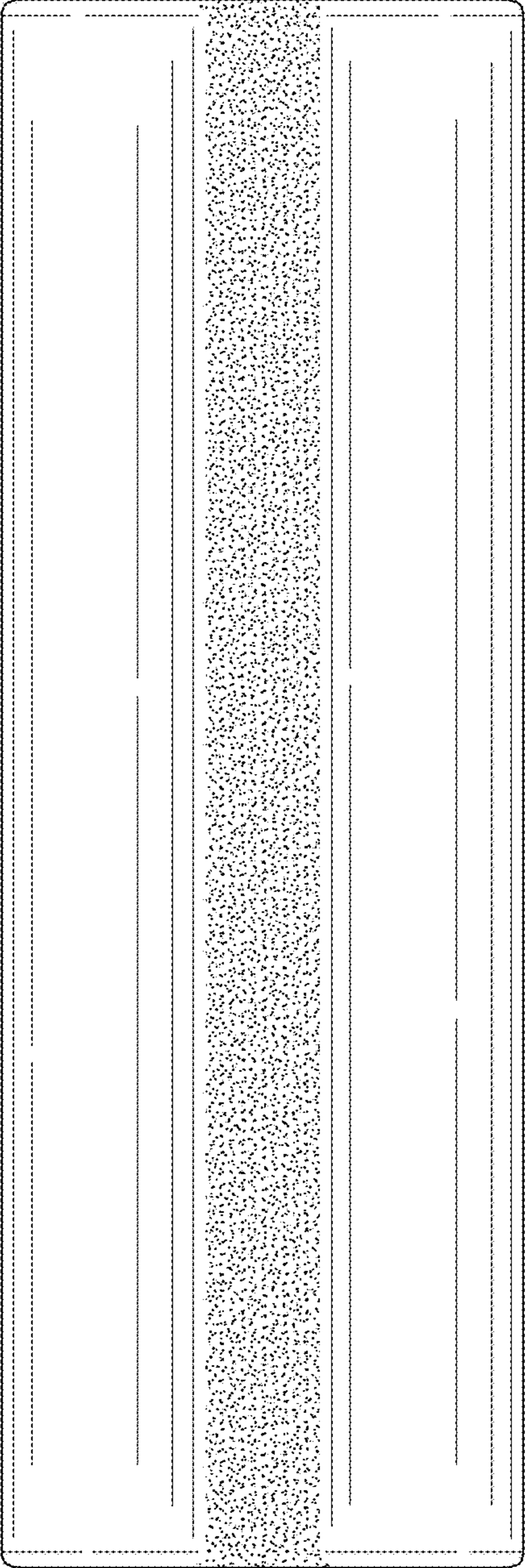


FIG. 28