



US00D863715S

(12) **United States Design Patent**  
**Lee et al.**

(10) **Patent No.:** **US D863,715 S**  
(45) **Date of Patent:** **\*\* Oct. 15, 2019**

(54) **CASSETTE HOLDER FOR USE IN AN  
AUTOMATED TELLER MACHINE**

(71) Applicant: **Nautilus Hyosung Inc.**, Seoul (KR)

(72) Inventors: **Hee Youn Lee**, Seongnam-si (KR); **Jae Min Cha**, Seongnam-si (KR); **Jae Min Park**, Anyang-si (KR)

(73) Assignee: **Hyosung TNS Inc.**, Seoul (KR)

(\*\*) Term: **15 Years**

(21) Appl. No.: **29/616,464**

(22) Filed: **Sep. 6, 2017**

(30) **Foreign Application Priority Data**

Mar. 7, 2017 (KR) ..... 30-2017-0010648

(51) **LOC (12) Cl.** ..... **99-00**

(52) **U.S. Cl.**  
USPC ..... **D99/43**

(58) **Field of Classification Search**

USPC .... D99/28, 43, 99; D14/900, 901, 902, 474,  
D14/475, 477, 483, 217; D3/201, 318,  
D3/328, 294; D10/104.1, 121; D18/3.1,  
D18/3.3, 12, 12.1, 40, 43, 44; 206/307,  
206/387.1, 387.11, 387.12, 387.13,  
206/387.14, 387.15

CPC ... G11B 23/02; G11B 23/023; G11B 23/0233;  
G11B 23/0236; G11B 23/04; G11B  
23/049; B65D 73/00; B65D 85/00

See application file for complete search history.

(56) **References Cited**

**U.S. PATENT DOCUMENTS**

4,271,961 A \* 6/1981 Blankenmeister ... G11B 23/023  
206/216  
4,337,393 A \* 6/1982 Hilton ..... G07D 11/0006  
235/385

4,438,704 A \* 3/1984 Hutcheon ..... G07D 11/0009  
109/44  
4,529,118 A \* 7/1985 Granzow ..... E05G 5/006  
109/43  
4,529,119 A \* 7/1985 Granzow ..... E05G 5/006  
109/43  
4,816,652 A \* 3/1989 Wildgoose ..... G07D 11/0012  
235/379  
D307,918 S \* 5/1990 Goda ..... D18/12  
4,960,205 A \* 10/1990 Wang ..... G11B 23/02  
206/307.1  
5,022,516 A \* 6/1991 Urban ..... G11B 23/02  
206/308.3

(Continued)

*Primary Examiner* — Elizabeth J Oswecki

(74) *Attorney, Agent, or Firm* — Fish & Richardson P.C.

(57) **CLAIM**

The ornamental design for a cassette holder for use in an automated teller machine, as shown and described.

**DESCRIPTION**

FIG. 1 is a front and right side perspective view of a cassette holder for use in an automated teller machine showing our new design;

FIG. 2 is a front elevational view thereof;

FIG. 3 is a rear elevational view thereof;

FIG. 4 is a left side elevational view thereof;

FIG. 5 is a right side elevational view thereof;

FIG. 6 is a top plan view thereof;

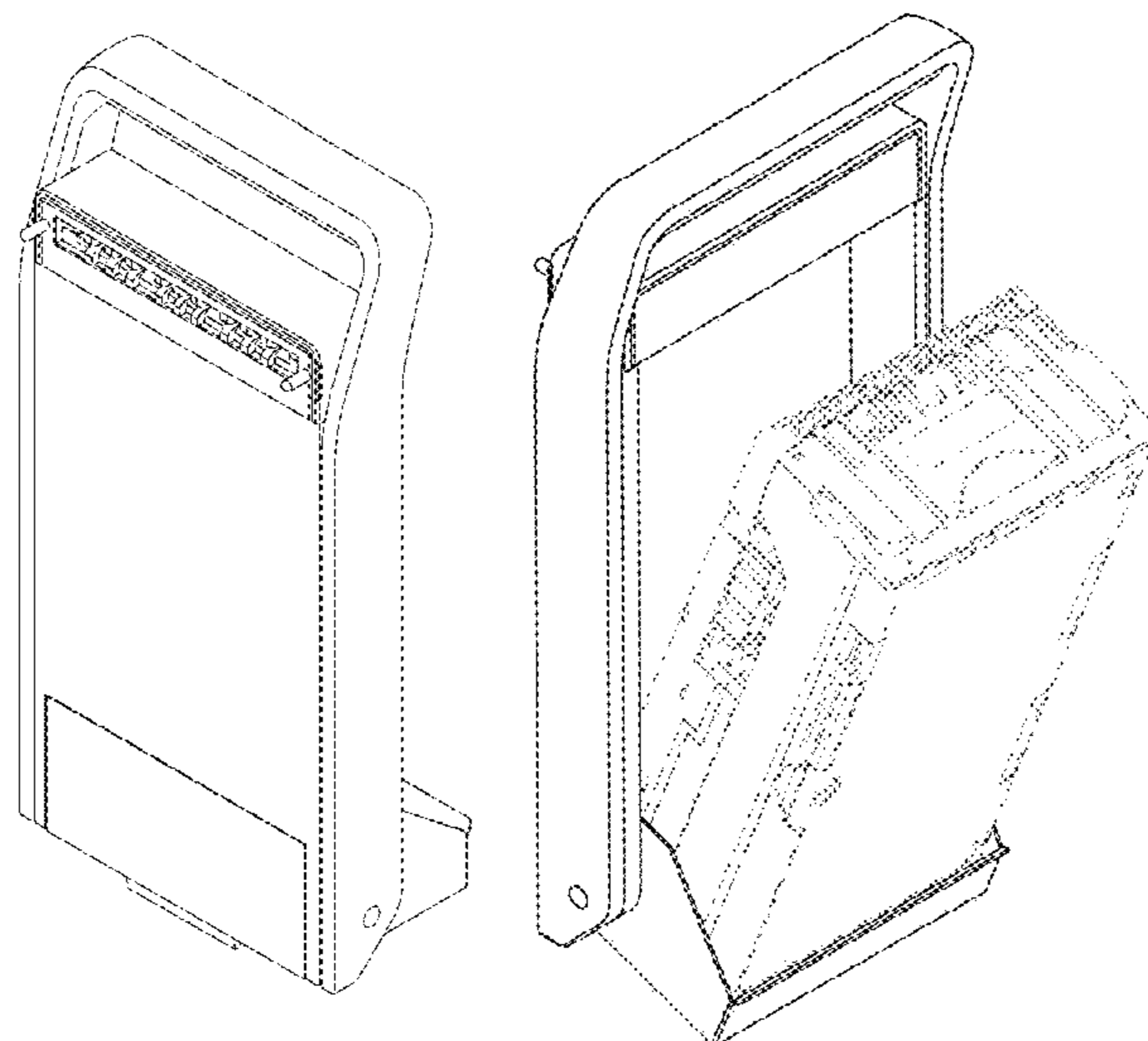
FIG. 7 is a bottom plan view thereof;

FIG. 8 is a perspective view thereof, shown in a used condition with a cassette shown in broken lines; and,

FIG. 9 is a perspective view thereof, shown in a used condition with a cassette and ATM shown in broken lines.

The broken lines shown in the drawings represent portions of the cassette holder for use in an automated teller machine, that form no part of the claimed design.

**1 Claim, 8 Drawing Sheets**



(56)

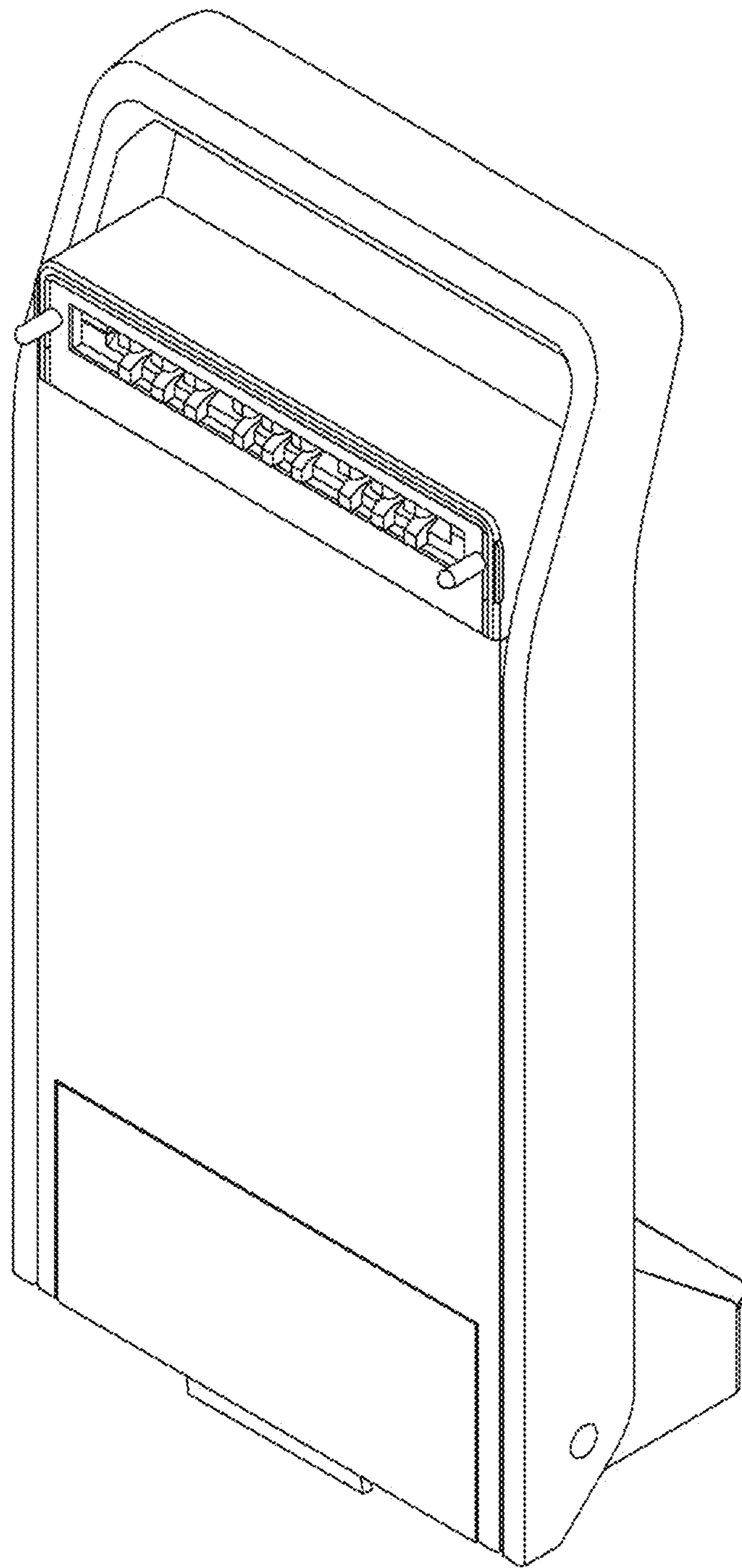
**References Cited**

U.S. PATENT DOCUMENTS

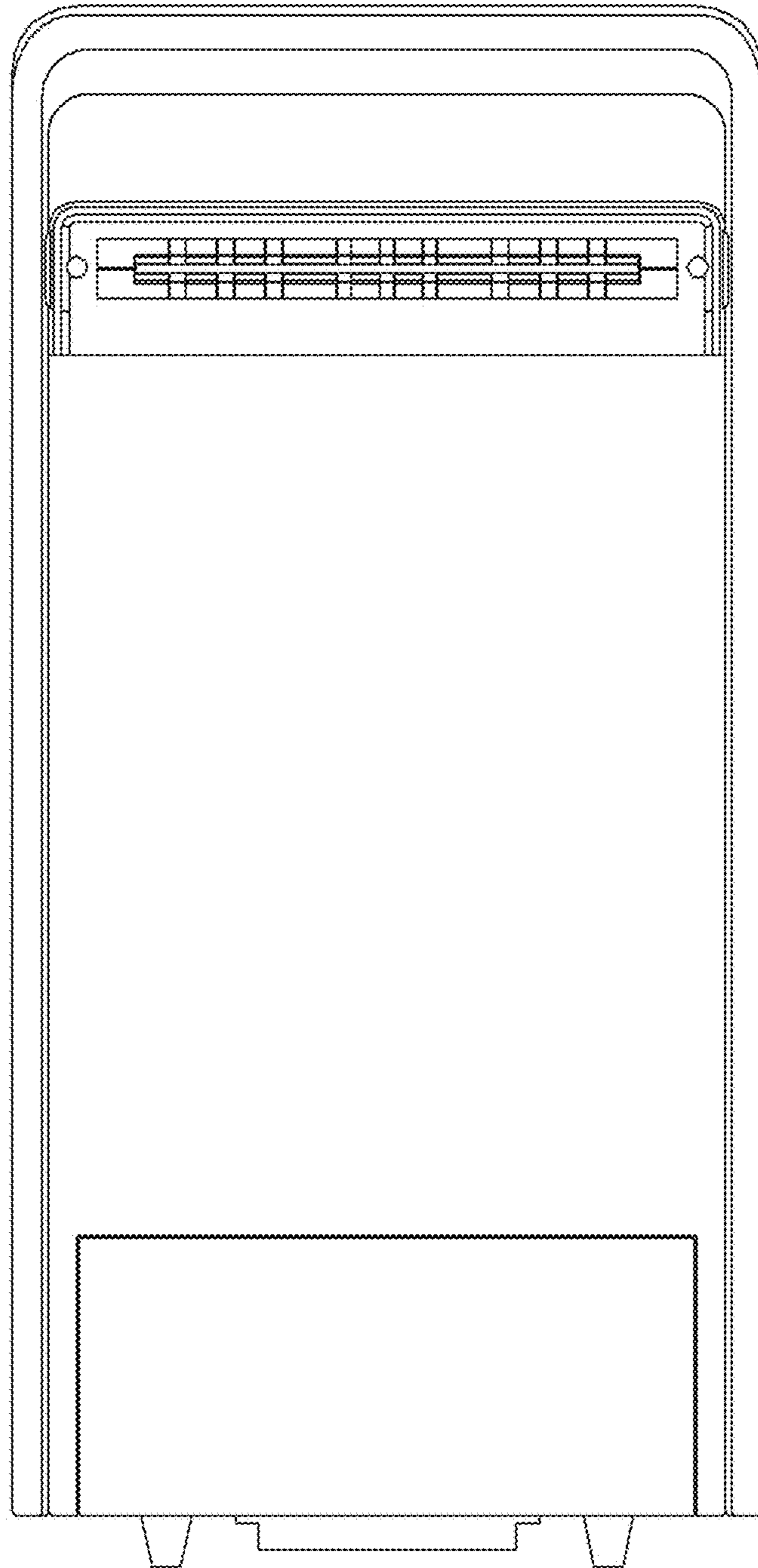
5,069,358 A \* 12/1991 Avery, Jr. .... E05G 1/024  
109/84  
5,105,364 A \* 4/1992 Kawamura ..... G07D 11/0006  
700/219  
5,251,749 A \* 10/1993 Knight ..... A47B 47/04  
206/307.1  
D374,028 S \* 9/1996 Sato ..... D18/12.1  
5,651,456 A \* 7/1997 Gunning ..... G11B 23/02  
206/307.1  
5,836,510 A \* 11/1998 Kirchner ..... G07D 11/0009  
232/15  
5,871,209 A \* 2/1999 Orchard ..... B65H 1/025  
271/149  
5,915,802 A \* 6/1999 Siler ..... E05B 65/467  
109/47  
6,446,817 B1 \* 9/2002 Stitt ..... G11B 15/682  
211/134  
7,509,015 B2 \* 3/2009 Murano ..... G02B 6/4453  
135/134

\* cited by examiner

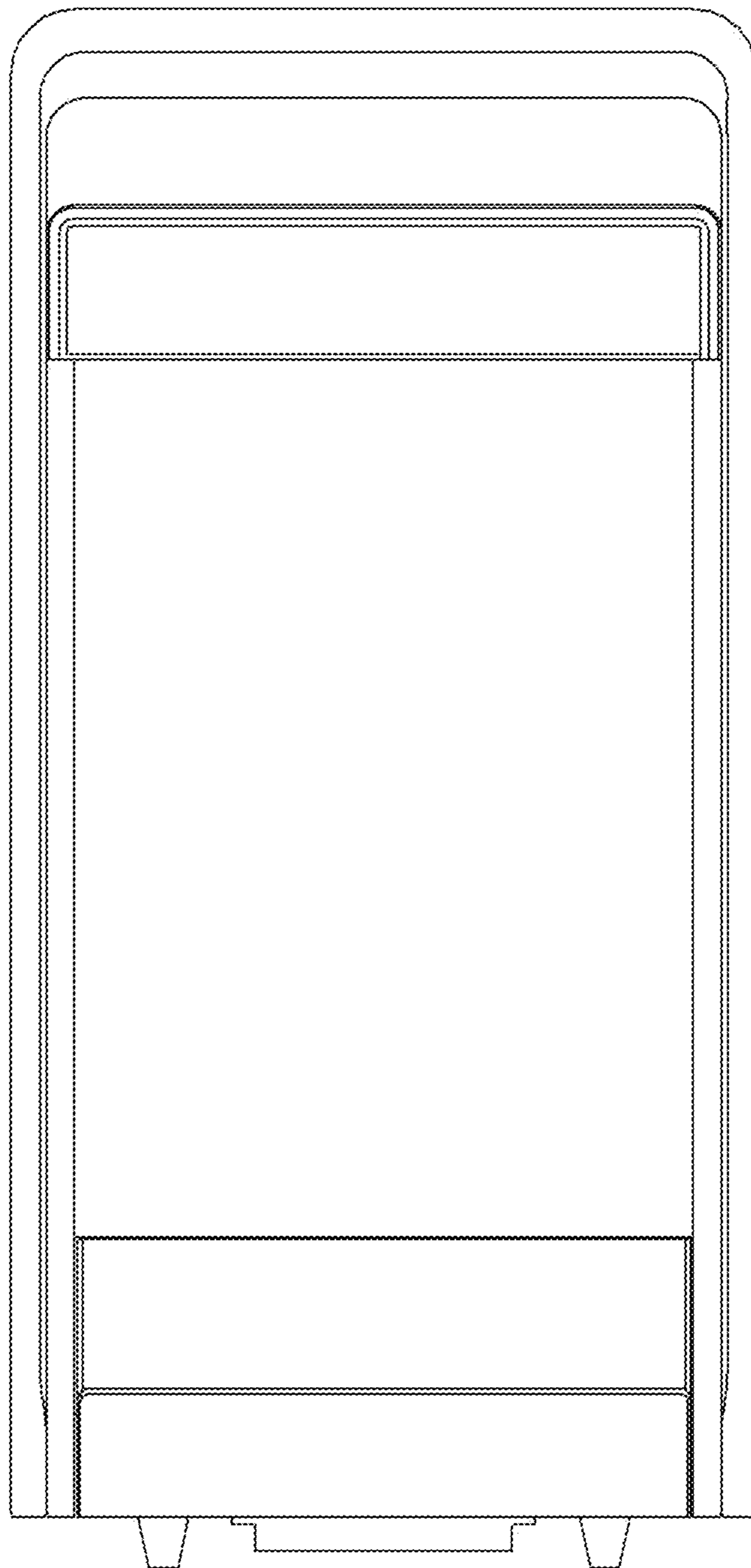
*FIG. 1*



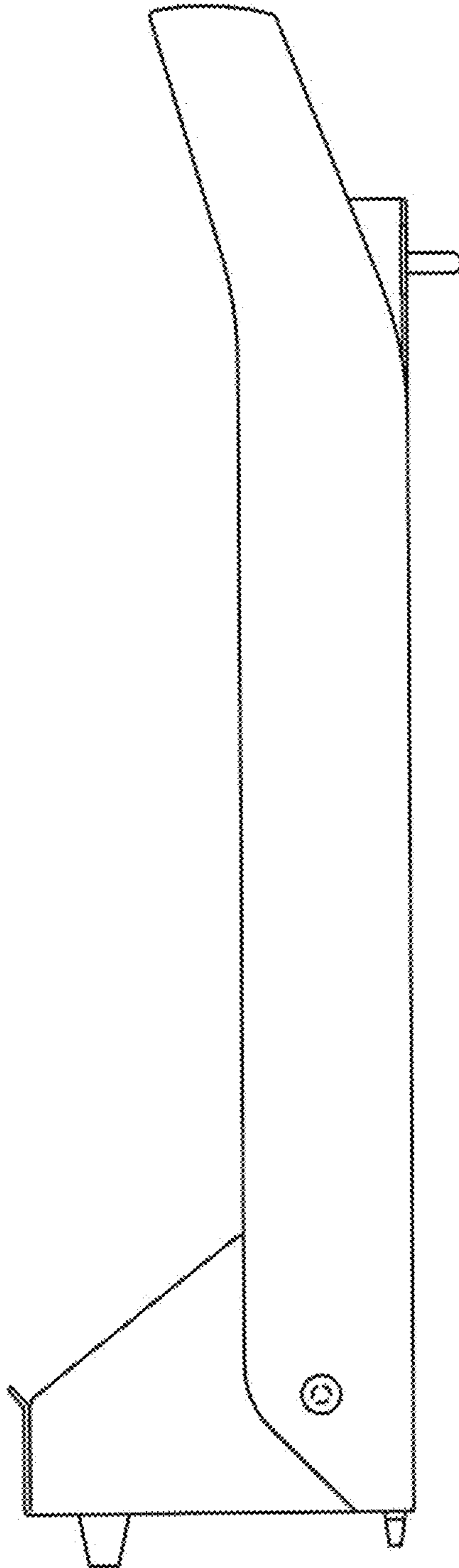
*FIG. 2*



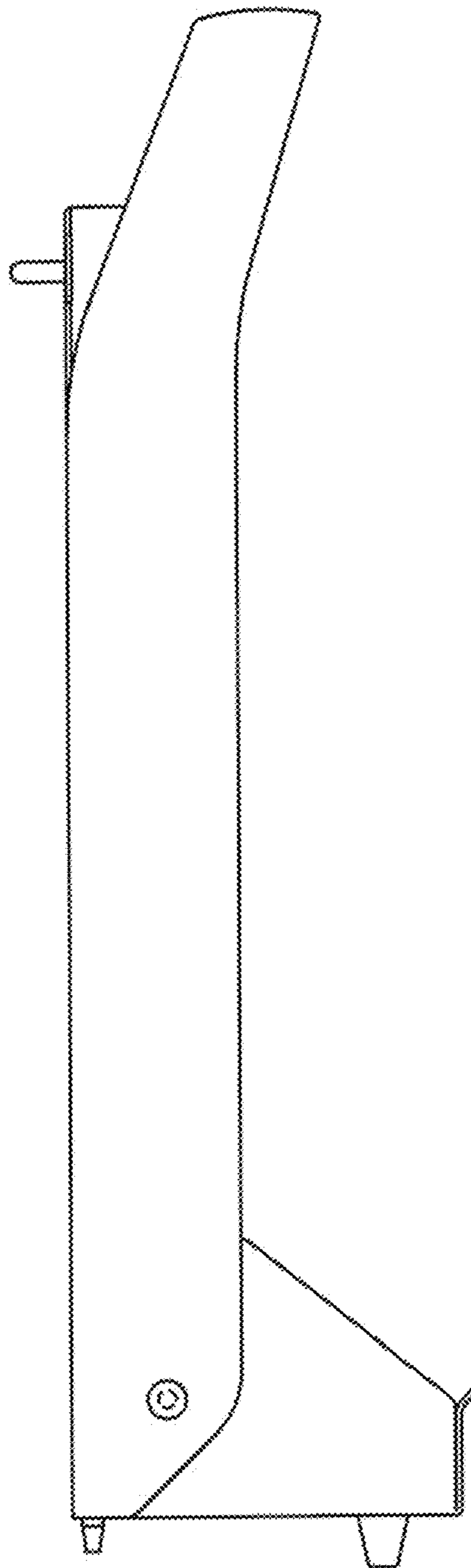
*FIG. 3*



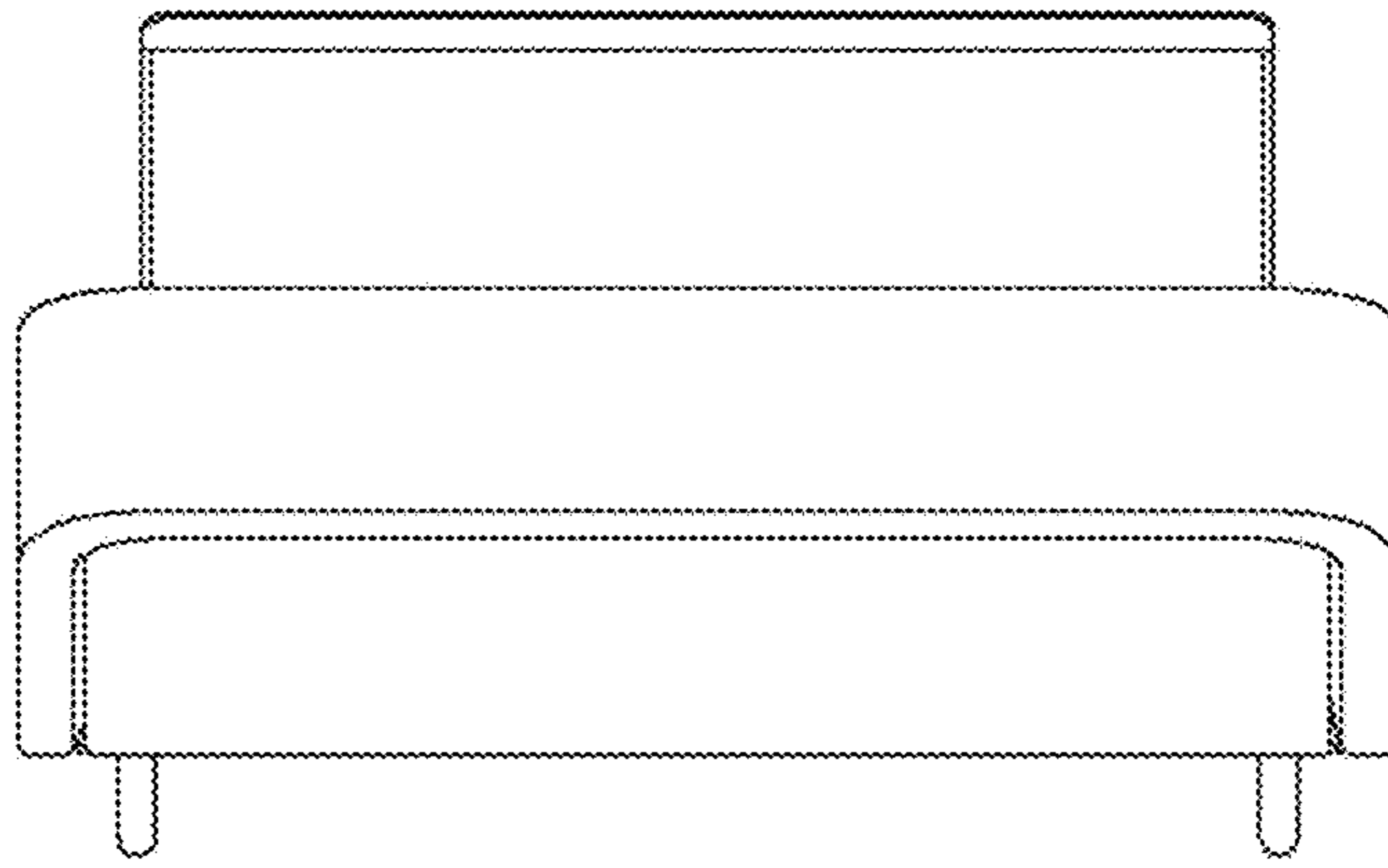
**FIG. 4**



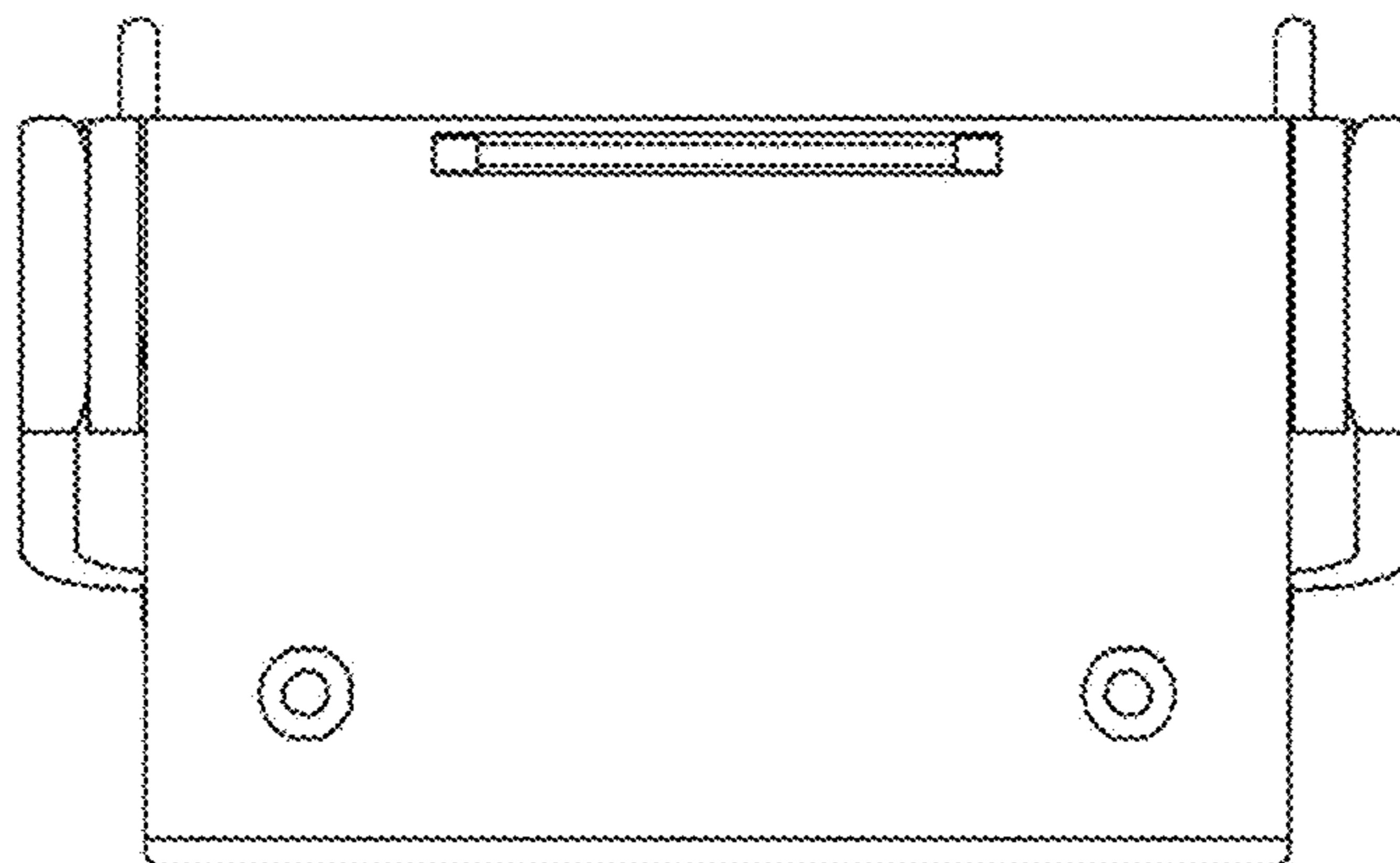
**FIG. 5**



*FIG. 6*

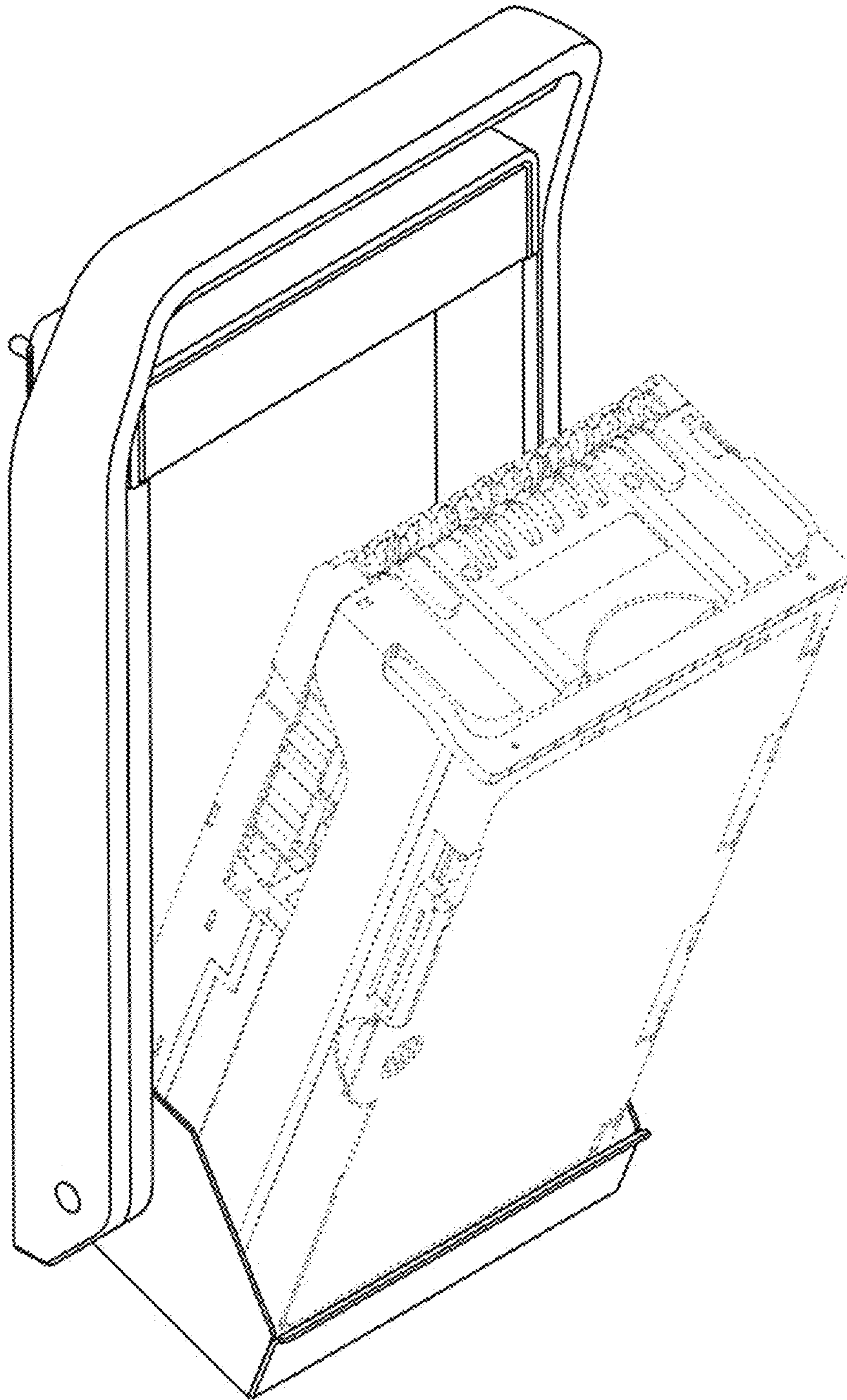


*FIG. 7*





**FIG. 8**



**FIG. 9**

